



US00D758929S

(12) **United States Design Patent**
Rupar

(10) **Patent No.:** **US D758,929 S**
(45) **Date of Patent:** **** Jun. 14, 2016**

(54) **VEHICLE FRONT BUMPER COVER**

(71) Applicant: **Ford Motor Company**, Dearborn, MI
(US)

(72) Inventor: **Ernesto Rupar**, Cologne (DE)

(73) Assignee: **Ford Motor Company**, Dearborn, MI
(US)

(**) Term: **14 Years**

(21) Appl. No.: **29/519,973**

(22) Filed: **Mar. 10, 2015**

(51) **LOC (10) Cl.** **12-16**

(52) **U.S. Cl.**
USPC **D12/169**

(58) **Field of Classification Search**
USPC D12/169, 216, 90-92, 86, 171, 196,
D12/163; 293/102, 113, 115, 117, 120;
296/180.1, 180.2
CPC . B60R 19/52; B60R 2019/25; B62D 25/0845
See application file for complete search history.

(56) **References Cited**

U.S. PATENT DOCUMENTS

D613,650 S *	4/2010	Tamatani	D12/169
D614,094 S *	4/2010	Lamm	D12/169
D616,343 S *	5/2010	Fukui	D12/169
D634,679 S *	3/2011	Lamm	D12/169
D636,304 S *	4/2011	Yamaji	D12/169

D647,440 S *	10/2011	Murakawa	D12/169
D662,866 S *	7/2012	Fukui	D12/169
D664,901 S *	8/2012	Futschik	D12/169
D664,902 S *	8/2012	Platto	D12/169
D665,711 S *	8/2012	Matsuno	D12/169
D677,200 S *	3/2013	Hamilton	D12/169
D680,922 S *	4/2013	Jara	D12/169
D695,654 S *	12/2013	Kobayashi	D12/169
D699,165 S *	2/2014	Rupar	D12/169
D701,801 S *	4/2014	Campbell	D12/169
D708,998 S *	7/2014	Mays	D12/169
D718,677 S *	12/2014	Whang	D12/169
D727,225 S *	4/2015	Rupar	D12/169

* cited by examiner

Primary Examiner — Melody N Brown

(74) *Attorney, Agent, or Firm* — Damian Porcari

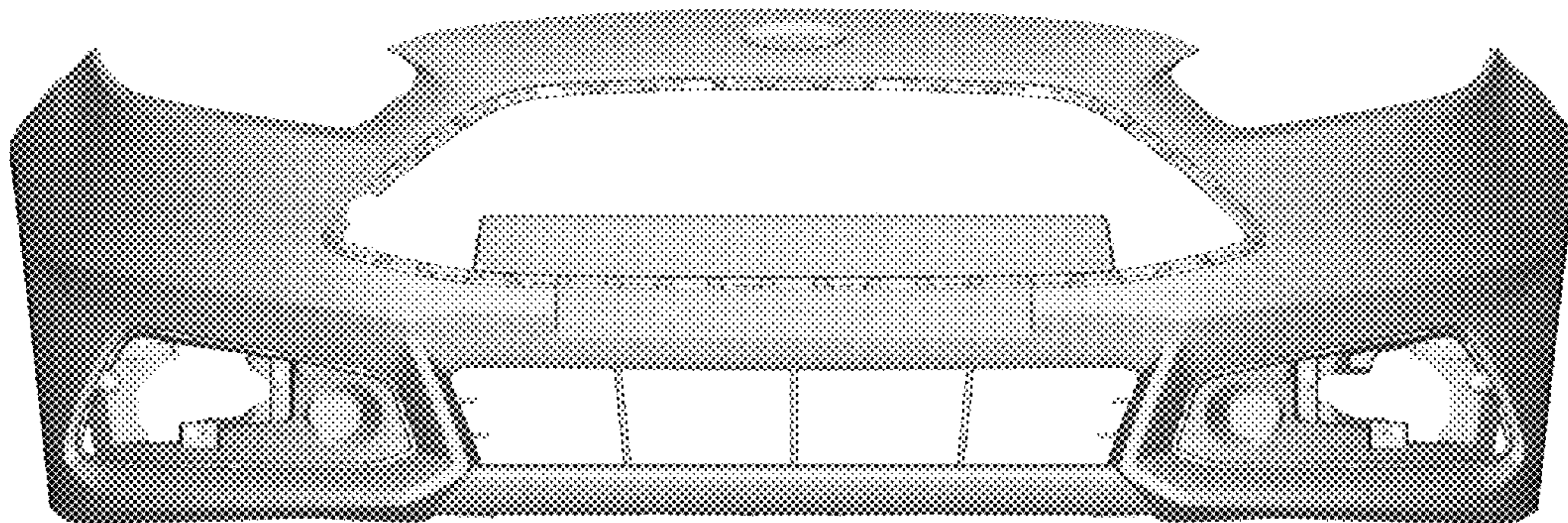
(57) **CLAIM**

The ornamental design for a vehicle front bumper cover, as shown and described.

DESCRIPTION

FIG. 1 is a top left perspective view of a vehicle front bumper cover;
FIG. 2 is a top right perspective view thereof;
FIG. 3 is a top rear perspective view thereof;
FIG. 4 is a front elevational view thereof;
FIG. 5 is a rear elevational view thereof;
FIG. 6 is a left side elevational view thereof;
FIG. 7 is a right side elevational view thereof;
FIG. 8 is a top plan view thereof; and,
FIG. 9 is a bottom plan view thereof.

1 Claim, 9 Drawing Sheets



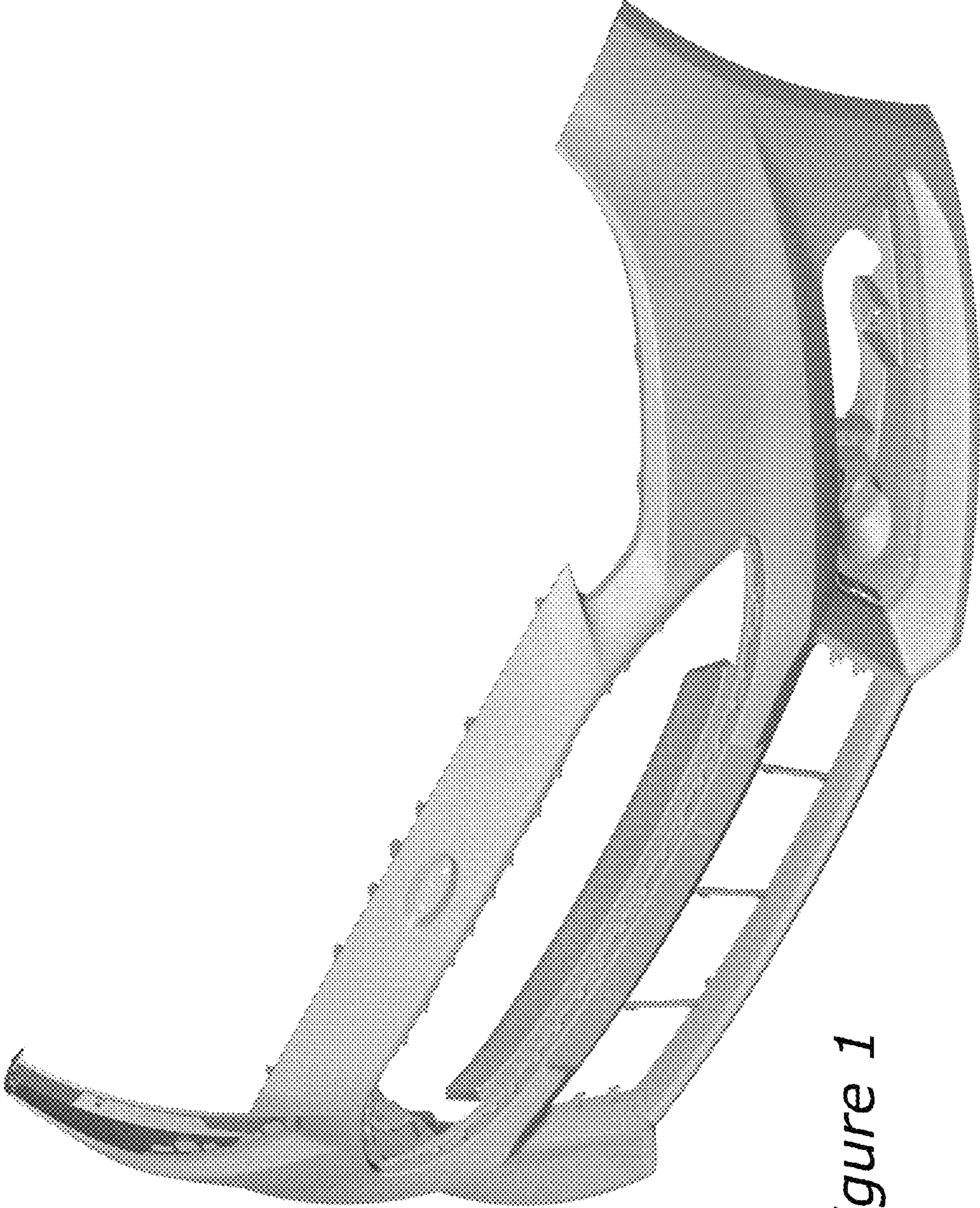


Figure 1

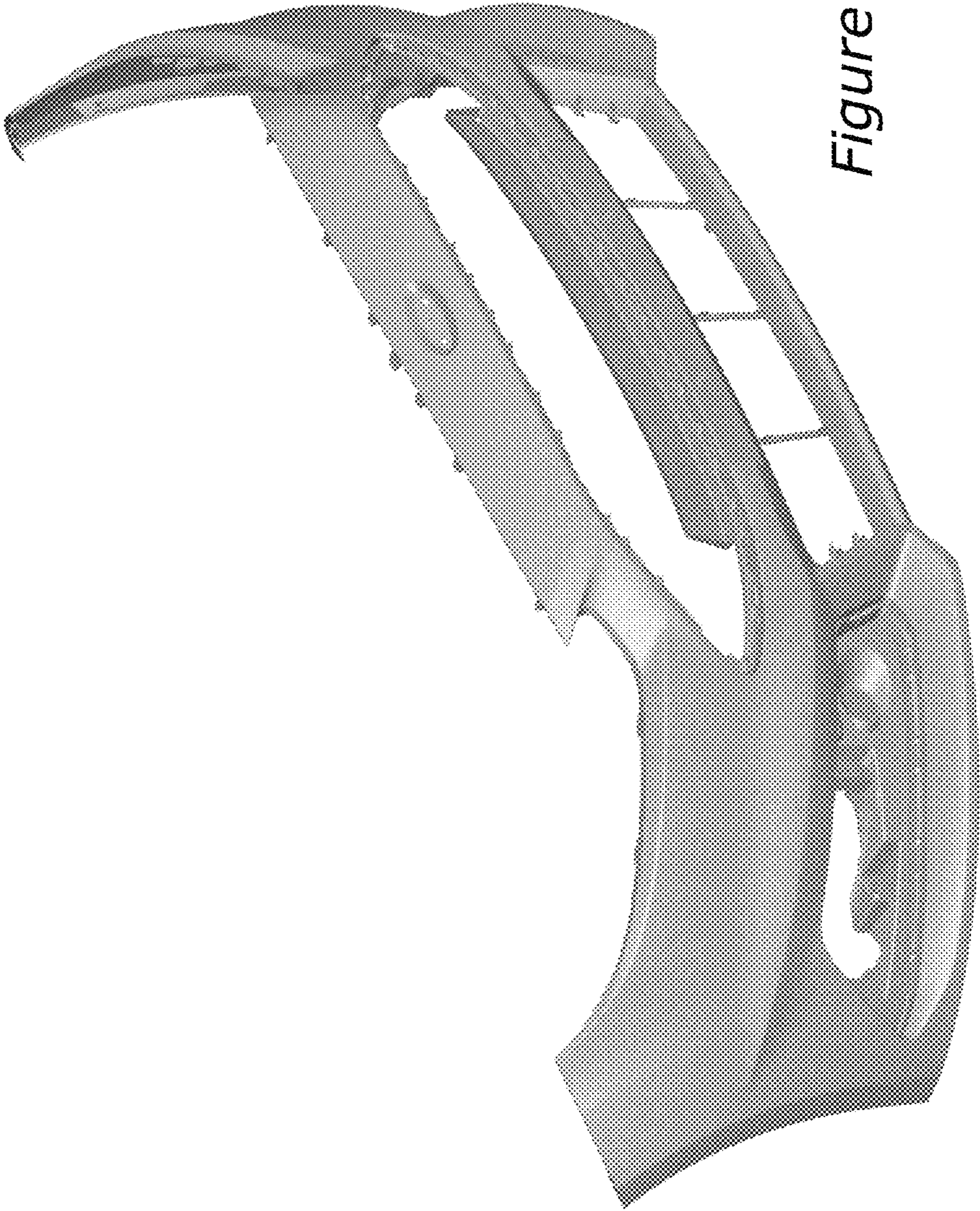


Figure 2

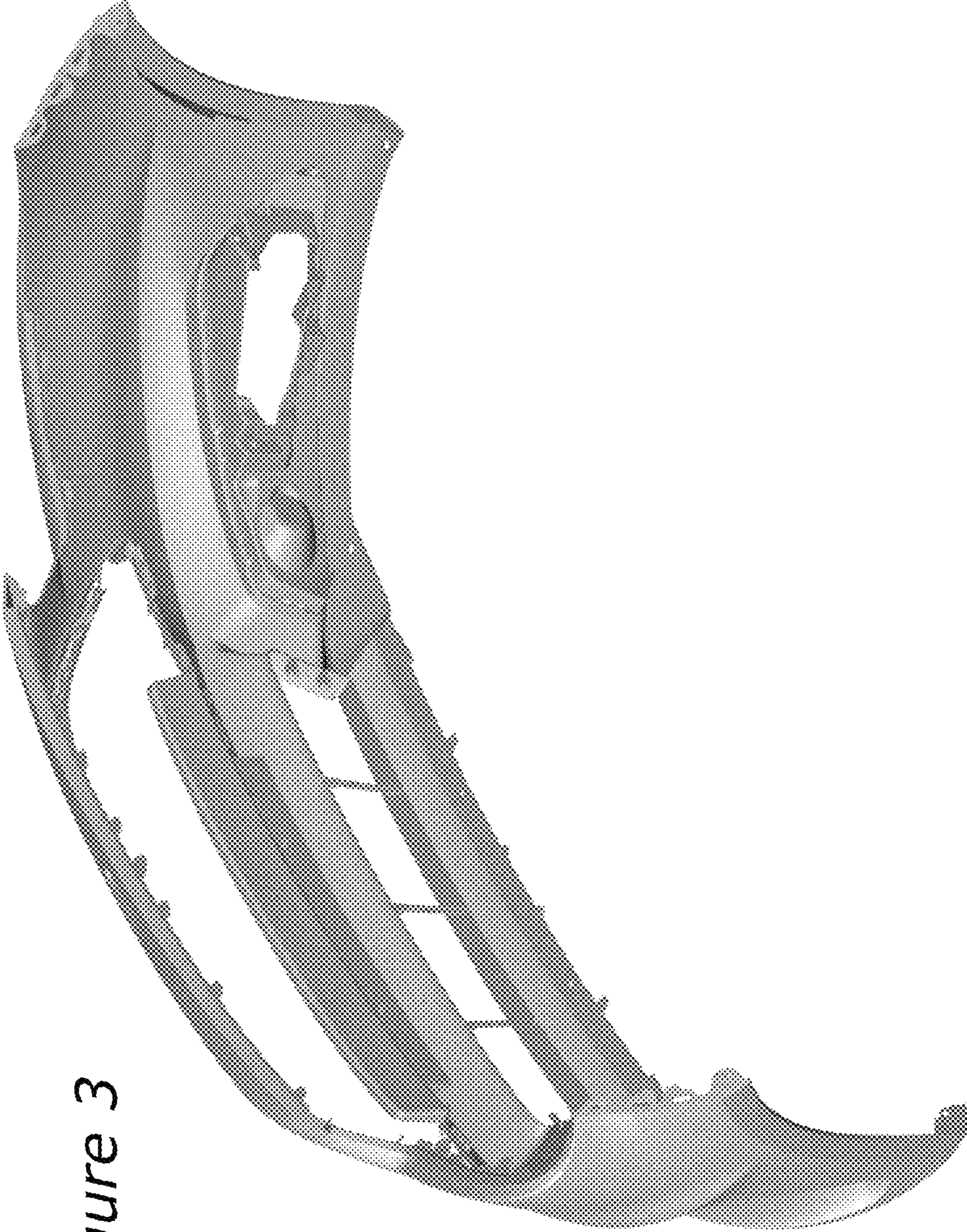


Figure 3

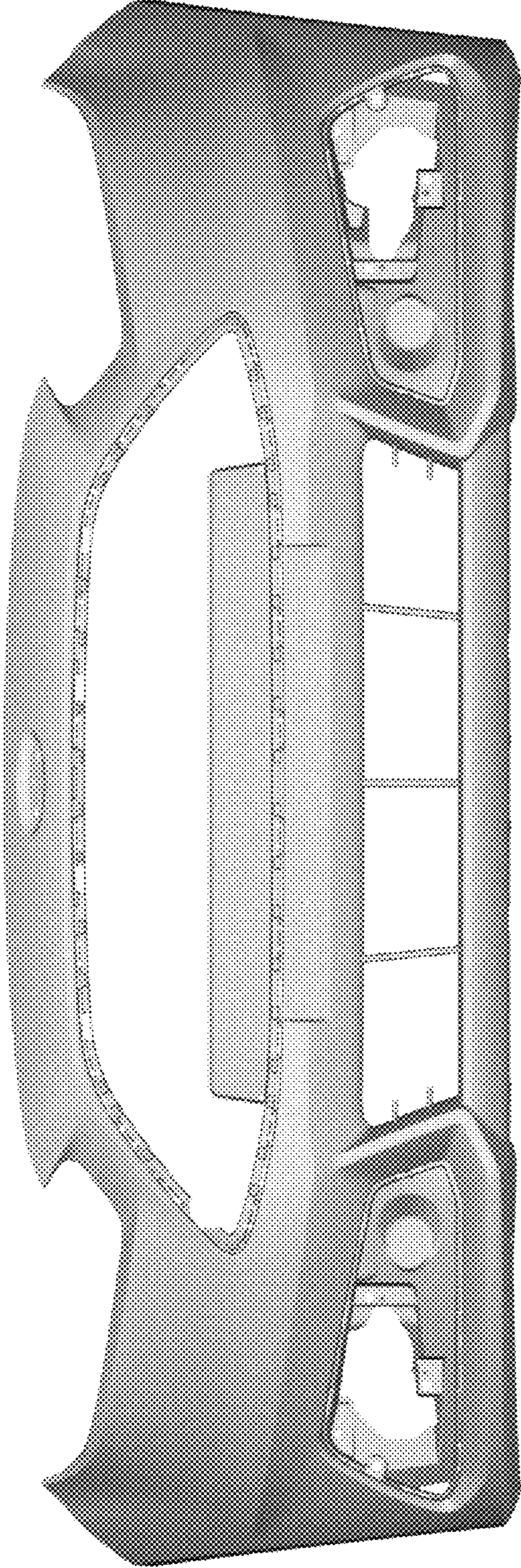


Figure 4

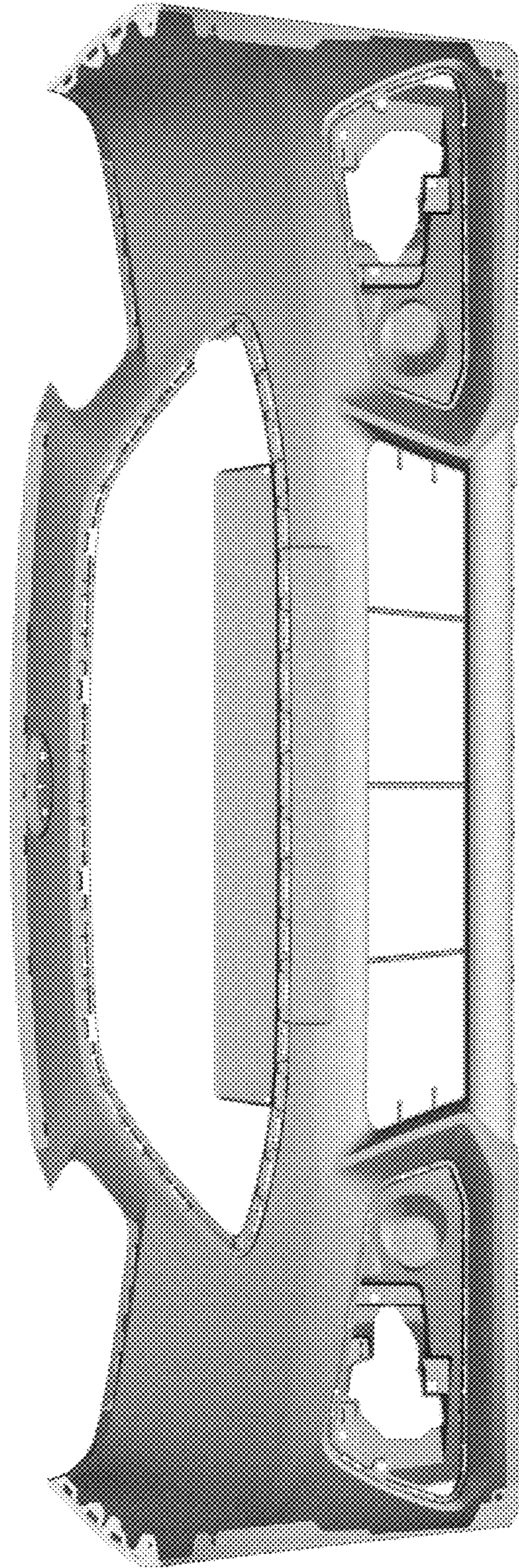


Figure 5

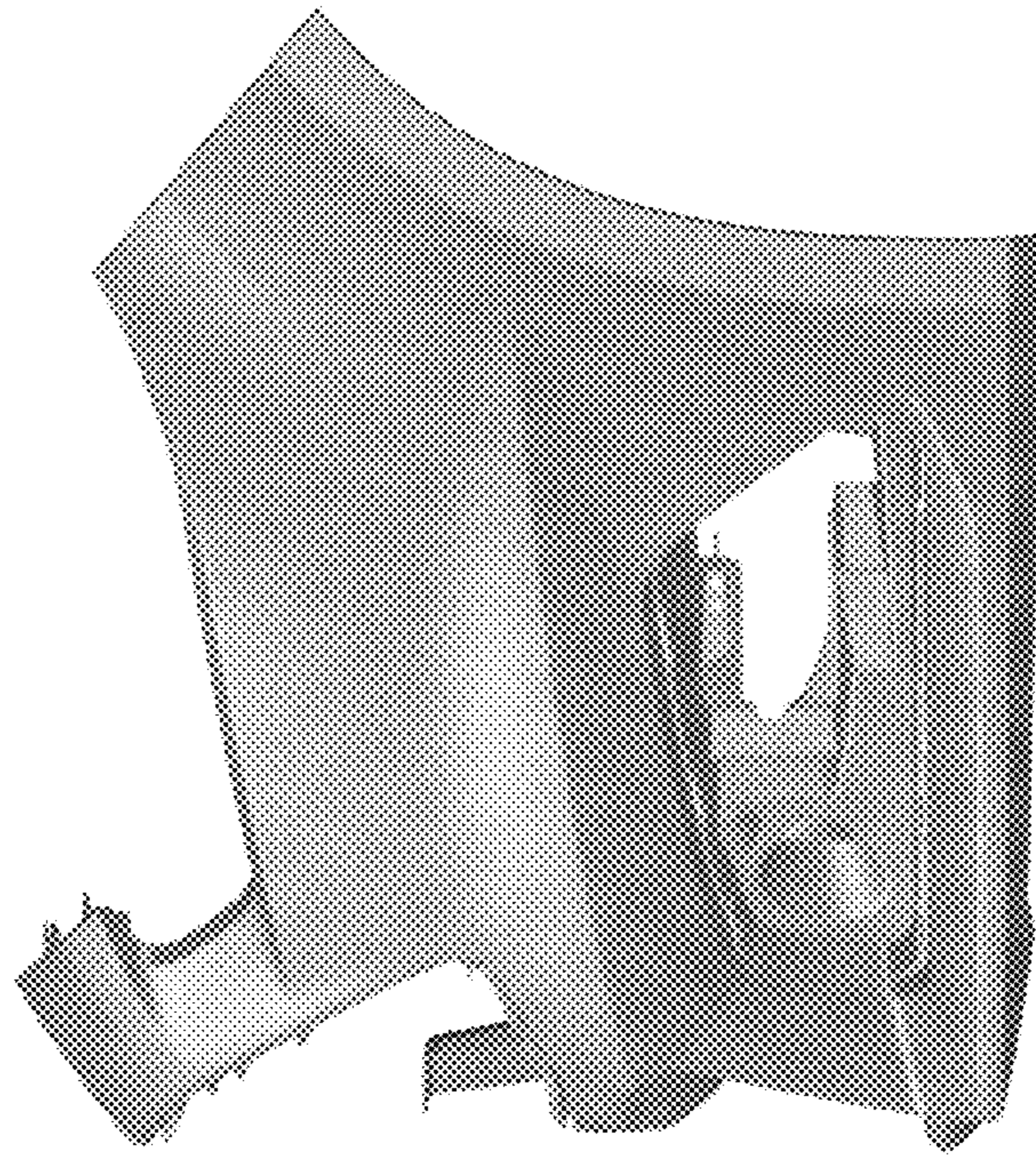


Figure 6

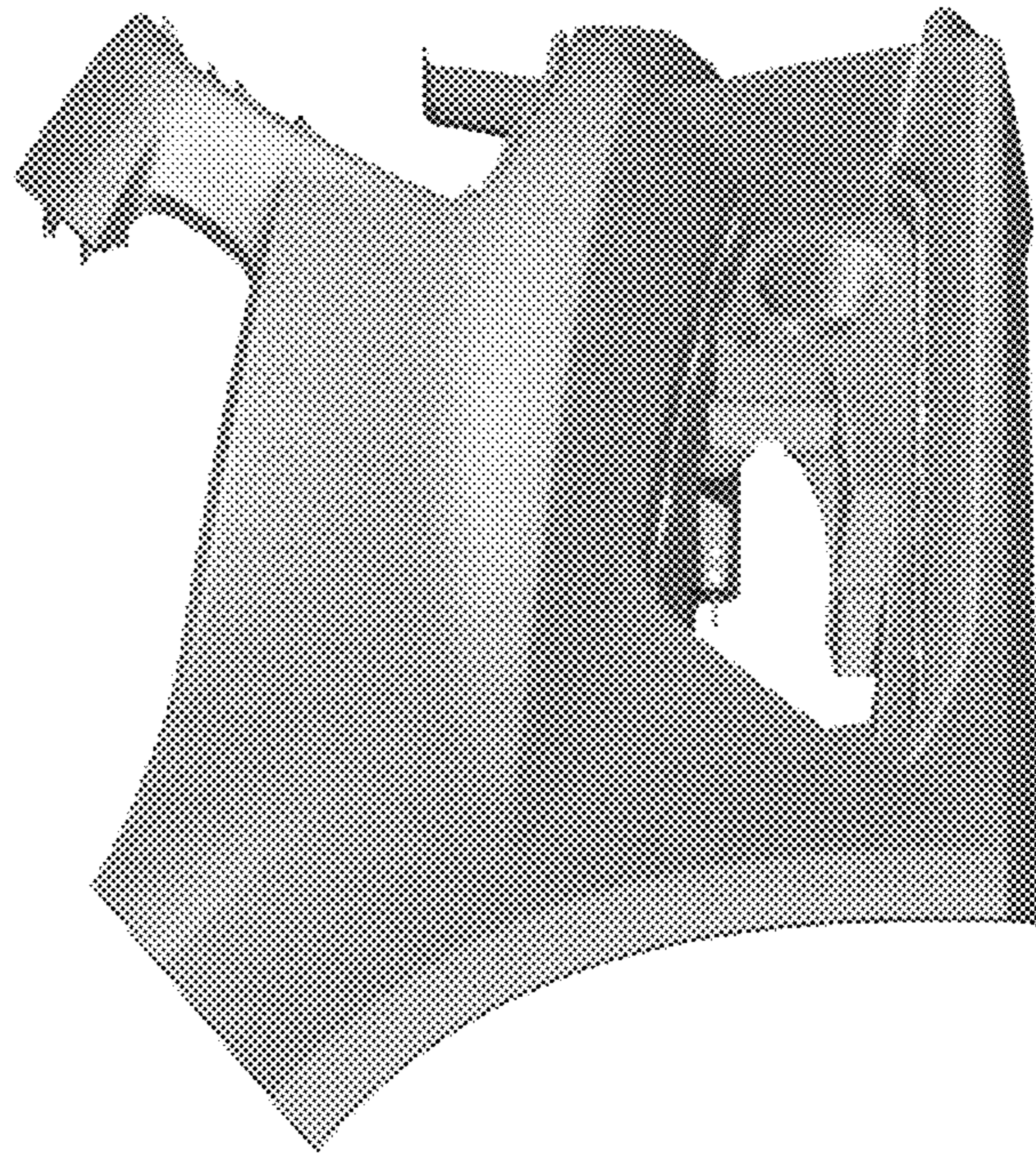


Figure 7

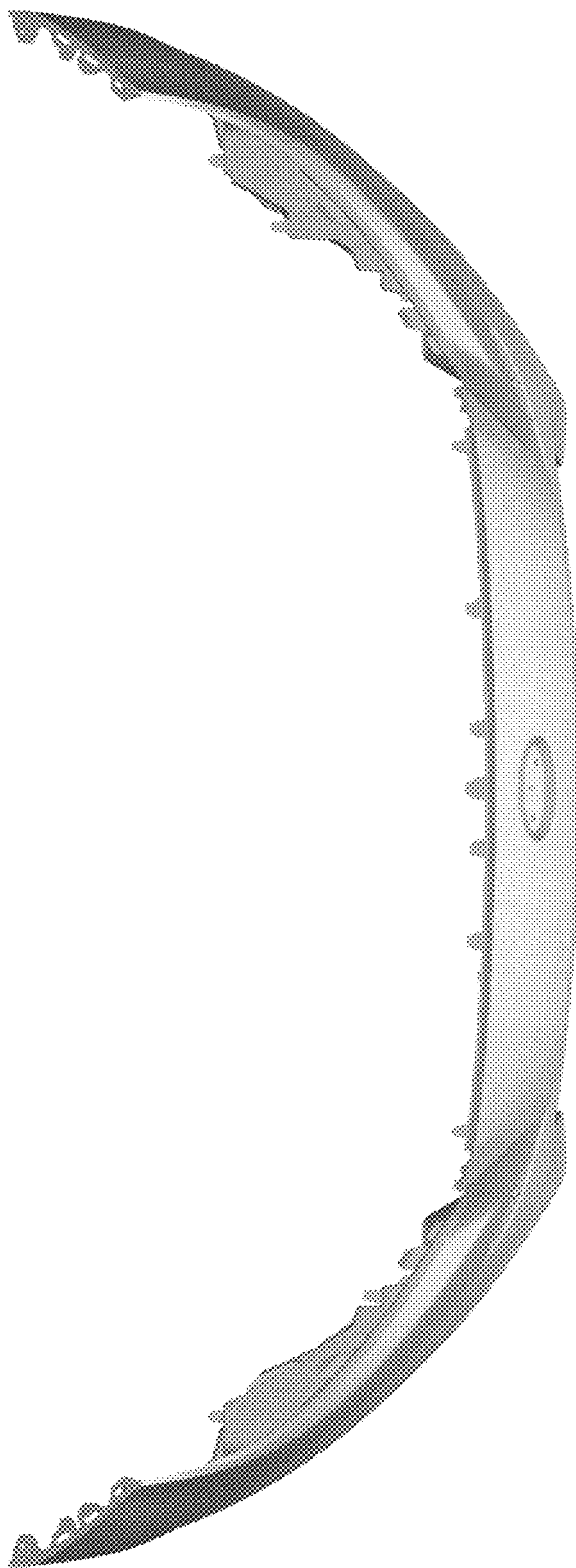


Figure 8

Figure 9

