



US00D758927S

(12) **United States Design Patent**  
**Messale et al.**

(10) **Patent No.:** **US D758,927 S**  
(45) **Date of Patent:** **\*\* Jun. 14, 2016**

- (54) **VEHICLE FRONT LOWER GRILLE**
- (71) Applicant: **Ford Motor Company**, Dearborn, MI (US)
- (72) Inventors: **Claudio Messale**, Cologne (DE);  
**Roberto Giachin**, Zuelpich (DE);  
**Thomas Morel**, Dusseldorf (DE);  
**Domenico Tonello**, Cologne (DE)
- (73) Assignee: **Ford Motor Company**, Dearborn, MI (US)

7,887,125 B2 \* 2/2011 Tazaki ..... B60R 19/52  
296/187.09

D634,676 S \* 3/2011 Iida ..... D12/163  
D651,142 S \* 12/2011 Fushimi ..... D12/163  
D687,354 S \* 8/2013 Hildebrand ..... D12/163  
D691,930 S \* 10/2013 Song ..... D12/163  
D700,546 S \* 3/2014 Okamoto ..... D12/163  
D704,601 S \* 5/2014 Nurnberger ..... D12/163  
D705,137 S \* 5/2014 Kawasaki ..... D12/163  
D726,079 S \* 4/2015 Reichman ..... D12/163  
D737,736 S \* 9/2015 Iwai ..... D12/163

2004/0178664 A1 \* 9/2004 Hyuga ..... B62D 29/043  
296/193.1

2013/0107046 A1 \* 5/2013 Forgue ..... B60R 11/04  
348/148

(\*\*) Term: **14 Years**

\* cited by examiner

(21) Appl. No.: **29/520,106**

*Primary Examiner* — Philip S Hyder

(22) Filed: **Mar. 11, 2015**

*Assistant Examiner* — Darlington Ly

(74) *Attorney, Agent, or Firm* — Damian Porcari

(30) **Foreign Application Priority Data**

Sep. 18, 2014 (DE) ..... 40 2014 100 888

(51) **LOC (10) Cl.** ..... **12-16**

(52) **U.S. Cl.**

USPC ..... **D12/163**

(58) **Field of Classification Search**

USPC ..... D12/86, 90, 91, 92, 163, 169, 196, 171,  
D12/216; D15/31; 180/68.1, 68.6; 293/103,  
293/115, 117, 120, 193.1, 193.11

CPC B60R 19/52; B60R 2019/525; B60K 11/085;  
B62D 25/084; H01Q 1/32

See application file for complete search history.

(56) **References Cited**

U.S. PATENT DOCUMENTS

D557,184 S \* 12/2007 Janik ..... D12/163  
D571,693 S \* 6/2008 Ishii ..... D12/163  
D575,689 S \* 8/2008 Chang ..... D12/163

(57) **CLAIM**

The ornamental design for a vehicle front lower grille, as shown and described.

**DESCRIPTION**

FIG. 1 is a bottom left perspective view of a vehicle front lower grille;

FIG. 2 is a bottom right perspective view thereof;

FIG. 3 is a top rear perspective view thereof;

FIG. 4 is a front elevational view thereof;

FIG. 5 is a rear elevational view thereof;

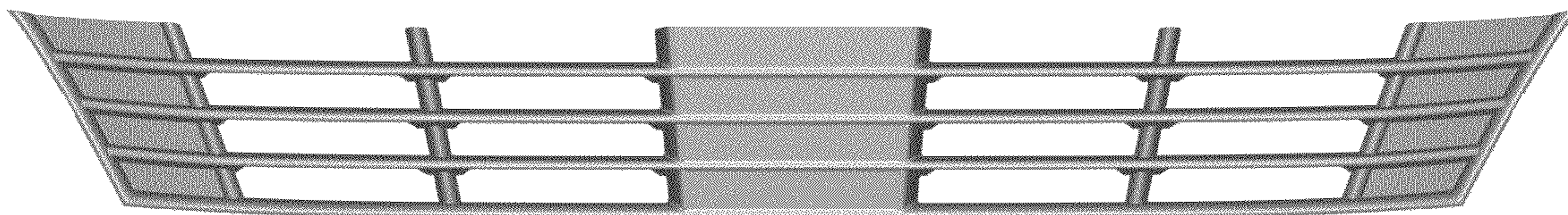
FIG. 6 is a left side elevational view thereof;

FIG. 7 is a right side elevational view thereof;

FIG. 8 is a top plan view thereof; and,

FIG. 9 is a bottom plan view thereof.

**1 Claim, 9 Drawing Sheets**



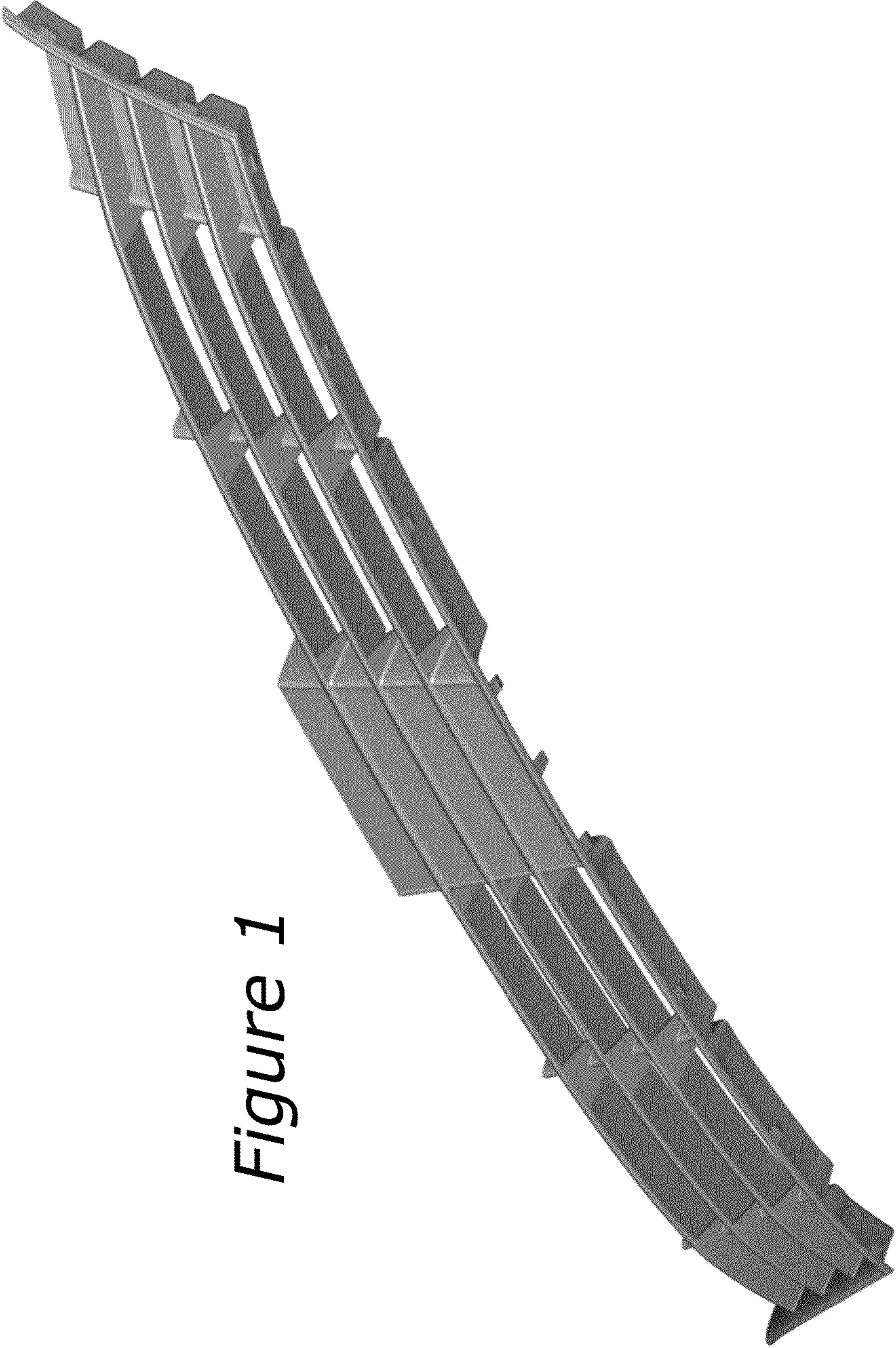
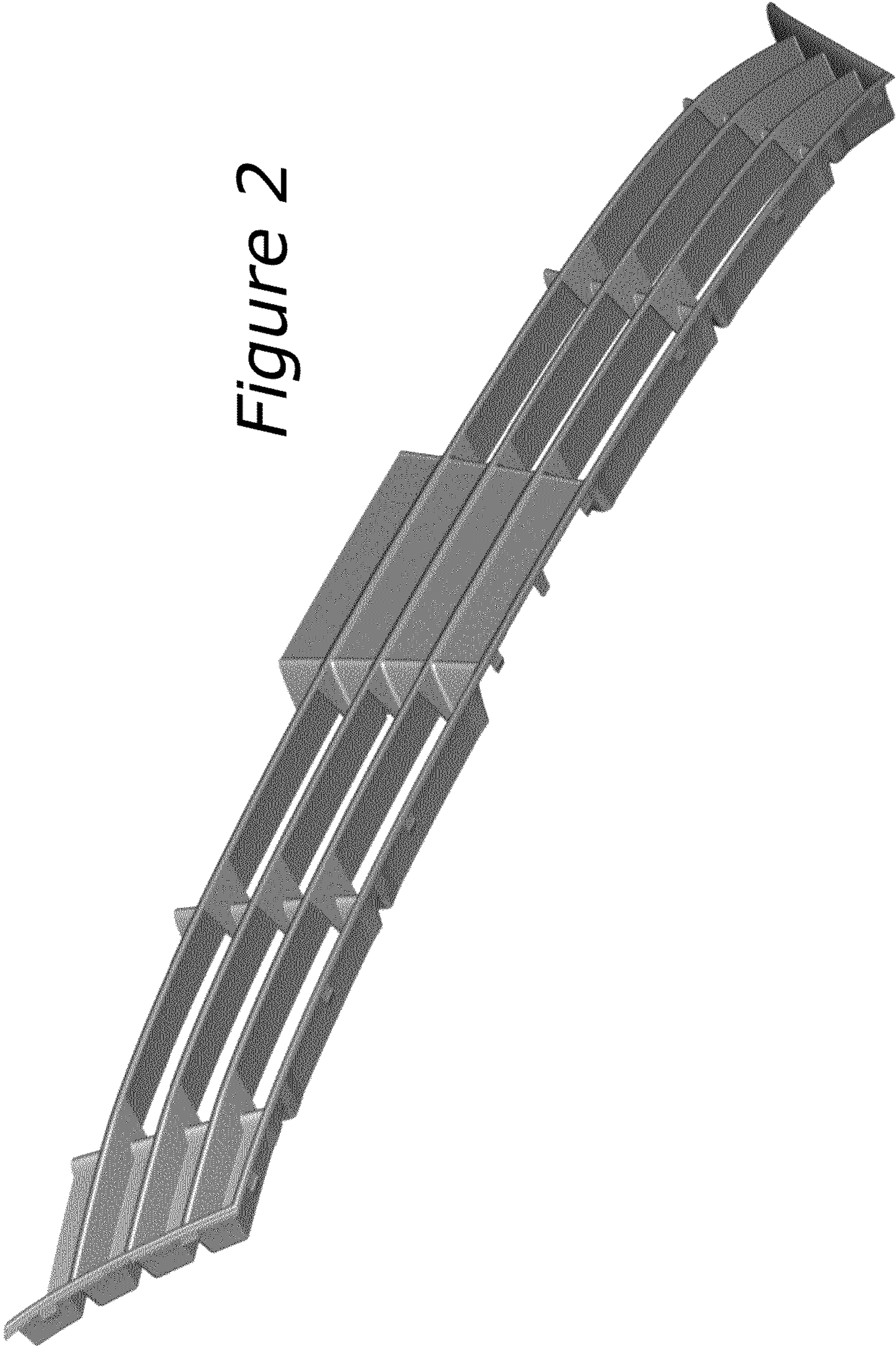


Figure 1

Figure 2



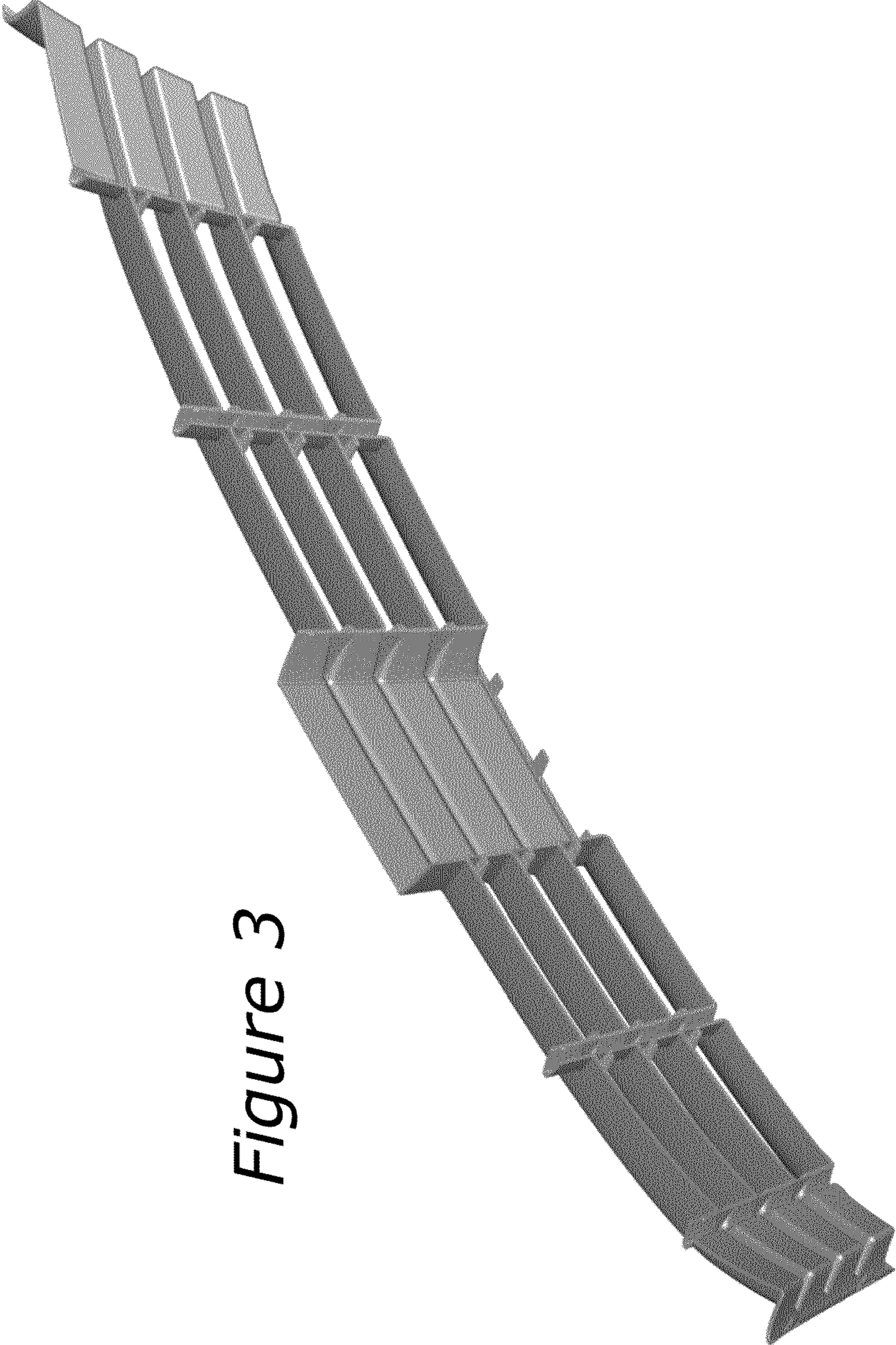


Figure 3

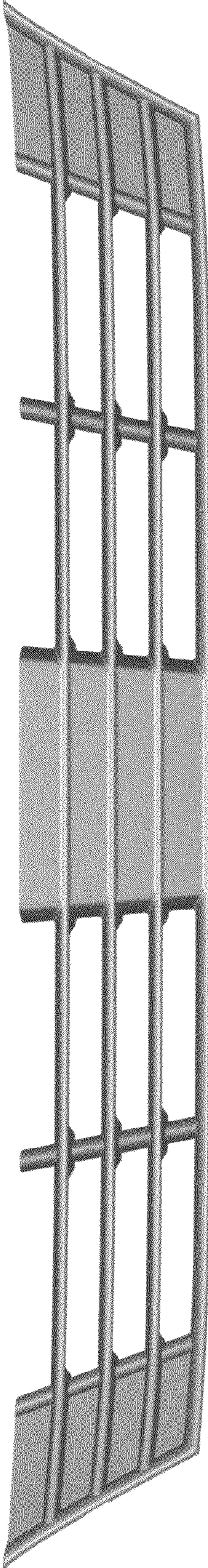
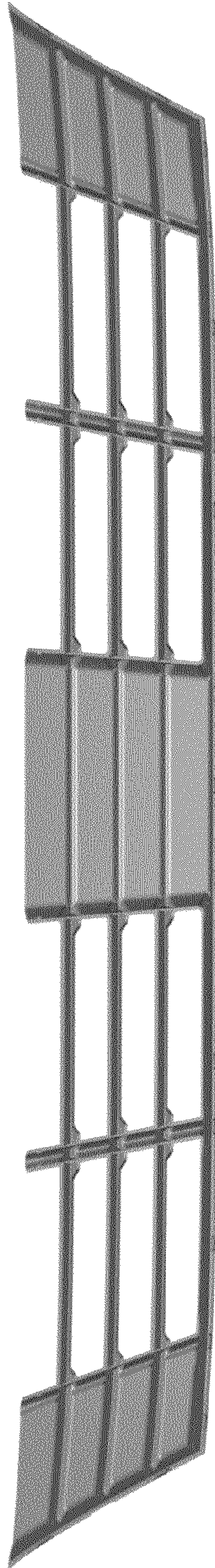


Figure 4



*Figure 5*

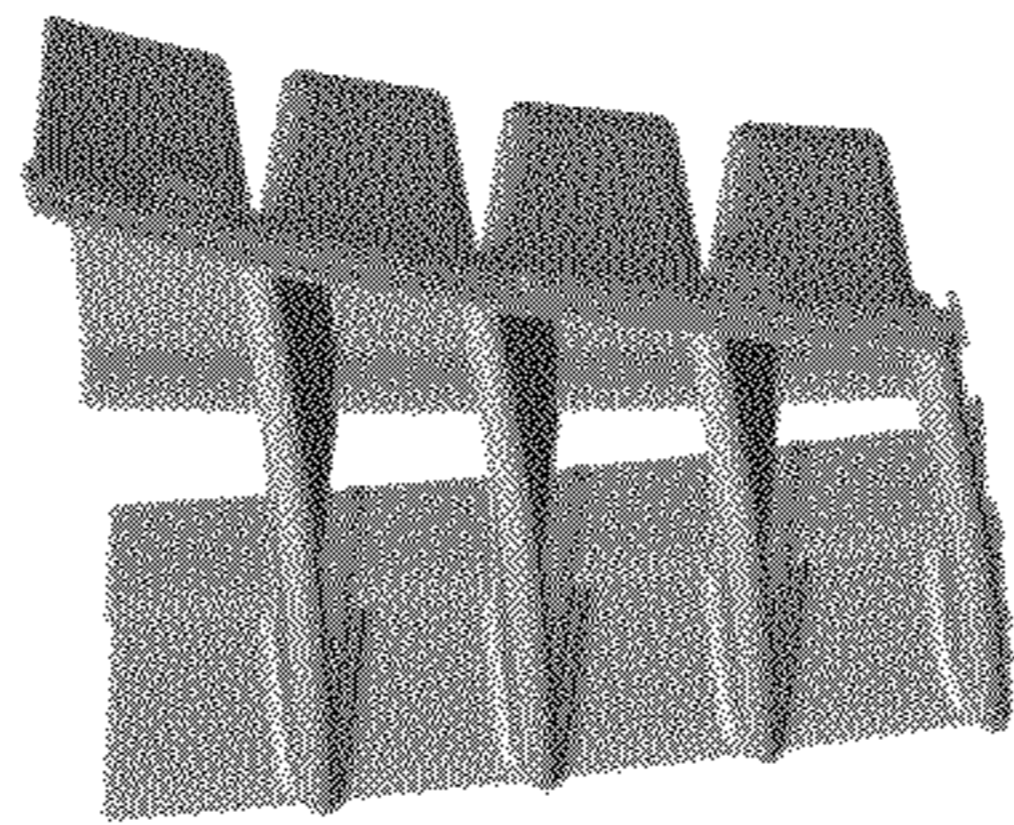
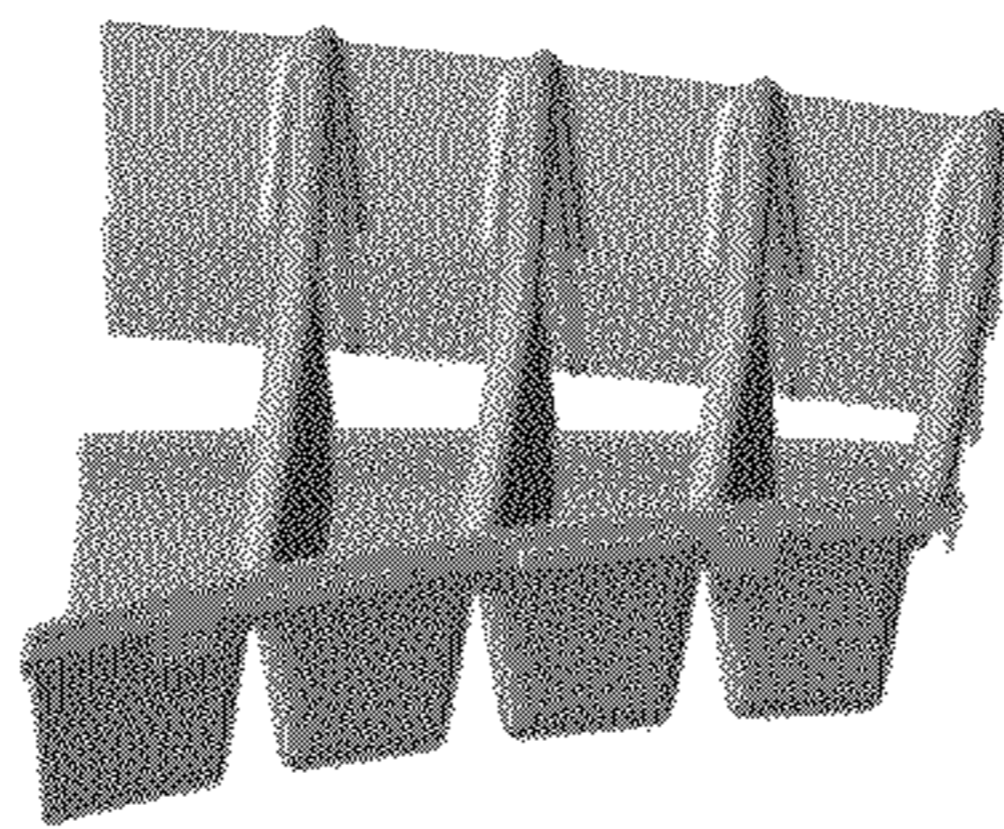


Figure 6



*Figure 7*



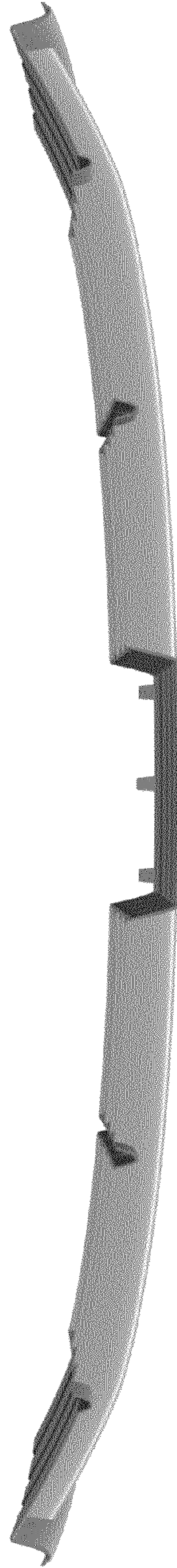


Figure 8

Figure 9

