



US00D758922S

(12) **United States Design Patent**
Cavallo

(10) **Patent No.:** **US D758,922 S**

(45) **Date of Patent:** **** Jun. 14, 2016**

(54) **SOLAR TRAILER**

(71) Applicant: **Domenic Cavallo**, Mississauga (CA)

(72) Inventor: **Domenic Cavallo**, Mississauga (CA)

(**) Term: **14 Years**

(21) Appl. No.: **29/516,283**

(22) Filed: **Jan. 30, 2015**

(51) **LOC (10) Cl.** **12-10**

(52) **U.S. Cl.**
USPC **D12/102**

(58) **Field of Classification Search**

USPC D12/100–106, 19, 129, 111–112;

D21/425, 435; D34/21–26, 12, 16–19

CPC B62D 35/02; B62D 35/00; A62B 3/005;

B60P 3/10; B60P 3/1033; E01F 15/14

See application file for complete search history.

(56) **References Cited**

U.S. PATENT DOCUMENTS

D509,169 S *	9/2005	Keighan	D12/102
D551,128 S *	9/2007	Renard	D12/102
D560,558 S *	1/2008	Hughes	D12/102
D561,063 S *	2/2008	Hughes	D12/102
D603,299 S *	11/2009	Prusmack	D12/102
D611,389 S *	3/2010	Young	D12/102
D625,667 S *	10/2010	Oviedo	D12/102
D659,595 S *	5/2012	Eliason	D12/102
D661,229 S *	6/2012	O'Neill	D12/102
D737,725 S *	9/2015	Bell	D12/102

* cited by examiner

Primary Examiner — Katrina A Betton

(74) *Attorney, Agent, or Firm* — Wolf, Greenfield & Sacks, P.C.

(57) **CLAIM**

The ornamental design for a solar trailer, shown and described.

DESCRIPTION

FIG. 1 is a left, top, rear perspective view of the solar trailer in a use configuration thereof;

FIG. 2 is a right, top, front perspective view of the solar trailer in the use configuration thereof;

FIG. 3 is a top view of the solar trailer in the use configuration thereof;

FIG. 4 is a right view of the solar trailer in the use configuration thereof;

FIG. 5 is a left view of the solar trailer in the use configuration thereof;

FIG. 6 is a rear view of the solar trailer in the use configuration thereof;

FIG. 7 is a front view of the solar trailer in the use configuration thereof;

FIG. 8 is a left, top, rear perspective view of the solar trailer in a transport configuration thereof;

FIG. 9 is a right, top, front perspective view of the solar trailer in the transport configuration thereof;

FIG. 10 is a top view of the solar trailer in the transport configuration thereof;

FIG. 11 is a right view of the solar trailer in the transport configuration thereof;

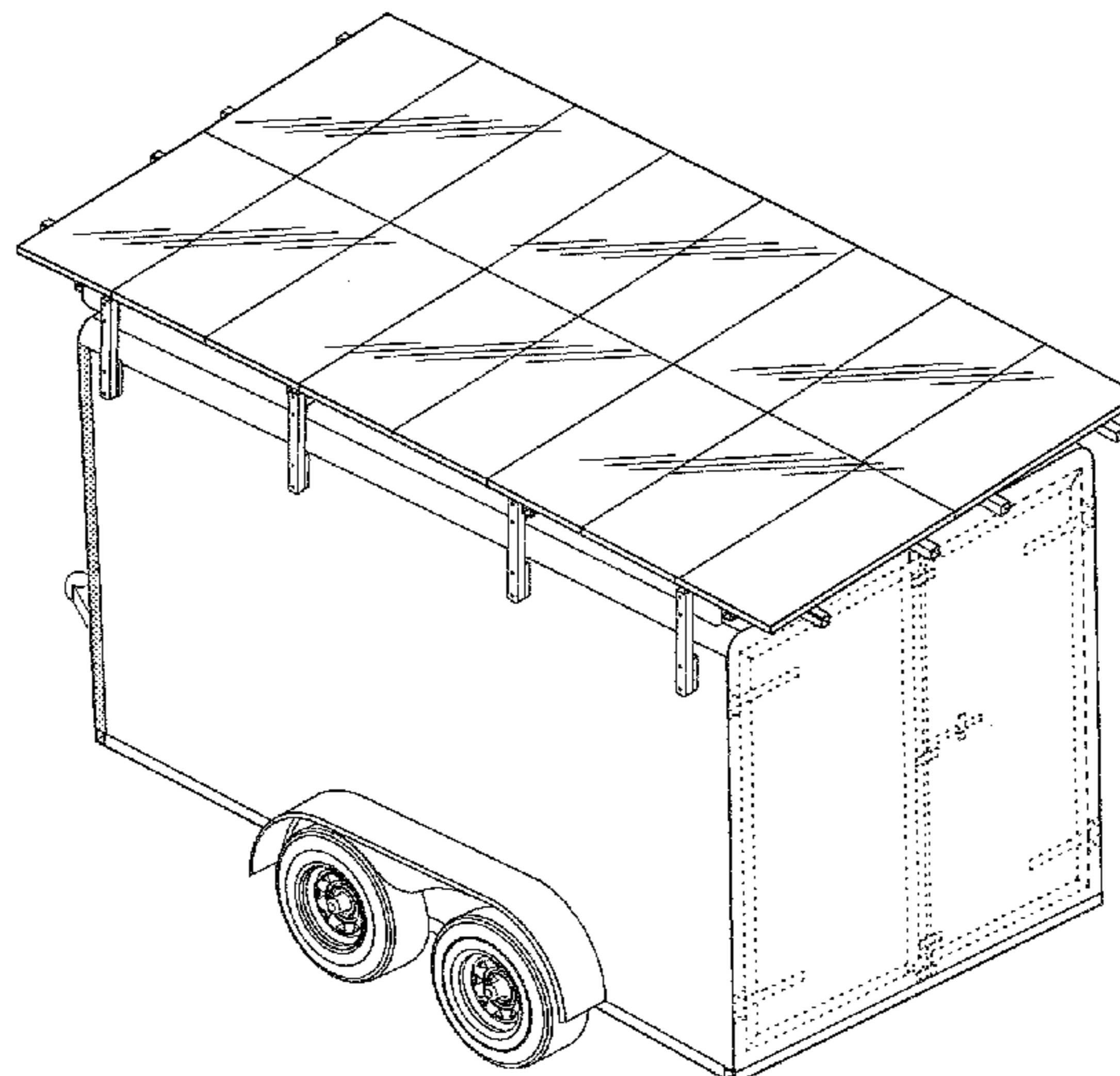
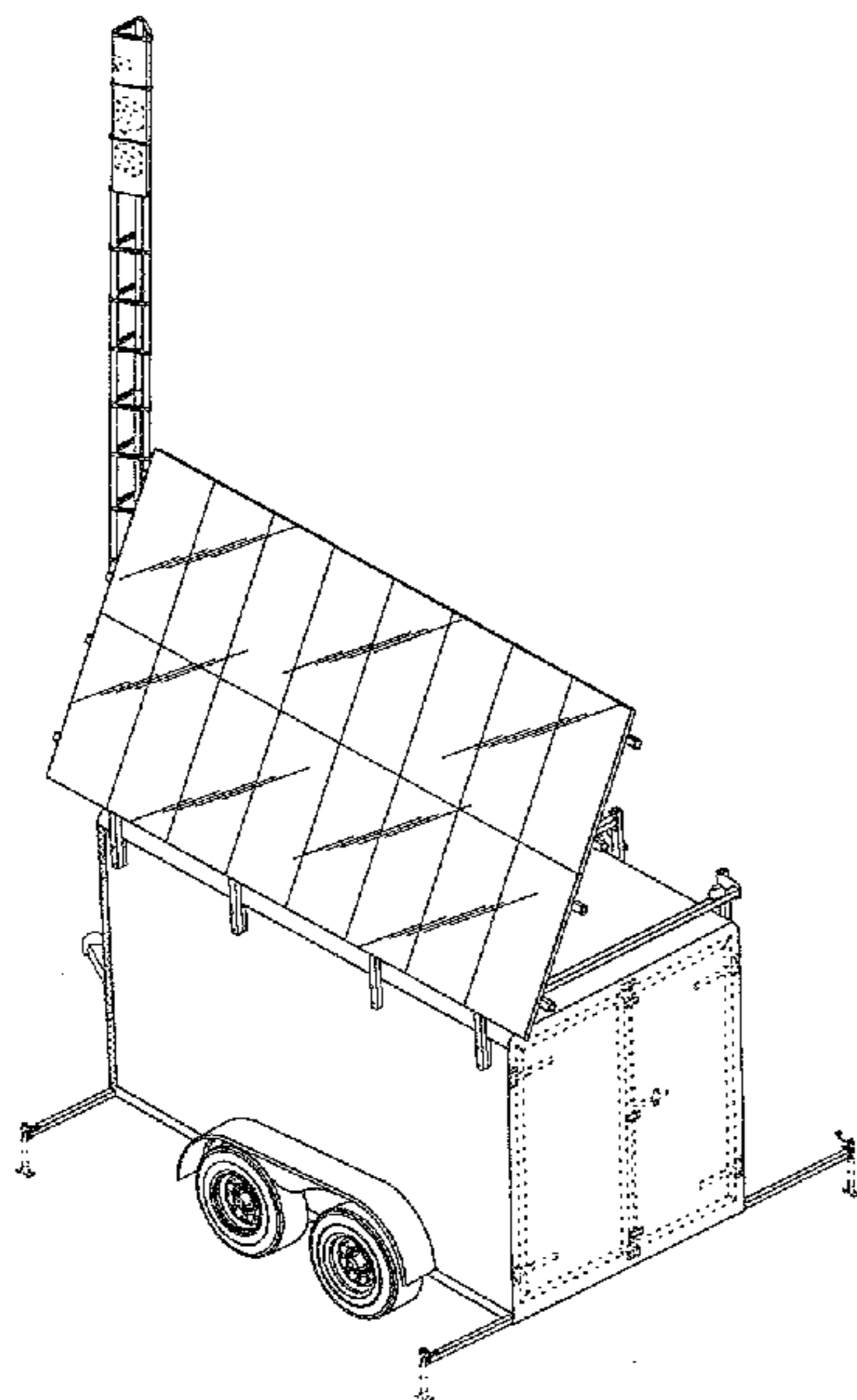
FIG. 12 is a left view of the solar trailer in the transport configuration thereof;

FIG. 13 is a rear view of the solar trailer in the transport configuration thereof; and,

FIG. 14 is a front view of the solar trailer in the transport configuration thereof.

The broken lines shown in the drawing are for illustrative purposes only and form no part of the claimed design.

1 Claim, 14 Drawing Sheets



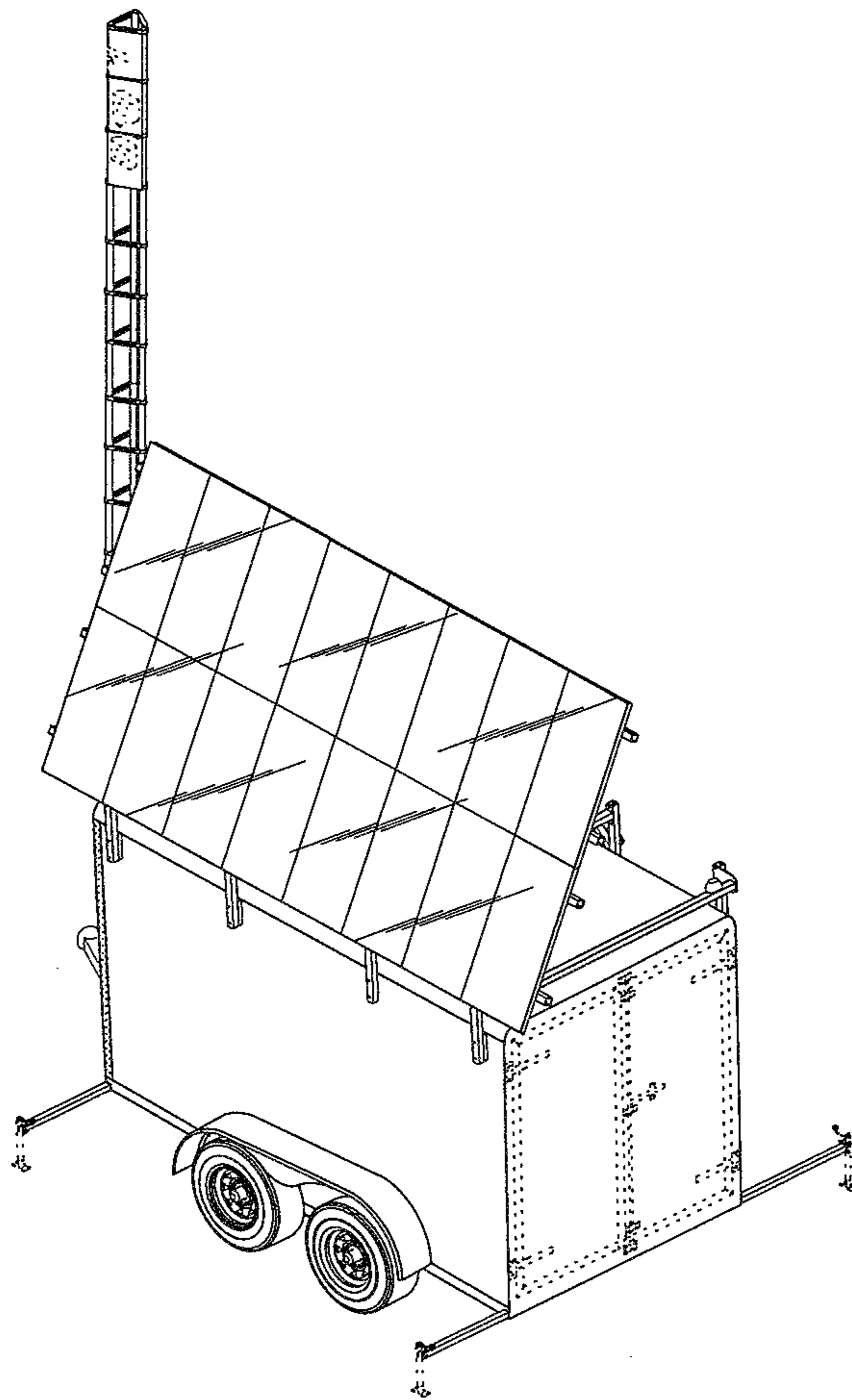


FIG.1

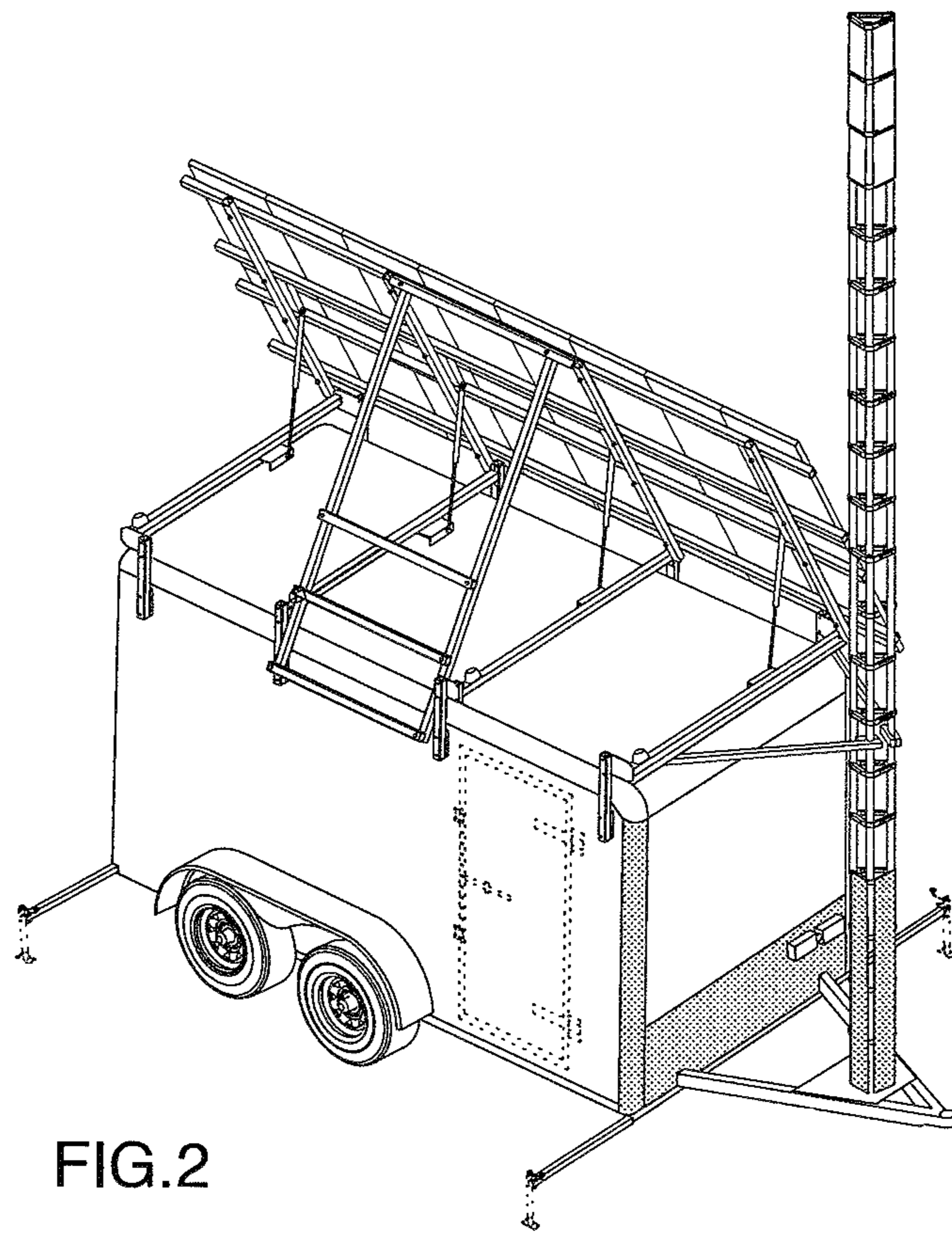


FIG.2

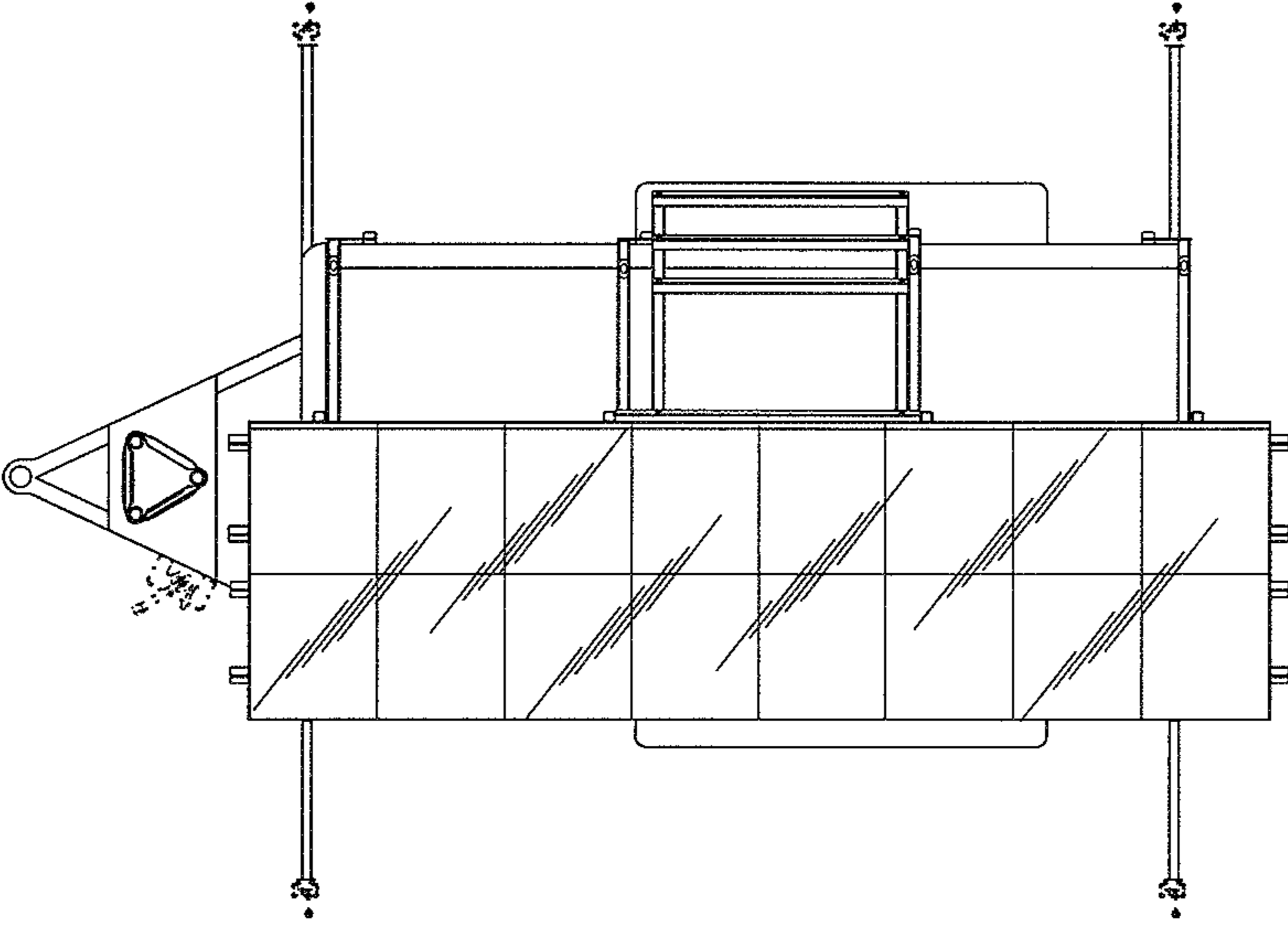


FIG.3

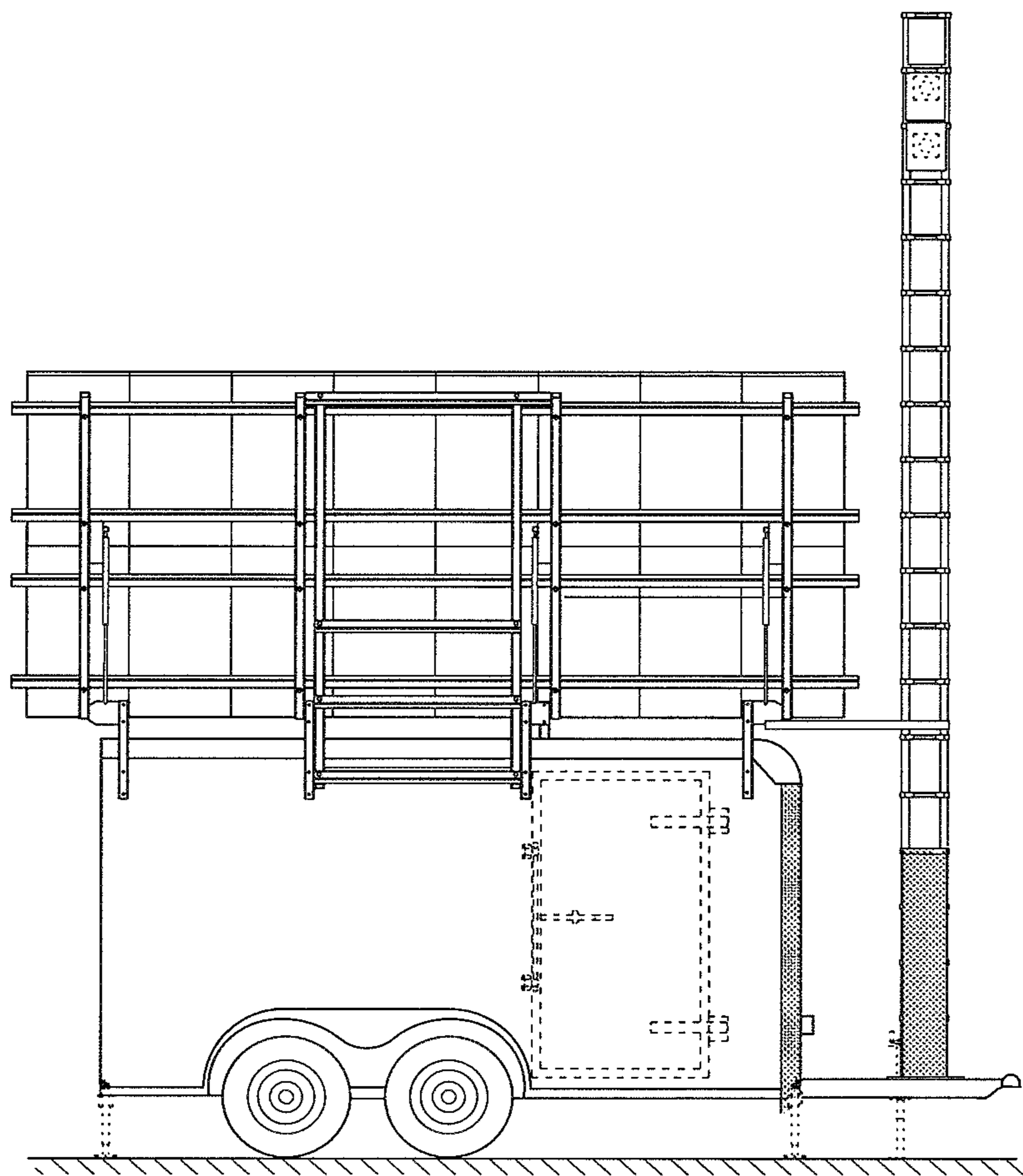


FIG.4

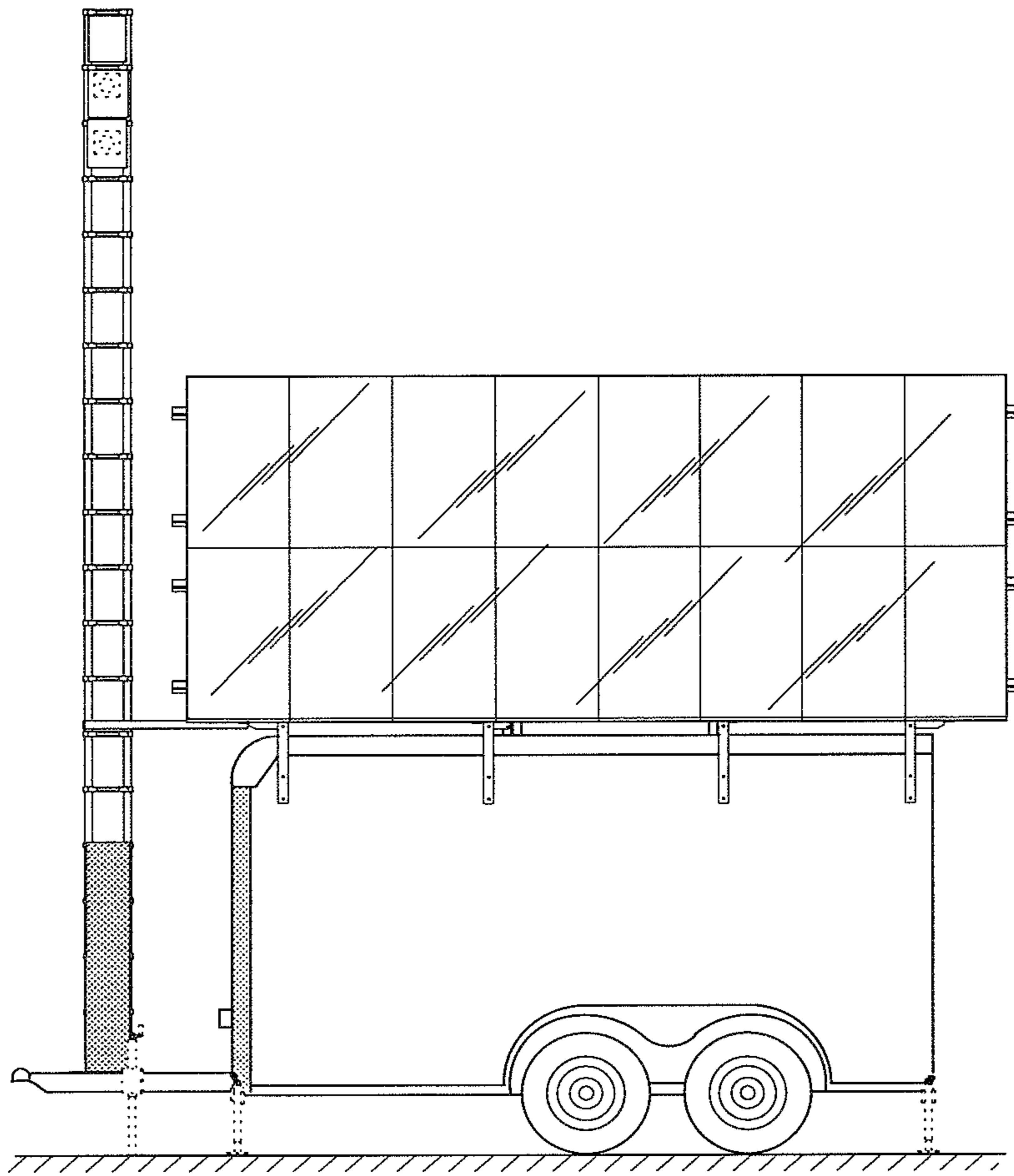


FIG.5

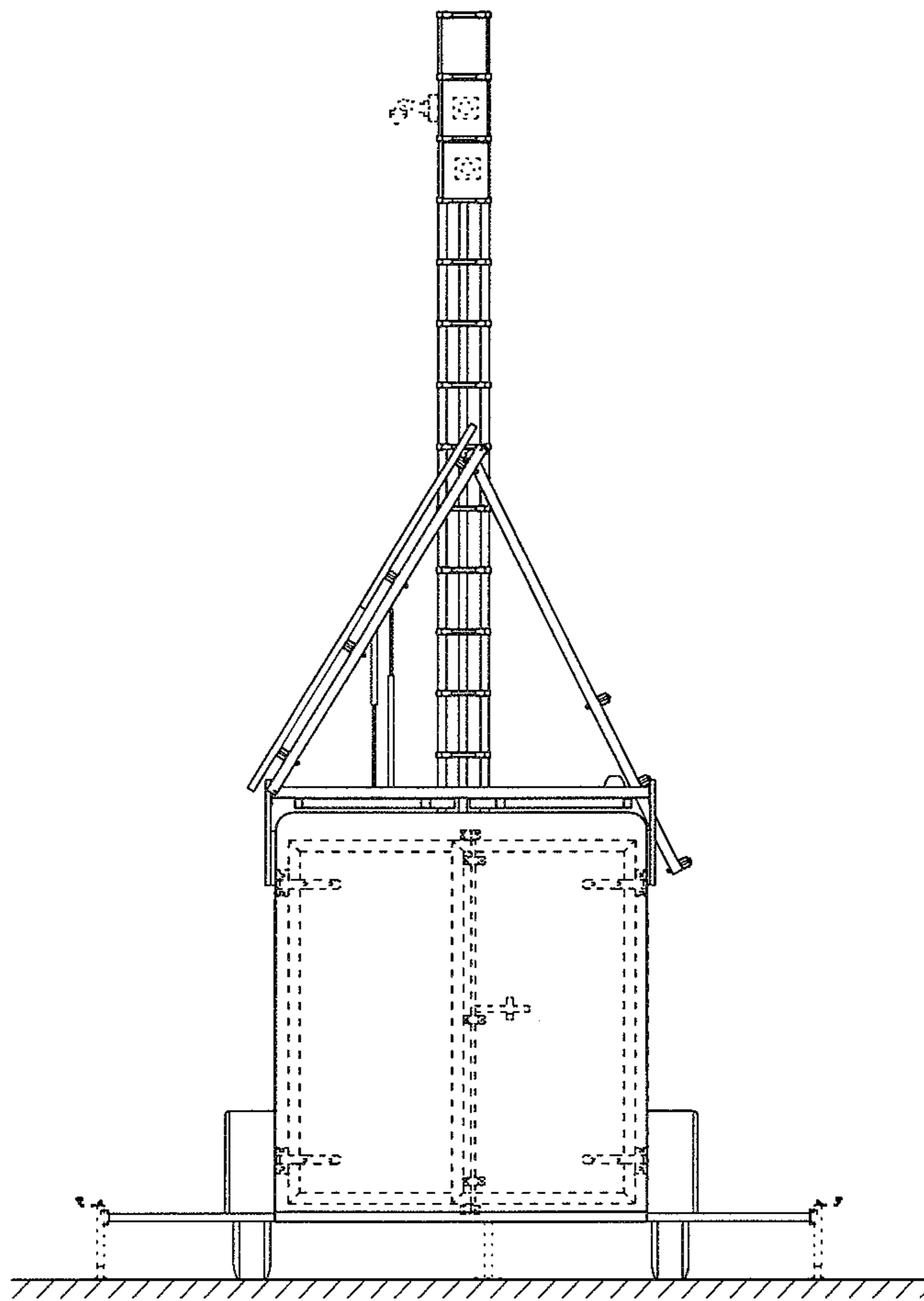


FIG.6

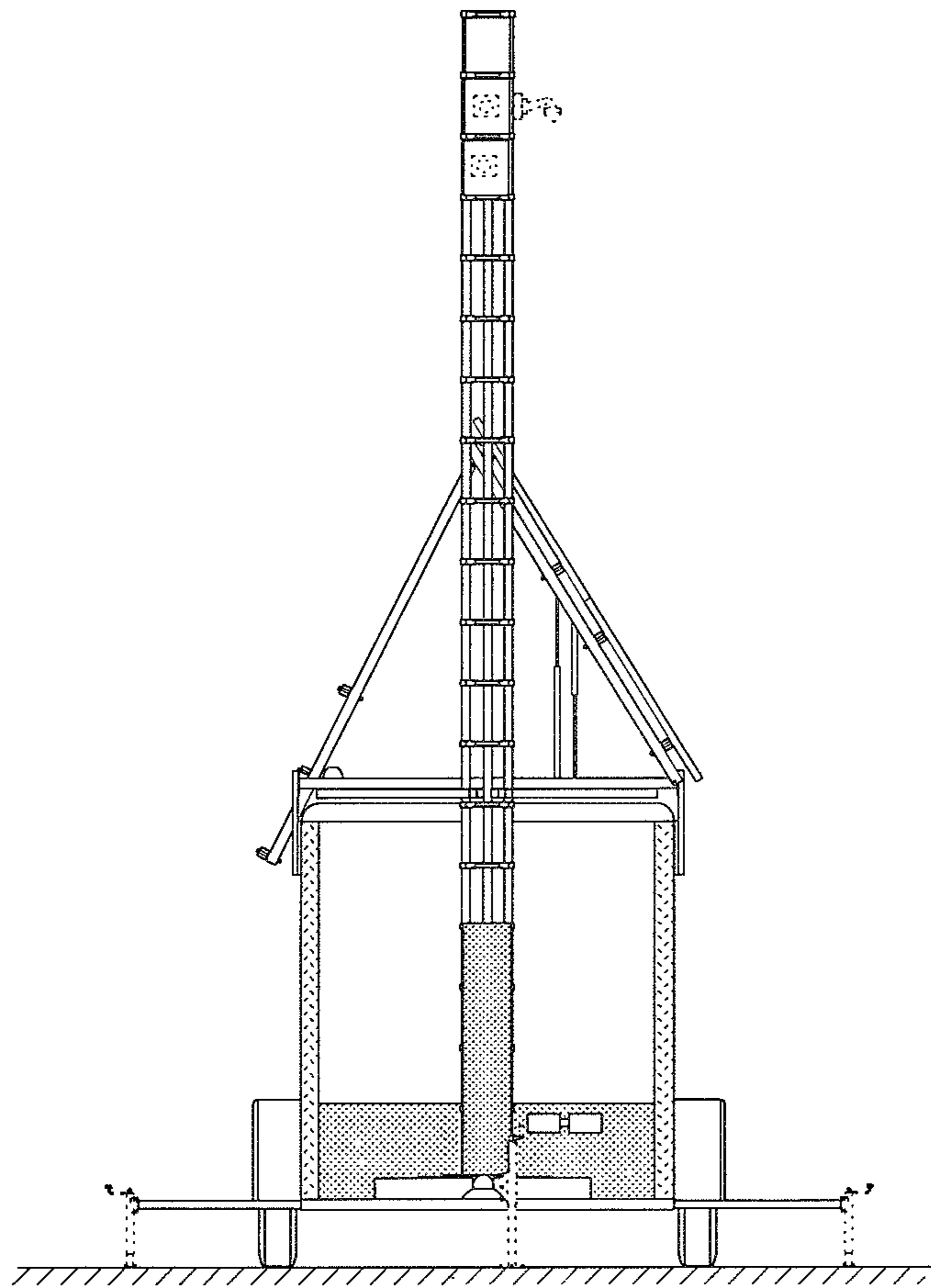


FIG. 7

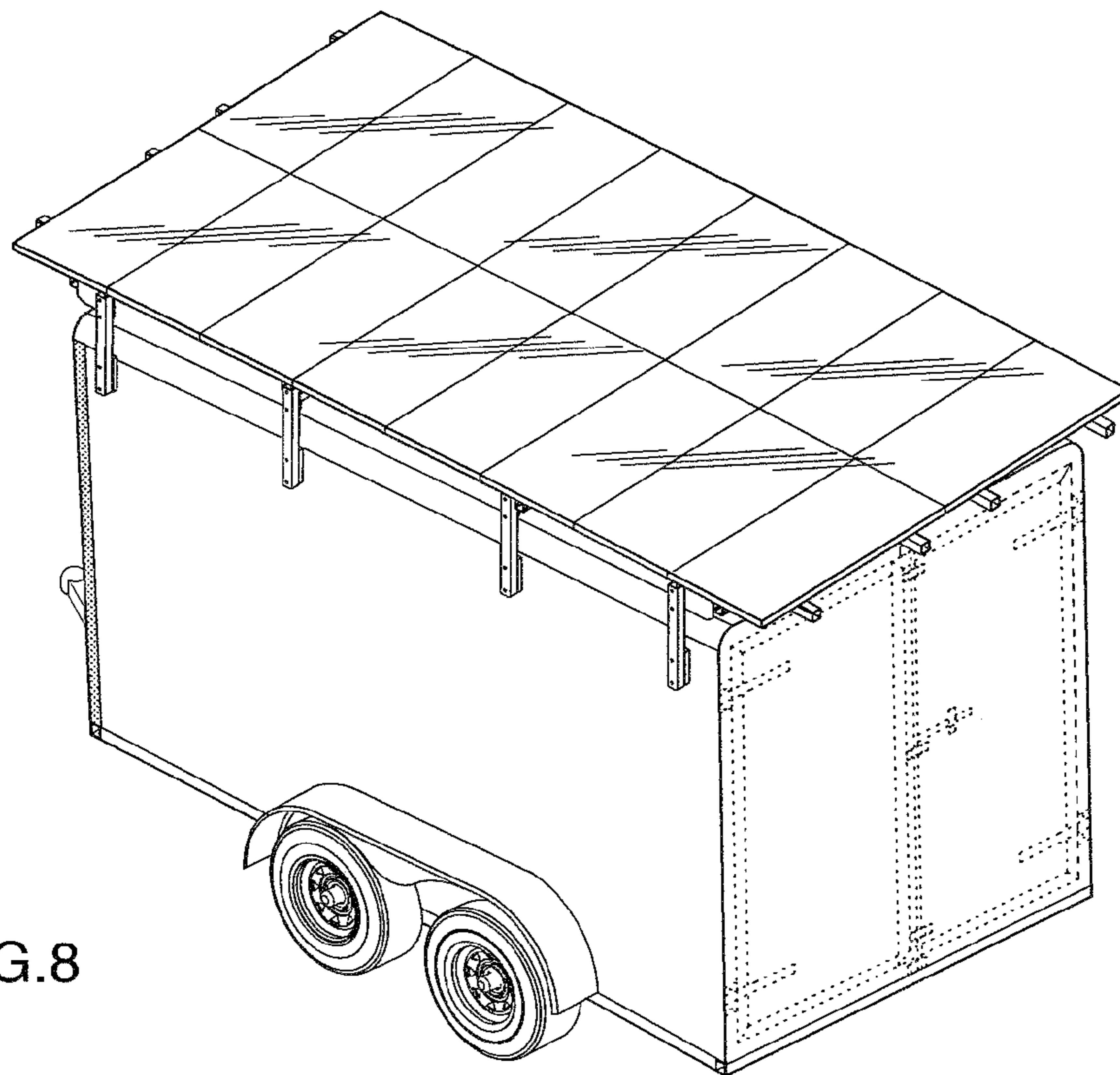


FIG.8

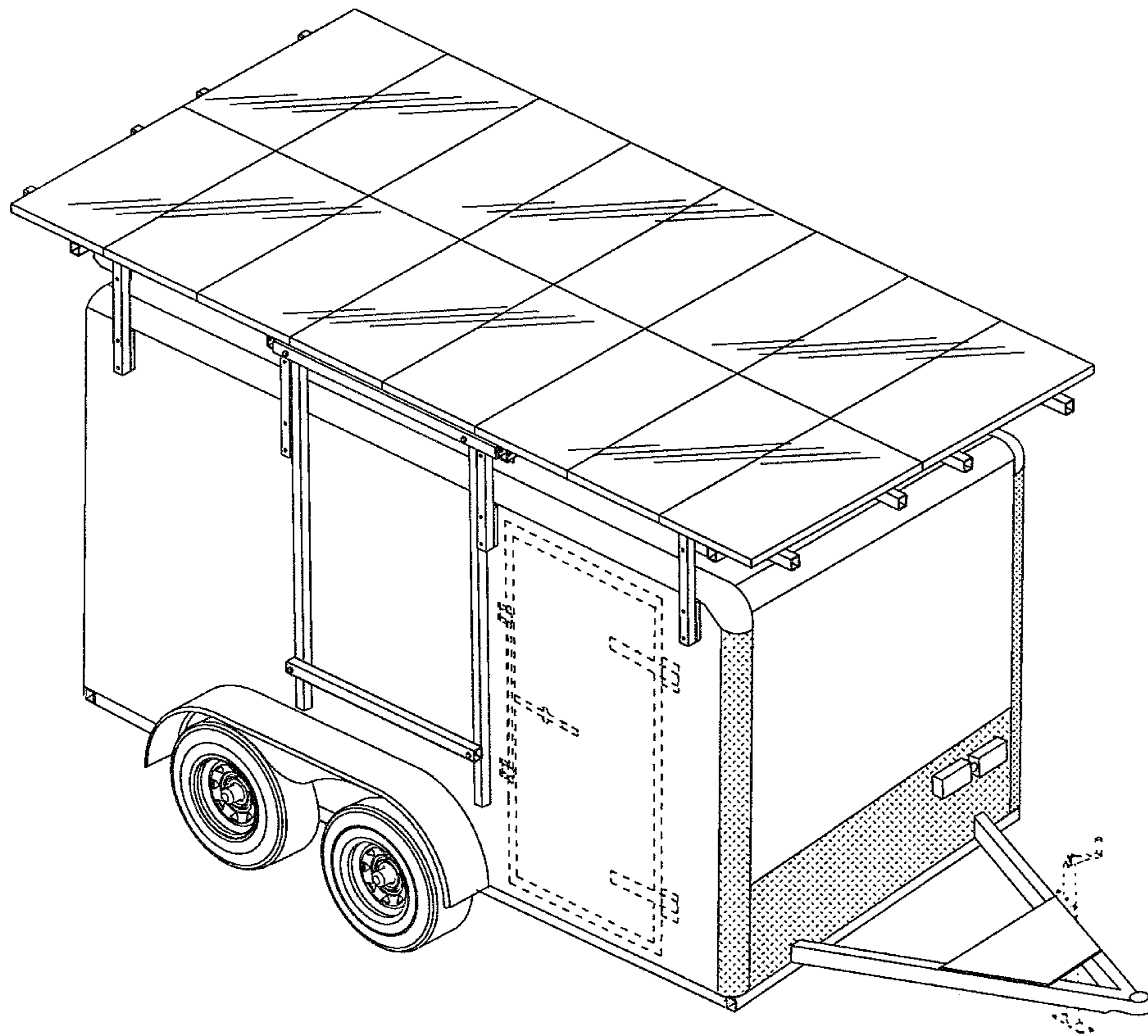


FIG.9

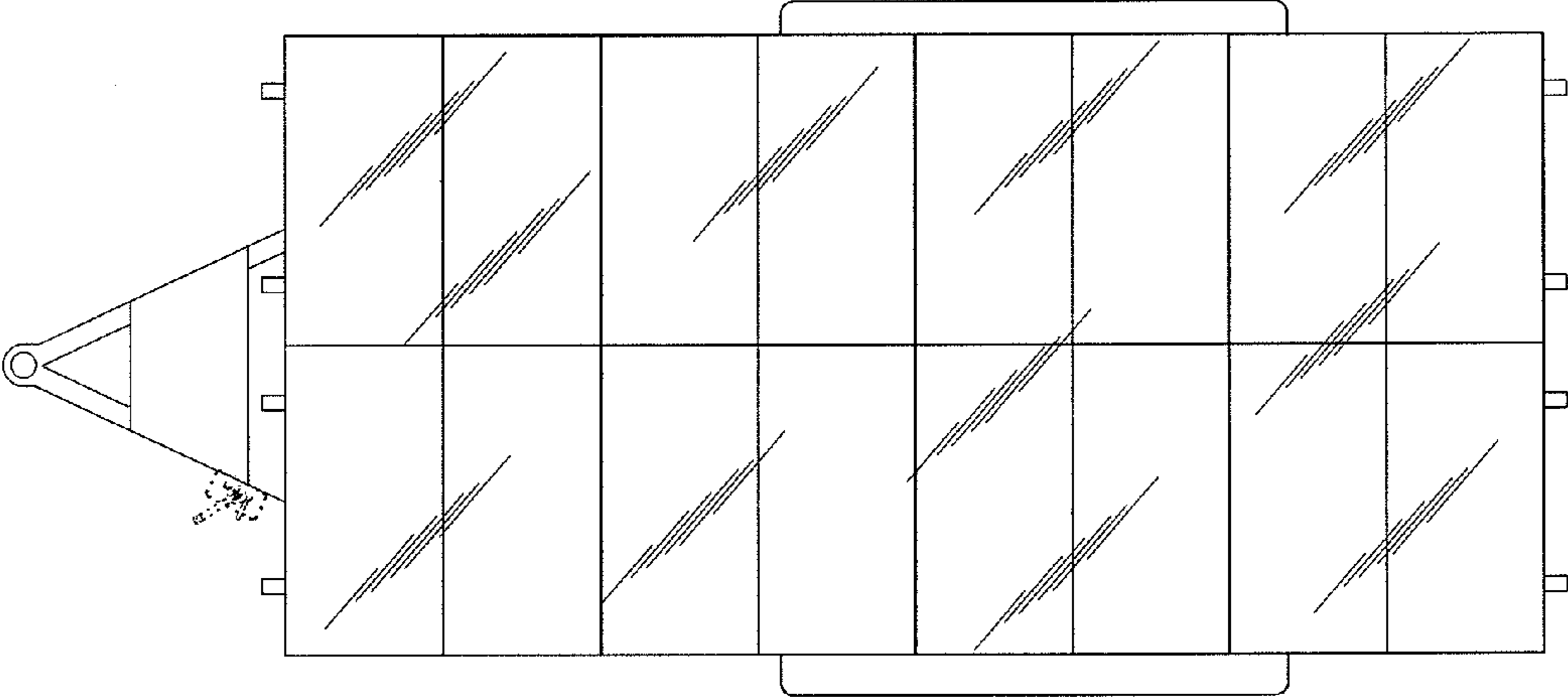


FIG.10

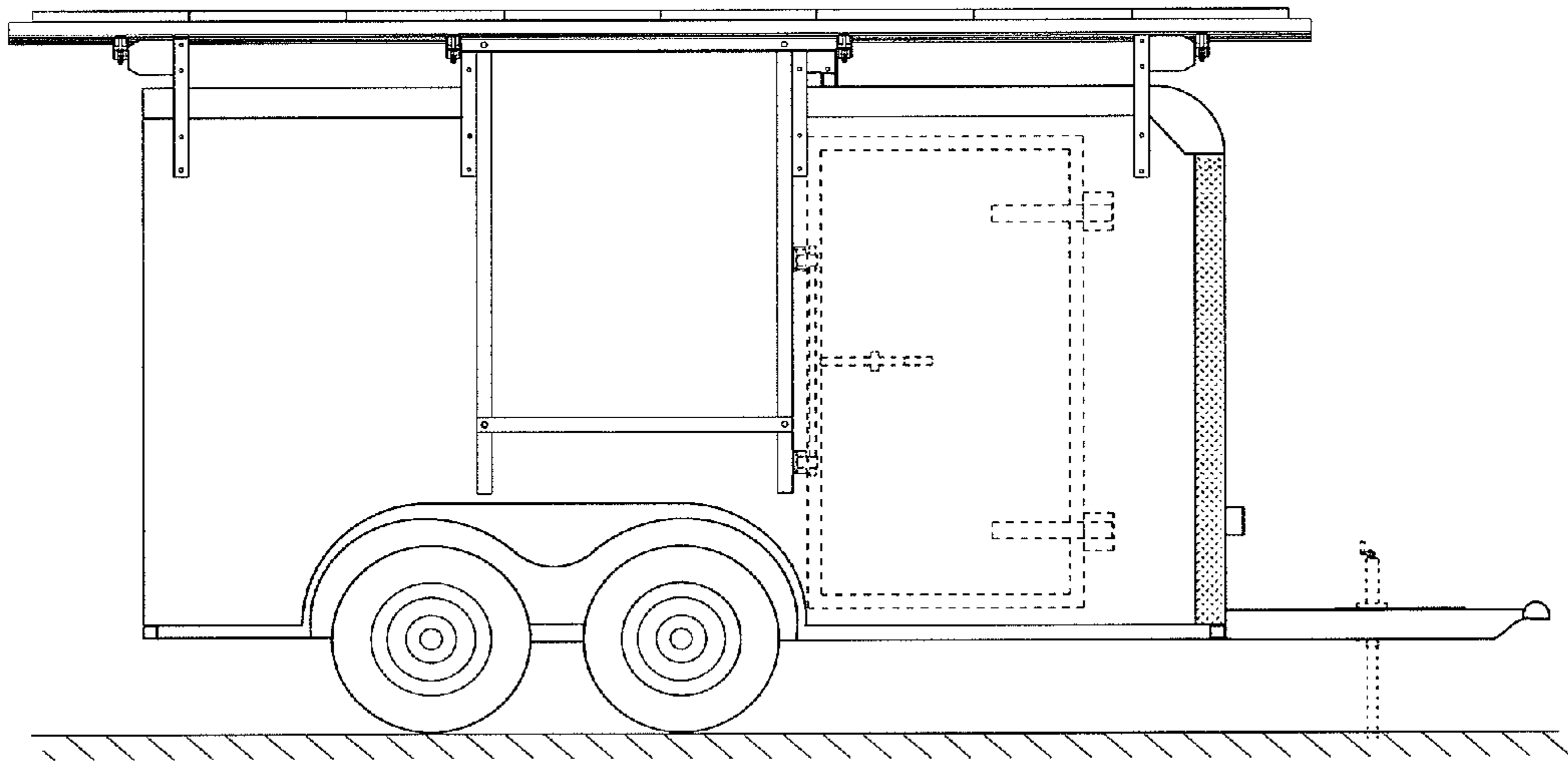


FIG.11

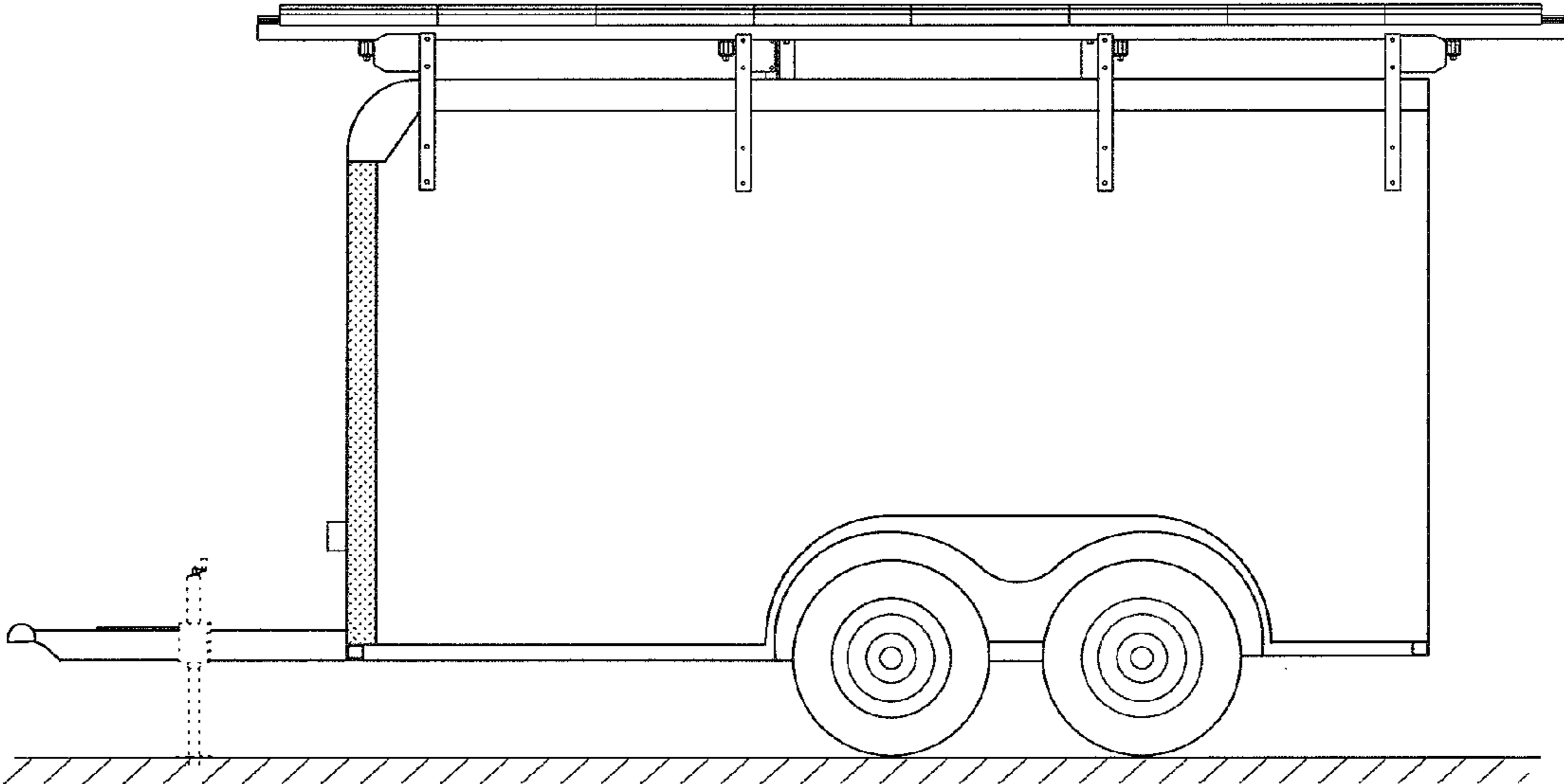


FIG.12

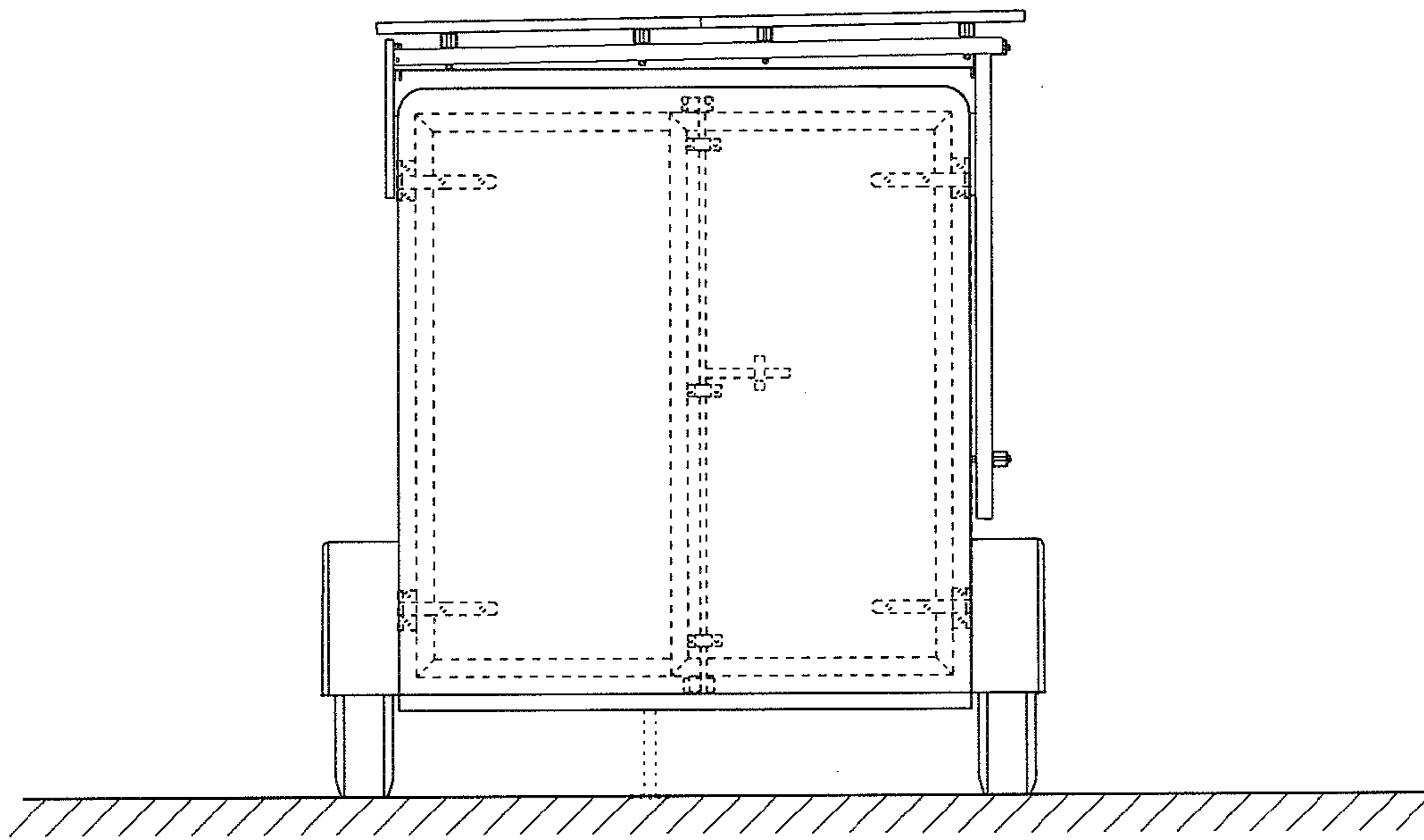


FIG.13

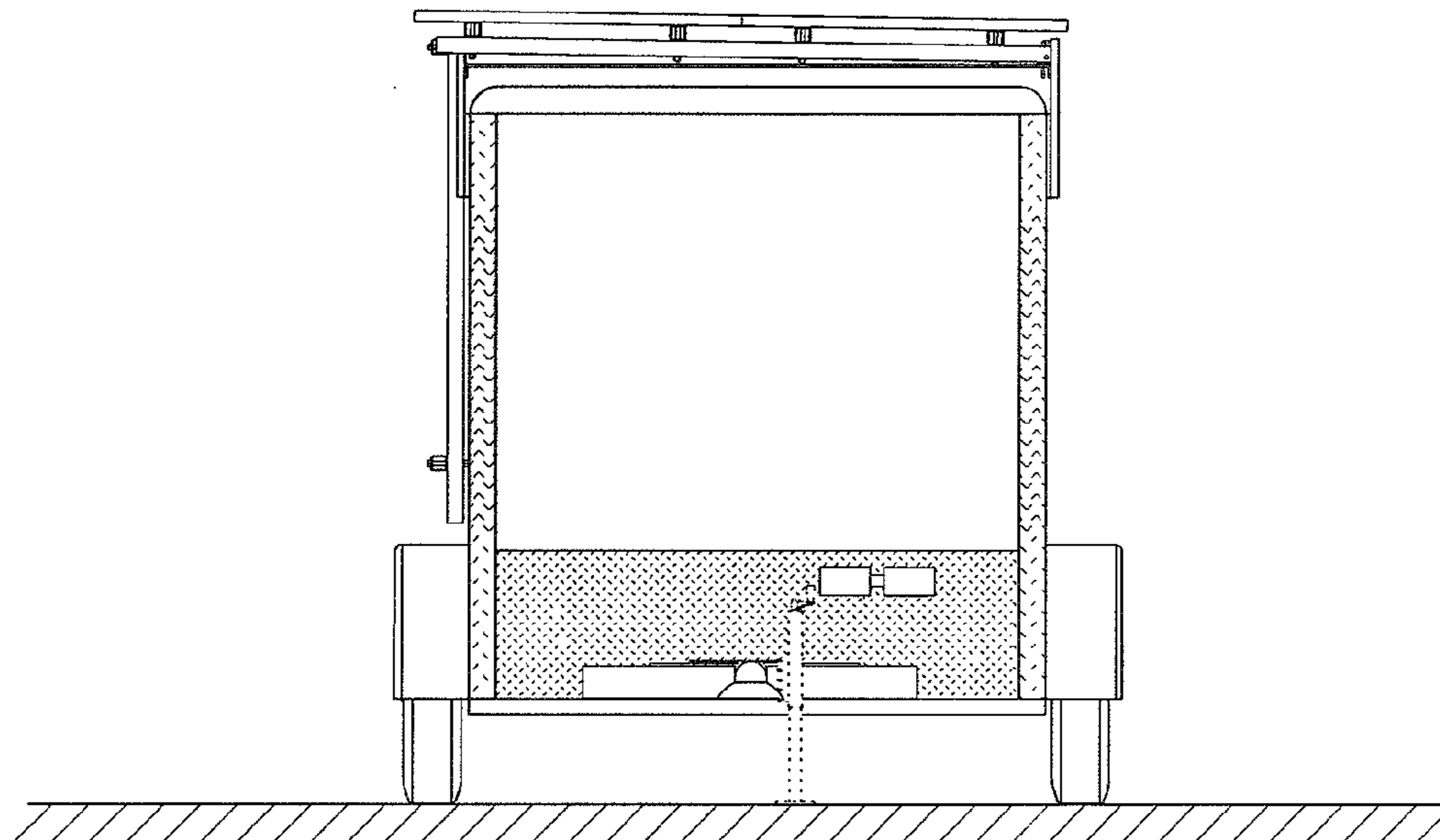


FIG.14