



US00D758920S

(12) **United States Design Patent**
Greenway et al.

(10) **Patent No.:** **US D758,920 S**

(45) **Date of Patent:** **** Jun. 14, 2016**

(54) **RAIL VEHICLE**

(71) Applicant: **SIEMENS**
AKTIENGESELLSCHAFT, Munich
(DE)

(72) Inventors: **Charles Greenway**, London (GB);
Benno Schiefer, Duesseldorf (DE)

(73) Assignee: **Siemens Aktiengesellschaft**, Munich
(DE)

(**) Term: **14 Years**

(21) Appl. No.: **29/521,723**

(22) Filed: **Mar. 26, 2015**

(30) **Foreign Application Priority Data**

Sep. 26, 2014 (EP) 001422547

(51) **LOC (10) Cl.** **12-03**

(52) **U.S. Cl.**
USPC **D12/36**

(58) **Field of Classification Search**
USPC D12/36-51, 320, 195, 345, 99, 1, 82,
D12/84; 105/397, 404, 396; D26/69, 70, 72,
D26/74, 80, 81, 88, 90
CPC B61D 37/00; B61D 17/045; B61D 17/00;
B61D 17/12; B61D 29/00; B61D 17/041;
B61D 17/04; B61D 1/00; B61D 13/00;
B61D 17/043; B61D 17/005; B61D 19/00;
B61F 5/245; B60Q 3/025; B60Q 3/0256;
B60Q 3/0289; B60Q 3/02

See application file for complete search history.

(56) **References Cited**

U.S. PATENT DOCUMENTS

D188,475 S *	7/1960	Gurr	D12/36
D205,105 S *	6/1966	Clary	D12/36
D478,842 S *	8/2003	Deschenes	D12/43
D577,313 S *	9/2008	Graf	D12/38
D592,999 S *	5/2009	Chomiak	D12/36
D596,988 S *	7/2009	Chomiak	D12/36
D646,605 S *	10/2011	Okuyama	D12/36

FOREIGN PATENT DOCUMENTS

DE 102008050150 A1 * 4/2010 B61D 1/00

* cited by examiner

Primary Examiner — T. Chase Nelson

Assistant Examiner — Ania Aman

(74) *Attorney, Agent, or Firm* — Laurence Greenberg;
Werner Stemer; Ralph Locher

(57) **CLAIM**

The ornamental design for a rail vehicle, as shown and described.

DESCRIPTION

FIG. 1 is a front elevation view of the rail vehicle showing my new invention;
FIG. 2 is a rear elevation view thereof;
FIG. 3 is a top plan view thereof, at a reduced scale relative to FIGS. 1 and 2;
FIG. 4 is a bottom plan view thereof;
FIG. 5 is a left side elevation view thereof;
FIG. 6 is a right side elevation view thereof; and,
FIG. 7 is a front perspective view thereof, at a slightly enlarged scale.

1 Claim, 7 Drawing Sheets

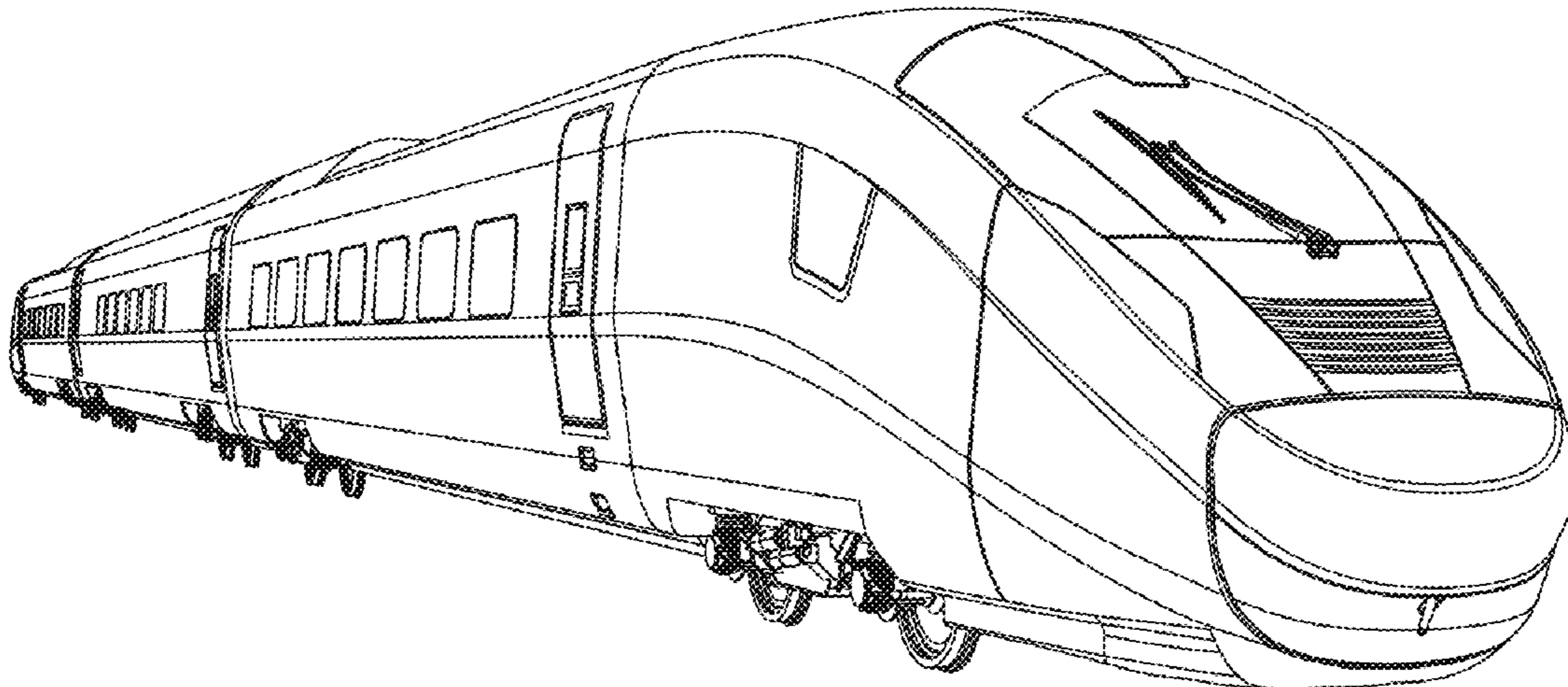


FIG. 1

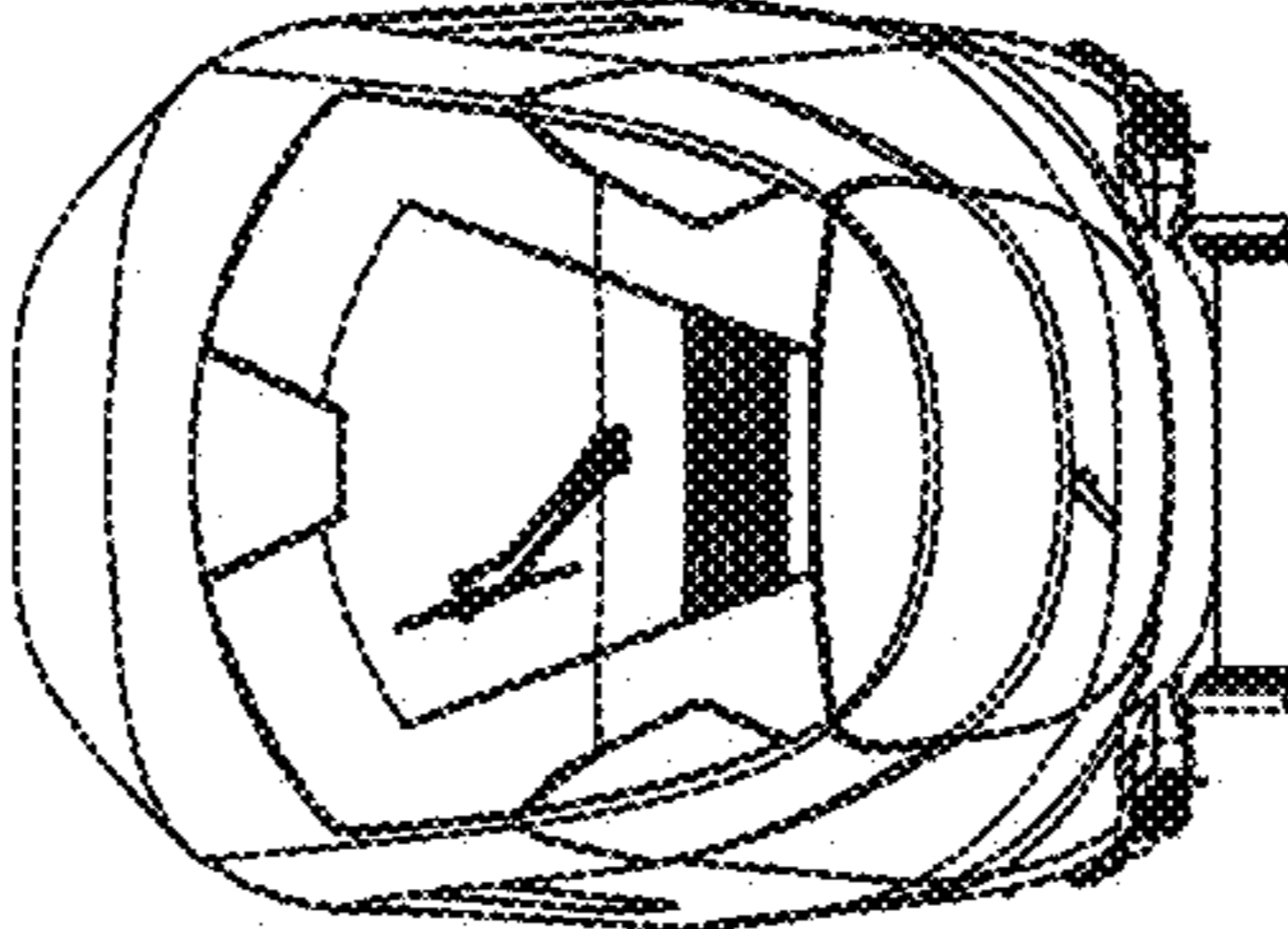


FIG. 2

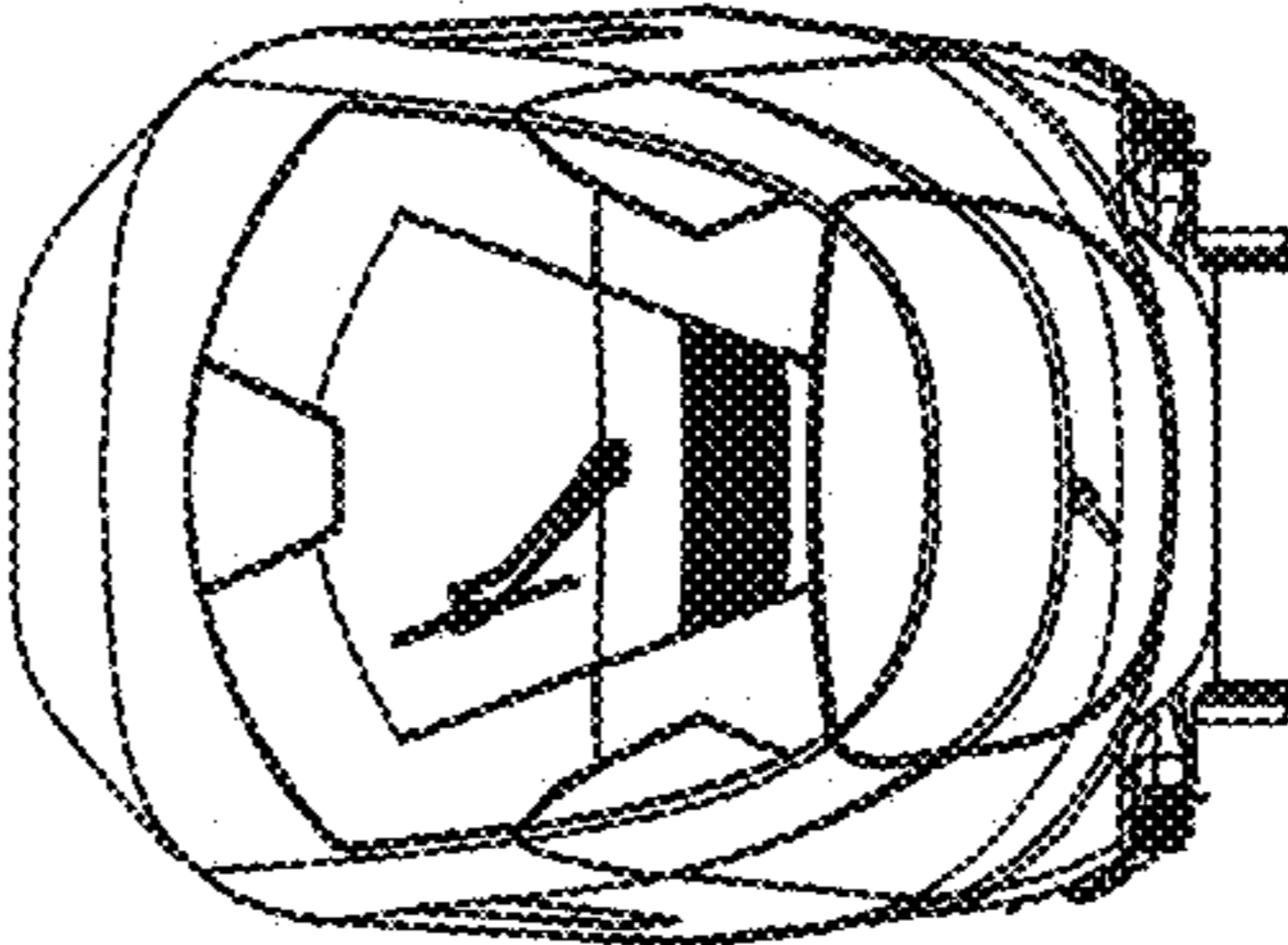


FIG. 3

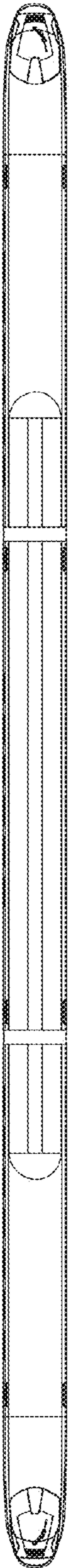


FIG. 4

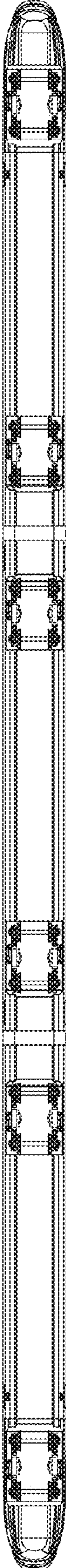


FIG. 5

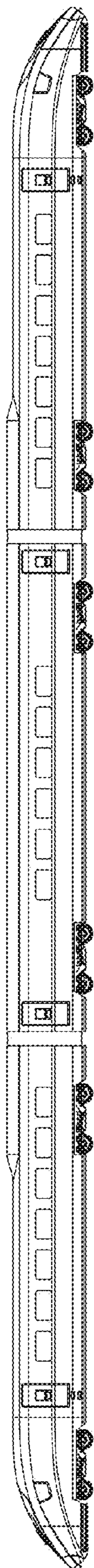


FIG. 6

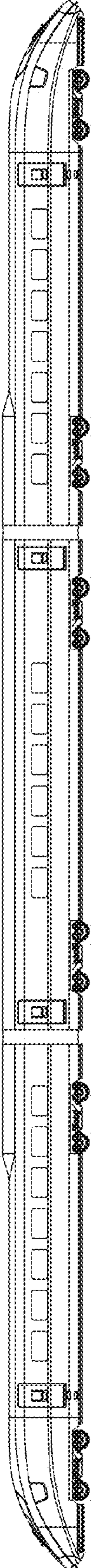


FIG. 7

