

US00D758918S

(12) **United States Design Patent**
Smith

(10) **Patent No.:** **US D758,918 S**
(45) **Date of Patent:** **** Jun. 14, 2016**

(54) **PLANTER BOTTOM PLATE**
(71) Applicant: **The Green Polka Dot Box Inc.**, Mt. Pleasant, UT (US)
(72) Inventor: **Rod A. Smith**, American Fork, UT (US)
(73) Assignee: **The Green Polka Dot Box Inc.**, Mount Pleasant, UT (US)
(**) Term: **14 Years**

4,403,446 A 9/1983 Wolfe
4,454,684 A 6/1984 O'Hare
4,669,217 A 6/1987 Frazee
4,756,120 A 7/1988 Arledge
4,813,176 A 3/1989 Takayasu
4,857,464 A 8/1989 Weathers
4,869,019 A 9/1989 Ehrlich
4,920,695 A 5/1990 Garden
4,926,586 A * 5/1990 Nagamatsu E04D 11/002
47/65.9
4,930,632 A * 6/1990 Eckert B65D 19/004
108/53.3

(Continued)

(21) Appl. No.: **29/514,882**
(22) Filed: **Jan. 16, 2015**
(51) **LOC (10) Cl.** **11-02**
(52) **U.S. Cl.**
USPC **D11/155**
(58) **Field of Classification Search**
USPC D6/403-405, 556-558, 683;
D11/143-156, 164; D7/587; D9/932
CPC A01G 9/02; A01G 9/021; A01G 9/022;
A01G 9/023; A01G 9/024; A01G 9/028;
A01G 9/04; A01G 9/042; A01G 9/10; A01G
9/12
See application file for complete search history.

FOREIGN PATENT DOCUMENTS

CA 2 488 178 2/2006

OTHER PUBLICATIONS

U.S. Appl. No. 29/514,880, filed Jan. 16, 2015, Smith.

Primary Examiner — Elizabeth Albert
(74) *Attorney, Agent, or Firm* — Workman Nydegger

(57) **CLAIM**

The ornamental design for a planter bottom plate, as shown and described.

DESCRIPTION

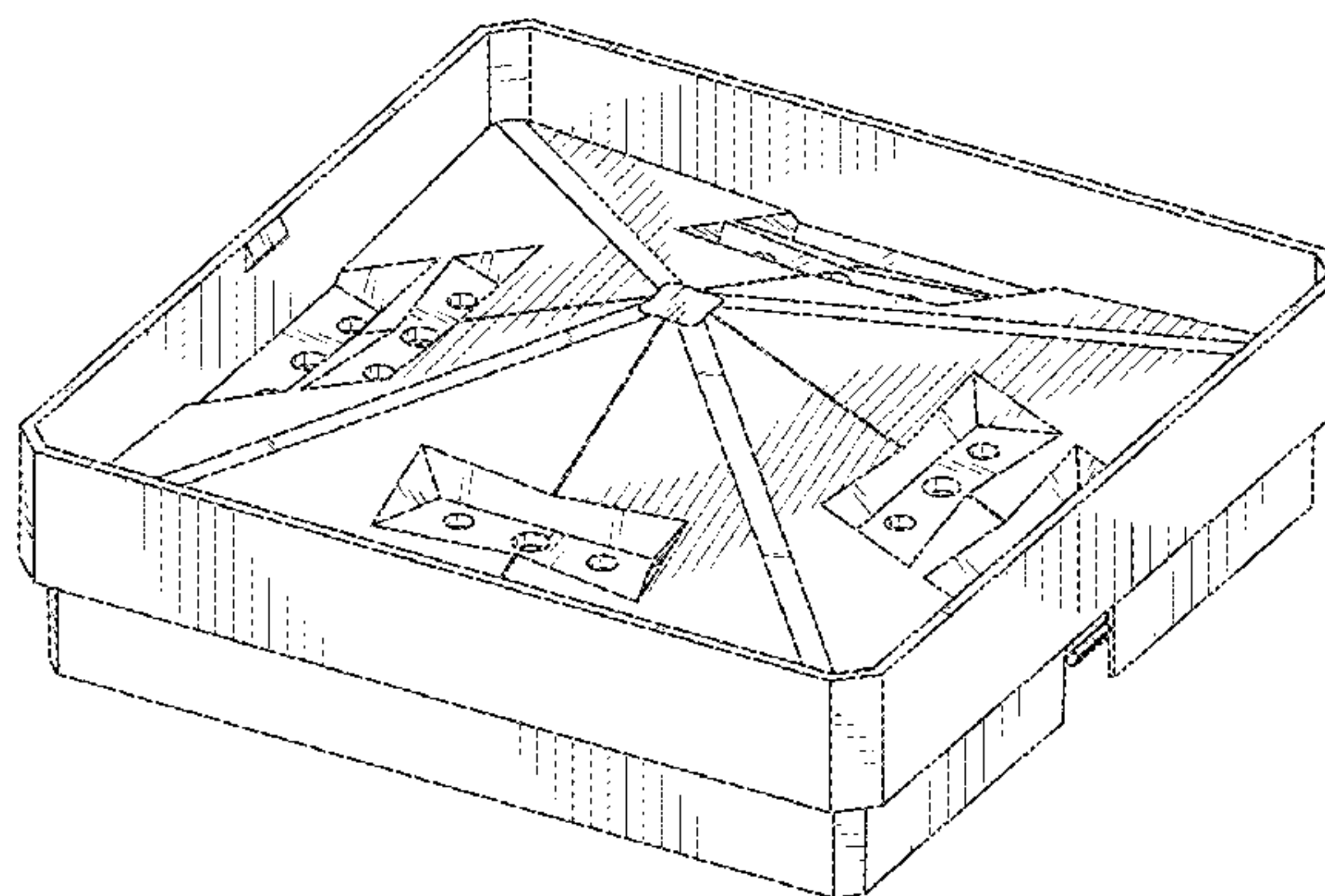
FIG. 1 is a perspective view of a planter bottom plate showing the new design;
FIG. 2 is a front elevational view thereof,
FIG. 3 is a rear elevational view thereof;
FIG. 4 is a right side elevational view thereof;
FIG. 5 is a left side elevational view thereof;
FIG. 6 is a top plan view thereof;
FIG. 7 is a bottom plan view thereof;
FIG. 8 is a cross-sectional view taken along cutting-plane lines 8-8 of FIGS. 6; and,
FIG. 9 is another perspective view thereof.
The broken lines in the drawing of FIG. 9 are included for the purpose of showing other articles that form no part of the claimed design.

1 Claim, 4 Drawing Sheets

(56) **References Cited**

U.S. PATENT DOCUMENTS

2,152,869 A 4/1939 Campbell
3,252,252 A 5/1966 Muelberger
3,396,488 A * 8/1968 Ries A01G 1/08
47/33
D218,629 S * 9/1970 Hasselbach D11/156
3,776,435 A * 12/1973 Smith B65D 19/004
108/53.3
3,892,982 A 7/1975 Holmes
3,944,070 A * 3/1976 Cardwell B65D 19/004
108/53.1
D242,266 S * 11/1976 Beh D11/156
4,033,072 A 7/1977 Kobayashi
4,216,617 A 8/1980 Schmidt
4,231,187 A 11/1980 Greenbaum
4,332,105 A 6/1982 Nir
4,380,136 A 4/1983 Karpisek



(56)

References Cited

U.S. PATENT DOCUMENTS

4,937,969 A	7/1990	Kawabe		5,595,021 A *	1/1997	Ripley, Sr.	E01C 13/083 47/65.9
4,951,416 A	8/1990	Guttridge		D390,546 S *	2/1998	Calfee	D14/451
4,986,027 A	1/1991	Harvey		5,724,768 A	3/1998	Ammann	
4,991,345 A	2/1991	Bloch		5,918,416 A	7/1999	Ammann	
5,031,359 A	7/1991	Moffett		D417,330 S *	11/1999	Kim	D99/25
5,036,976 A *	8/1991	Sechler	B65D 19/004 108/53.1	D422,769 S *	4/2000	Schmitt	D34/38
5,201,860 A	4/1993	Richardson		7,055,282 B2	6/2006	Bryan	
5,225,342 A	7/1993	Farrell		7,516,574 B2	4/2009	Gottlieb	
5,249,684 A *	10/1993	Sterett	B65D 11/00 206/503	7,617,632 B1	11/2009	Imm	
5,265,376 A	11/1993	Less		7,637,056 B2 *	12/2009	Tajima	A01G 9/00 47/65.9
5,276,997 A	1/1994	Swearengin		7,785,207 B2	8/2010	Henry	
5,287,652 A	2/1994	Delp		7,913,452 B1	3/2011	Imm	
5,363,594 A	11/1994	Davis		7,921,601 B2	4/2011	Henry	
5,381,625 A	1/1995	Wente		D638,743 S	5/2011	Bouchard	
5,394,647 A	3/1995	Blackford		D651,121 S *	12/2011	Grimme	D11/143
5,440,836 A	8/1995	Lee		D653,156 S	1/2012	Phelps	
5,467,555 A *	11/1995	Ripley, Sr.	E01C 13/083 220/7	8,096,892 B2	1/2012	Henry	
5,502,923 A	4/1996	Bradshaw		D658,536 S	5/2012	Roch	
5,555,676 A	9/1996	Lund		D658,537 S	5/2012	Simmons	
5,581,936 A *	12/1996	Belgiorno	A01G 9/10 47/18	D698,182 S *	1/2014	Schall	D6/403
				D726,585 S *	4/2015	Schall	D11/155
				2014/0000162 A1	1/2014	Blank	
				2014/0026480 A1 *	1/2014	Lenhart, Jr.	A01G 1/007 47/65.9
				2015/0195996 A1 *	7/2015	Schall	B65D 19/18 47/65.5

* cited by examiner

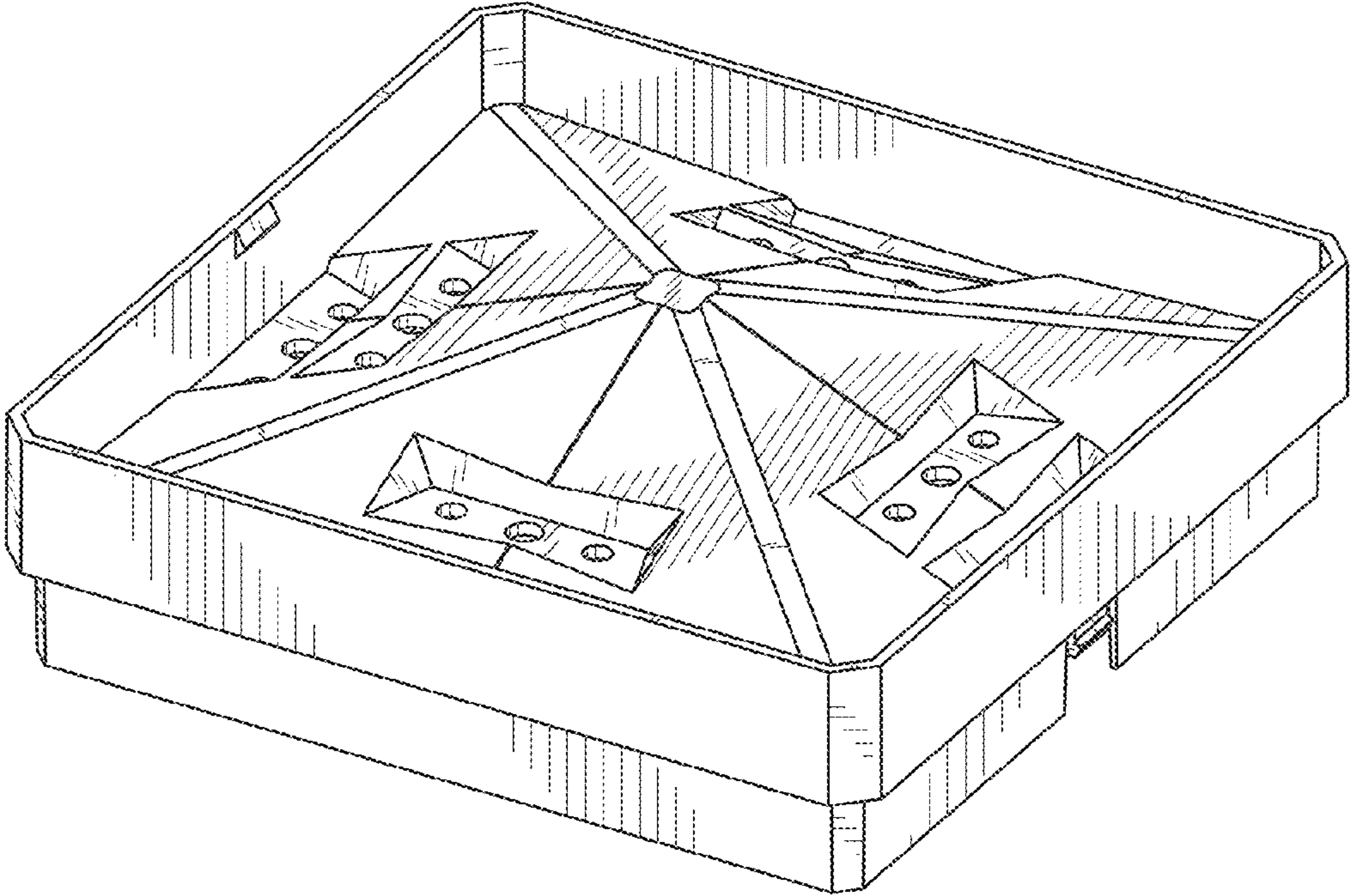


FIG. 1

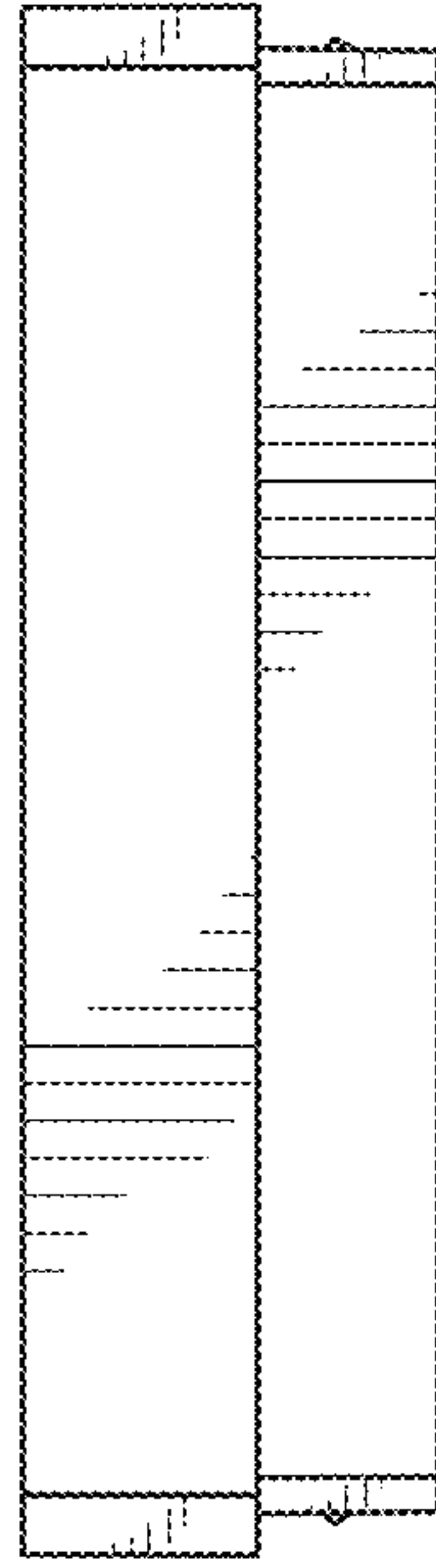


FIG. 2

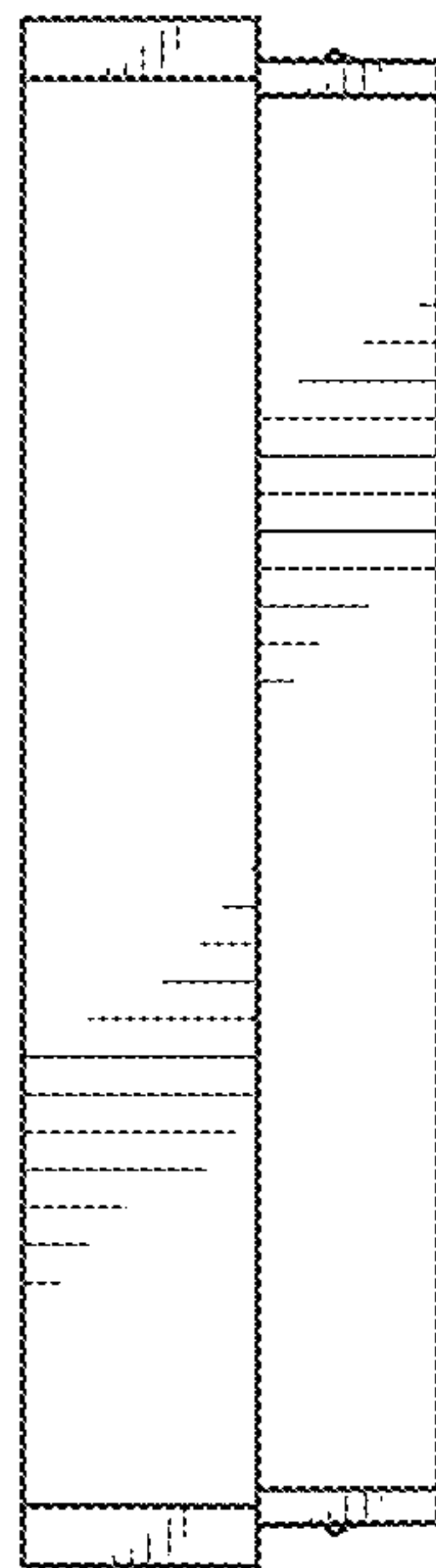


FIG. 3

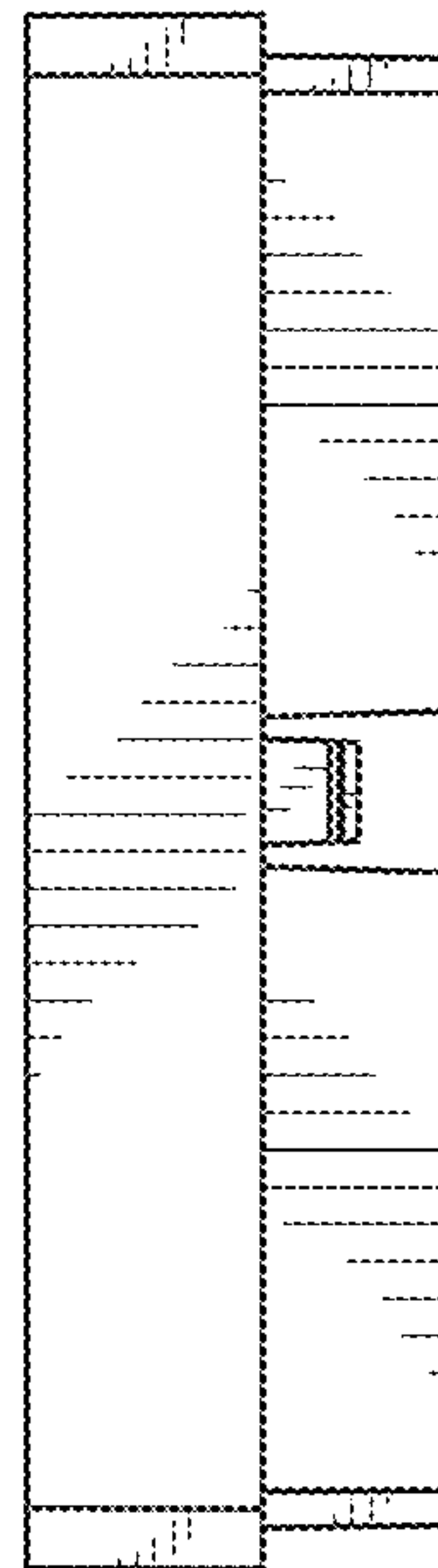


FIG. 4

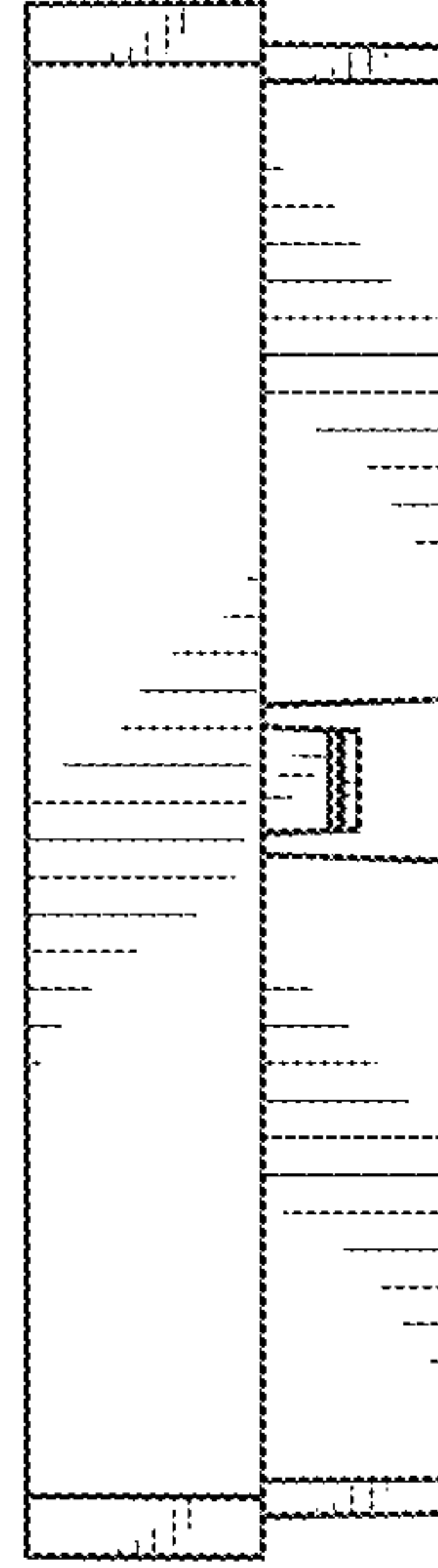


FIG. 5

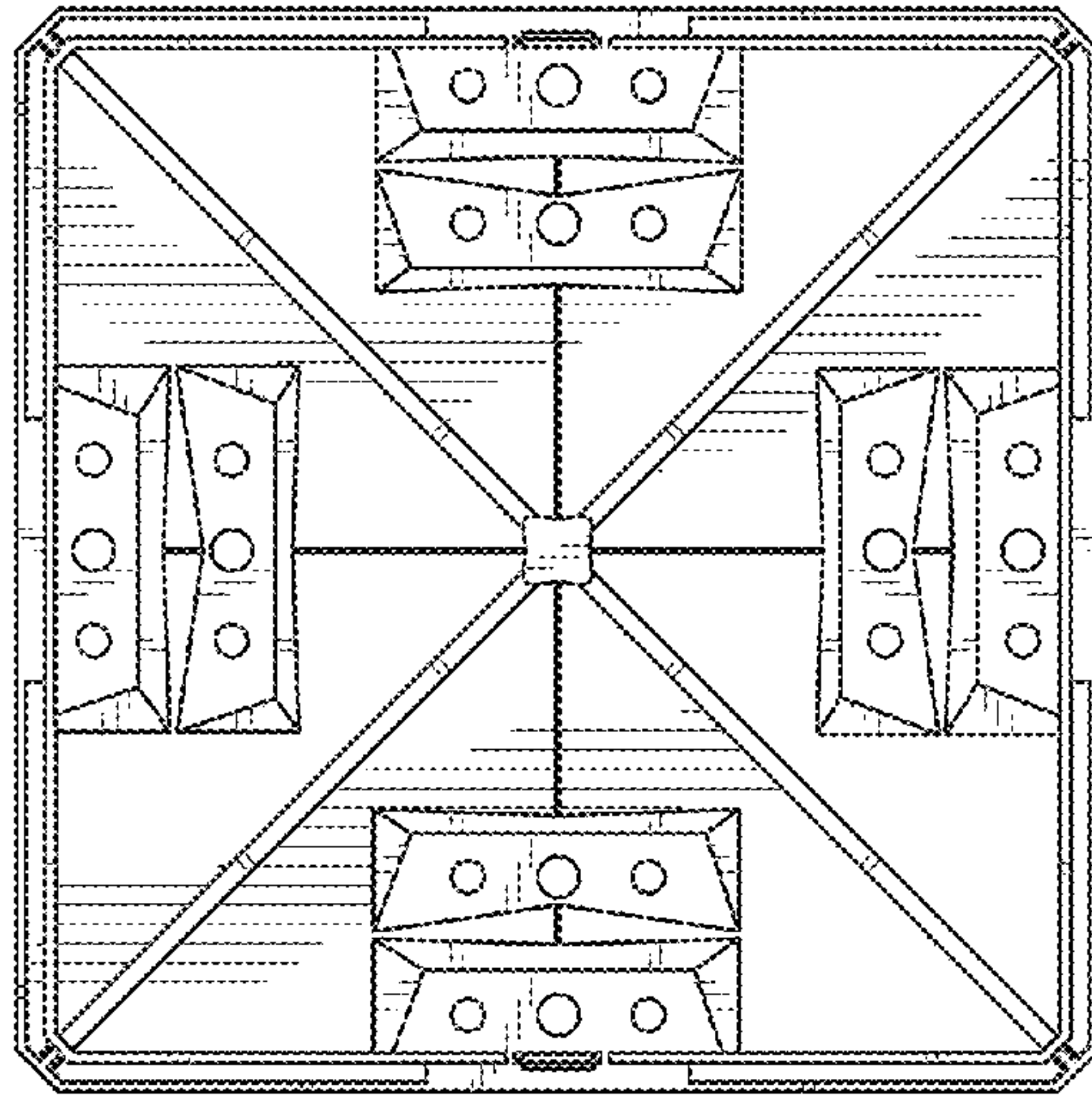


FIG. 7

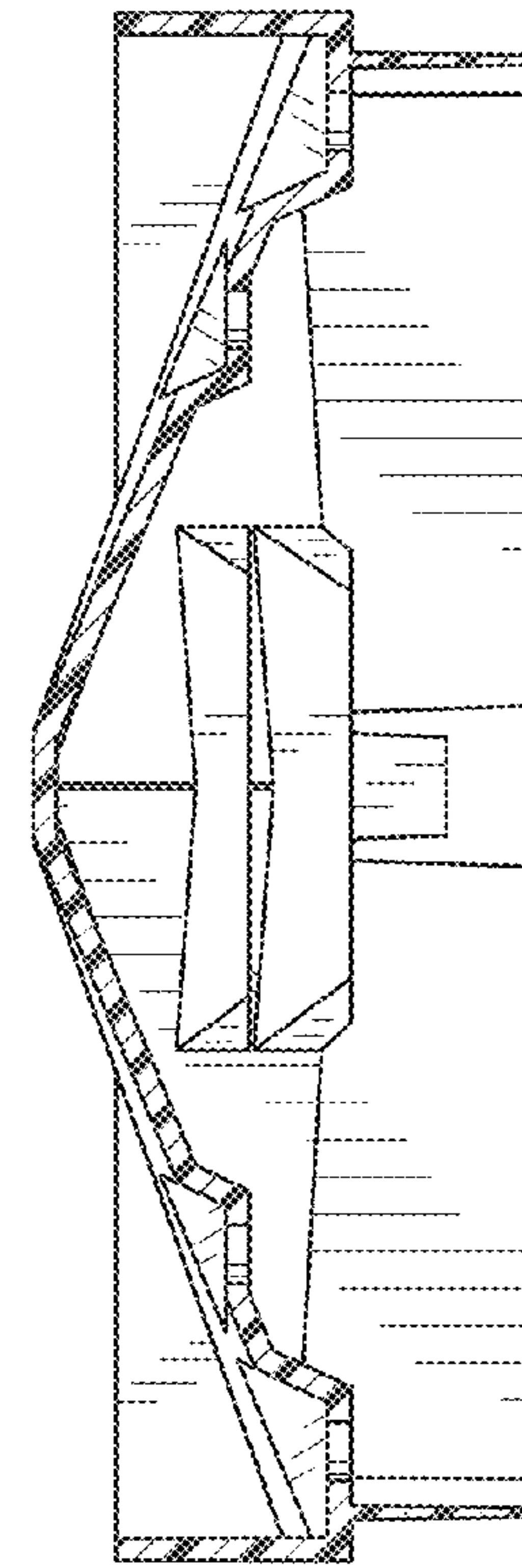


FIG. 8

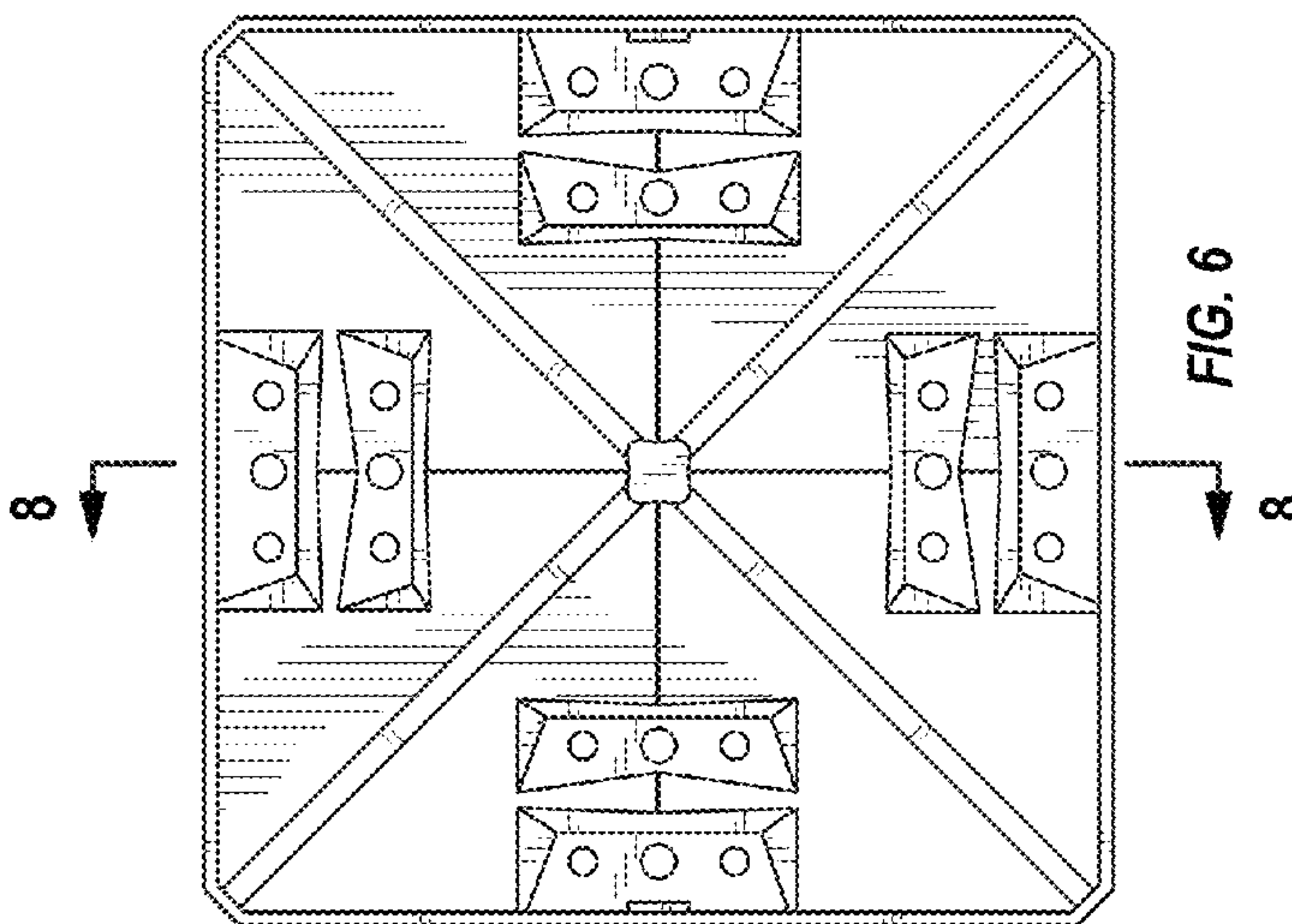


FIG. 6

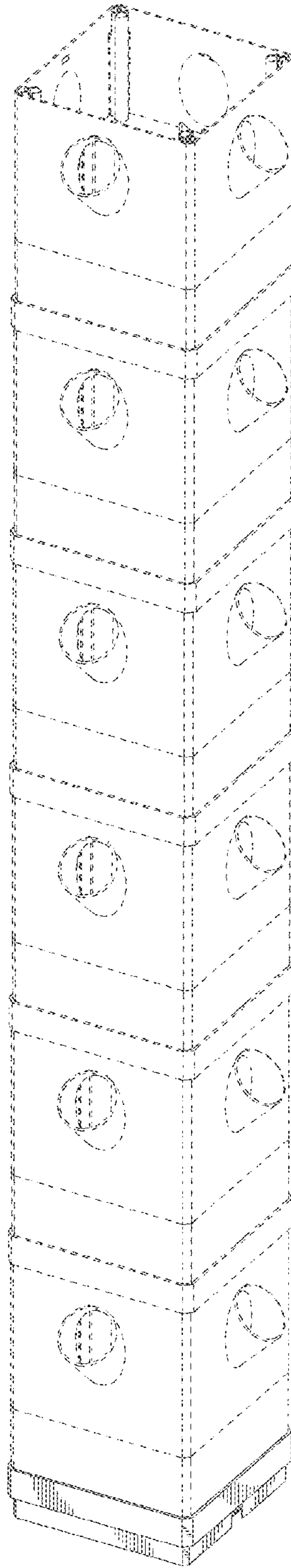


FIG. 9