



US00D758914S

(12) **United States Design Patent**
MacKenzie

(10) **Patent No.:** **US D758,914 S**
(45) **Date of Patent:** **** Jun. 14, 2016**

(54) **PLANTER RISER**
(71) Applicant: **Hortech, Inc.**, Nunica, MI (US)
(72) Inventor: **David S. MacKenzie**, Nunica, MI (US)
(73) Assignee: **Hortech, Inc.**, Nunica, MI (US)
(**) Term: **14 Years**
(21) Appl. No.: **29/516,754**
(22) Filed: **Feb. 5, 2015**
(51) **LOC (10) Cl.** **11-02**
(52) **U.S. Cl.**
USPC **D11/143**
(58) **Field of Classification Search**
USPC D6/403-405, 556-558, 683;
D11/143-156, 164; D7/587; D9/932
CPC A01G 9/02; A01G 9/021; A01G 9/022;
A01G 9/023; A01G 9/024; A01G 9/028;
A01G 9/04; A01G 9/042; A01G 9/10; A01G
9/12
See application file for complete search history.

4,926,586 A 5/1990 Nagamatsu
4,999,946 A 3/1991 DeGiglio et al.
5,022,183 A 6/1991 Bohlmann
D317,864 S * 7/1991 Turk D9/424
D322,048 S * 12/1991 Saarinen D11/155
D324,834 S * 3/1992 Saarinen D11/155
D325,714 S * 4/1992 Karhiniemi D11/155
5,161,710 A 11/1992 Chumley
5,187,894 A 2/1993 Ripley, Sr. et al.
5,274,953 A * 1/1994 Nicholson A01G 9/104
47/87
5,309,846 A 5/1994 Peterson
5,467,555 A 11/1995 Ripley, Sr. et al.
5,595,021 A 1/1997 Ripley, Sr. et al.
5,953,859 A 9/1999 Cochran et al.
6,178,690 B1 1/2001 Yoshida et al.
6,237,285 B1 5/2001 Yoshida et al.
6,237,286 B1 * 5/2001 Willames A01F 9/088
47/66.5
6,536,361 B1 3/2003 Wu
(Continued)

FOREIGN PATENT DOCUMENTS

DE 3535448 A1 4/1987
DE 3712867 A1 11/1988
(Continued)

Primary Examiner — Elizabeth Albert
(74) *Attorney, Agent, or Firm* — Price Heneveld LLP

(56) **References Cited**
U.S. PATENT DOCUMENTS

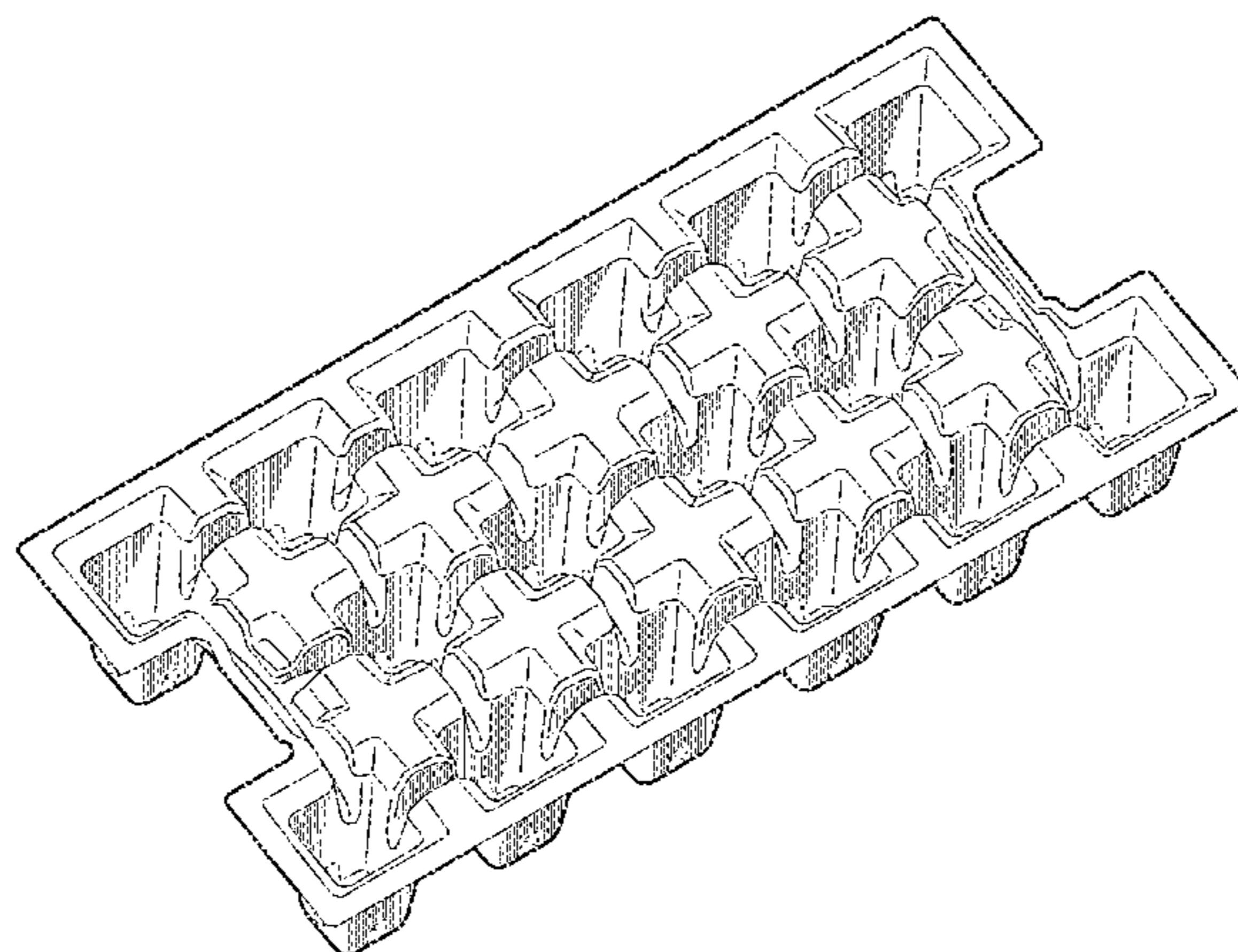
2,423,724 A 7/1947 Paxton
2,655,283 A 10/1953 Moldt
3,386,608 A 6/1968 Diller
3,539,071 A * 11/1970 Ludder B65D 57/00
206/427
3,561,158 A * 2/1971 Marcan A01G 9/104
220/23.6
3,651,976 A 3/1972 Chadbourne
4,058,930 A 11/1977 Miles
4,111,585 A 9/1978 Mascaro
4,111,892 A 9/1978 Kamada et al.
4,118,892 A 10/1978 Nakamura et al.
D275,366 S * 9/1984 Maxwell D9/425
D277,837 S * 3/1985 Turunen D11/155
4,769,946 A * 9/1988 de Groot A01F 9/104
47/73
4,799,590 A * 1/1989 Furman B65D 1/30
206/390

(57) **CLAIM**
The ornamental design for a planter riser, as shown and described.

DESCRIPTION

FIG. 1 is a perspective view of a planter riser showing my new design;
FIG. 2 is a top plan view thereof;
FIG. 3 is a bottom plan view thereof;
FIG. 4 is a front elevational view thereof; and,
FIG. 5 is a side elevational view thereof.
The broken lines are included to show features that form no part of the claimed design.

1 Claim, 4 Drawing Sheets



(56)

References Cited

U.S. PATENT DOCUMENTS

6,546,670 B2 * 4/2003 Bautner A01G 9/104
47/65.8
6,606,823 B1 8/2003 McDonough et al.
6,651,384 B1 * 11/2003 Williams A01G 9/104
47/66.5
6,711,851 B2 3/2004 Mischo
6,862,842 B2 3/2005 Mischo
D540,711 S * 4/2007 Howard D11/155
D590,715 S * 4/2009 Gilfert D9/456
D616,267 S * 5/2010 Kulzer D7/701
D616,270 S * 5/2010 Kulzer D7/701

D616,714 S * 6/2010 Kulzer D7/701
D616,715 S * 6/2010 Kulzer D7/701
D628,450 S * 12/2010 Kulzer D7/553.2
D632,960 S * 2/2011 Gilfert D9/456
8,707,620 B2 * 4/2014 Miller A01G 9/104
47/66.5

2004/0040209 A1 3/2004 Layt et al.

FOREIGN PATENT DOCUMENTS

FR 2703213 A1 10/1994
GB 2074433 11/1981
JP 11-155369 6/1999

* cited by examiner

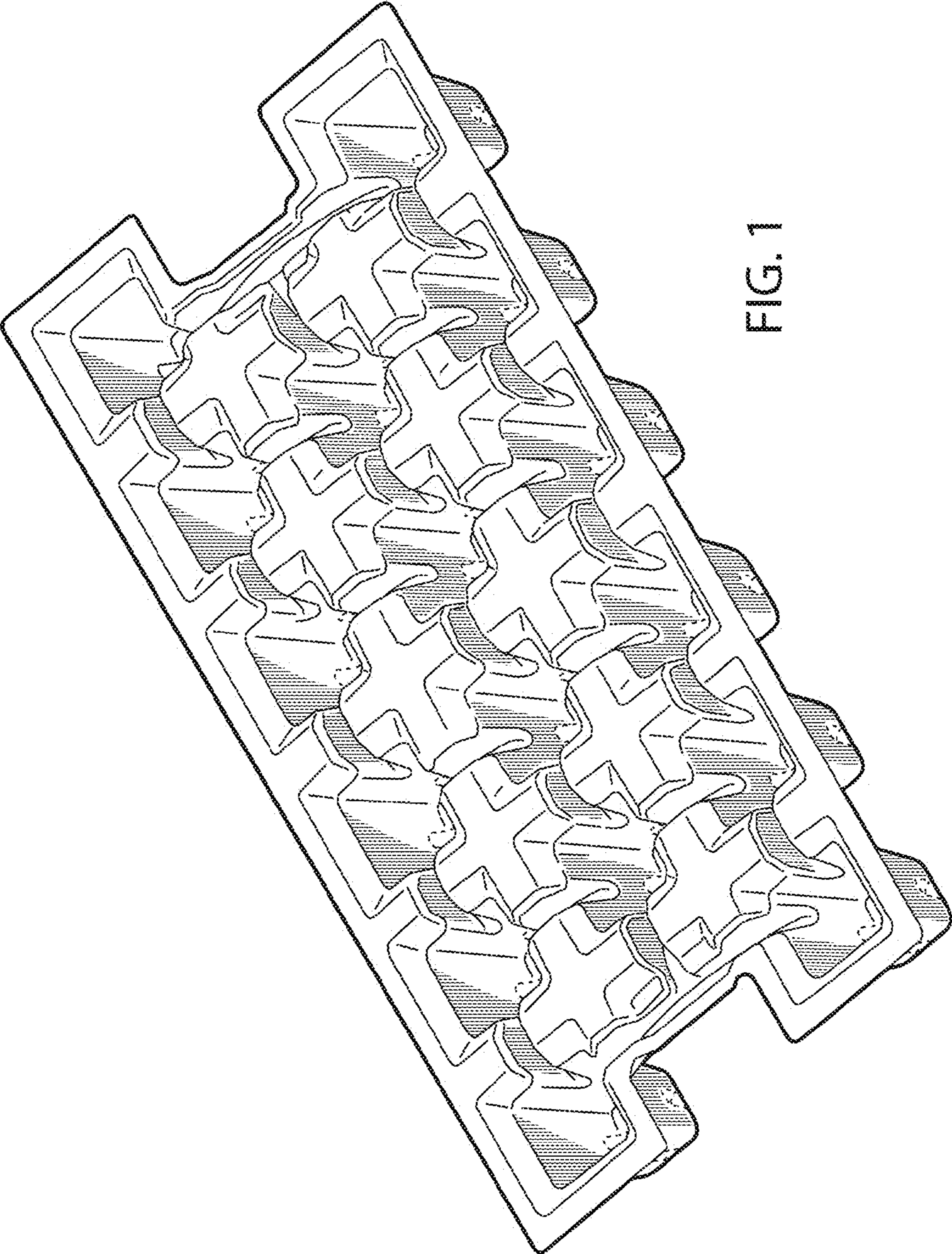


FIG. 1

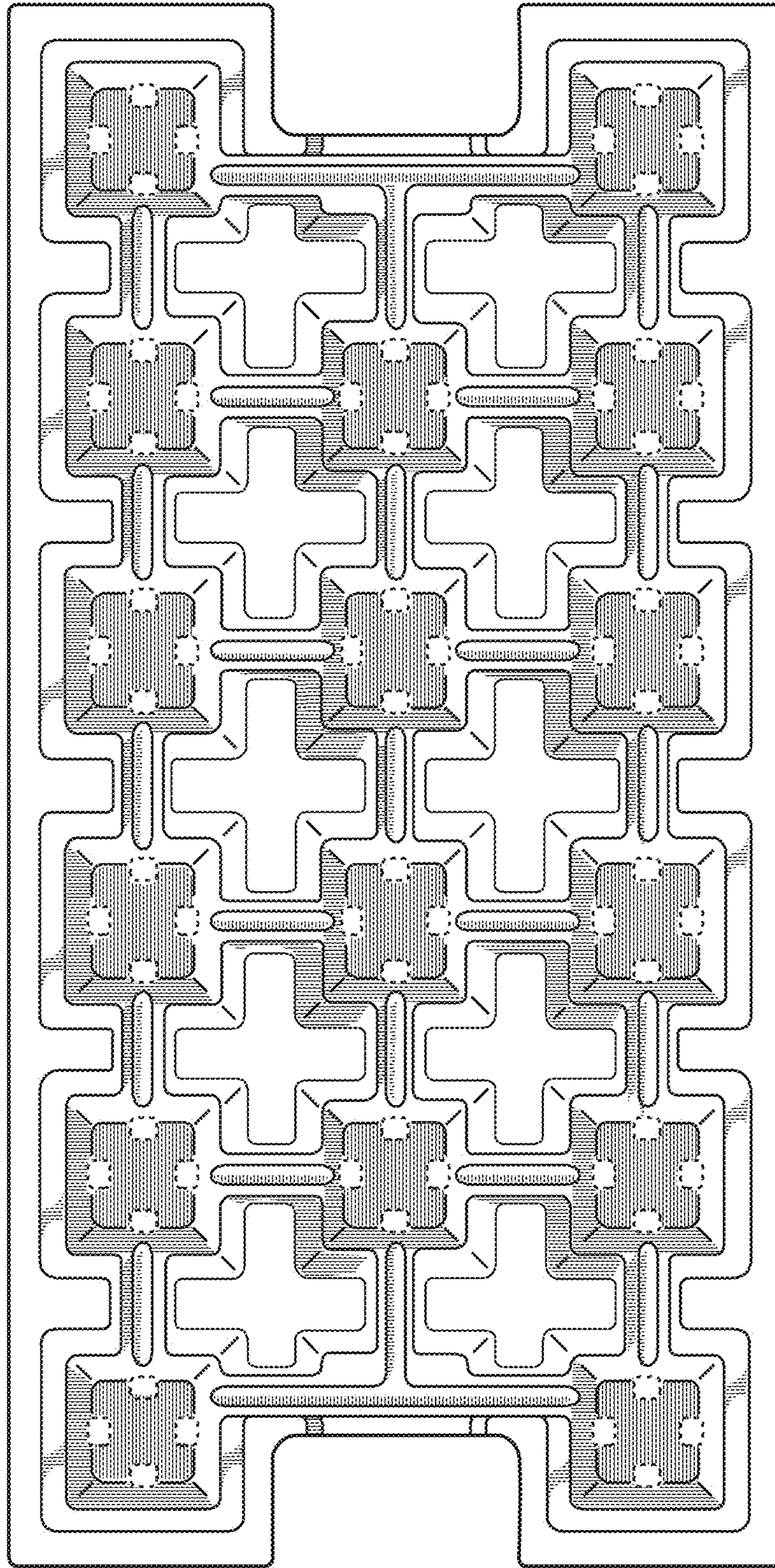


FIG. 2

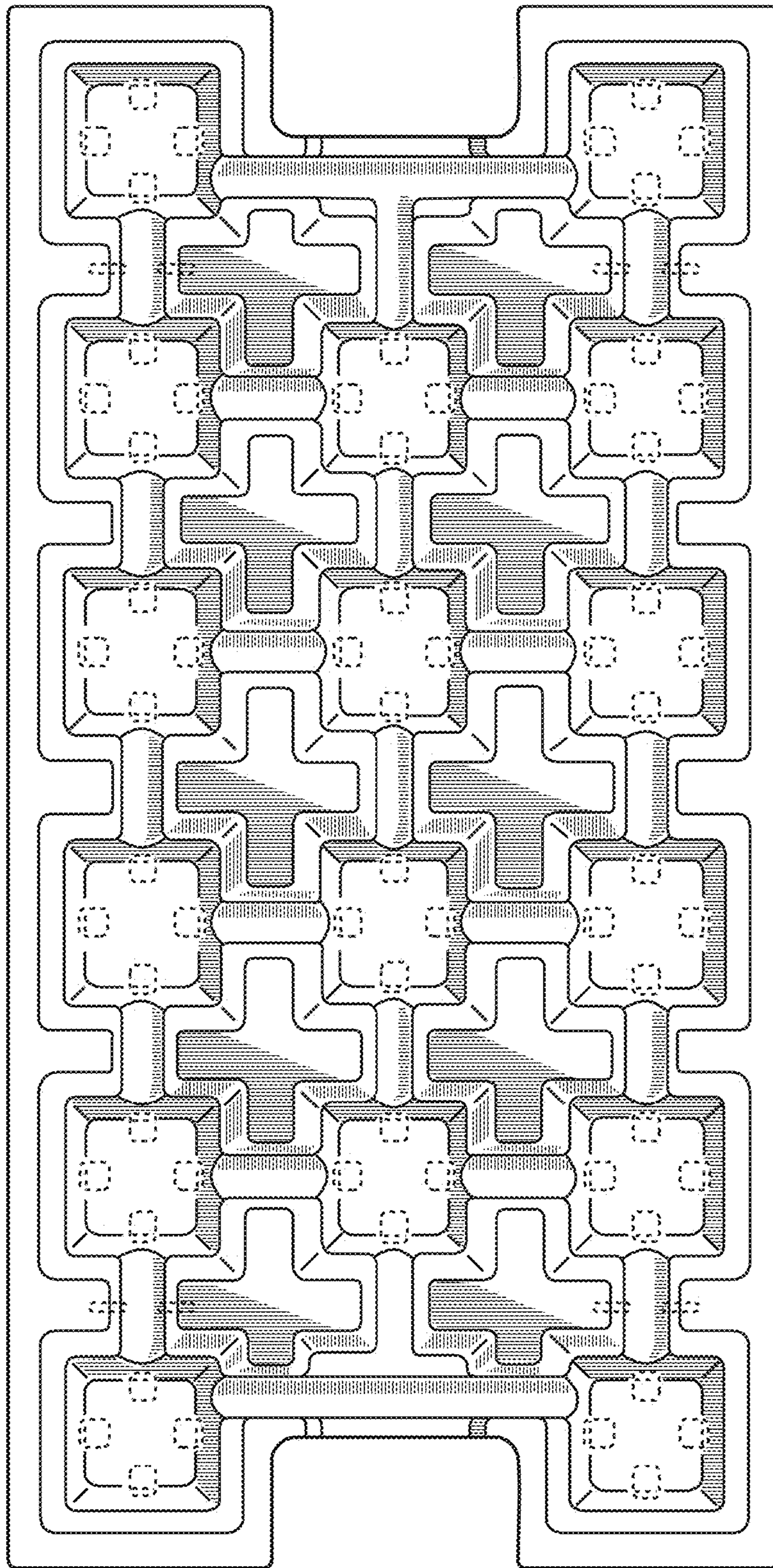


FIG. 3

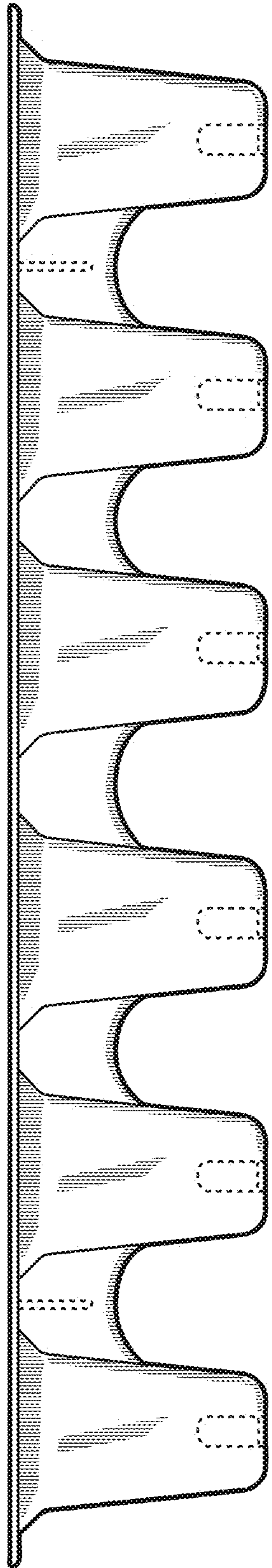


FIG. 4

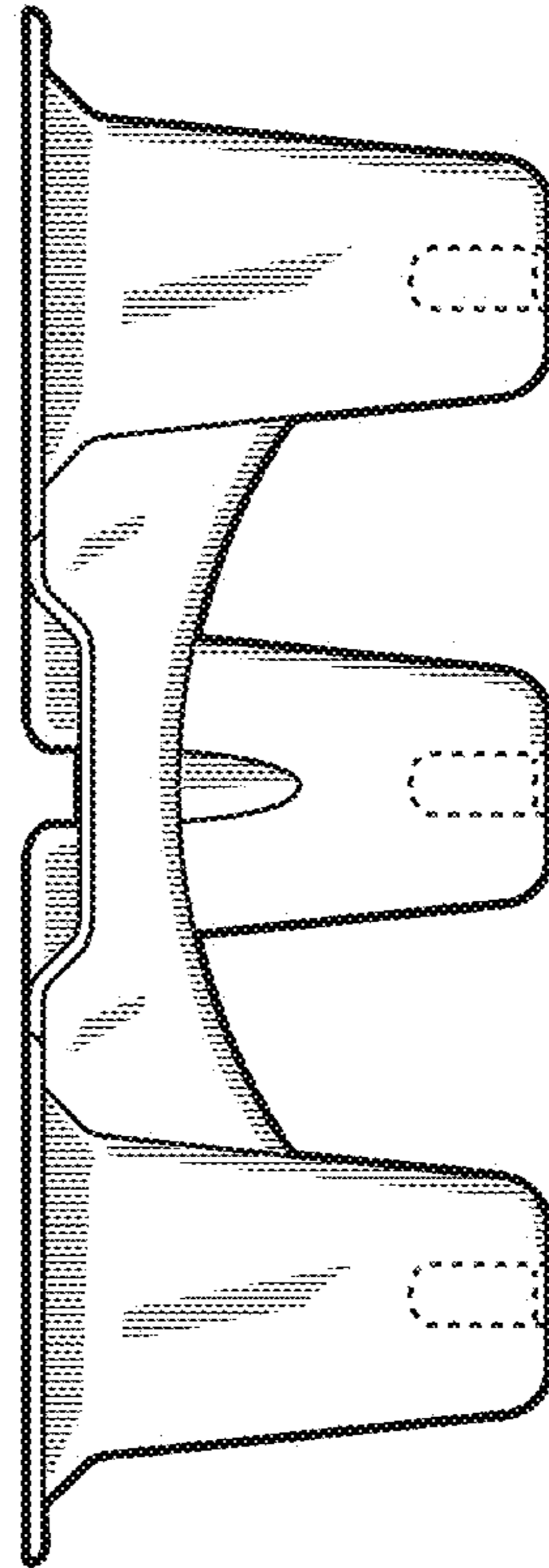


FIG. 5