



US00D758913S

(12) **United States Design Patent**  
**Ohlsson, Jr.**

(10) **Patent No.:** **US D758,913 S**  
(45) **Date of Patent:** **\*\* Jun. 14, 2016**

(54) **WREATH**  
(71) Applicant: **William E. Ohlsson, Jr.**, Canton, MI (US)  
(72) Inventor: **William E. Ohlsson, Jr.**, Canton, MI (US)  
(\*\*) Term: **15 Years**  
(21) Appl. No.: **29/531,107**  
(22) Filed: **Jun. 23, 2015**  
(51) **LOC (10) Cl.** ..... **11-04**  
(52) **U.S. Cl.**  
USPC ..... **D11/120**  
(58) **Field of Classification Search**  
USPC ..... D11/117, 120, 121, 125, 130, 131, 132, D11/133, 157; 428/7, 8, 9, 10, 12, 15, 20, 428/21, 22  
CPC ..... A01G 5/02; A01G 5/04; A01G 5/00; B44C 5/00; B44C 5/04; B44C 5/06; A47G 33/08  
See application file for complete search history.

3,591,442 A \* 7/1971 Matesi ..... A01G 5/04 40/587  
4,092,801 A \* 6/1978 Schoenherr ..... A01G 5/04 428/10  
4,133,922 A \* 1/1979 Smith ..... A47G 33/06 428/10  
5,080,939 A \* 1/1992 Eheler ..... A01G 5/04 428/10  
D340,672 S \* 10/1993 Adams ..... D11/120  
D344,249 S \* 2/1994 Carmichael ..... D11/120  
5,312,655 A \* 5/1994 Hultberg ..... A41G 1/00 428/10  
5,503,883 A \* 4/1996 Kell, Jr. .... A01G 5/04 264/DIG. 67  
D409,110 S \* 5/1999 Pool ..... D11/120  
7,217,446 B2 \* 5/2007 Moody ..... G09F 19/00 428/10  
2003/0058644 A1 \* 3/2003 Szymonds ..... B44C 5/00 362/122  
2005/0005513 A1 \* 1/2005 Walton ..... A01G 5/04 47/41.12

\* cited by examiner

*Primary Examiner* — Elizabeth J Oswecki  
(74) *Attorney, Agent, or Firm* — Harness, Dickey & Pierce, P.L.C.

(57) **CLAIM**  
The ornamental design for a wreath, as shown and described.

**DESCRIPTION**

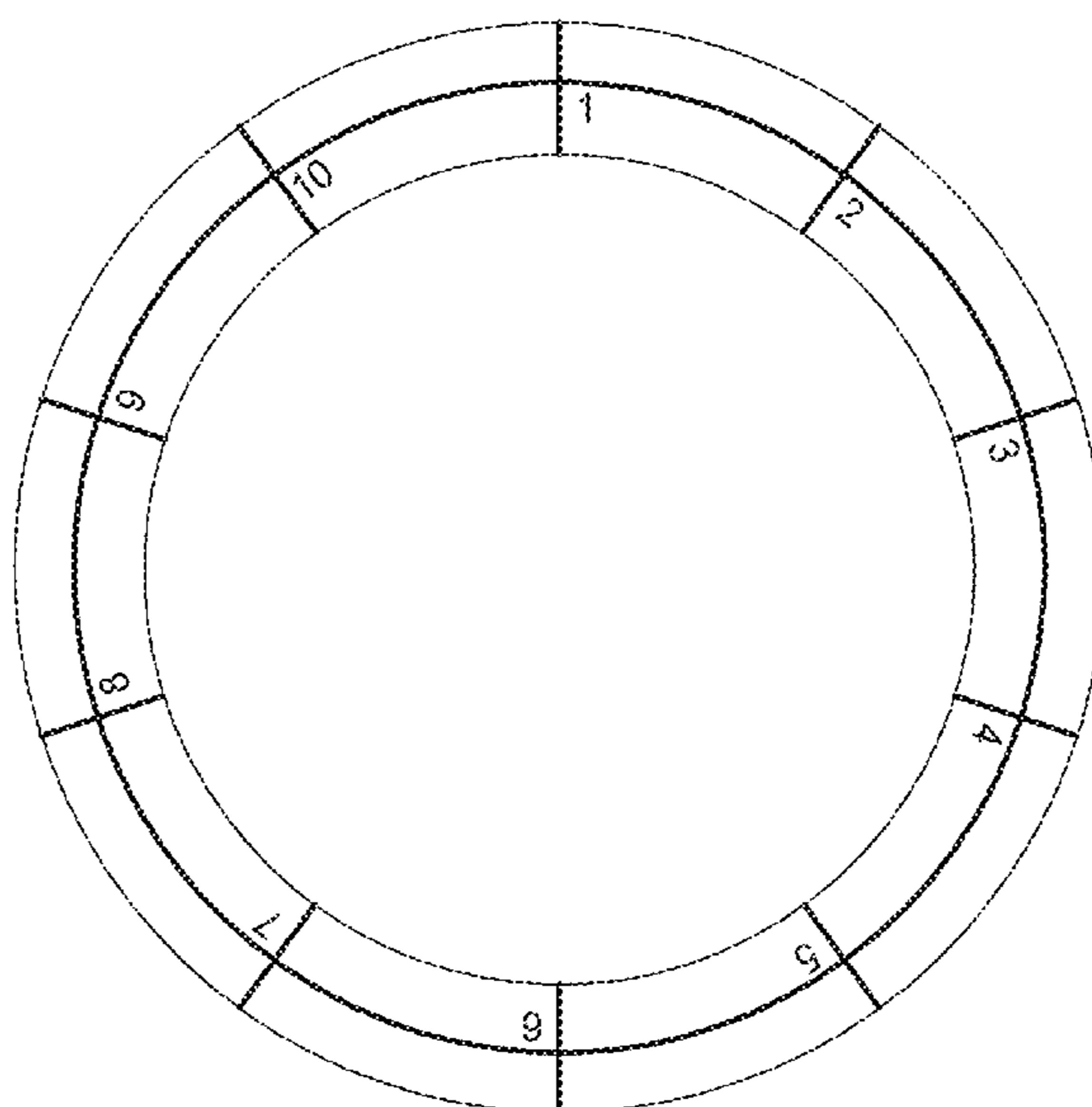
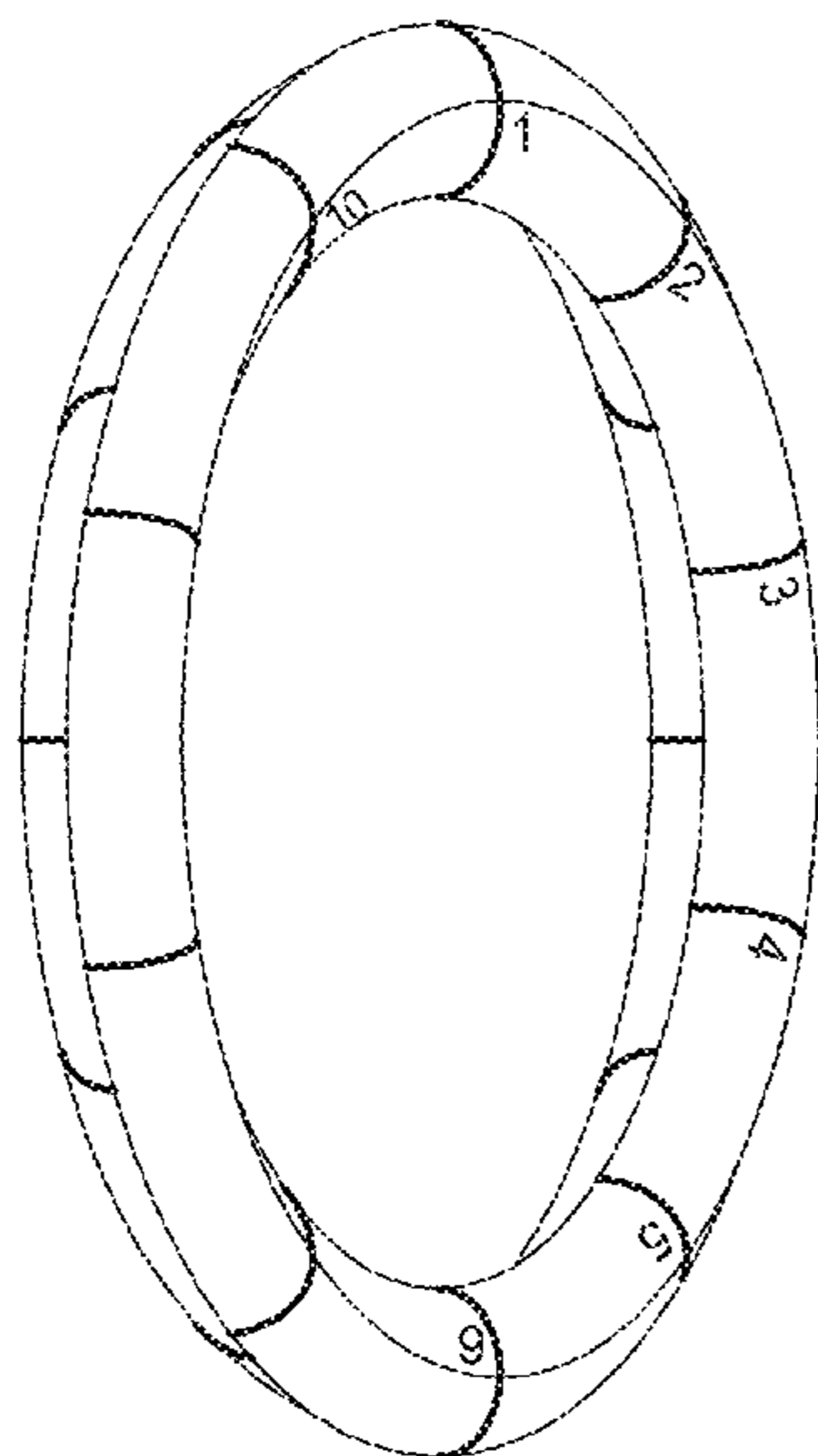
FIG. 1 is a perspective view of a wreath showing my new design;  
FIG. 2 is a front elevational view thereof;  
FIG. 3 is a left elevational view thereof;  
FIG. 4 is a rear elevational view thereof; and,  
FIG. 5 is a bottom plan view thereof.  
All surfaces not shown form no part of the claimed design.

**1 Claim, 3 Drawing Sheets**

(56) **References Cited**

**U.S. PATENT DOCUMENTS**

1,696,221 A \* 12/1928 Tubbs ..... A01G 5/04 428/10  
2,346,824 A \* 4/1944 Cohen ..... A01G 5/04 156/197  
2,499,740 A \* 3/1950 Glance ..... A01G 5/04 428/10  
3,511,736 A \* 5/1970 Nielsen ..... A01G 5/04 248/27.8  
3,526,992 A \* 9/1970 Foster ..... A01G 5/04 248/27.8



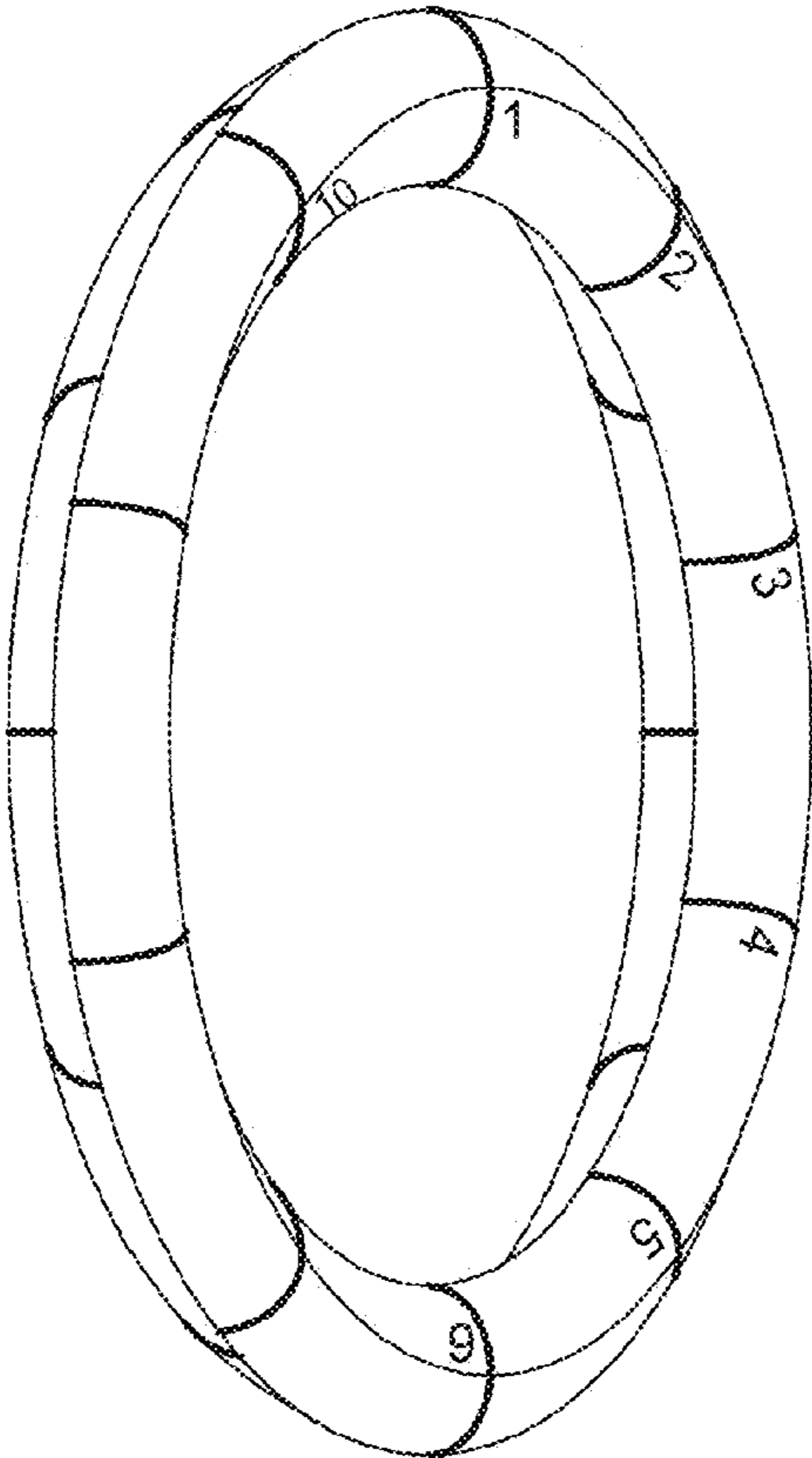


FIG 1

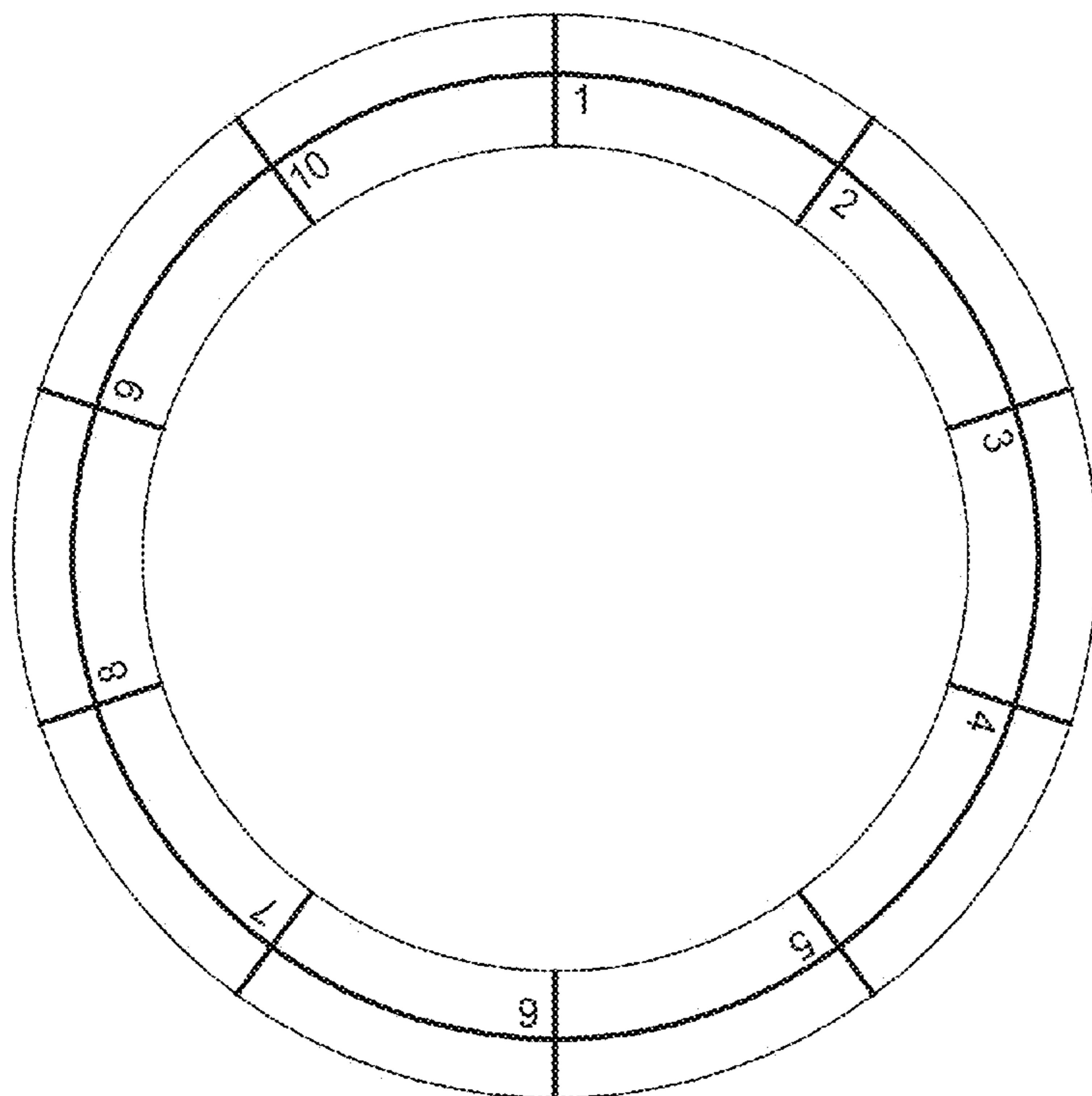


FIG 2

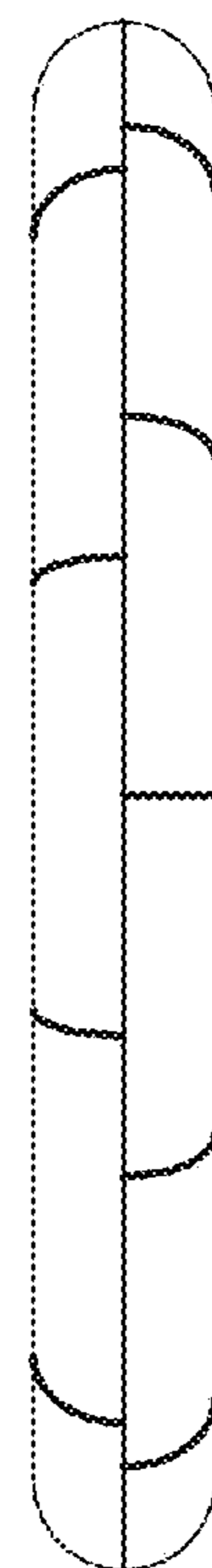


FIG 3

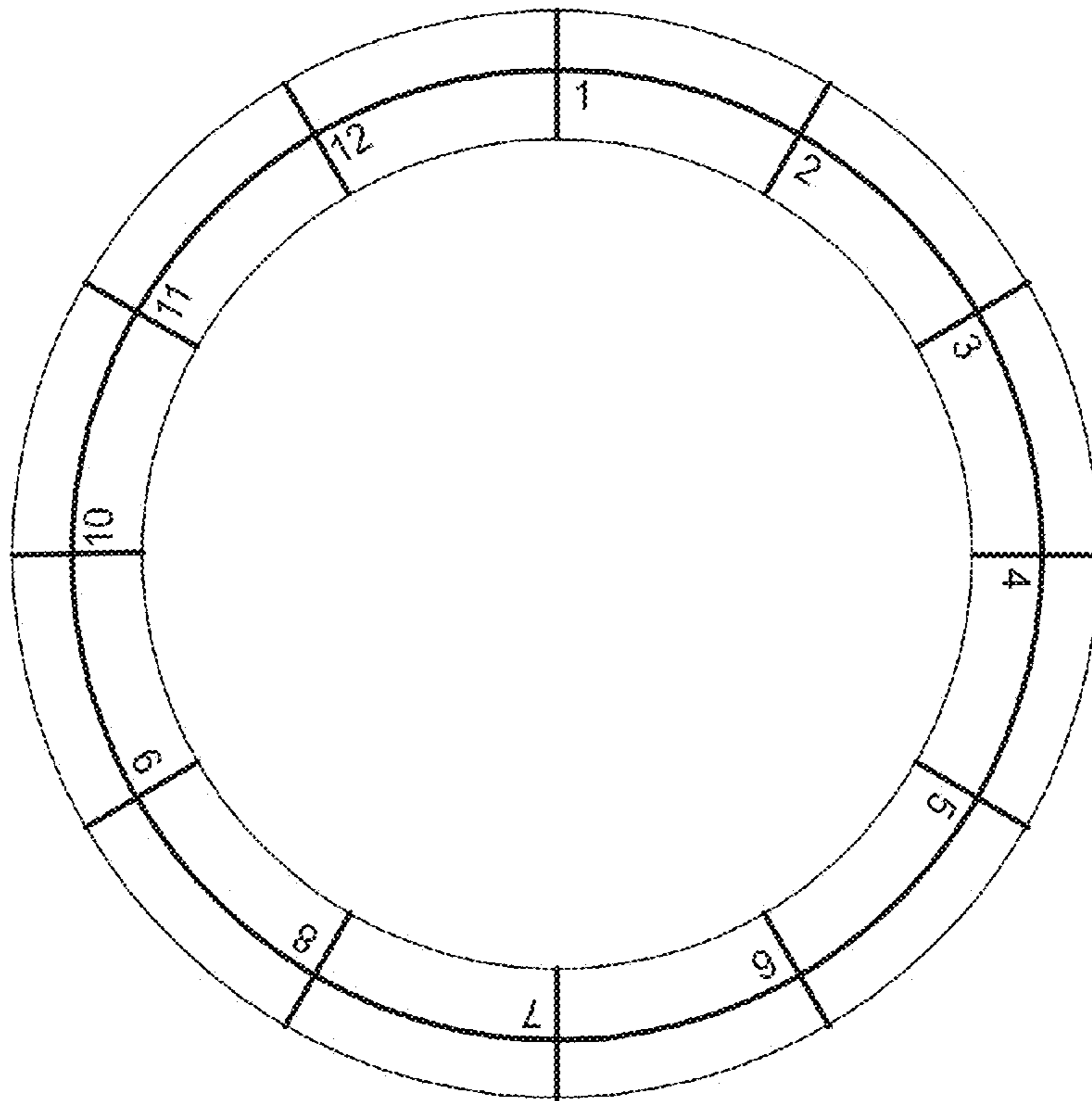


FIG 4

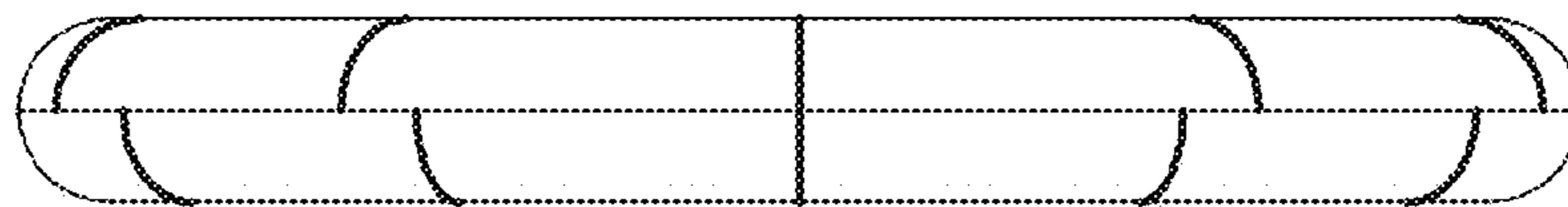


FIG 5