



US00D758911S

(12) **United States Design Patent**  
**Kwon**

(10) **Patent No.:** **US D758,911 S**  
(45) **Date of Patent:** **\*\* Jun. 14, 2016**

(54) **EARRING**

(71) Applicant: **HARRY WINSTON SA,**  
Plan-les-Ouates (CH)  
(72) Inventor: **Chaeree Kwon,** New York, NY (US)  
(73) Assignee: **HARRY WINSTON SA,** Plan-les-Ouates  
(CH)

(\*\*) Term: **14 Years**

(21) Appl. No.: **29/510,250**

(22) Filed: **Nov. 26, 2014**

(30) **Foreign Application Priority Data**

May 27, 2014 (WO) ..... DM/083684

(51) **LOC (10) Cl.** ..... **11-01**

(52) **U.S. Cl.**  
USPC ..... **D11/43**

(58) **Field of Classification Search**  
USPC ..... D11/1, 2, 40-48, 79, 80, 81, 86, 87, 88,  
D11/91, 92, 96, 84, 63, 67  
CPC ..... A44C 7/00; A44C 7/002; A44C 7/003;  
A44C 7/004; A44C 7/005; A44C 7/006;  
A44C 7/007; A44C 7/008; A44C 7/009;  
A44C 17/02; A44C 17/0208; A44C 17/0216;  
A44C 17/0255; A44C 17/0233; A44C  
17/0241; A44C 17/025; A44C 17/0258;  
A44C 17/0266; A44C 25/00; A44C 25/001;  
A44C 25/007

See application file for complete search history.

(56) **References Cited**

**U.S. PATENT DOCUMENTS**

D152,563 S \* 2/1949 Philippe ..... D11/43  
D154,592 S \* 7/1949 Duvalet ..... D11/90

D158,083 S \* 4/1950 Katz ..... D11/43  
D159,630 S \* 8/1950 Katz ..... D11/43  
D161,041 S \* 11/1950 Philippe ..... D11/43  
D161,462 S \* 1/1951 Katz ..... D11/90  
D161,465 S \* 1/1951 Katz ..... D11/43  
D164,719 S \* 10/1951 Philippe ..... D11/90  
D170,822 S \* 11/1953 Katz ..... D11/43  
D171,335 S \* 1/1954 Katz ..... D11/43  
D274,709 S \* 7/1984 Bulgari ..... D11/75  
D279,082 S \* 6/1985 Bulgari ..... D11/76  
D386,440 S \* 11/1997 Napper ..... D11/40  
D485,779 S \* 1/2004 Steckbeck ..... D11/7  
D689,392 S \* 9/2013 Parvex ..... D11/43  
D728,410 S \* 5/2015 Yatsugi-Kang ..... D11/43  
D747,666 S \* 1/2016 Yatsugi-Kang ..... D11/43

**OTHER PUBLICATIONS**

[Online] <http://www.harrywinston.com/en/sapphire-and-diamond-drop-earrings>. Retrieved Jan. 21, 2016.\*

(Continued)

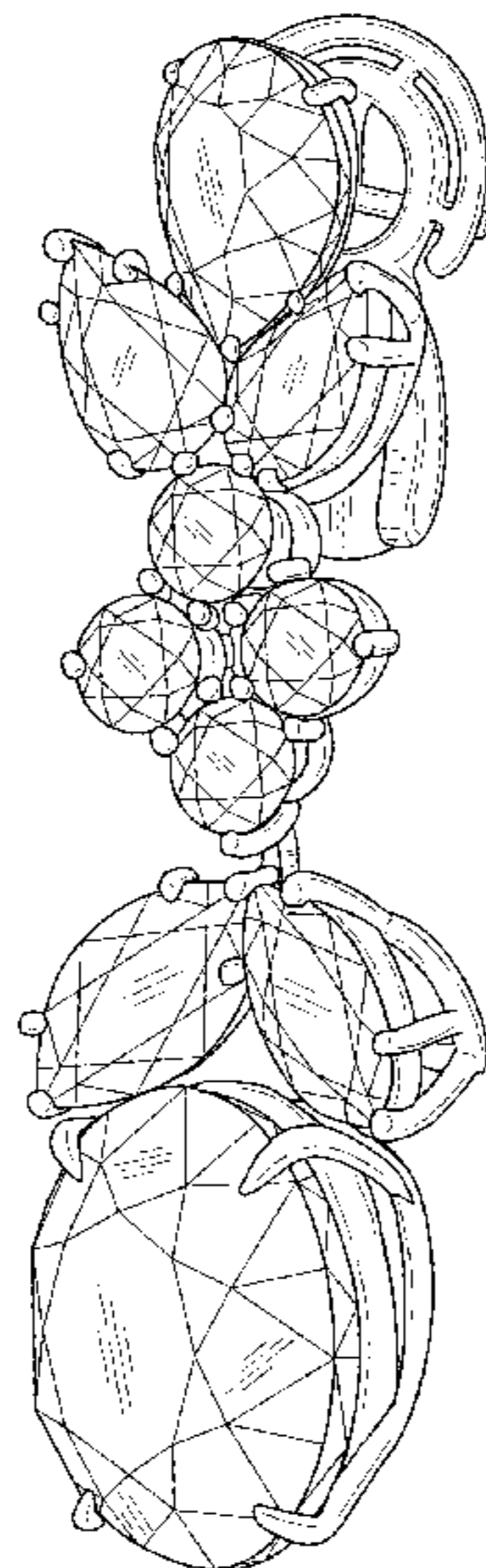
*Primary Examiner* — Cathron Brooks  
*Assistant Examiner* — Melanie Pellegrini  
(74) *Attorney, Agent, or Firm* — Donald J. Ranft; Kristen A. Mogavero; Collen IP

(57) **CLAIM**  
The ornamental design for an earring, as shown.

**DESCRIPTION**

FIG. 1 is a front right perspective view of an earring showing my new design;  
FIG. 2 is a front view thereof;  
FIG. 3 is a rear view thereof;  
FIG. 4 is a left side view thereof;  
FIG. 5 is a right side view thereof;  
FIG. 6 is a top view thereof;  
FIG. 7 is a bottom view thereof; and,  
FIG. 8 is a rear left perspective view thereof.

**1 Claim, 7 Drawing Sheets**



(56)

**References Cited**

OTHER PUBLICATIONS

[Online] [http://www.bluenile.com/emerald-diamond-earrings-18k-white-gold\\_55701?track=relatedItems&elem=offer](http://www.bluenile.com/emerald-diamond-earrings-18k-white-gold_55701?track=relatedItems&elem=offer). Retrieved Jan. 21, 2016.\*

[Online] [http://www.diamonds.net/Magazine/Files/Gallery/02\\_12\\_MAGAZINE%20ART/Auction%20Record%20Setters/Sapphire\\_and\\_Diamond\\_Earrings\\_WEB.jpg](http://www.diamonds.net/Magazine/Files/Gallery/02_12_MAGAZINE%20ART/Auction%20Record%20Setters/Sapphire_and_Diamond_Earrings_WEB.jpg). Retrieved Jan. 21, 2016.\*

\* cited by examiner

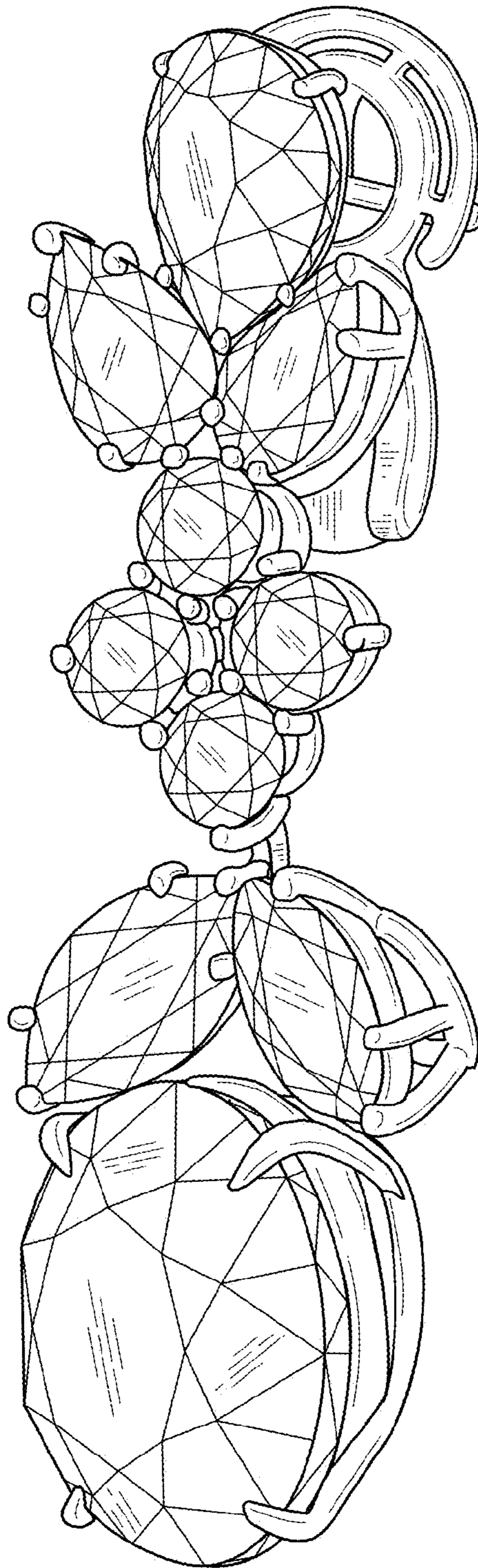


FIG. 1

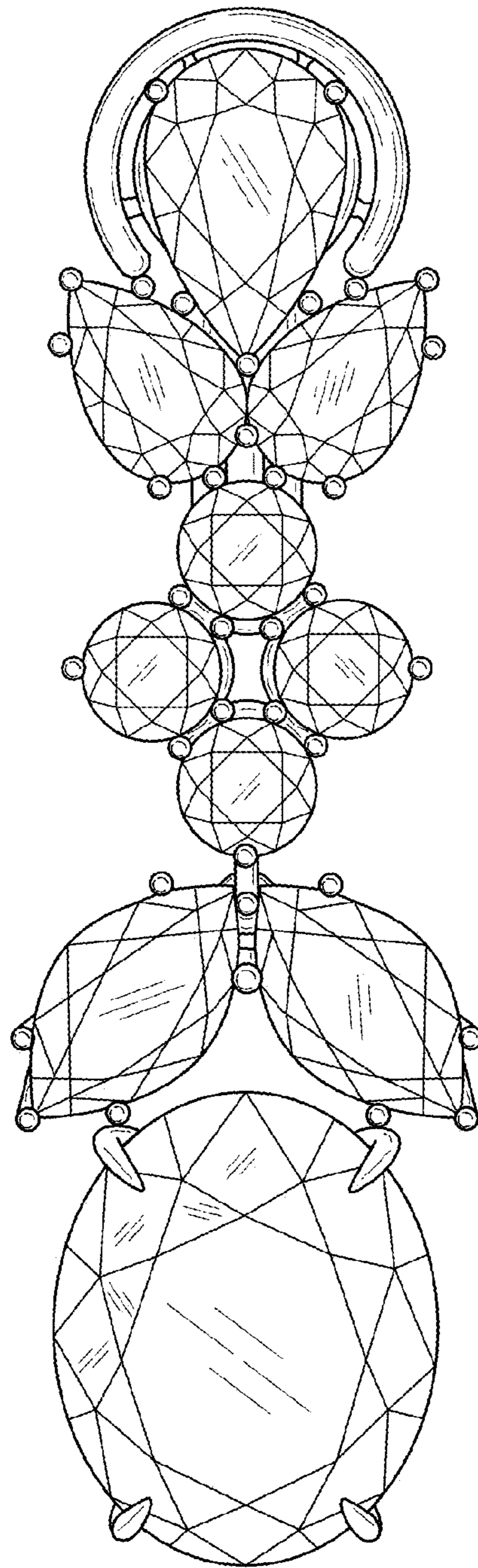


FIG. 2

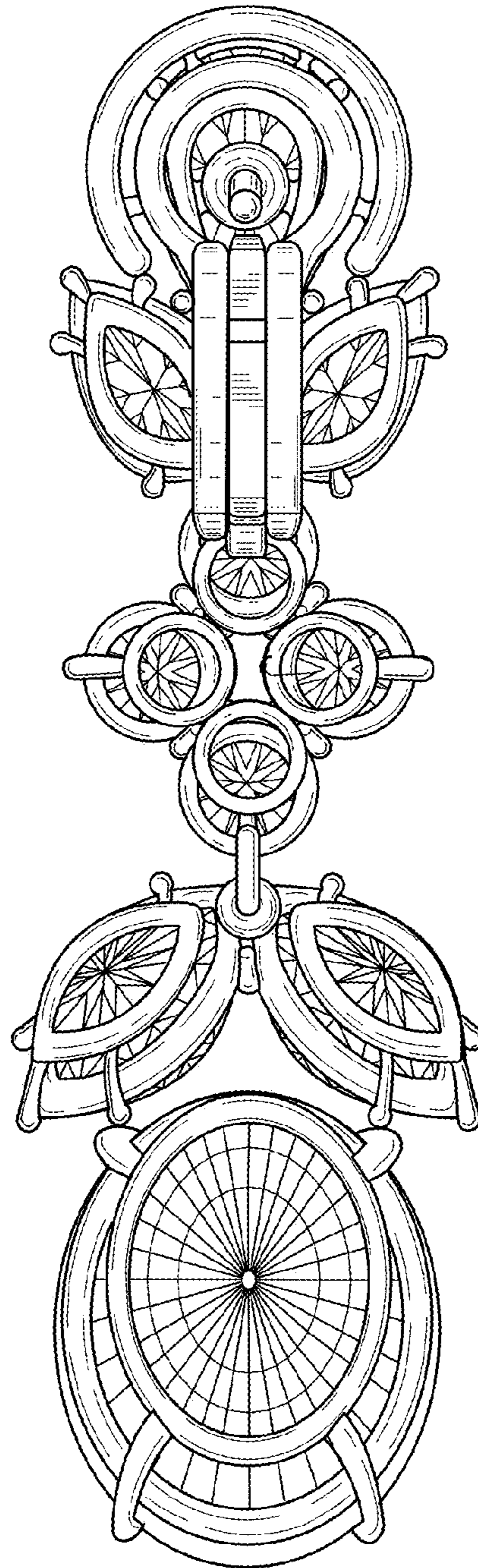


FIG. 3

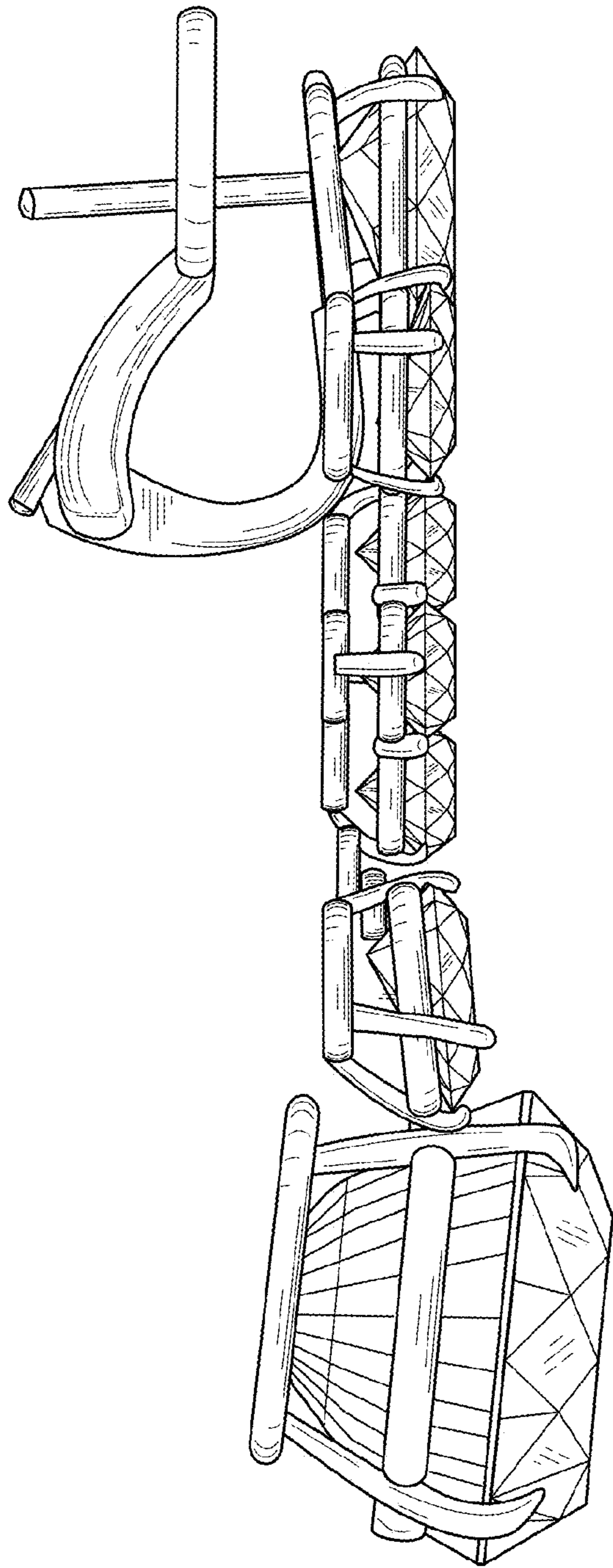


FIG. 4

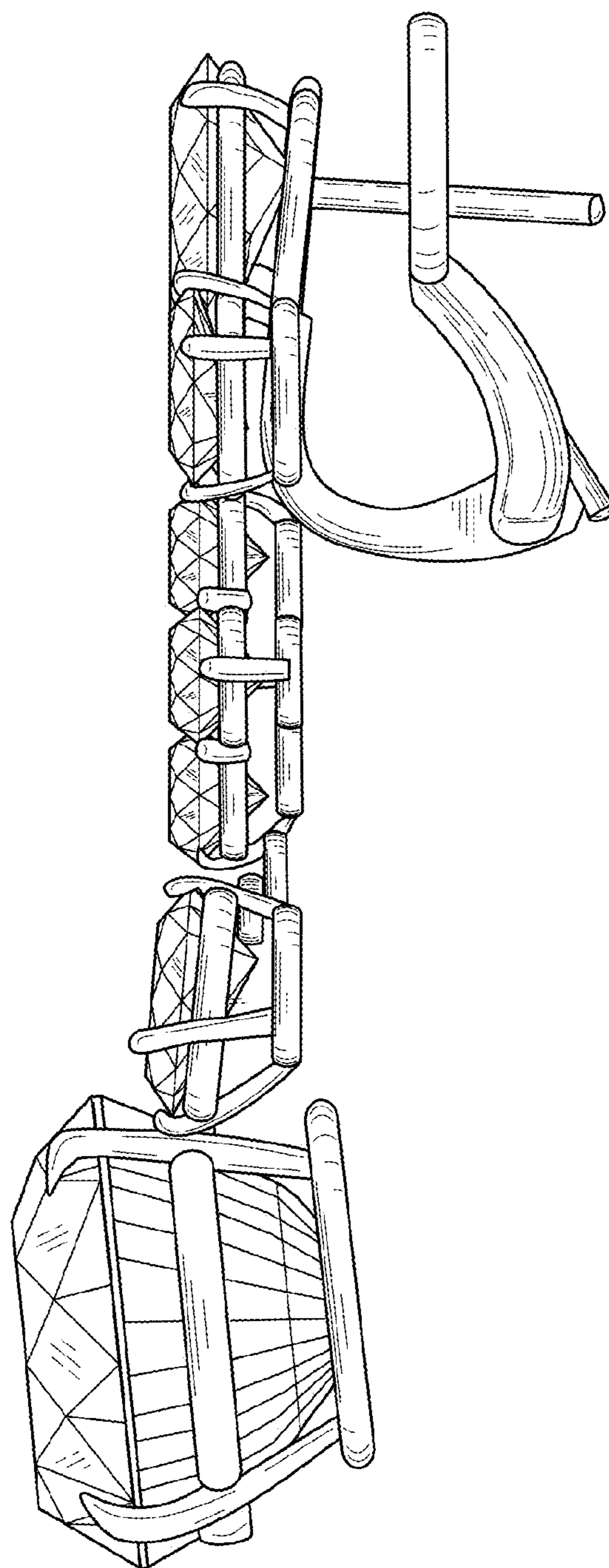


FIG. 5

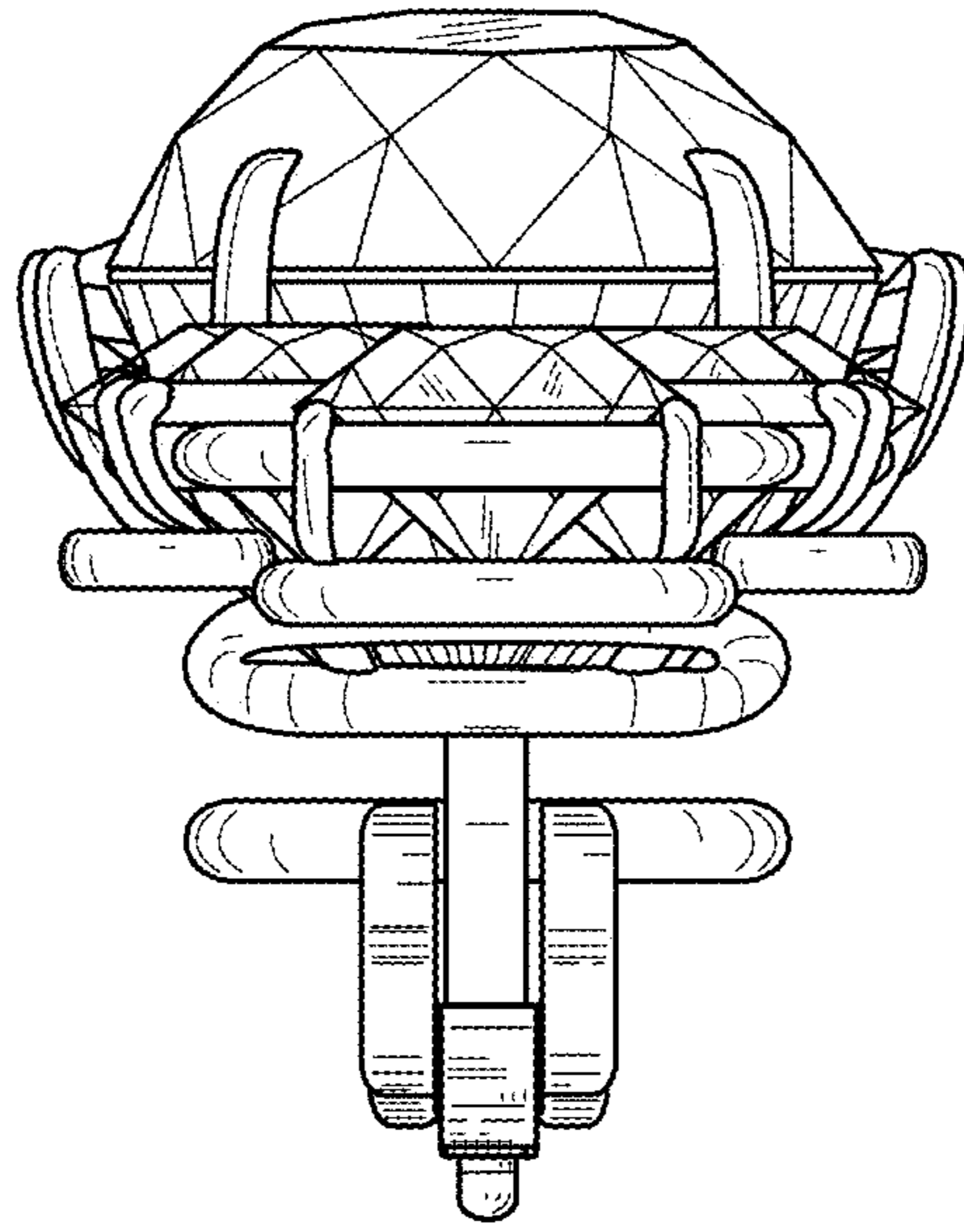


FIG. 6

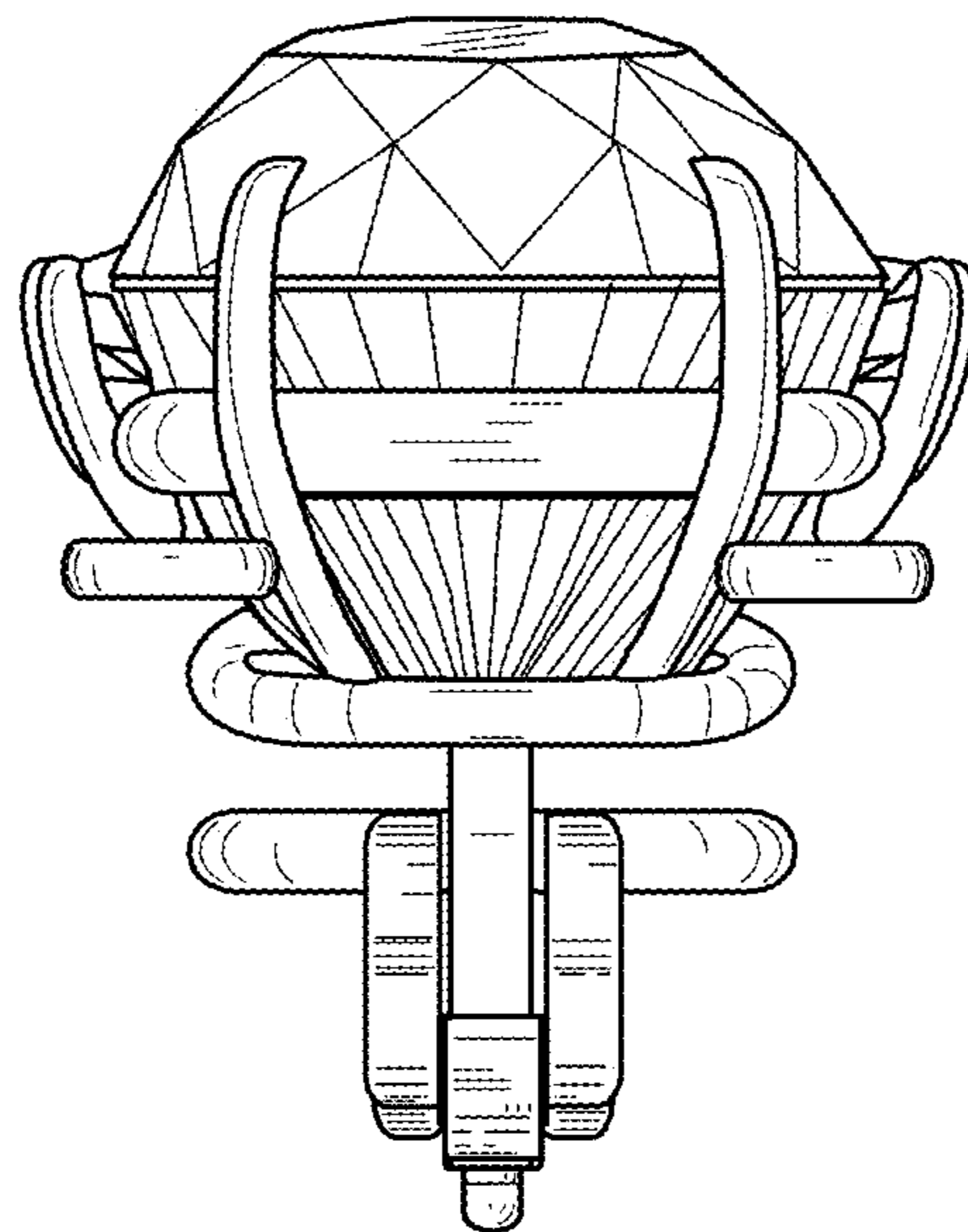


FIG. 7



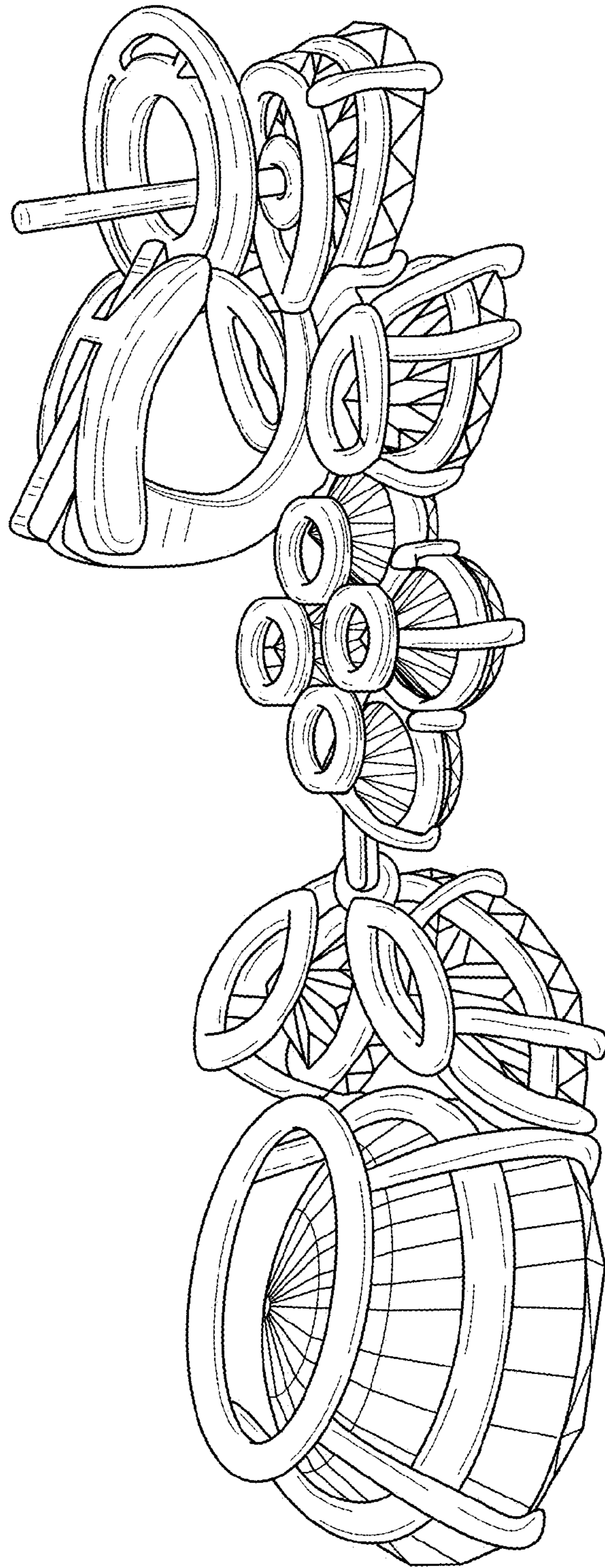


FIG. 8

UNITED STATES PATENT AND TRADEMARK OFFICE  
**CERTIFICATE OF CORRECTION**

PATENT NO. : D758,911 S  
APPLICATION NO. : 29/510250  
DATED : June 14, 2016  
INVENTOR(S) : Chaeree Kwon

Page 1 of 1

It is certified that error appears in the above-identified patent and that said Letters Patent is hereby corrected as shown below:

On the Title Page

Item (73) The Assignee "HARY WINSTON SA" should be - HARRY WINSTON SA -.

Signed and Sealed this  
Twenty-first Day of February, 2017



Michelle K. Lee  
*Director of the United States Patent and Trademark Office*