



US00D758907S

(12) **United States Design Patent**
Kaiser

(10) **Patent No.:** **US D758,907 S**
(45) **Date of Patent:** **** Jun. 14, 2016**

(54) **BOTTLE OPENER BRACELET**
(71) Applicant: **Matthew Kaiser**, Highland, MD (US)
(72) Inventor: **Matthew Kaiser**, Highland, MD (US)
(**) Term: **14 Years**
(21) Appl. No.: **29/498,772**
(22) Filed: **Aug. 7, 2014**
(51) **LOC (10) Cl.** **11-01**
(52) **U.S. Cl.**
USPC **D11/2; D8/34**
(58) **Field of Classification Search**
USPC D8/33-43; D10/30-39; D11/2-8,
D11/26-39
CPC B67B 7/16; B67B 7/44; A44C 5/00;
A44C 5/0007; A44C 5/0084; A44C 5/12;
G04B 37/12; G04B 37/0008
See application file for complete search history.

D661,559 S * 6/2012 O'Connell D8/18
D687,284 S * 8/2013 Liu D8/71
D687,736 S * 8/2013 Wycoff D11/3
8,506,158 B2 * 8/2013 Keung A44C 5/0084
224/164
D696,088 S * 12/2013 Shrock D8/40
D698,689 S * 2/2014 Boyd D11/4
D701,128 S * 3/2014 Lau G04G 21/08
D10/32
D711,762 S * 8/2014 Murphy D11/4
D718,170 S * 11/2014 Aumiller D10/32
D729,674 S * 5/2015 Behar D10/103
D730,229 S * 5/2015 Rosenblum D10/132
2003/0099162 A1 * 5/2003 Field A44C 5/0053
368/281
2007/0091730 A1 * 4/2007 Ting A44C 5/0007
368/282
2009/0175135 A1 * 7/2009 Moore A44C 5/0053
368/282
2012/0234044 A1 * 9/2012 Matysik A44C 9/0061
63/15
2014/0216209 A1 * 8/2014 Shrock B67B 7/16
81/3.25

* cited by examiner

Primary Examiner — Elizabeth Albert
(74) *Attorney, Agent, or Firm* — Adler Pollock & Sheehan
P.C.; Daniel J. Holmader, Esq.; George N. Chaclas, Esq.

(56) **References Cited**

U.S. PATENT DOCUMENTS

1,578,627 A * 3/1926 Baumgarten B67B 7/16
30/298
1,752,128 A * 3/1930 Vetter G04B 37/04
368/282
2,473,226 A * 6/1949 Sheldon G04B 37/12
132/301
D243,318 S * 2/1977 Kurihara D10/32
4,958,279 A * 9/1990 Proellochs G04B 37/1486
224/179
D455,356 S * 4/2002 Saffer D10/32
7,070,322 B1 * 7/2006 Field G04B 37/00
224/164
D566,580 S * 4/2008 Giorgio D10/32
D612,269 S * 3/2010 Leung D10/32
D640,948 S * 7/2011 Quigley 87/1
D653,564 S * 2/2012 Eida D10/32
D657,705 S * 4/2012 Guerrero, II D11/26

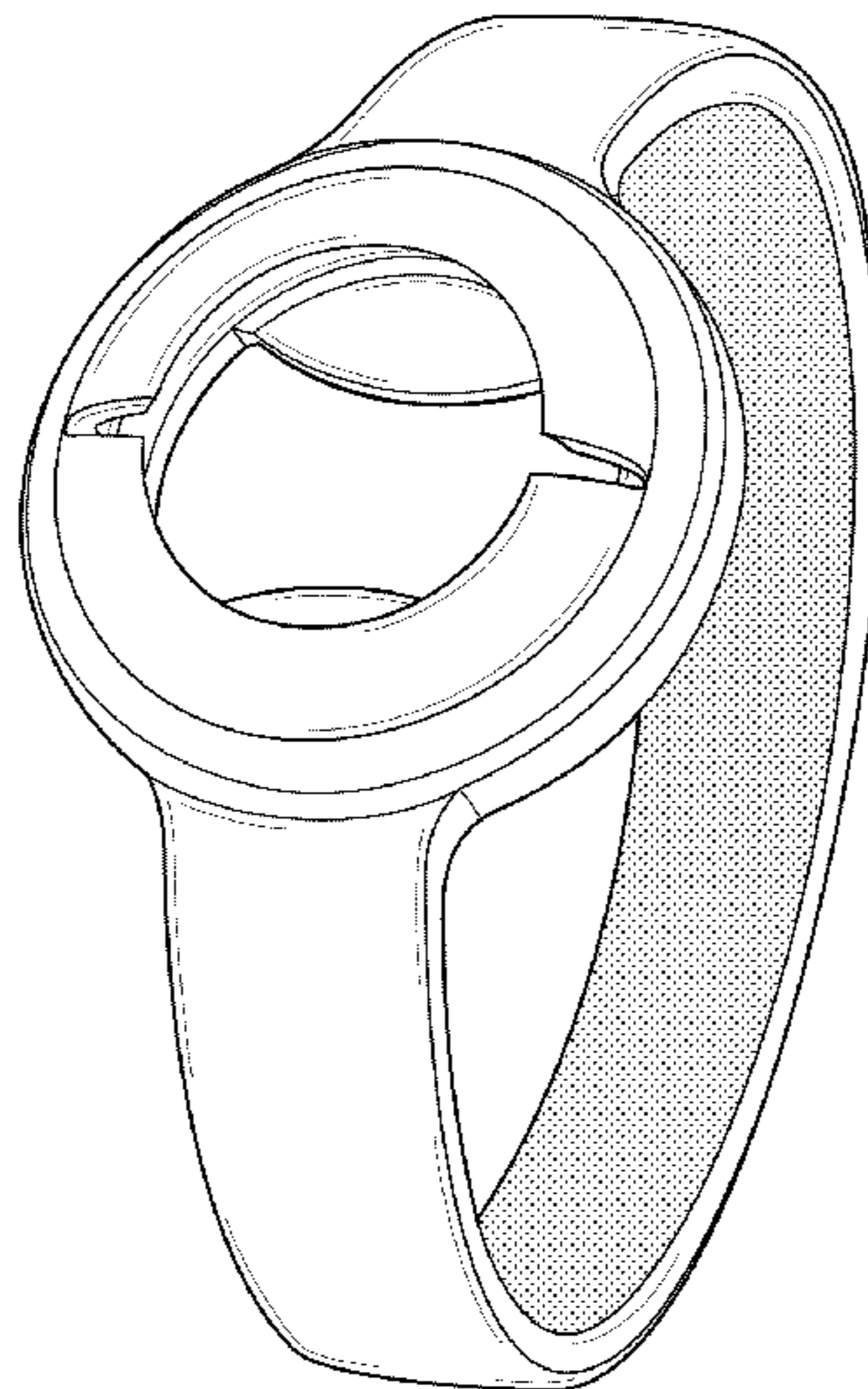
(57) **CLAIM**

The ornamental design for a bottle opener bracelet, as shown
and described.

DESCRIPTION

FIG. 1 is a front perspective view of the bottle opener bracelet
showing my new design;
FIG. 2 is a rear perspective view thereof;
FIG. 3 is front view thereof;
FIG. 4 is a side view thereof;
FIG. 5 is a top view thereof; and,
FIG. 6 is a bottom view thereof.

1 Claim, 6 Drawing Sheets



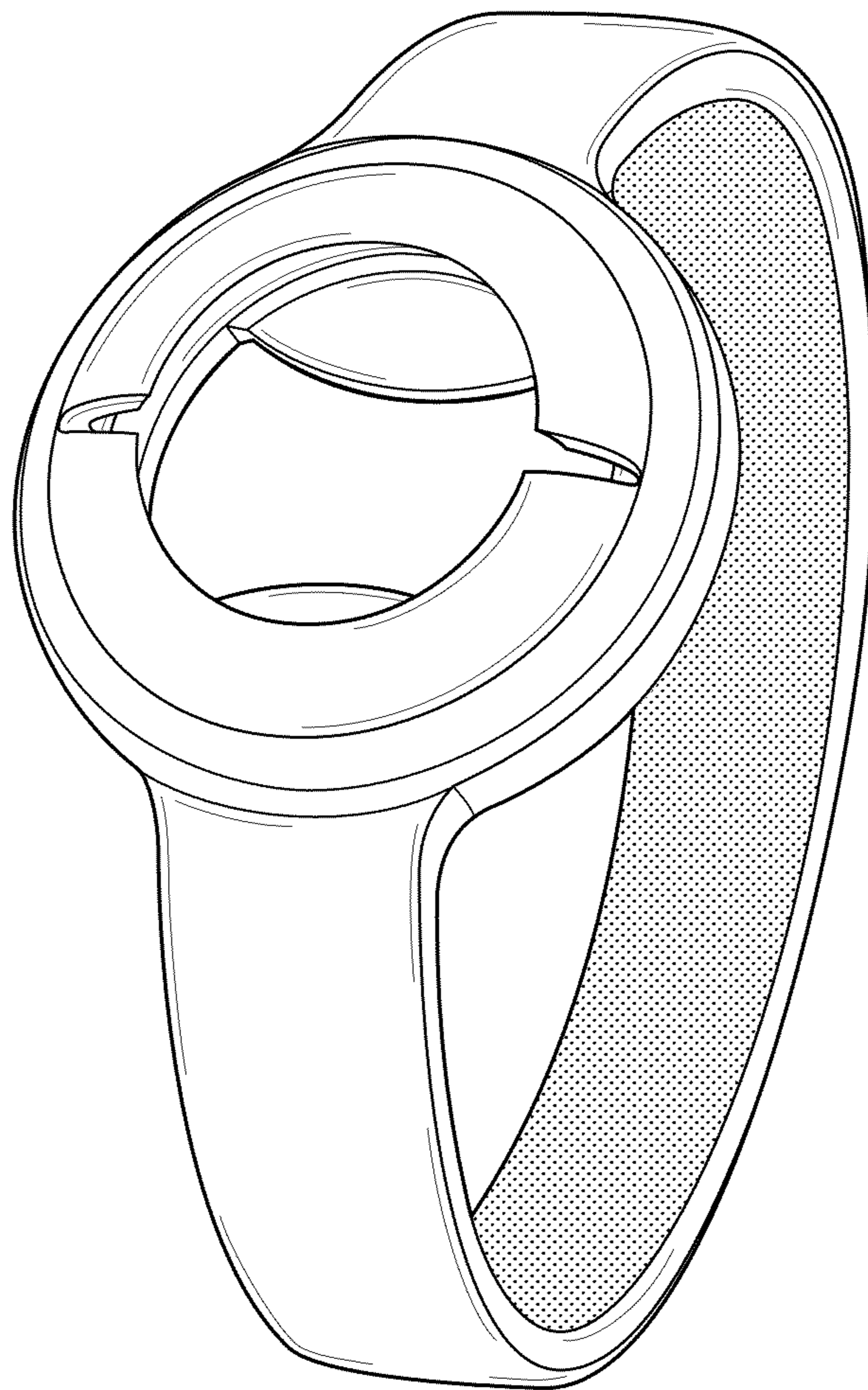


Fig. 1

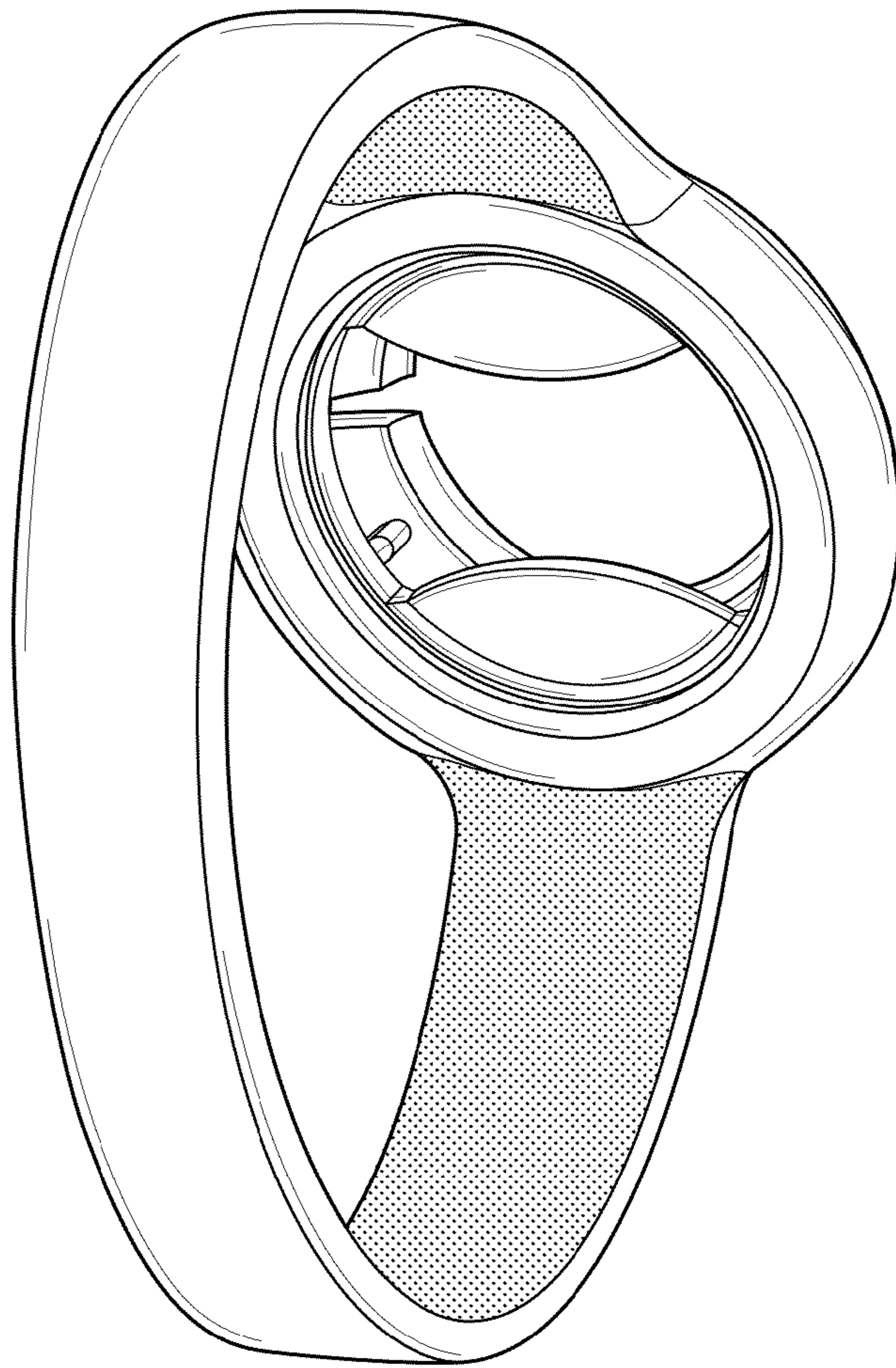


Fig. 2

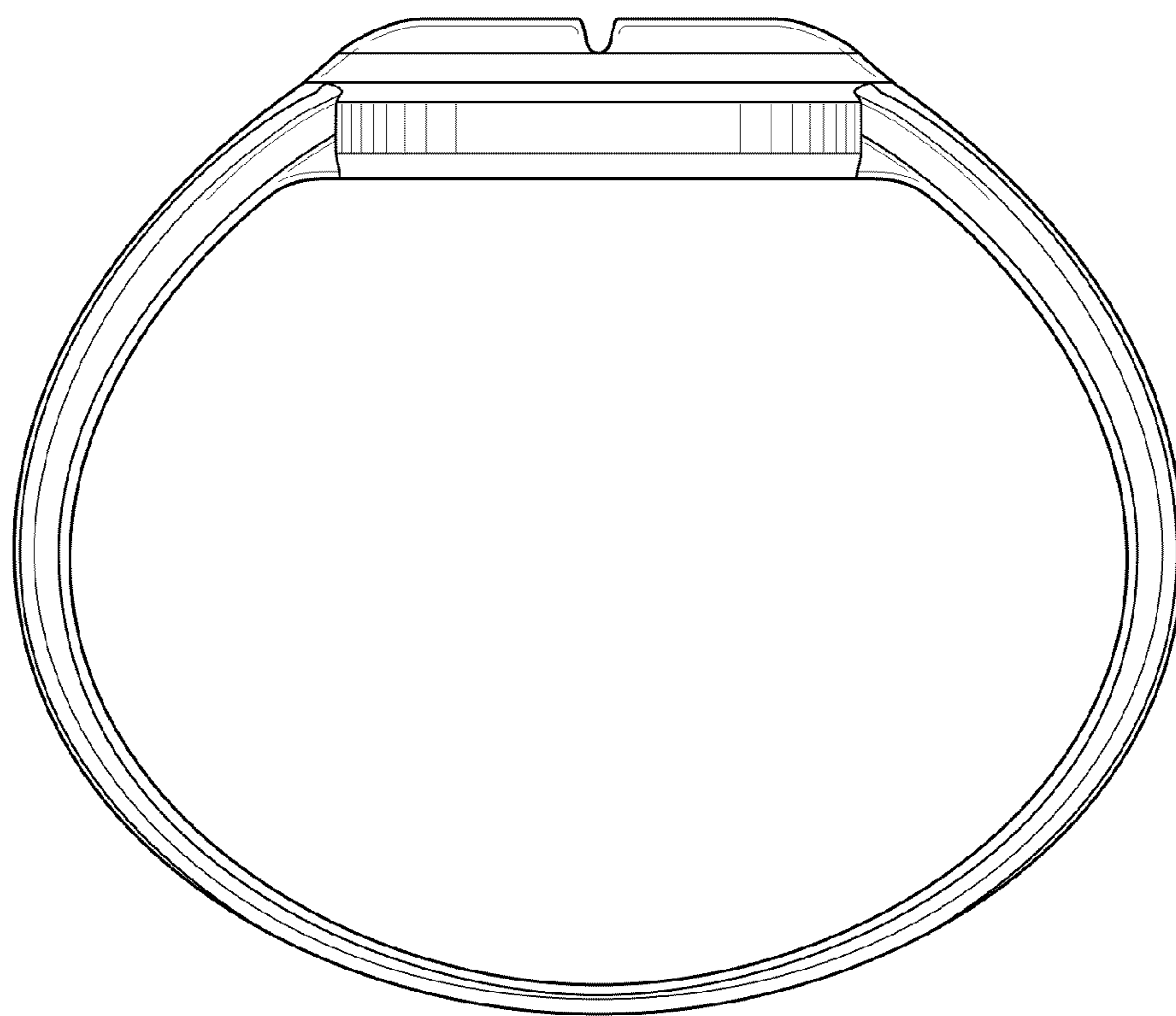


Fig. 3

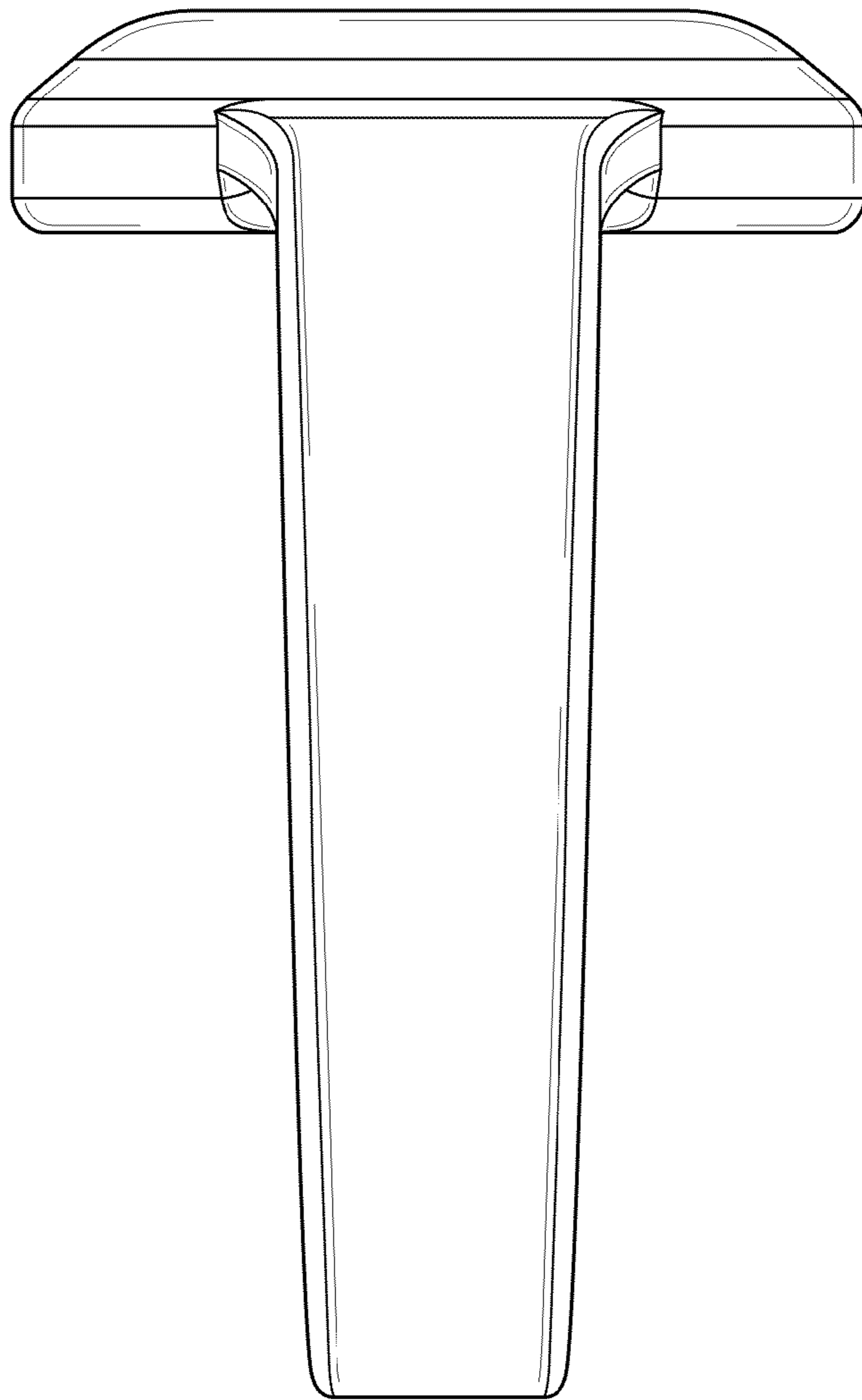


Fig. 4

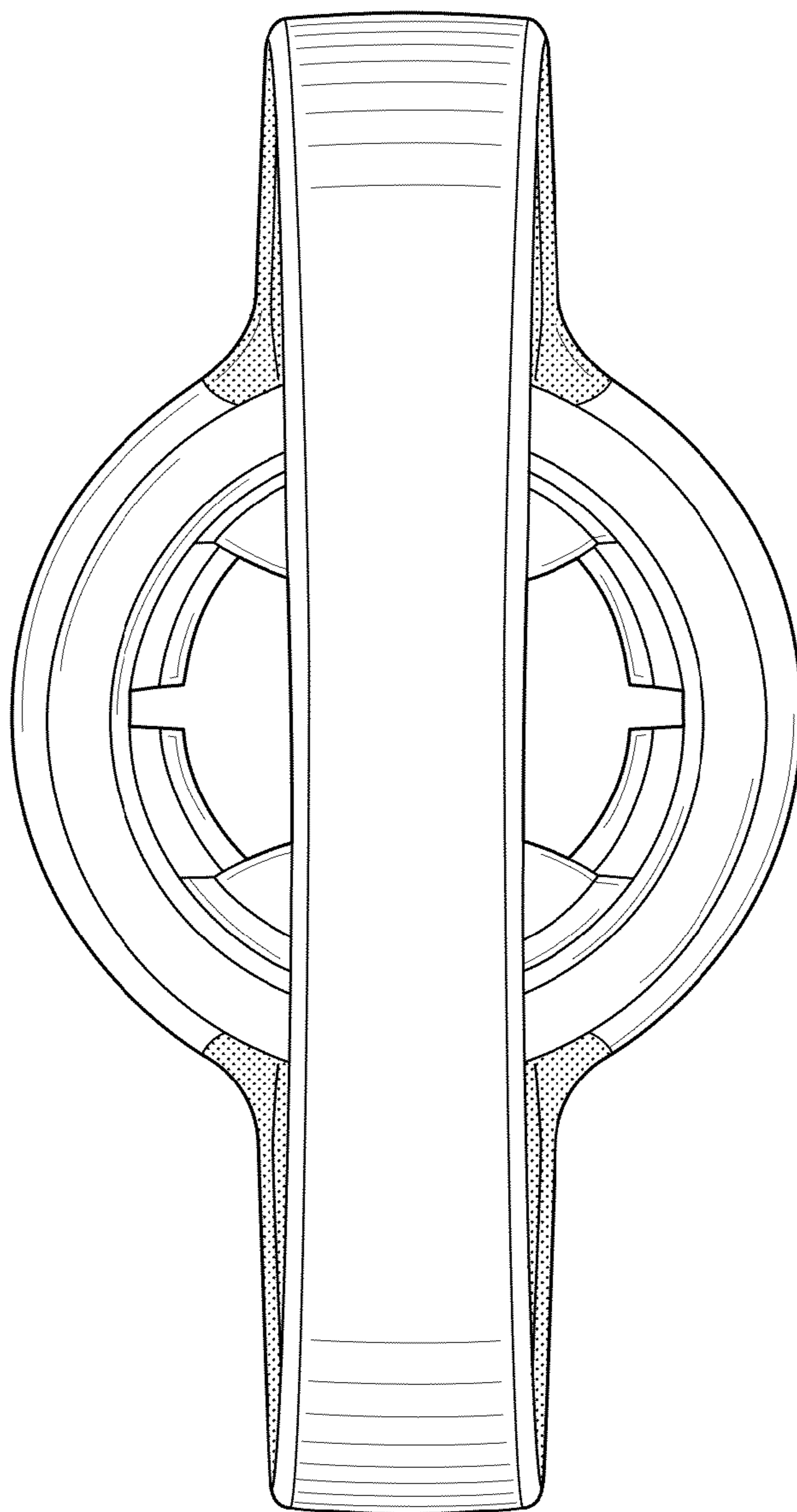


Fig. 5

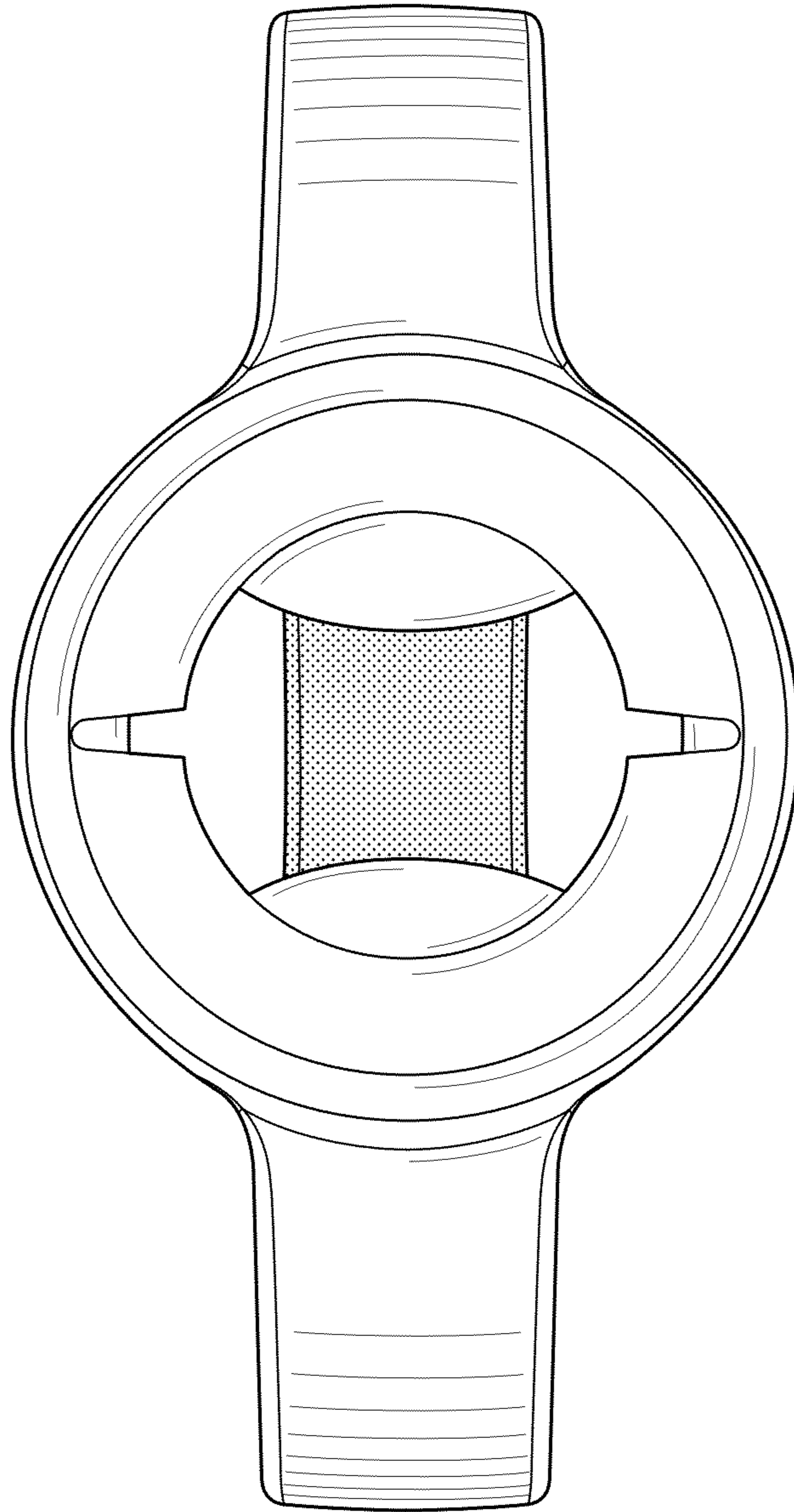


Fig. 6