



US00D758903S

(12) **United States Design Patent**
Smith

(10) **Patent No.:** **US D758,903 S**
(45) **Date of Patent:** **** Jun. 14, 2016**

(54) **MEASURING TOOL**

(71) Applicant: **Kurt Allen Smith**, Harpers Ferry, IA
(US)

(72) Inventor: **Kurt Allen Smith**, Harpers Ferry, IA
(US)

(**) Term: **14 Years**

(21) Appl. No.: **29/518,318**

(22) Filed: **Feb. 23, 2015**

(51) **LOC (10) Cl.** **10-04**

(52) **U.S. Cl.**
USPC **D10/71**

(58) **Field of Classification Search**
USPC D10/71
CPC G01B 3/02; G01B 3/04; B43L 13/145;
B43L 7/00; B43L 7/027
See application file for complete search history.

(56) **References Cited**

U.S. PATENT DOCUMENTS

D142,608	S	*	10/1945	Ziegfield	33/1 A
3,406,456	A		10/1968	Schleich		
4,217,694	A		8/1980	Bowling		
4,355,472	A		10/1982	Wedge		
4,644,663	A		2/1987	Needs		
D316,051	S	*	4/1991	Strande	D10/71
5,148,607	A		9/1992	Lasiter		
5,499,457	A		3/1996	Weiler et al.		
D374,404	S	*	10/1996	Kidd	D10/64

D384,900	S	*	10/1997	Taylor	D10/64
D384,901	S	*	10/1997	Taylor	D10/64
6,513,257	B2	*	2/2003	Nejad-Sattari	B43L 7/00 33/1 BB
6,785,979	B2	*	9/2004	Wachtler	G01B 5/02 33/562
7,228,638	B2		6/2007	Goodwin		
D599,228	S	*	9/2009	Huang	D10/71
8,166,663	B2	*	5/2012	Elias	B43L 7/027 33/429
D692,785	S	*	11/2013	Pirayesh	D10/65
2011/0192046	A1		8/2011	Kinziger		

* cited by examiner

Primary Examiner — Antoine D Davis
(74) *Attorney, Agent, or Firm* — Dale J. Ream

(57) **CLAIM**

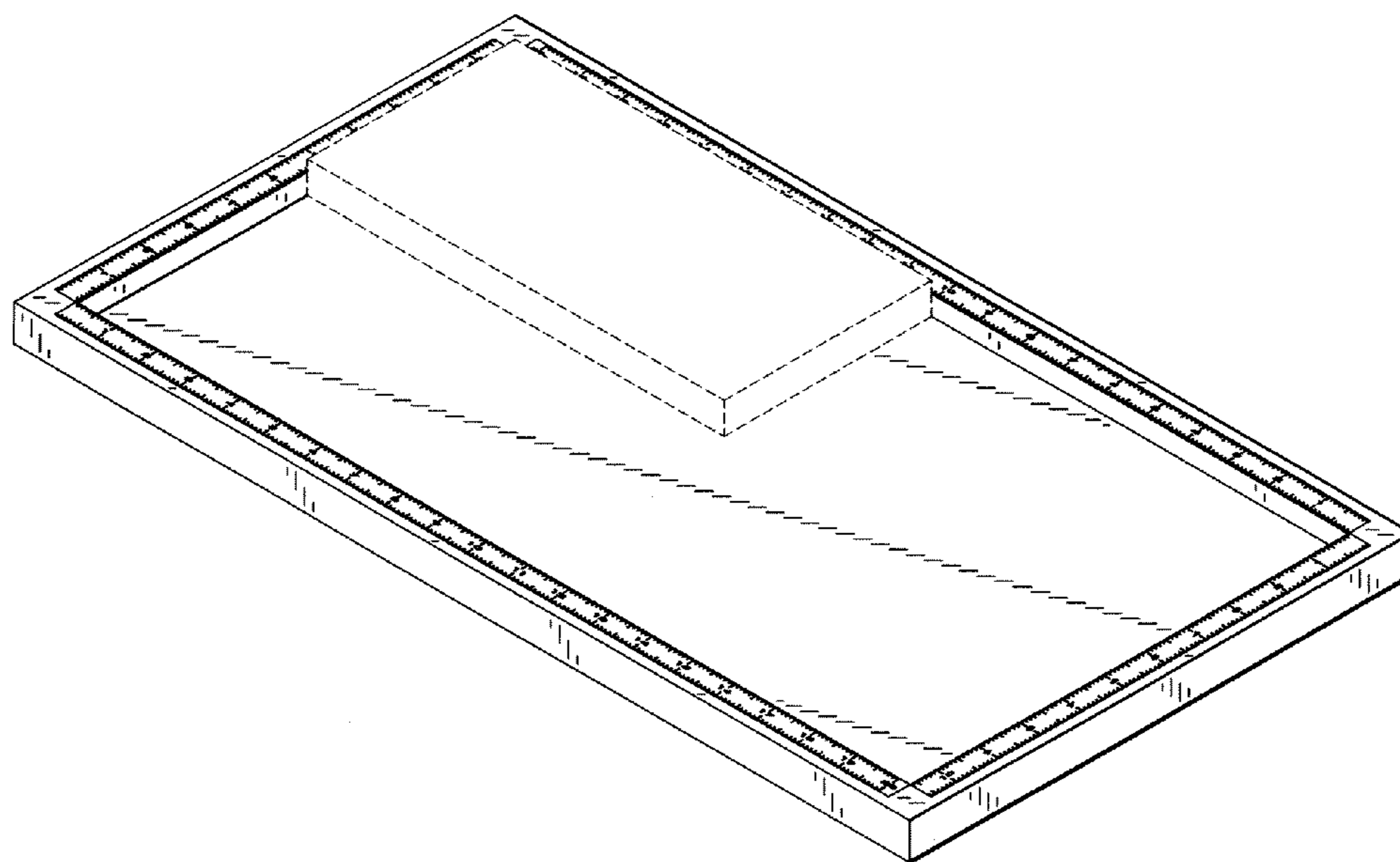
The ornamental design for a measuring tool, as shown and described.

DESCRIPTION

FIG. 1 is a perspective view of a measuring tool showing my new design;
FIG. 2 is a front view thereof;
FIG. 3 is a back view thereof;
FIG. 4 is a right side view thereof;
FIG. 5 is a left side view thereof;
FIG. 6 is a top view thereof; and,
FIG. 7 is a bottom view thereof.

In the drawings, the broken lines represent unclaimed environment subject matter and form no part of the claimed design.

1 Claim, 5 Drawing Sheets



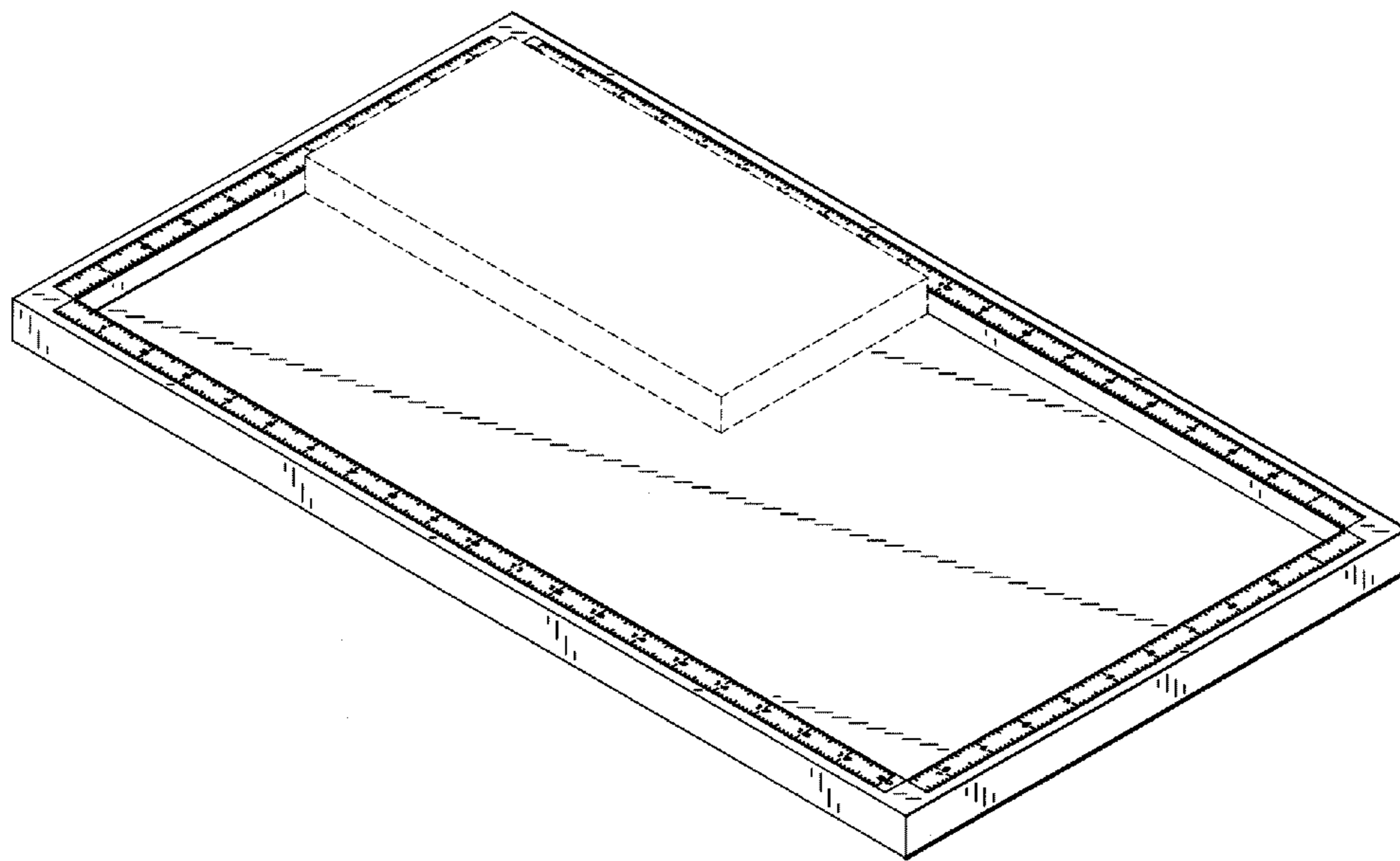


FIG. 1

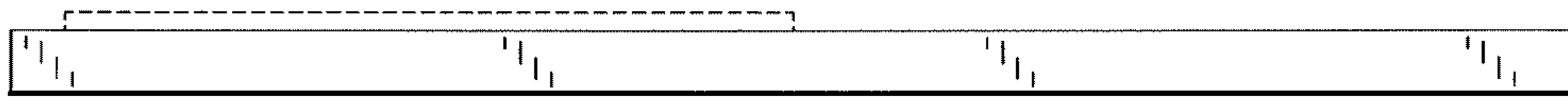


FIG. 2

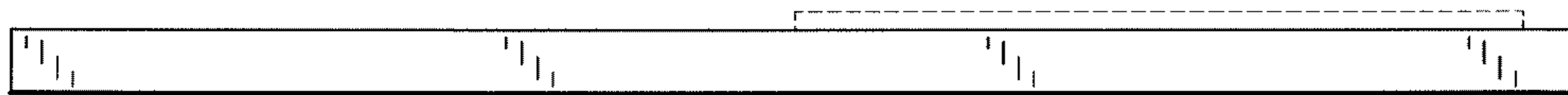


FIG. 3

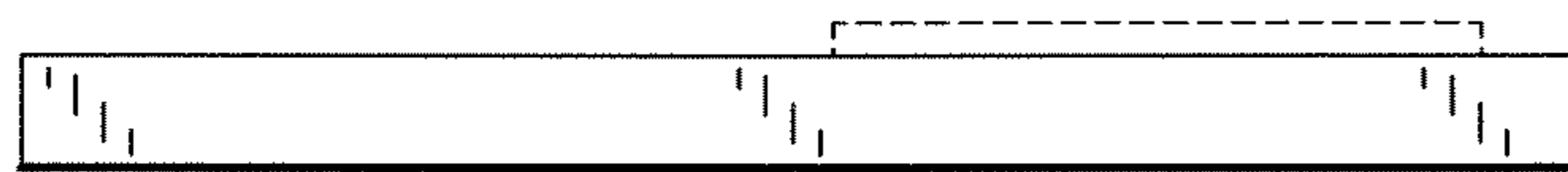


FIG. 4

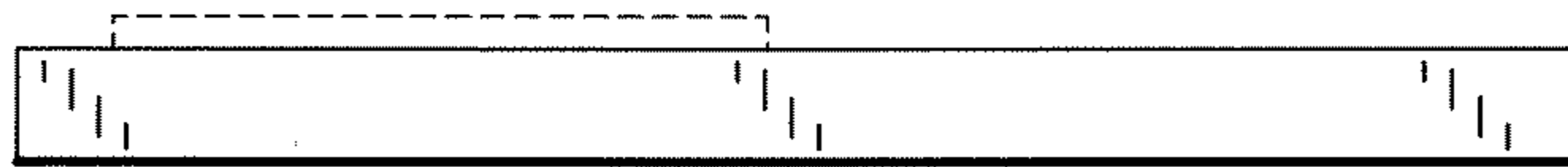


FIG. 5

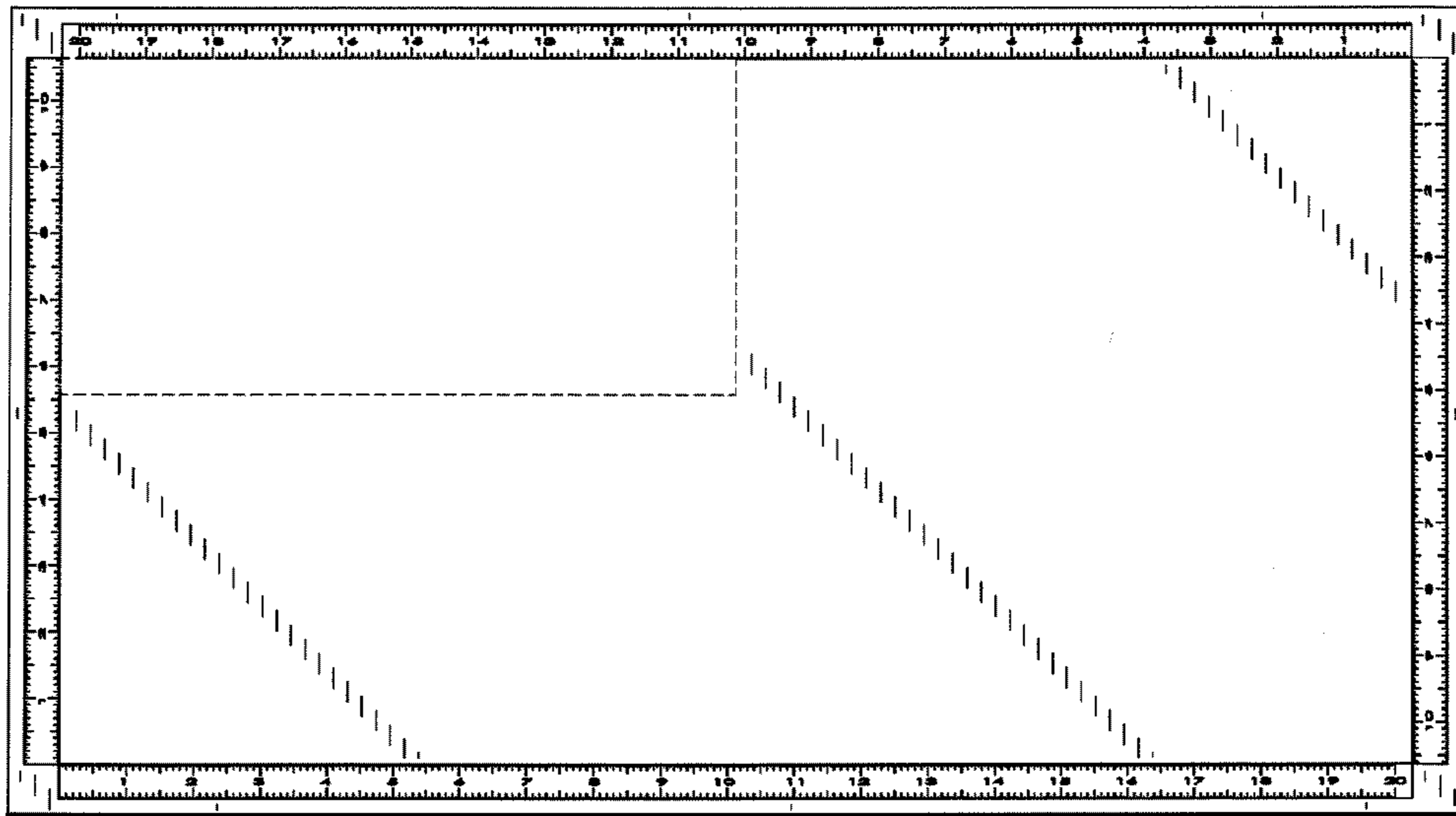


FIG. 6

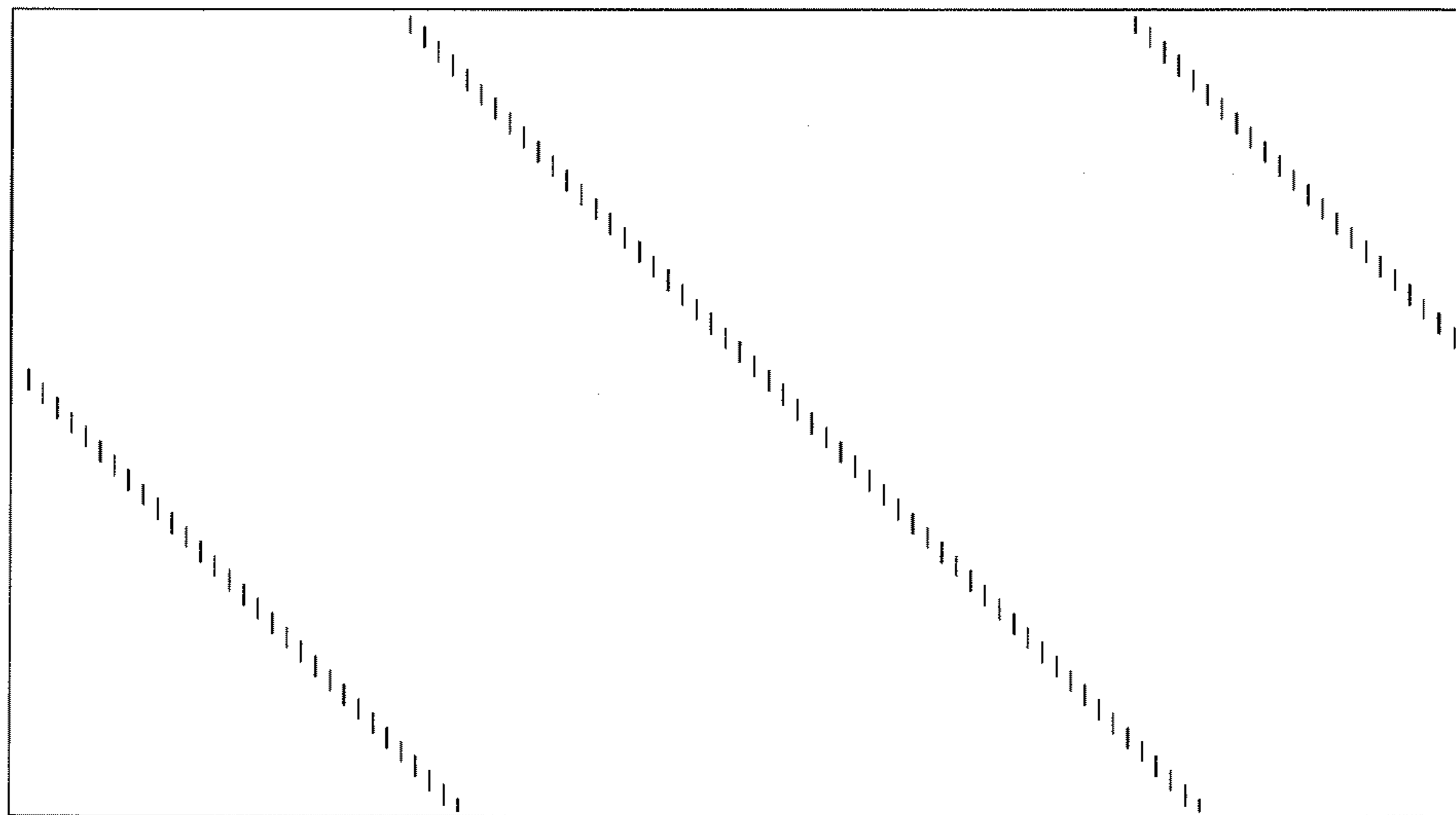


FIG. 7