



US00D758898S

(12) **United States Design Patent**
Sebban

(10) **Patent No.:** **US D758,898 S**
(45) **Date of Patent:** **** Jun. 14, 2016**

(54) **THERMOMETER AND STAND**

(71) Applicant: **VISIOMED GROUP**, Paris (FR)

(72) Inventor: **Eric Sebban**, Paris (FR)

(73) Assignee: **VISIOMED GROUP**, Paris (FR)

(**) Term: **14 Years**

(21) Appl. No.: **29/508,357**

(22) Filed: **Nov. 5, 2014**

(30) **Foreign Application Priority Data**

May 5, 2014 (EP) 002457887-0001

(51) **LOC (10) Cl.** **10-04**

(52) **U.S. Cl.**
USPC **D10/57**

(58) **Field of Classification Search**
USPC D10/57, 60
CPC G01K 1/083; G01K 1/18; G01K 13/002
See application file for complete search history.

(56) **References Cited**

U.S. PATENT DOCUMENTS

7,108,194 B1 * 9/2006 Hankins, II 236/51
D738,758 S * 9/2015 DeLoach et al. D10/57
2005/0211104 A1 * 9/2005 Harris et al. 99/342

* cited by examiner

Primary Examiner — Antoine D Davis

(74) *Attorney, Agent, or Firm* — Sofer & Haroun, LLP

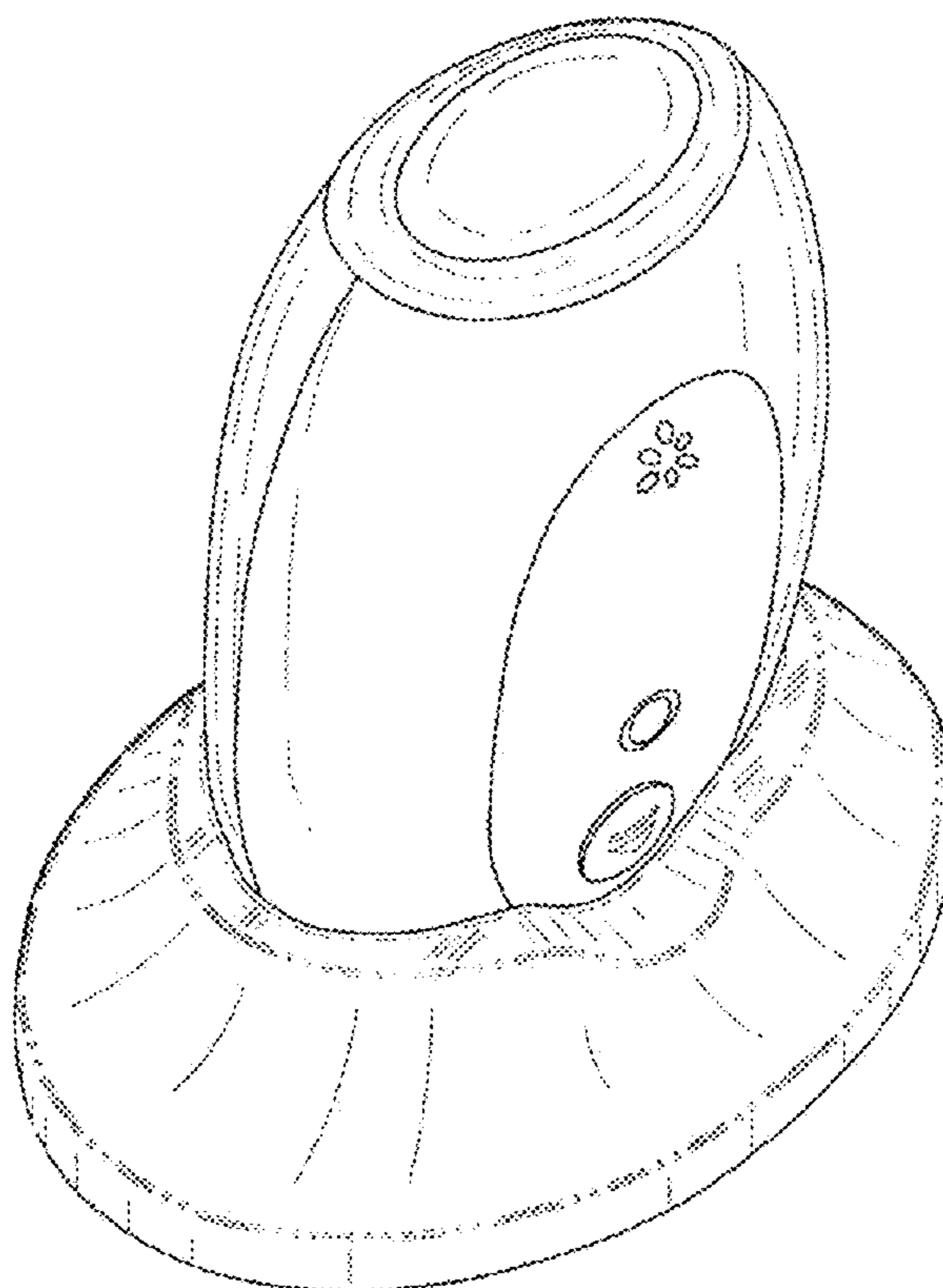
(57) **CLAIM**

I claim the ornamental design for a thermometer and stand, as shown and described.

DESCRIPTION

FIG. 1 is a front view of the thermometer in its stand;
FIG. 2 is a rear view of the thermometer in its stand;
FIG. 3 is left side elevation of the thermometer in its stand;
FIG. 4 is right side elevation of the thermometer in its stand;
FIG. 5 is top view of the top of the thermometer in its stand;
FIG. 6 is bottom view of the thermometer stand; and,
FIG. 7 is a front perspective view of the top of the thermometer in its stand.

1 Claim, 7 Drawing Sheets



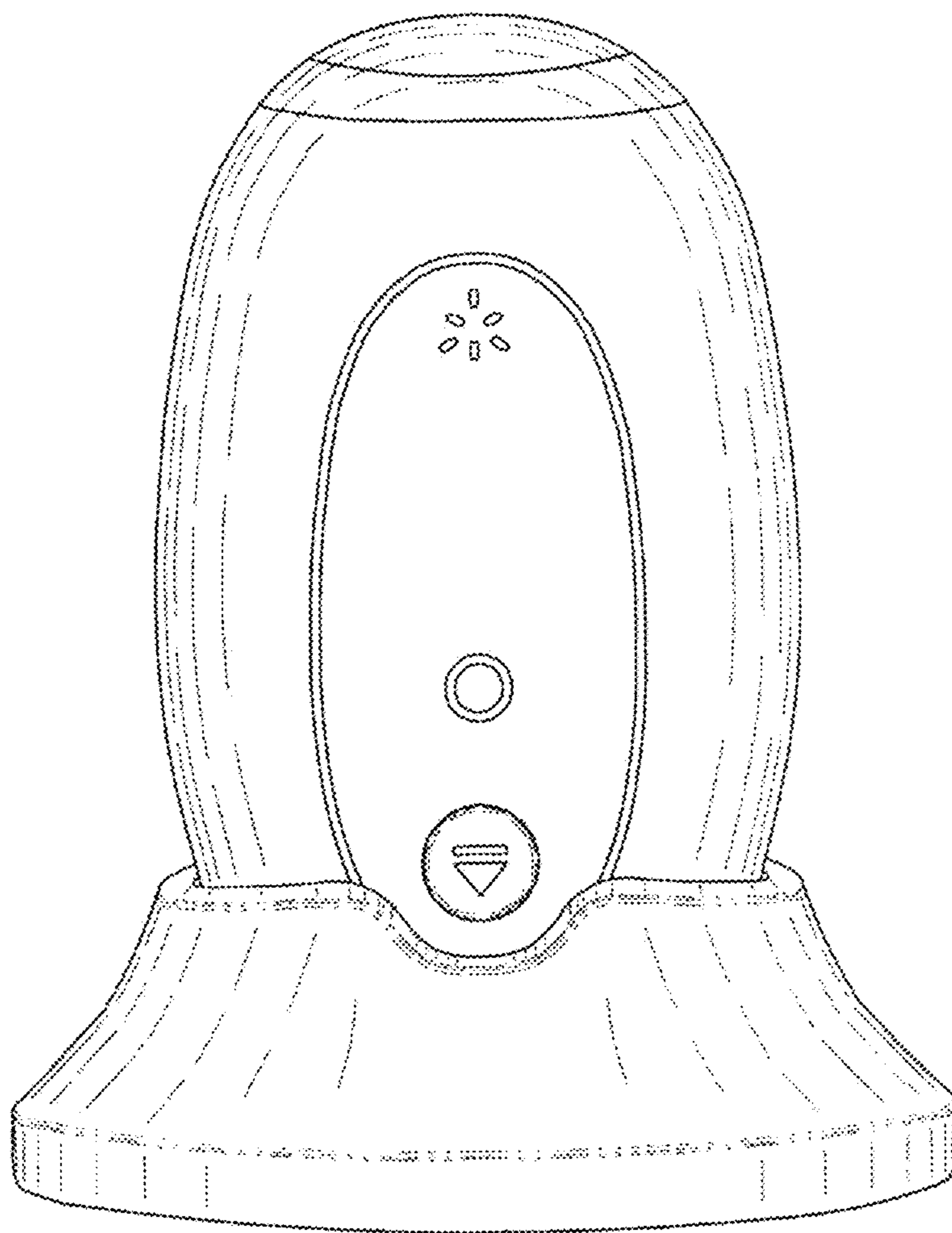


FIG. 1

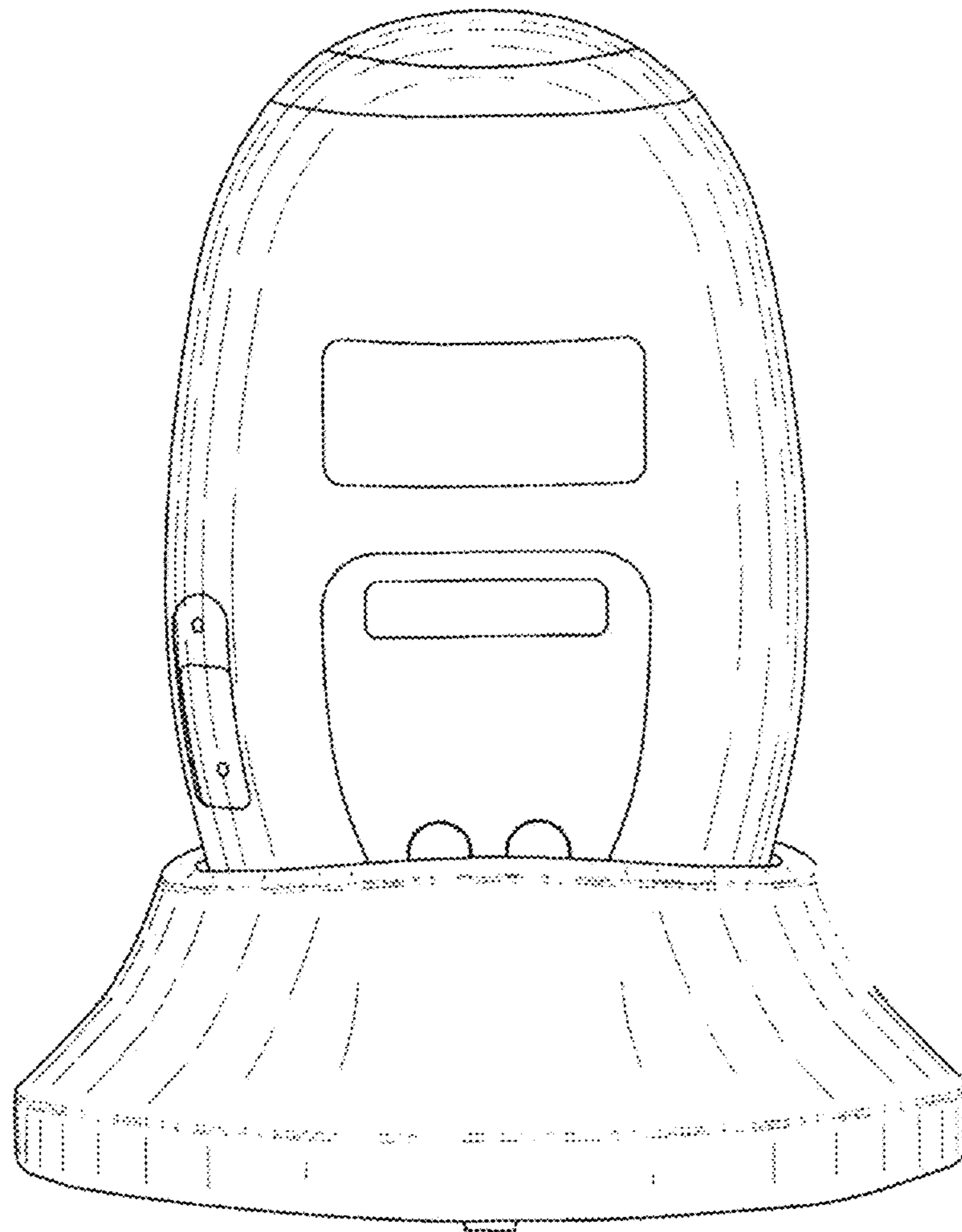


FIG. 2

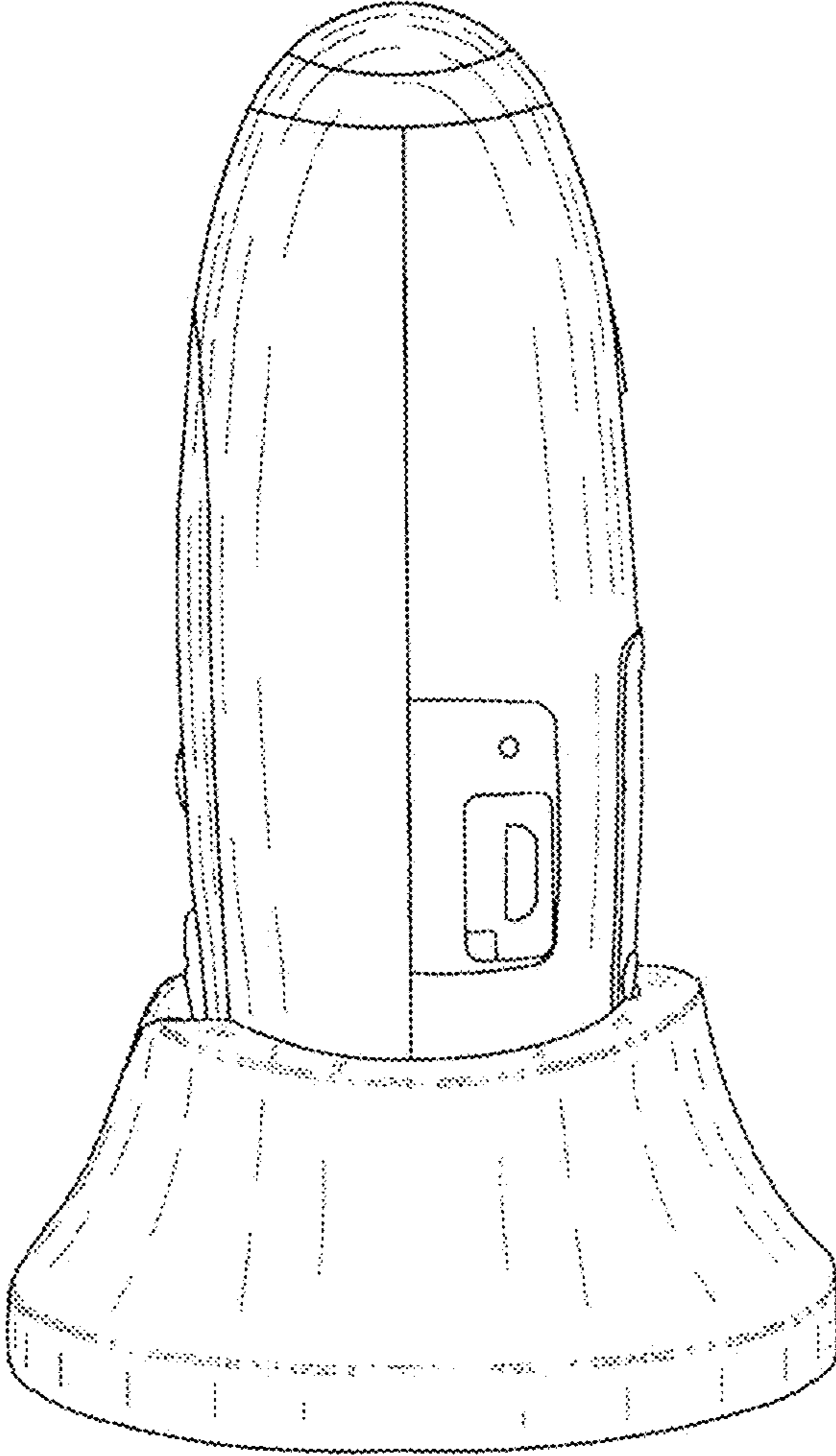


FIG. 3

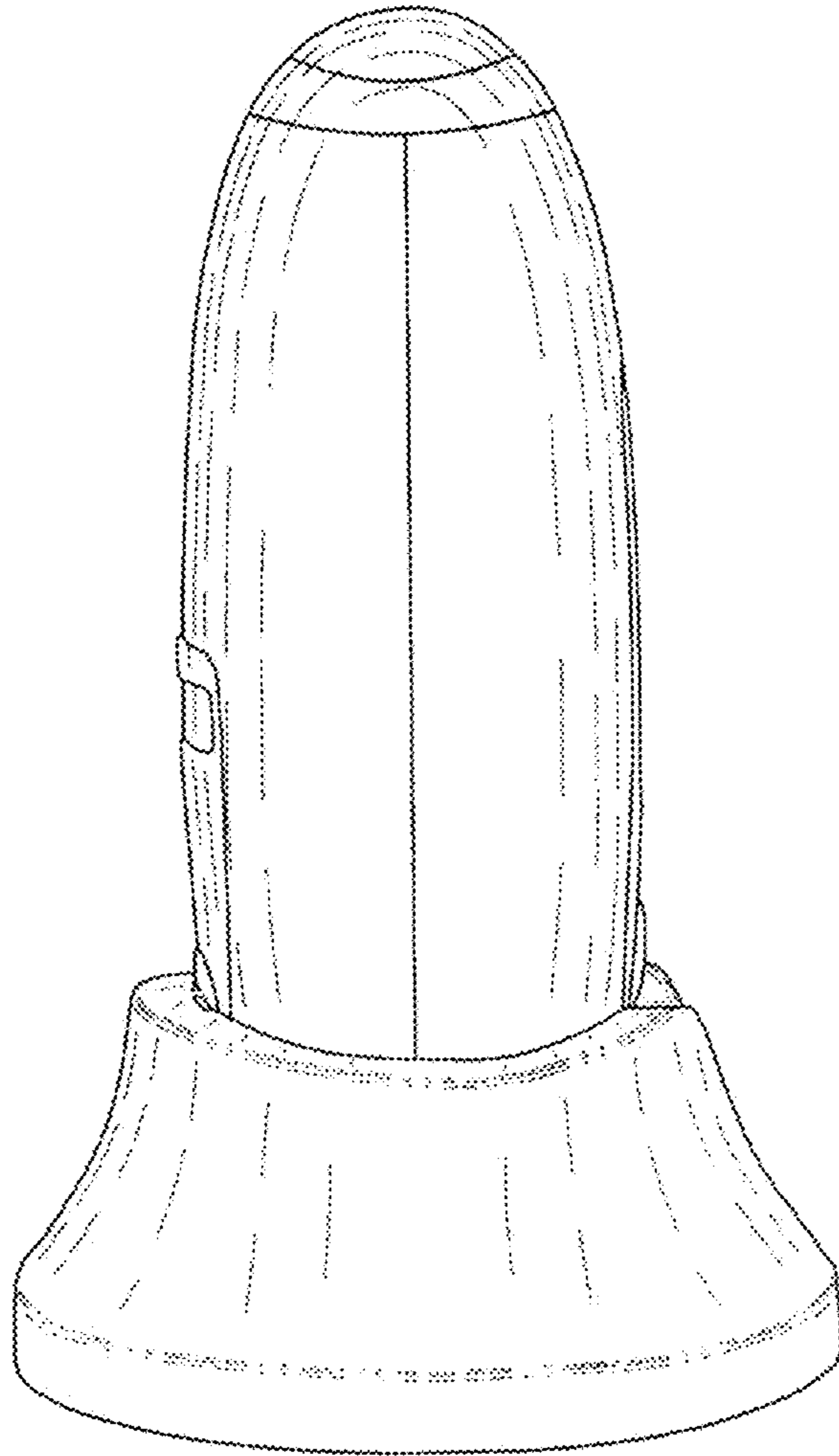


FIG. 4

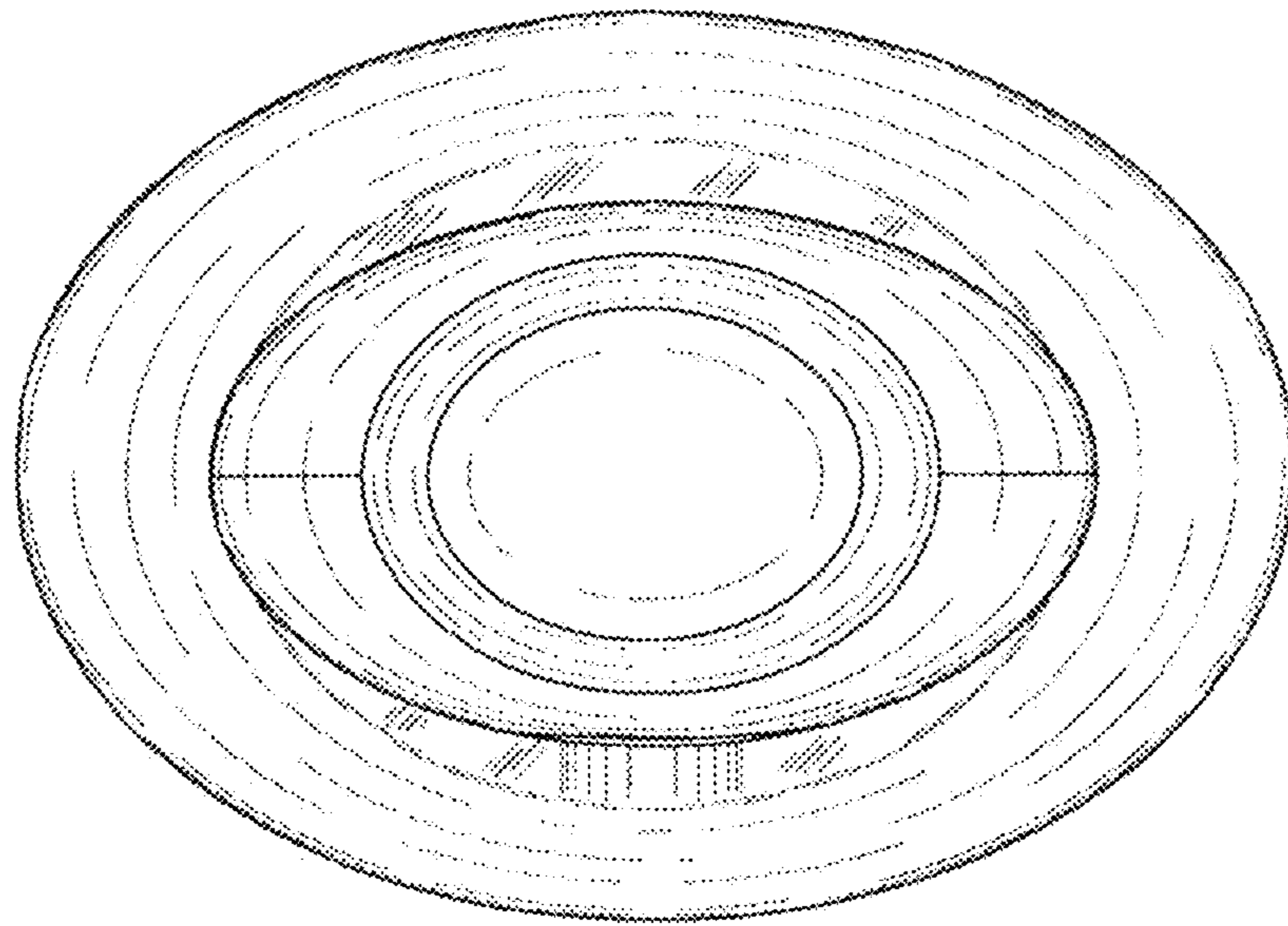


FIG. 5

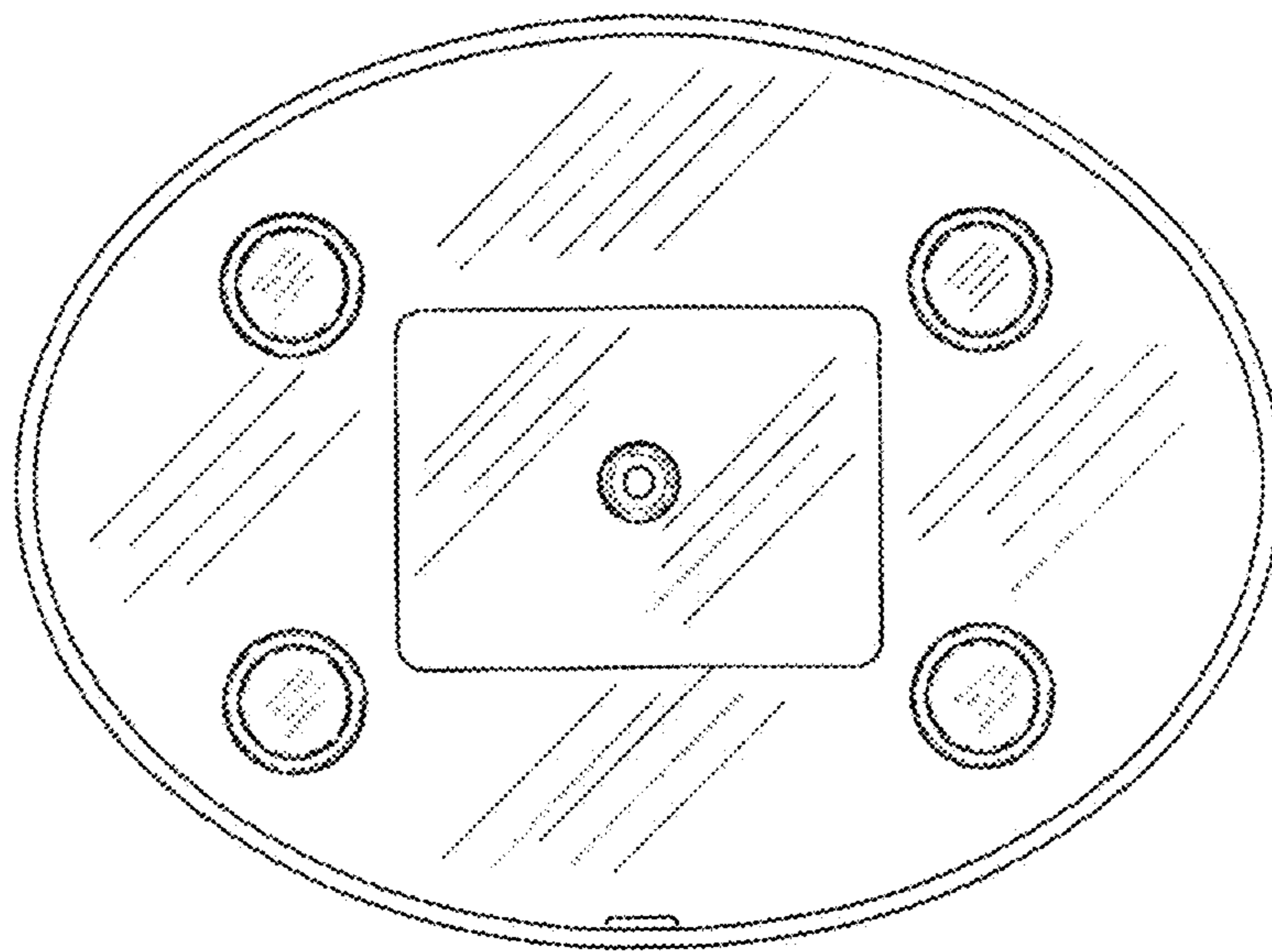


FIG. 6

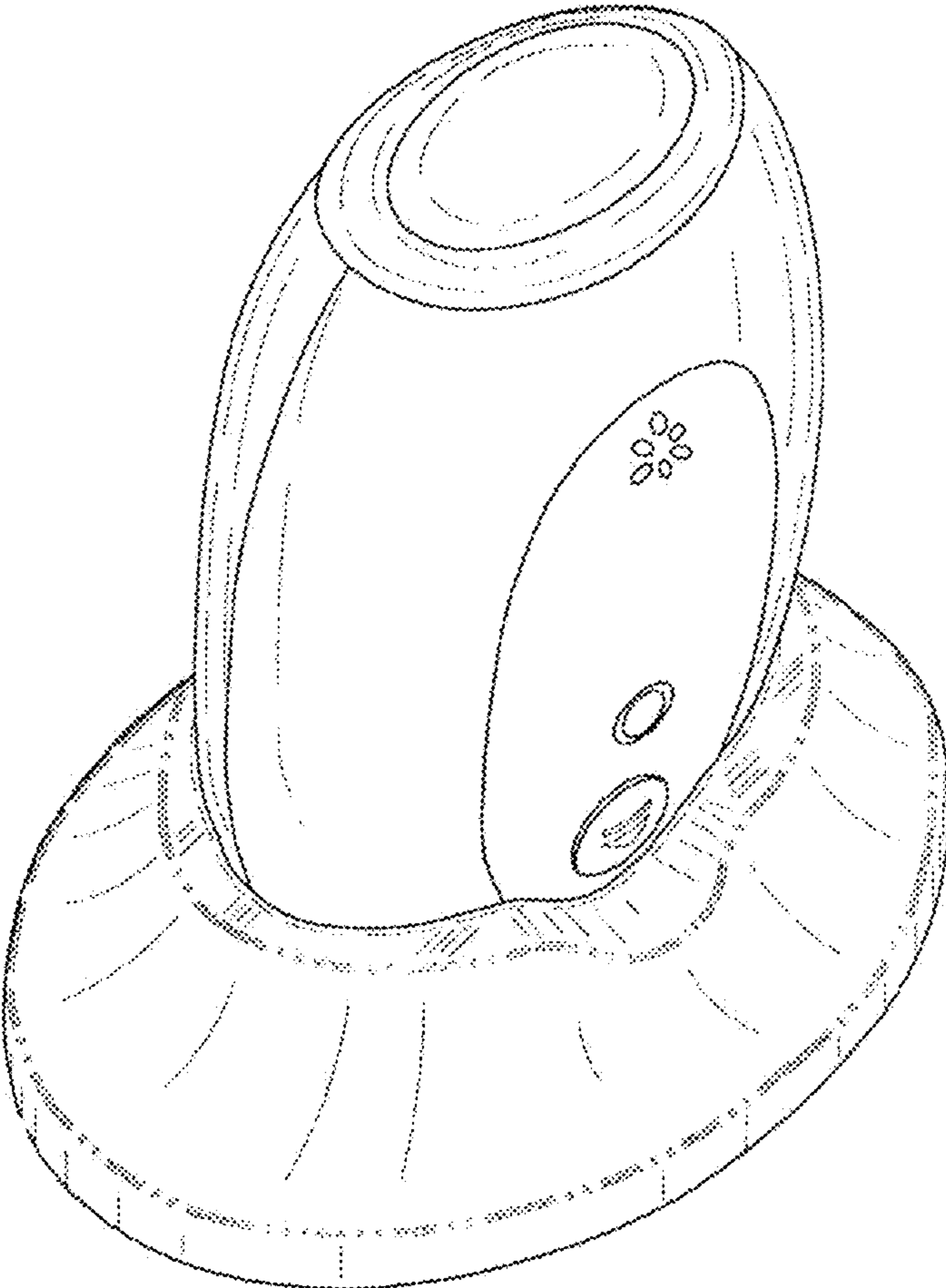


FIG. 7