



US00D758897S

(12) **United States Design Patent**
Caldwell

(10) **Patent No.:** **US D758,897 S**
(45) **Date of Patent:** **** Jun. 14, 2016**

(54) **RAIN GAUGE**

(71) Applicant: **DALEN PRODUCTS, INC.**, Knoxville, TN (US)

(72) Inventor: **E. Neal Caldwell**, Knoxville, TN (US)

(73) Assignee: **DALEN PRODUCTS, INC.**, Knoxville, TN (US)

(**) Term: **15 Years**

(21) Appl. No.: **29/544,726**

(22) Filed: **Nov. 5, 2015**

(51) **LOC (10) Cl.** **10-04**

(52) **U.S. Cl.**
USPC **D10/56**

(58) **Field of Classification Search**
USPC D10/56; D25/121, 122, 123, 124, 125, D25/128, 129
CPC G01W 1/14
See application file for complete search history.

(56) **References Cited**

U.S. PATENT DOCUMENTS

2,821,852	A	2/1958	Hastings	
3,487,684	A	1/1970	Chadwick	
4,106,336	A	8/1978	Marley	
D745,299	S *	12/2015	Chang D25/124
2002/0081408	A1	6/2002	Spaller et al.	

OTHER PUBLICATIONS

All Weather Rain Gauge, Land EKG Rain Gauge—Range Monitoring, Land Management Products <http://www.landekg.com/raingauge.htm>.
F & S Irrigation, B847 Large Rain Gauge <http://kbbestbuys.com/products/B84>.
World's Coolest Rain Gauge / Pond Yard Decorations http://www.drsofostersmith.com/product/prod_display.cfm?pcatid=2760.

* cited by examiner

Primary Examiner — Antoine D Davis

(74) *Attorney, Agent, or Firm* — Luedeka Neely Group, PC

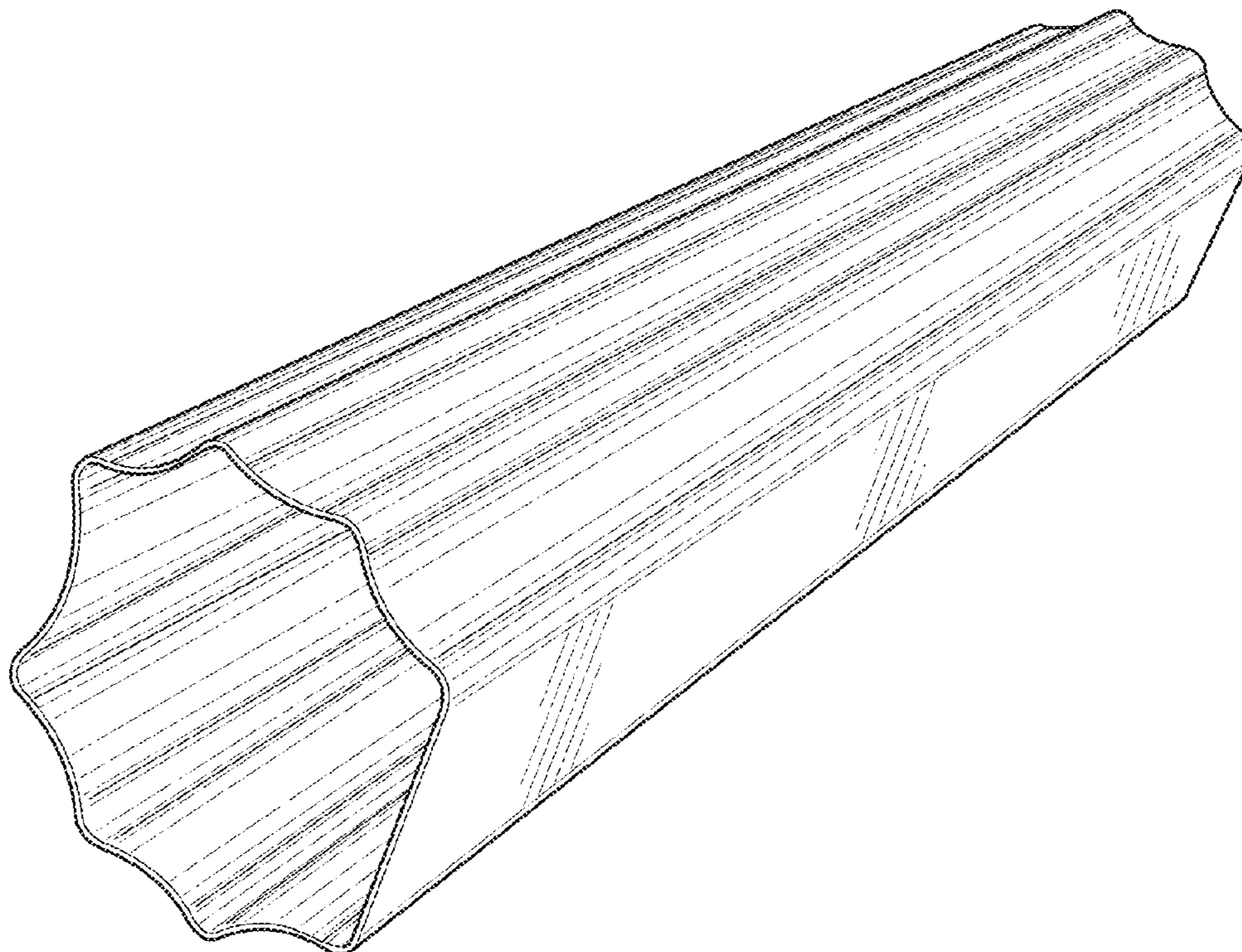
(57) **CLAIM**

The ornamental design for a rain gauge, as shown and described.

DESCRIPTION

FIGS. 1 and 2 are perspective views of a rain gauge of my new design;
FIG. 3 is a front view of the rain gauge of FIG. 1;
FIG. 4 is a rear view of the rain gauge of FIG. 1;
FIG. 5 is a left side view of the rain gauge of FIG. 1;
FIG. 6 is a right side view of the rain gauge of FIG. 1;
FIG. 7 is a top view of the rain gauge of FIG. 1; and,
FIG. 8 is a bottom view of the rain gauge of FIG. 1.

1 Claim, 5 Drawing Sheets



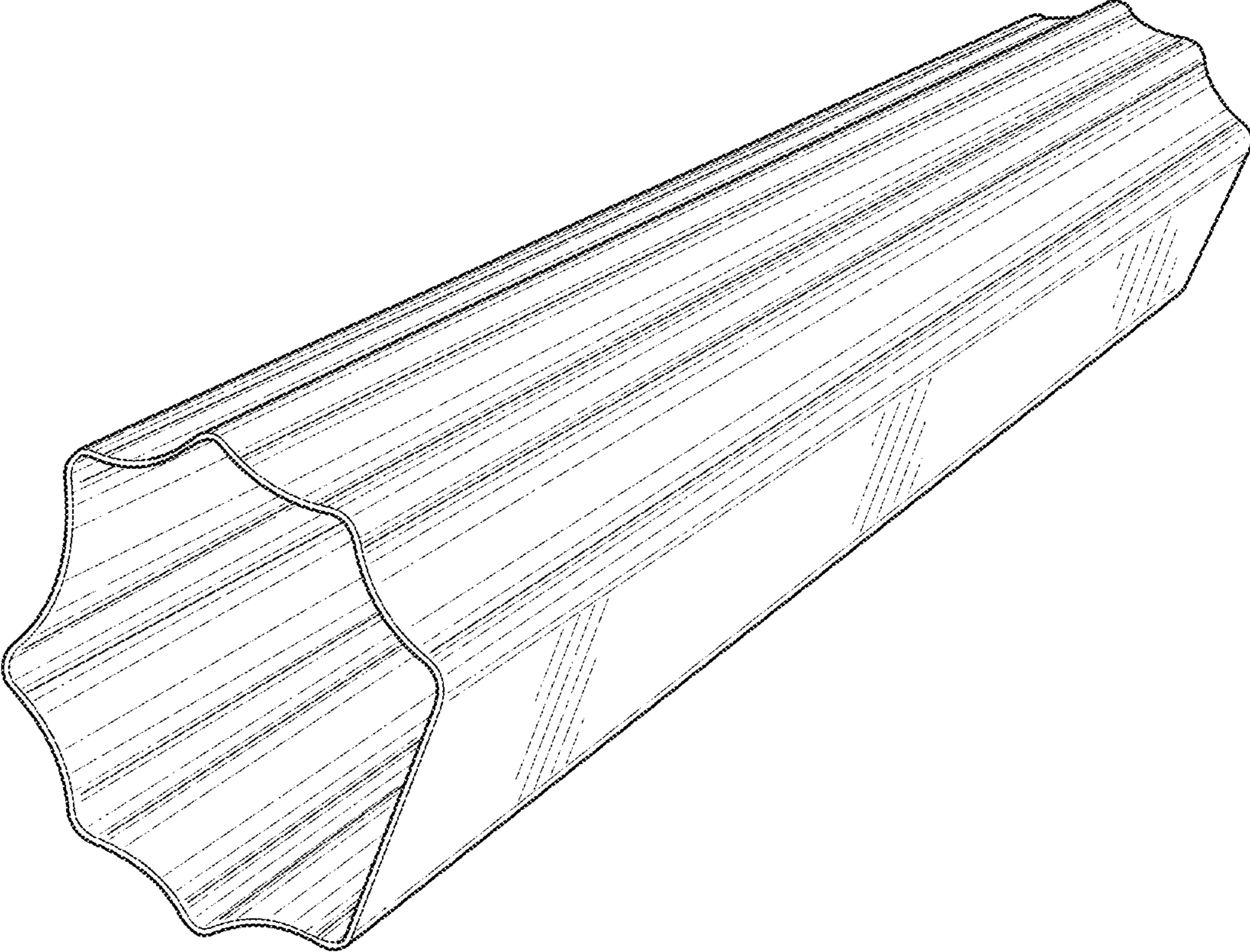


FIG. 1

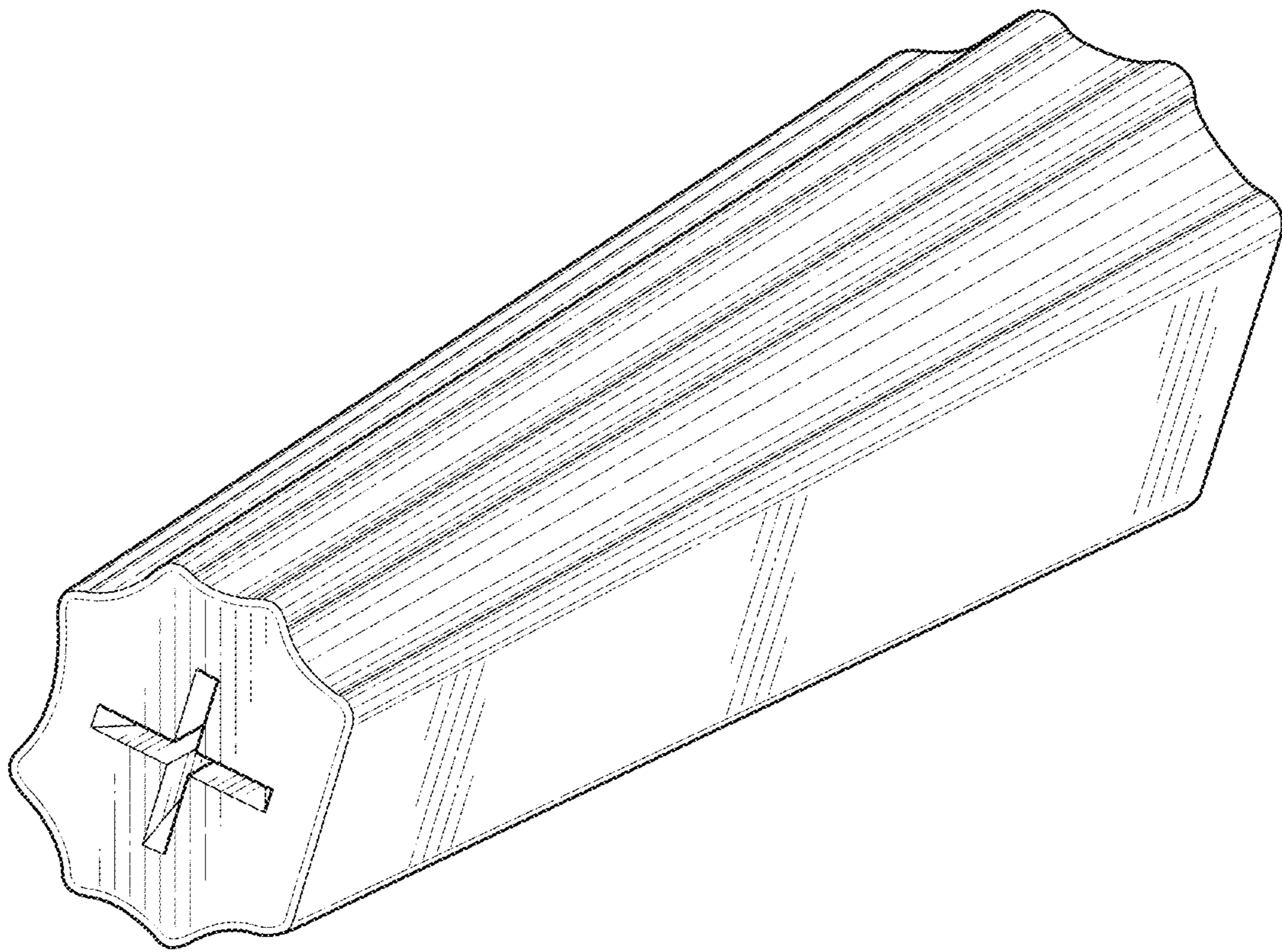


FIG. 2

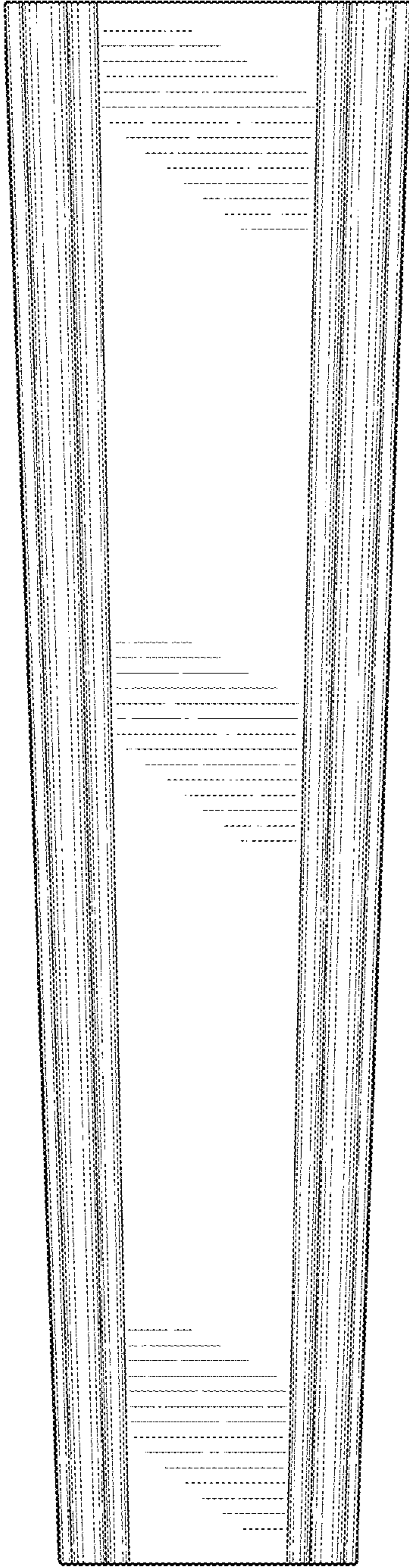


FIG. 3

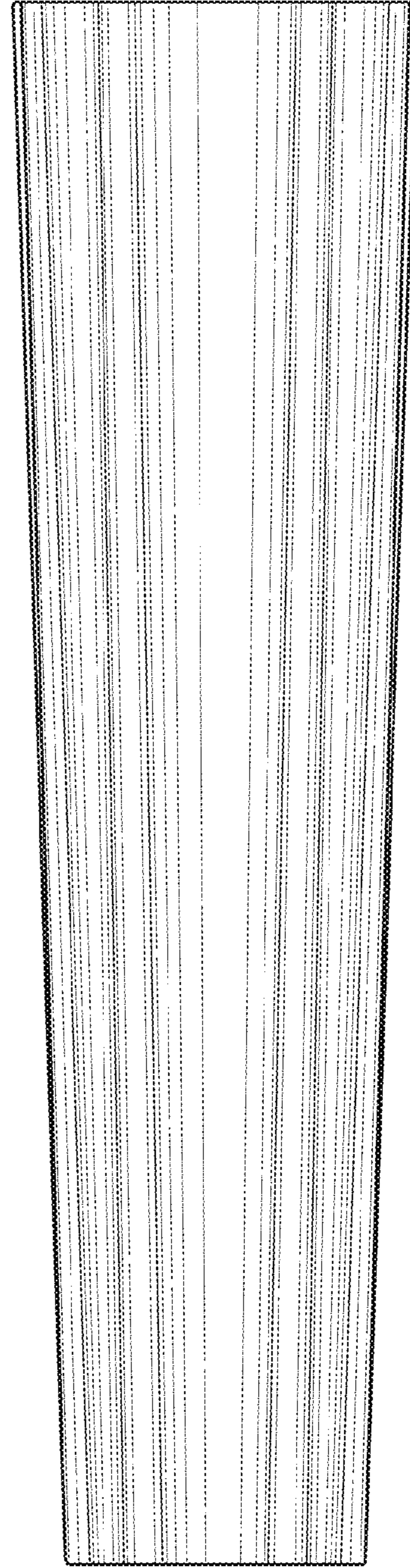


FIG. 4

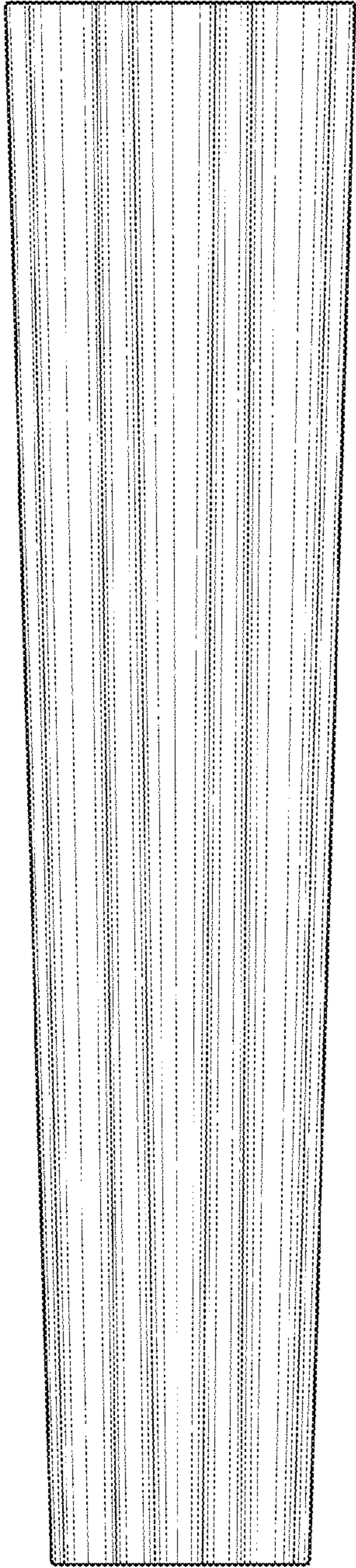


FIG. 5

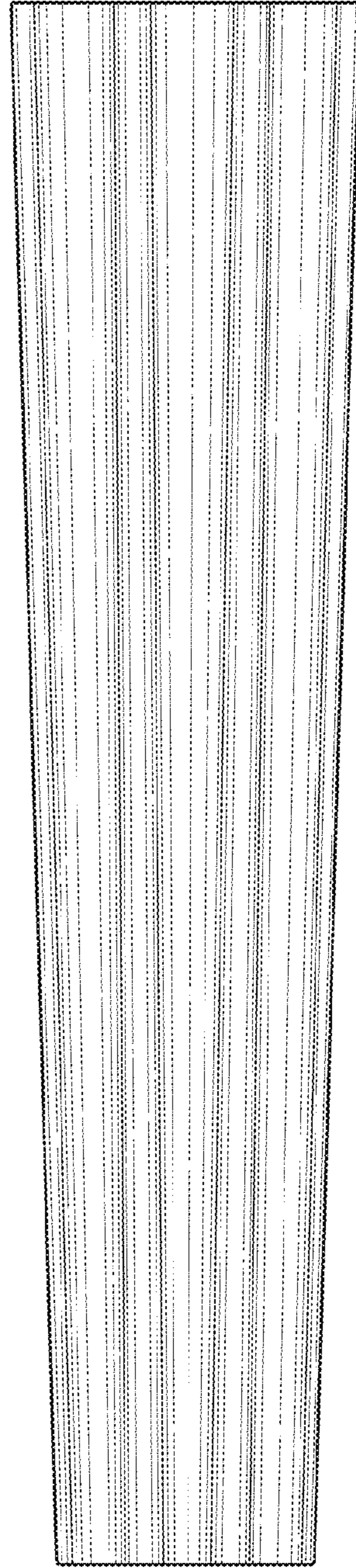


FIG. 6

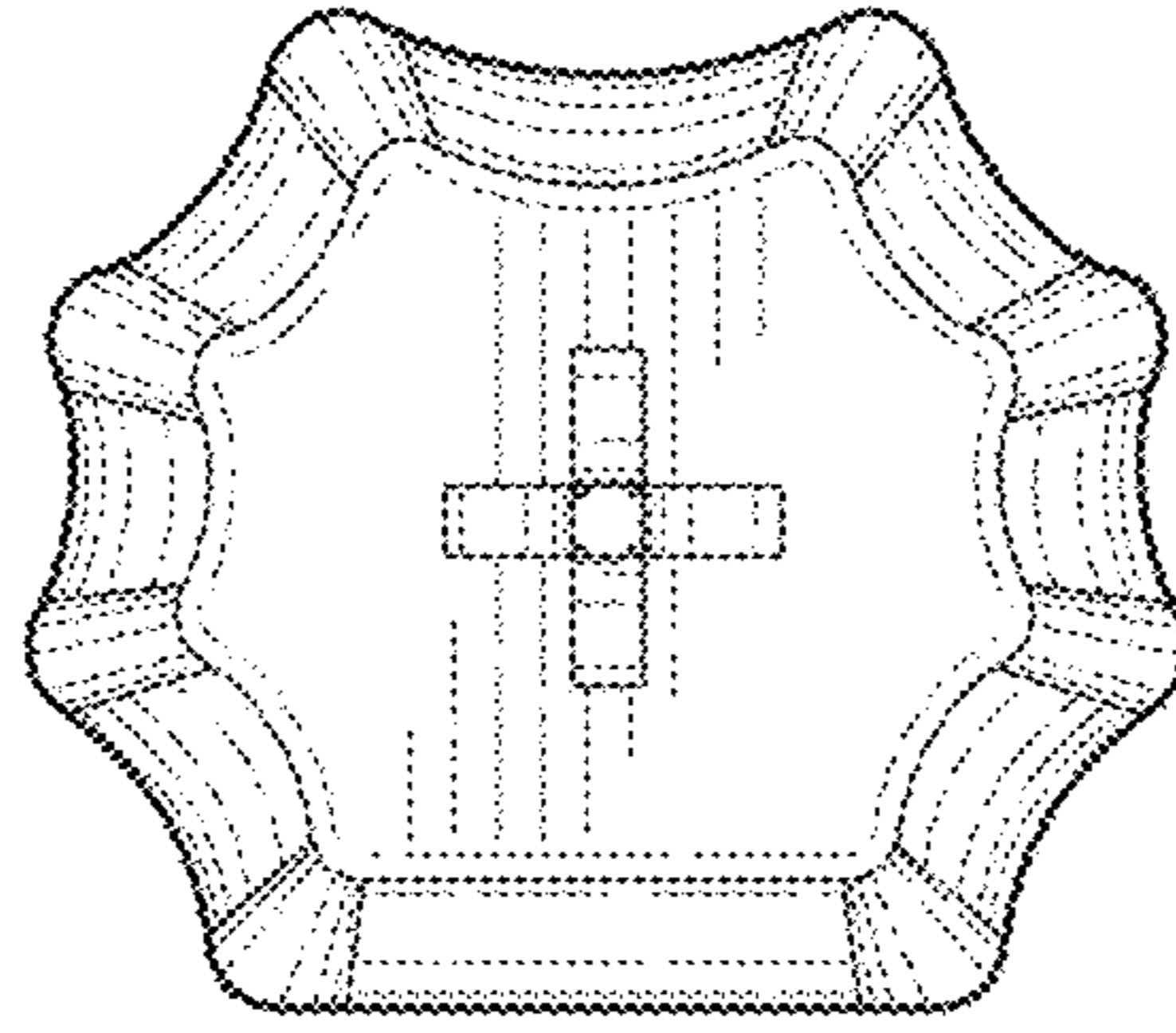


FIG. 7

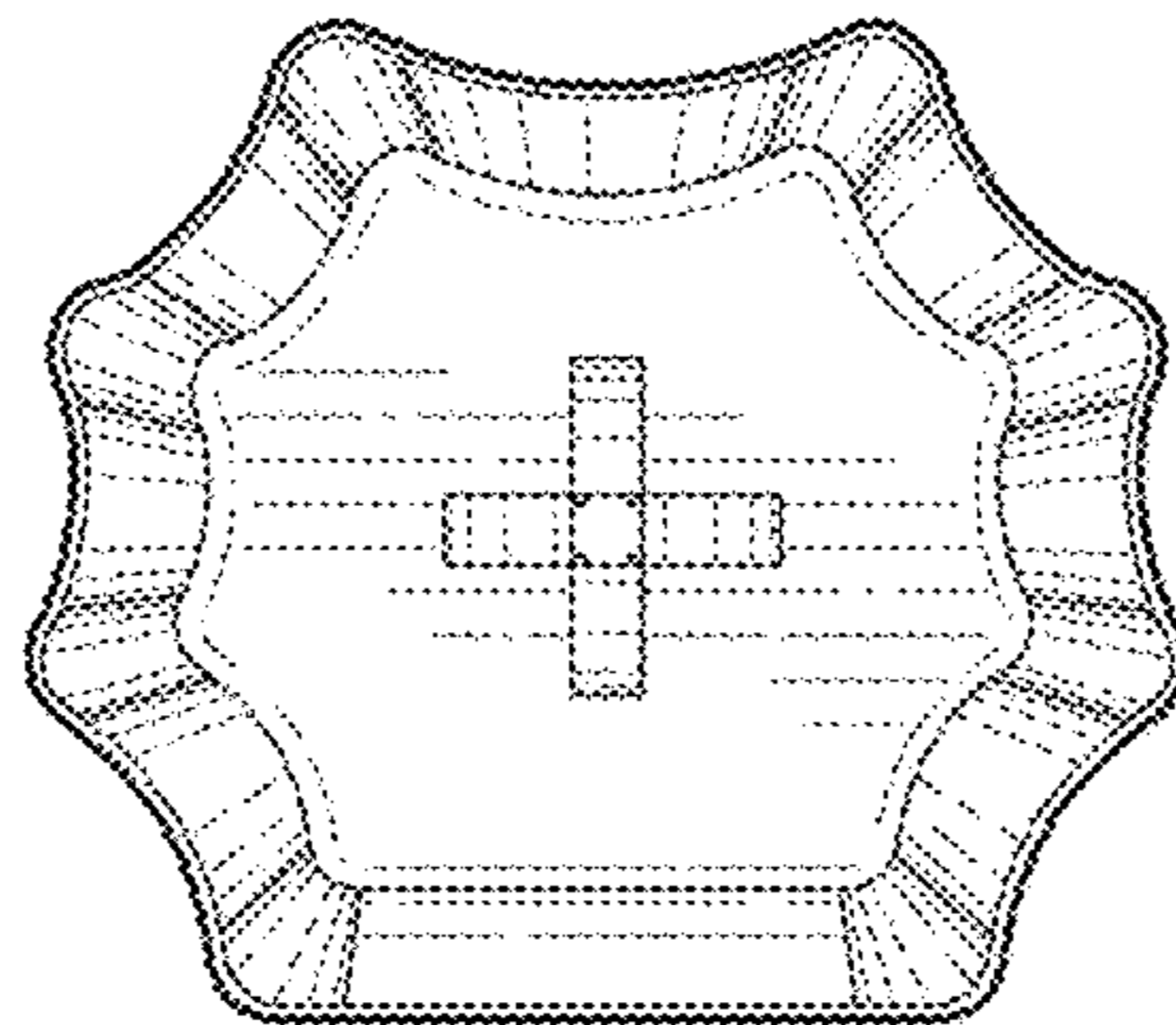


FIG. 8