



US00D758895S

(12) **United States Design Patent**
Anderson

(10) **Patent No.:** **US D758,895 S**
(45) **Date of Patent:** **** Jun. 14, 2016**

- (54) **CONE AND DEBRIS SCREEN FOR A RAIN GAUGE**
- (71) Applicant: **DAVIS INSTRUMENTS CORPORATION**, Hayward, CA (US)
- (72) Inventor: **Richard C. Anderson**, San Jose, CA (US)
- (73) Assignee: **DAVIS INSTRUMENTS CORPORATION**, Hayward, CA (US)

- 7,540,186 B2 6/2009 Jeong et al.
- D614,052 S 4/2010 Neitzel et al.
- D625,622 S 10/2010 Mallela et al.
- 8,028,576 B2 10/2011 Oster
- D675,543 S 2/2013 Brooking et al.
- D675,544 S 2/2013 Brooking et al.
- D675,945 S 2/2013 Brooking et al.
- D693,702 S 11/2013 Jones
- D705,098 S 5/2014 Brooking et al.
- D729,641 S 5/2015 Anderson

(**) Term: **15 Years**

(21) Appl. No.: **29/527,314**

(22) Filed: **May 18, 2015**

Related U.S. Application Data

(63) Continuation-in-part of application No. 29/482,206, filed on Feb. 14, 2014, now Pat. No. Des. 729,641.

(51) **LOC (10) Cl.** **10-04**

(52) **U.S. Cl.**
USPC **D10/56**

(58) **Field of Classification Search**
USPC D10/56
CPC G01W 1/14
See application file for complete search history.

(56) **References Cited**

U.S. PATENT DOCUMENTS

- 3,243,999 A * 4/1966 Barker G01W 1/14
177/102
- 3,943,762 A 3/1976 Baer
- D265,465 S 7/1982 Baldwin
- D265,466 S 7/1982 Baldwin
- 5,241,978 A * 9/1993 Shaw A01G 25/167
137/392
- 5,245,874 A 9/1993 Baer
- 6,401,530 B1 * 6/2002 Roman G01W 1/14
73/170.21

* cited by examiner

Primary Examiner — Antoine D Davis

(74) *Attorney, Agent, or Firm* — Kilpatrick Townsend & Stockton LLP

(57) **CLAIM**

The ornamental design for a cone and debris screen for a rain gauge, as shown and described.

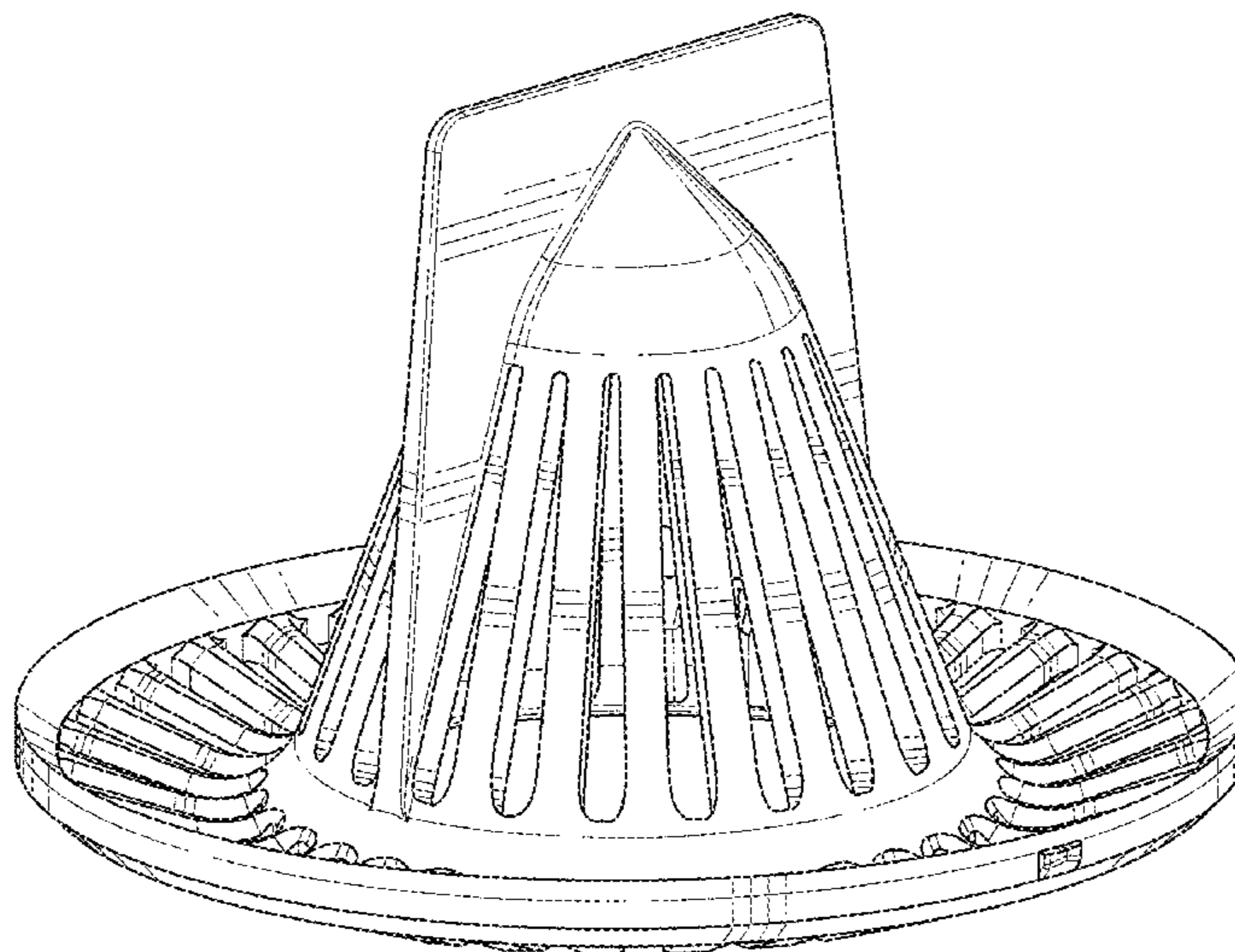
DESCRIPTION

FIG. 1 is a top perspective view of a cone and debris screen for a rain gauge showing my new design; FIG. 2 is a front elevational view thereof; FIG. 3 is a side elevational view thereof; FIG. 4 is a top plan view thereof; FIG. 5 is a bottom plan view thereof; and, FIG. 6 is a cross-sectional side view thereof.

The submitted line drawings (FIGS. 1-6) show some additional solid lines on the cone and debris screen for a rain gauge; some of these solid lines are not meant to convey actual solidly drawn lines, such as actual surface markings or ornamentation. As is generally recognized by persons skilled in the art of preparing digital drawings, such solid lines are meant to convey the boundaries for curved surfaces on the device.

The broken lines showing on the drawing disclosure is for illustrative purposes only and form no part of the claimed design.

1 Claim, 6 Drawing Sheets



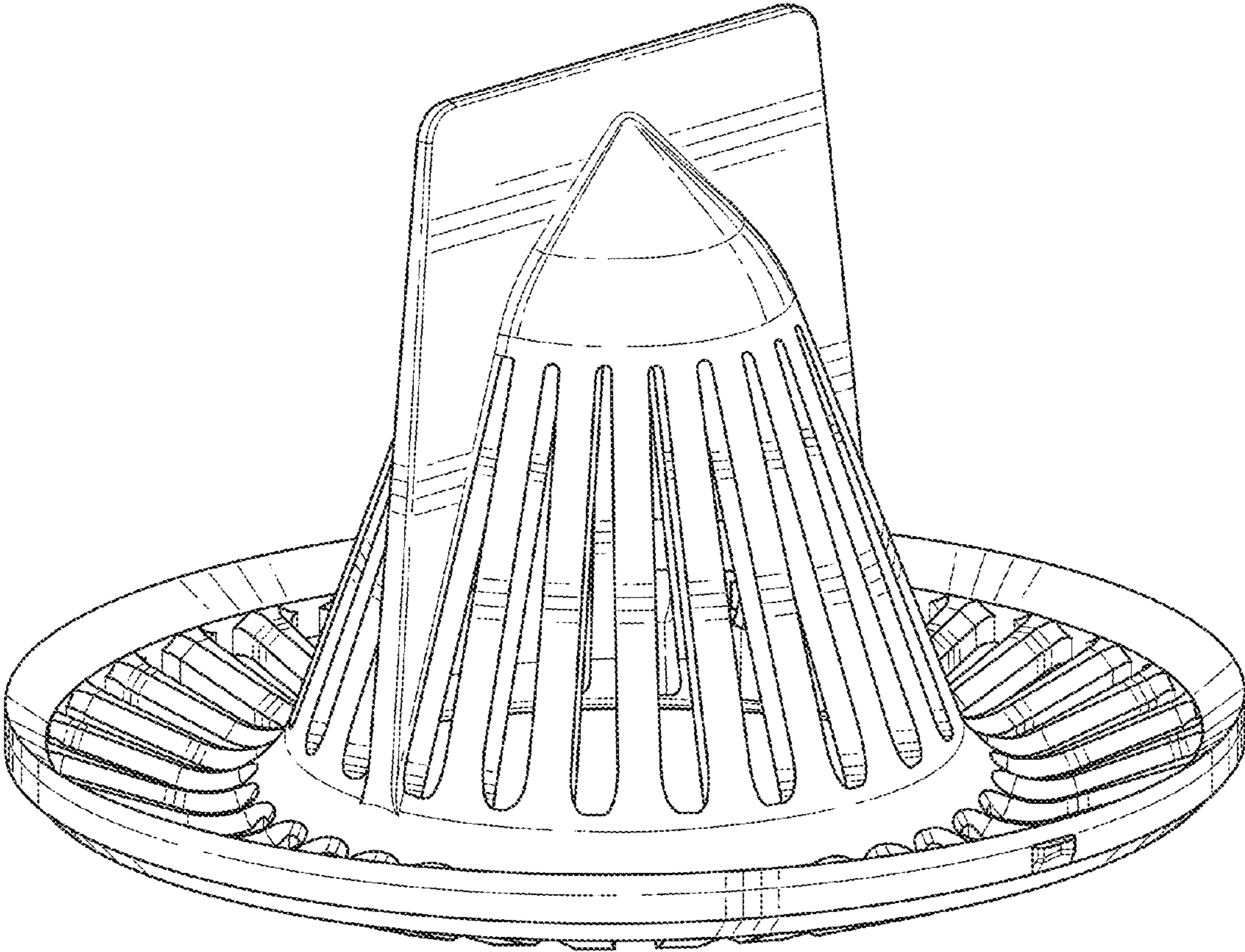


FIG. 1

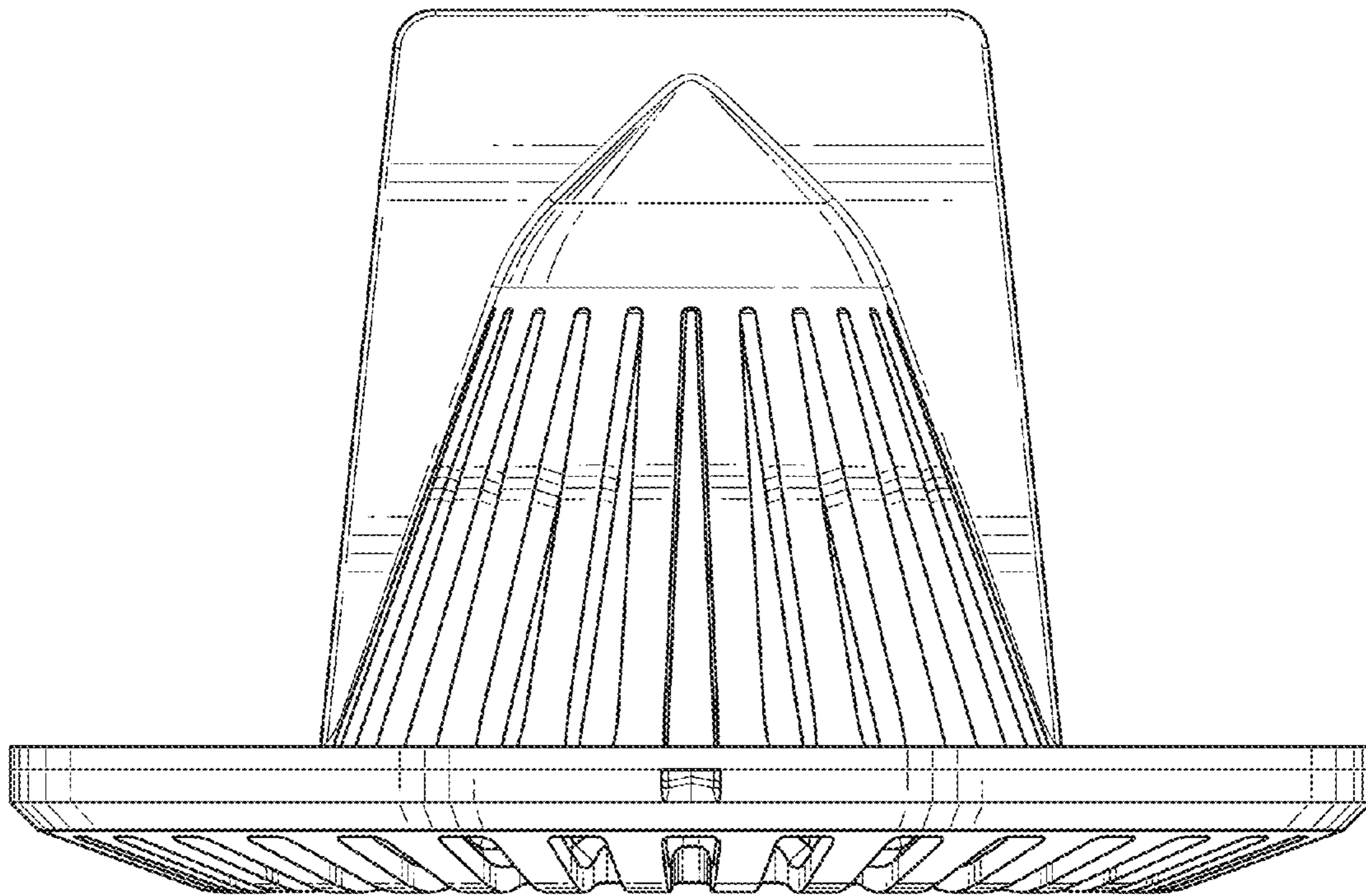


FIG. 2

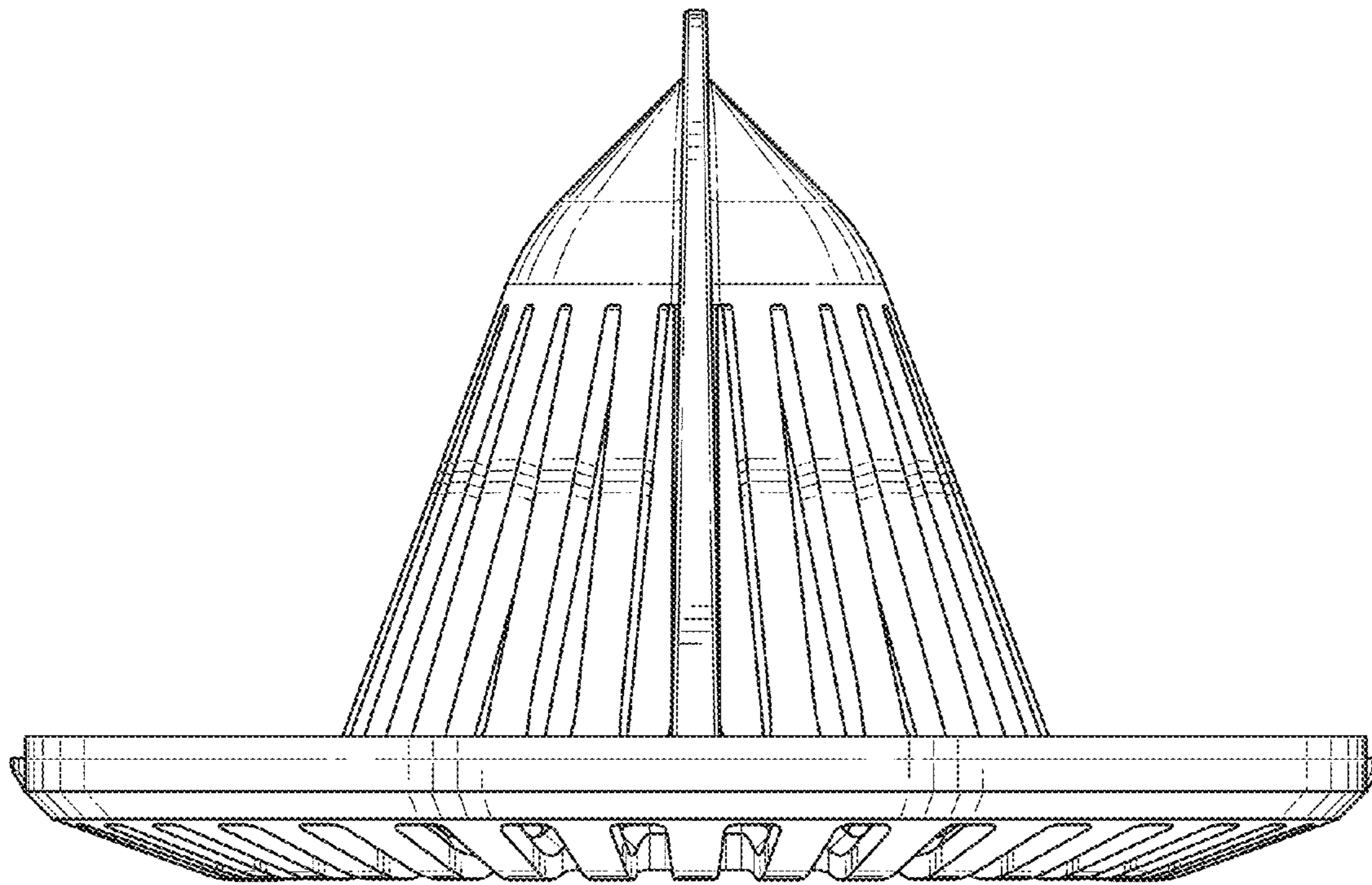


FIG. 3

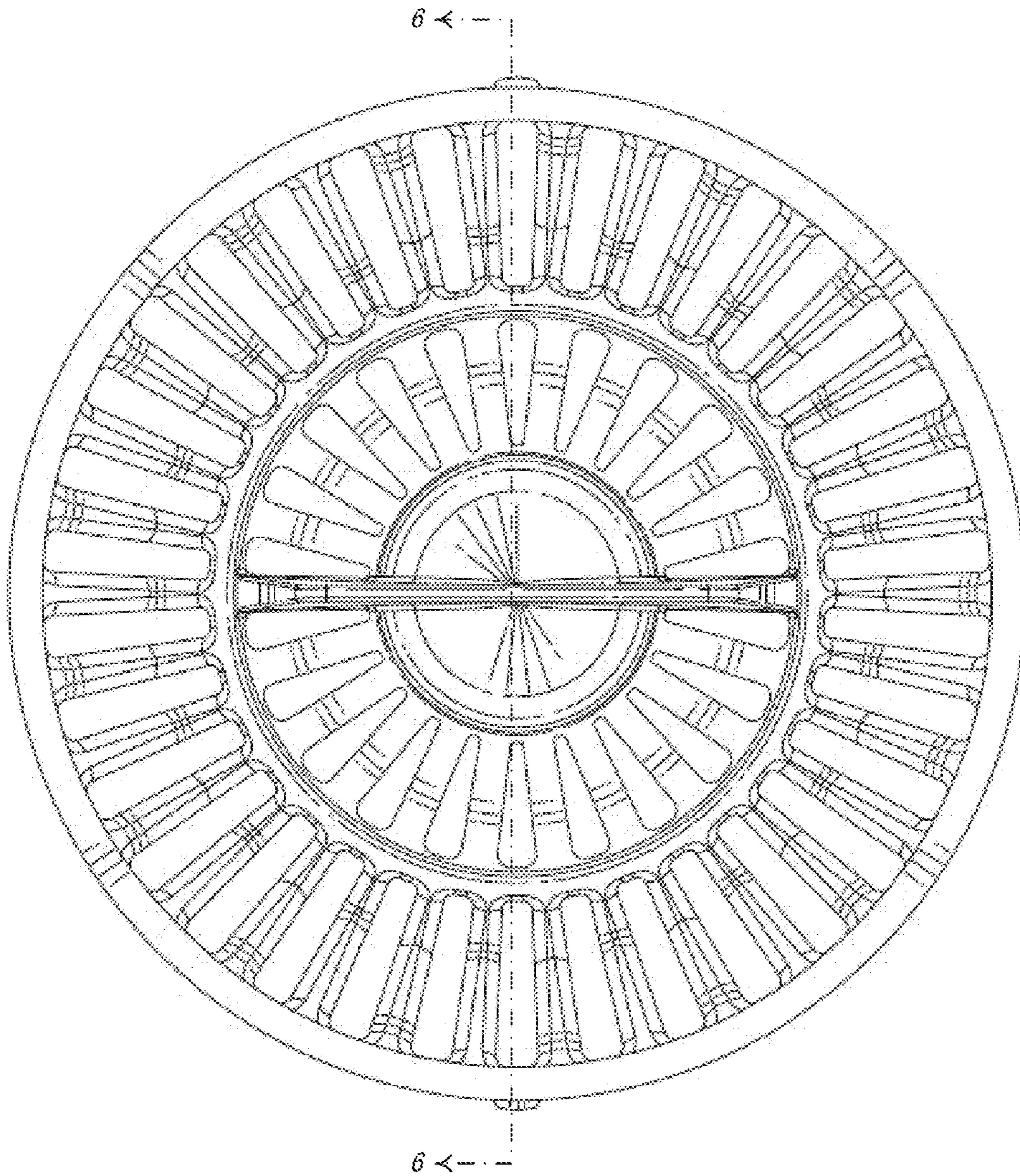


FIG. 4

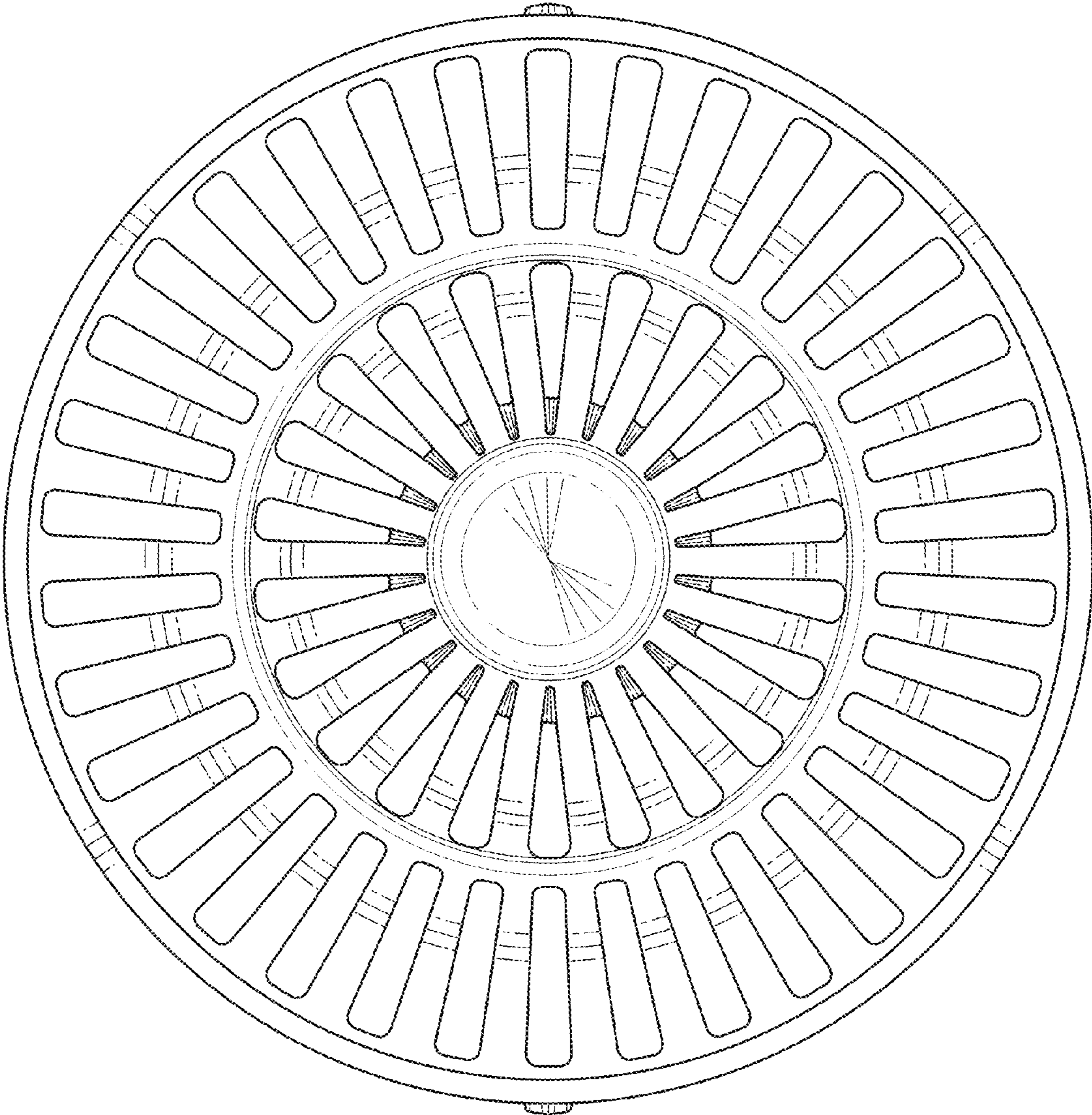


FIG. 5

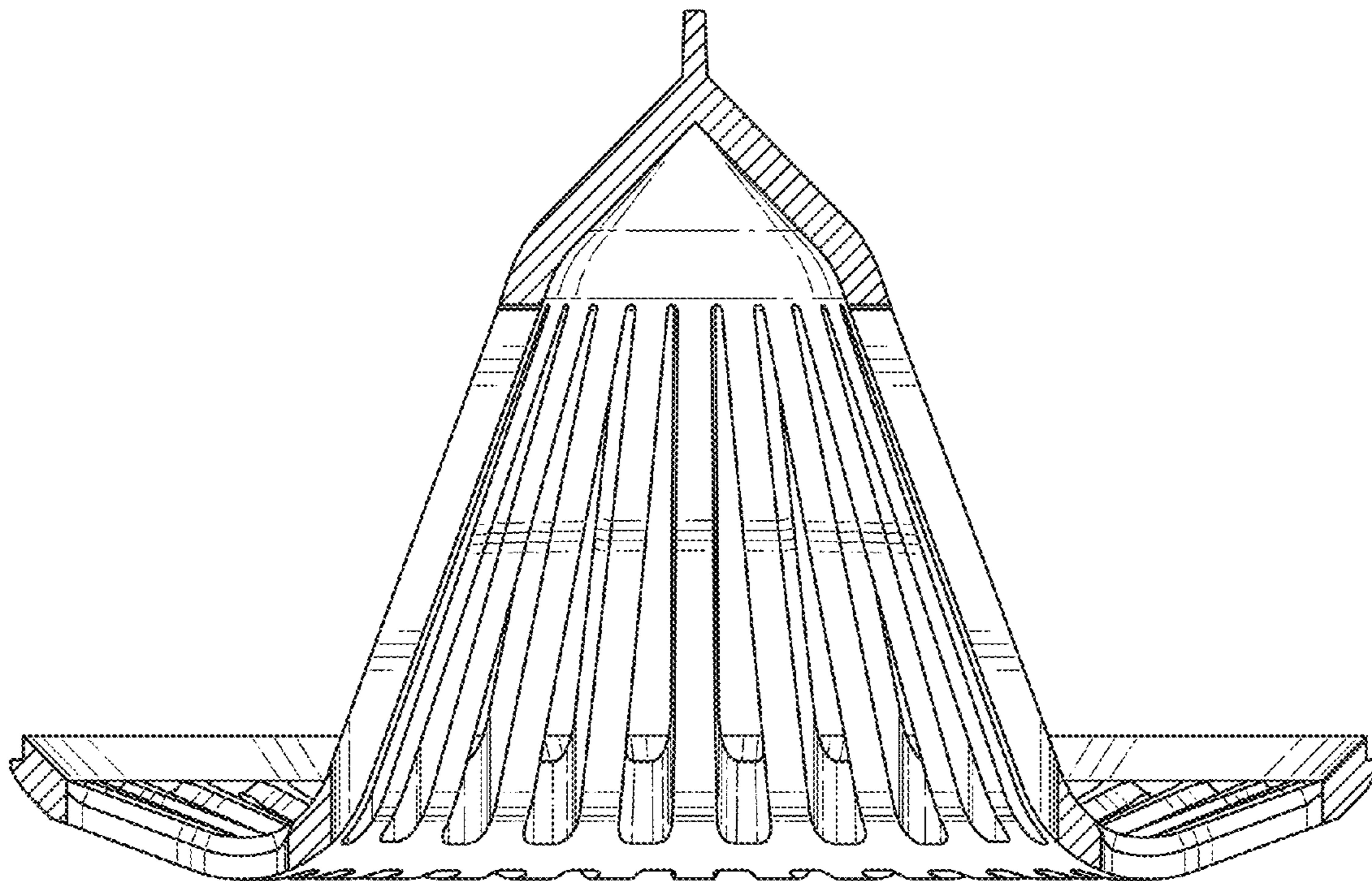


FIG. 6