



US00D758893S

(12) **United States Design Patent**
Logue

(10) **Patent No.:** **US D758,893 S**

(45) **Date of Patent:** **** *Jun. 14, 2016**

(54) **MEASURING CAP**

(71) Applicant: **LOGUE AND CO. PTY, AS TRUSTEE FOR A.T. AND L.M. LOGUE FAMILY TRUST**, Yowie Bay (AU)

(72) Inventor: **Anthony Thomas Logue**, Yowie Bay (AU)

(73) Assignee: **LOGUE AND CO. PTY LTD.**, Yowie Bay (AU), AS TRUSTEE FOR A.T. AND L.M. LOGUE FAMILY TRUST

(*) Notice: This patent is subject to a terminal disclaimer.

(**) Term: **14 Years**

(21) Appl. No.: **29/485,982**

(22) Filed: **Mar. 25, 2014**

(30) **Foreign Application Priority Data**

Sep. 26, 2013	(AU)	15004/2013
Oct. 23, 2013	(AU)	15460/2013
Nov. 14, 2013	(AU)	15896/2013
Dec. 2, 2013	(AU)	16331/2013

(51) **LOC (10) Cl.** **10-04**

(52) **U.S. Cl.**
USPC **D10/46.2**

(58) **Field of Classification Search**

USPC D10/46.2, 46, 46.3, 52, 60, 66, 103;
D7/589, 300, 665, 387, 397, 302, 303,
D7/316, 510, 312, 317; D9/439, 440, 447,
D9/452-454; D24/197, 224; 220/665;
222/566, 562, 158, 205; 141/381;
73/426-429; 422/908, 910, 912, 527,
422/556, 547; 215/17, 277, 214, 18, 21, 25,
215/45
CPC B65D 39/00; B65D 41/16; B65D 41/58;
B65D 47/06; B65D 47/068

See application file for complete search history.

(56) **References Cited**

U.S. PATENT DOCUMENTS

D301,007 S *	5/1989	Laski	D7/378
5,377,879 A *	1/1995	Isaacs	A61J 7/0023 222/192

(Continued)

Primary Examiner — Eric Goodman

Assistant Examiner — Clese Moore, Jr.

(74) *Attorney, Agent, or Firm* — Sughrue Mion, PLLC

(57) **CLAIM**

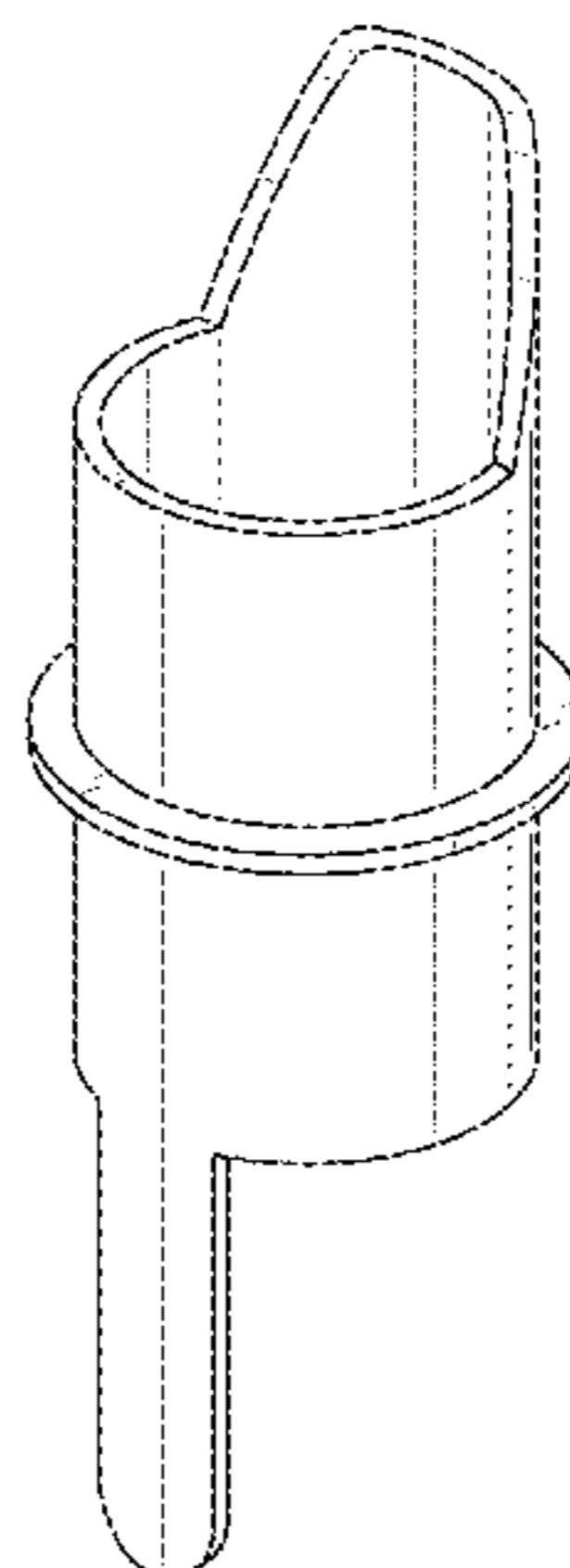
The ornamental design for a measuring cap, as shown and described.

DESCRIPTION

FIG. 1 is a front perspective view of a first exemplary embodiment of my design;
FIG. 2 is a front view thereof;
FIG. 3 is rear view thereof;
FIG. 4 is right side view thereof;
FIG. 5 is left side view thereof;
FIG. 6 is top view thereof;
FIG. 7 is bottom view thereof;
FIG. 8 is a front perspective view of a second exemplary embodiment of my design;
FIG. 9 is a front view thereof;
FIG. 10 is rear view thereof;
FIG. 11 is right side view thereof;
FIG. 12 is left side view thereof;
FIG. 13 is top view thereof; and
FIG. 14 is bottom view thereof.
FIG. 15 is a front perspective view of a third exemplary embodiment of my design;
FIG. 16 is a front view thereof;
FIG. 17 is rear view thereof;
FIG. 18 is right side view thereof;
FIG. 19 is left side view thereof;
FIG. 20 is top view thereof;
FIG. 21 is bottom view thereof;
FIG. 22 is a front perspective view of a fourth exemplary embodiment of my design;
FIG. 23 is a front view thereof;
FIG. 24 is rear view thereof;
FIG. 25 is right side view thereof;
FIG. 26 is left side view thereof;
FIG. 27 is top view thereof; and,
FIG. 28 is bottom view thereof.

The broken lines shown in the drawings represent portions of the measuring cap which form no part of the claimed design.

1 Claim, 16 Drawing Sheets



(56)

References Cited

U.S. PATENT DOCUMENTS

D360,580 S * 7/1995 Bomareto D9/447
D366,840 S * 2/1996 Schagerstrom D10/46.2
D368,856 S * 4/1996 Peay D9/447
D418,417 S * 1/2000 Hollinger D9/440
D421,908 S * 3/2000 Abrams D9/440
D534,818 S * 1/2007 Schoen D10/46
D579,259 S * 10/2008 Venier D7/316
D647,210 S * 10/2011 Wilkinson D24/224
D654,384 S * 2/2012 McDonald D10/66

D661,939 S * 6/2012 Kern D7/316
D670,578 S * 11/2012 Perry D10/46.2
D678,791 S * 3/2013 Ford D10/103
D683,184 S * 5/2013 Lin D7/316
D690,596 S * 10/2013 Logue D9/447
D695,416 S * 12/2013 Saliaris D24/224
D707,502 S * 6/2014 Alavian D7/665
D720,241 S * 12/2014 Logue D10/46.2
D720,631 S * 1/2015 Logue D10/46.2
D728,297 S * 5/2015 Melzer D7/300.1
D729,592 S * 5/2015 Alavian D7/665
D735,514 S * 8/2015 Cheung D7/300

* cited by examiner

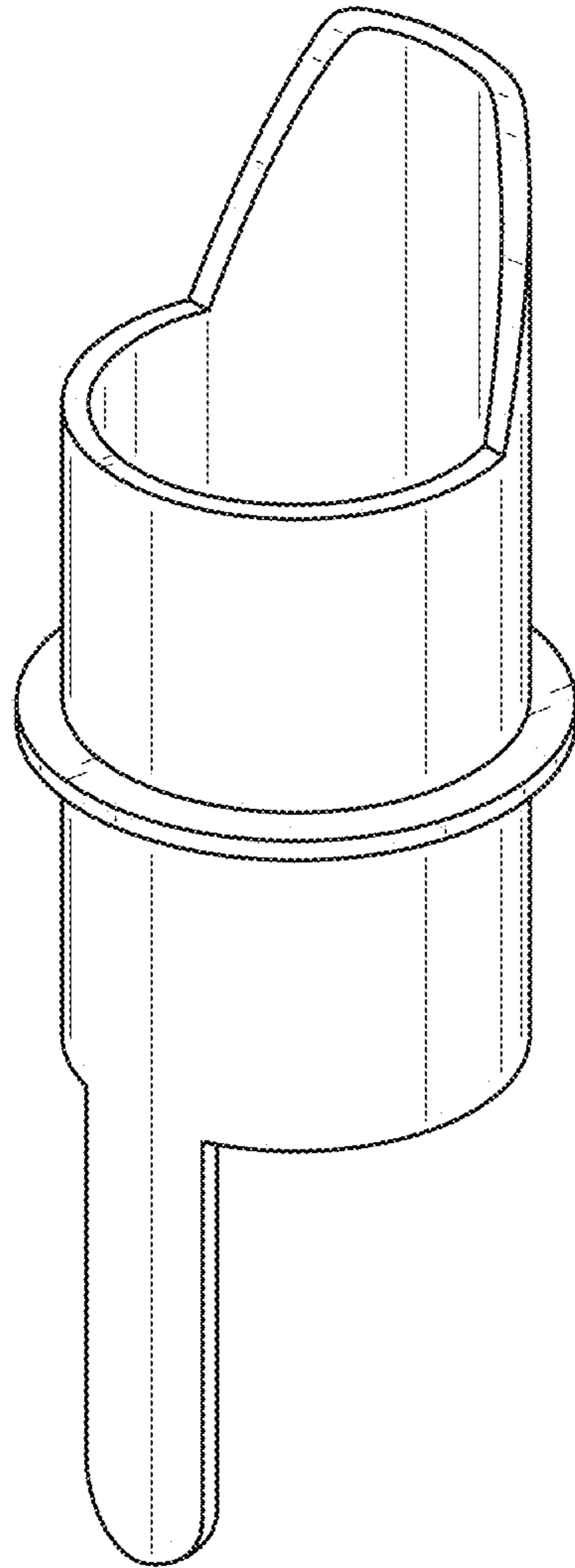


FIG. 1

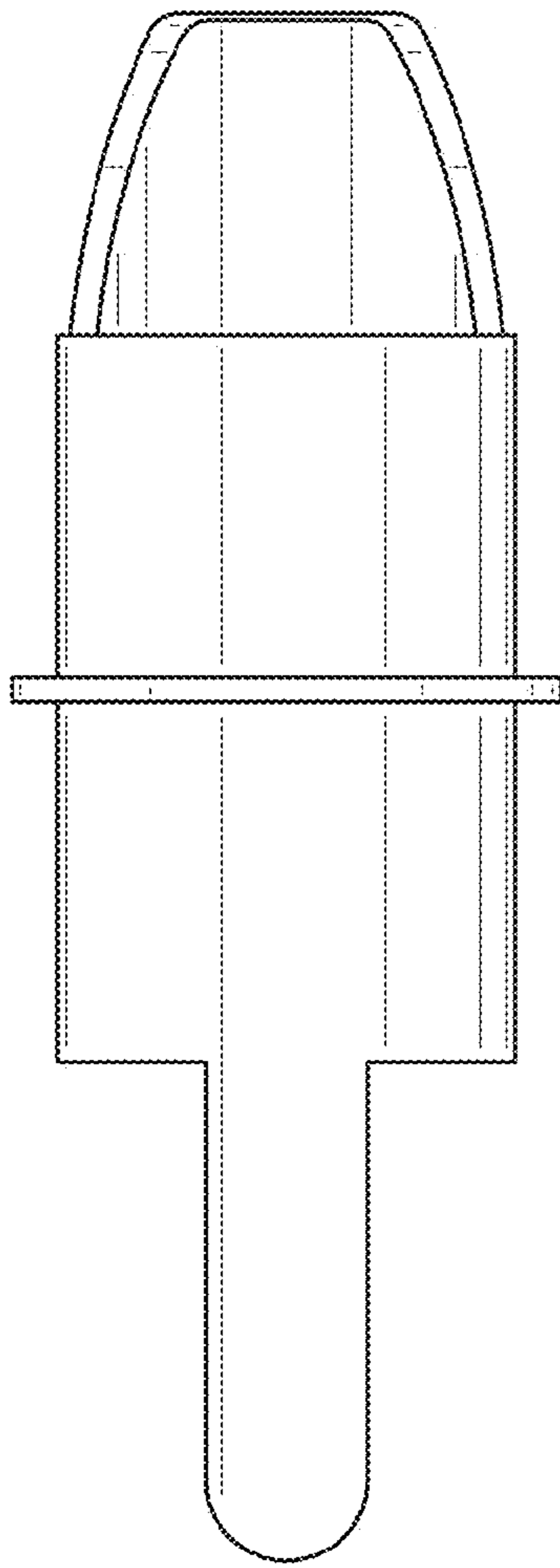


FIG. 2

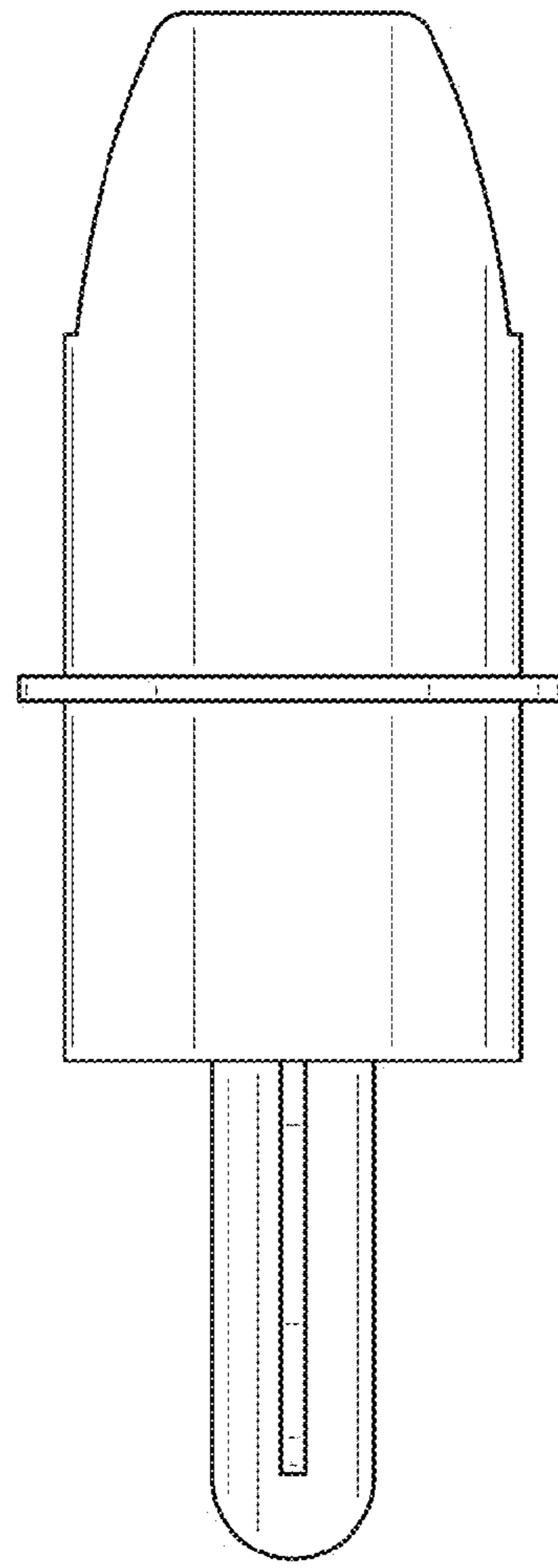


FIG. 3

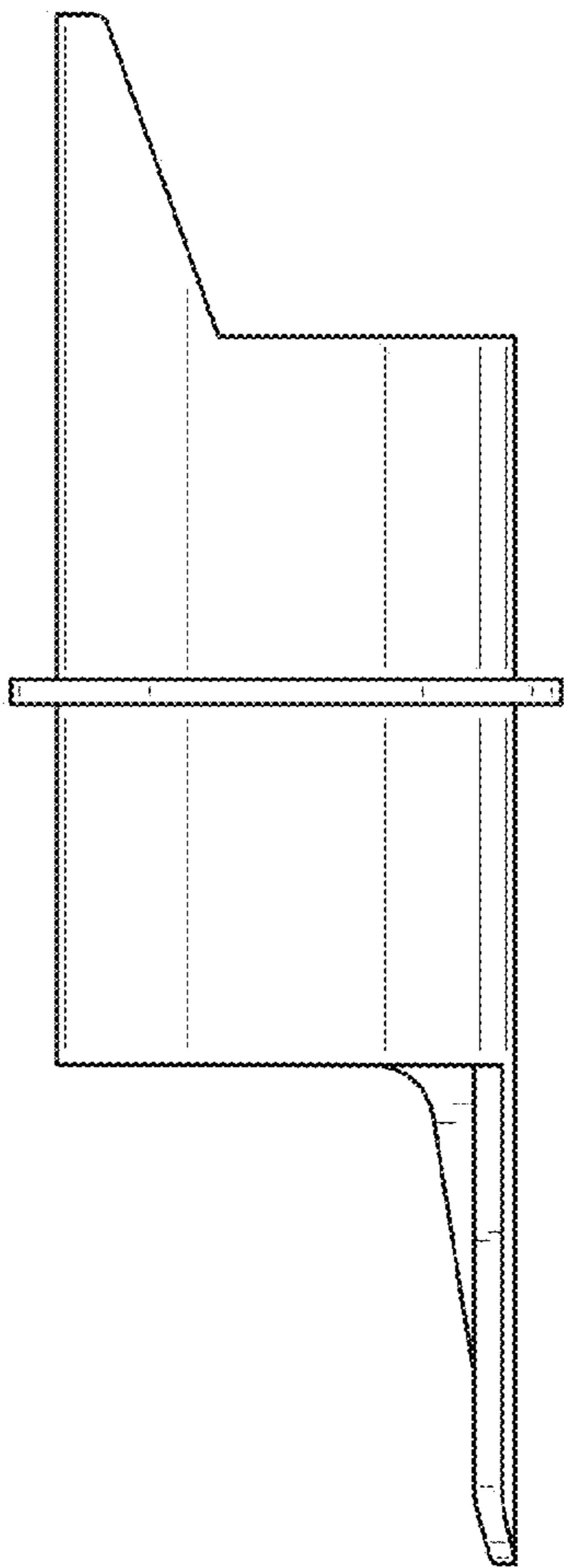


FIG. 4

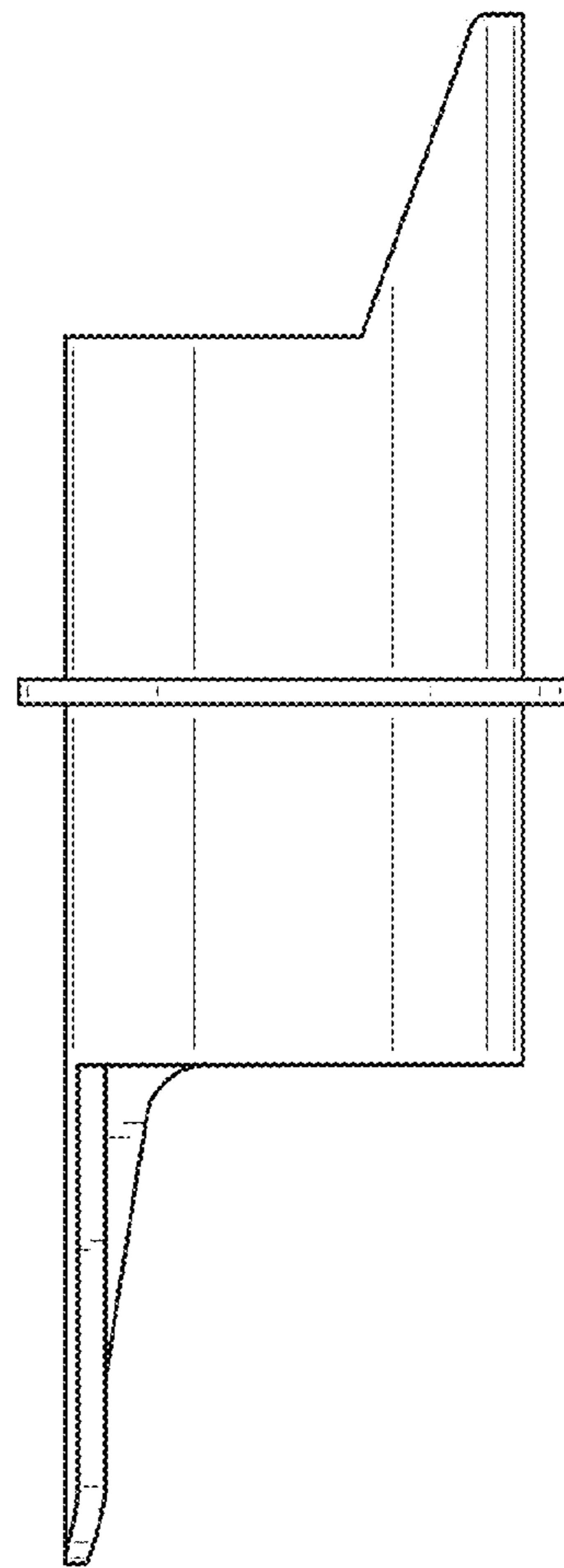


FIG. 5

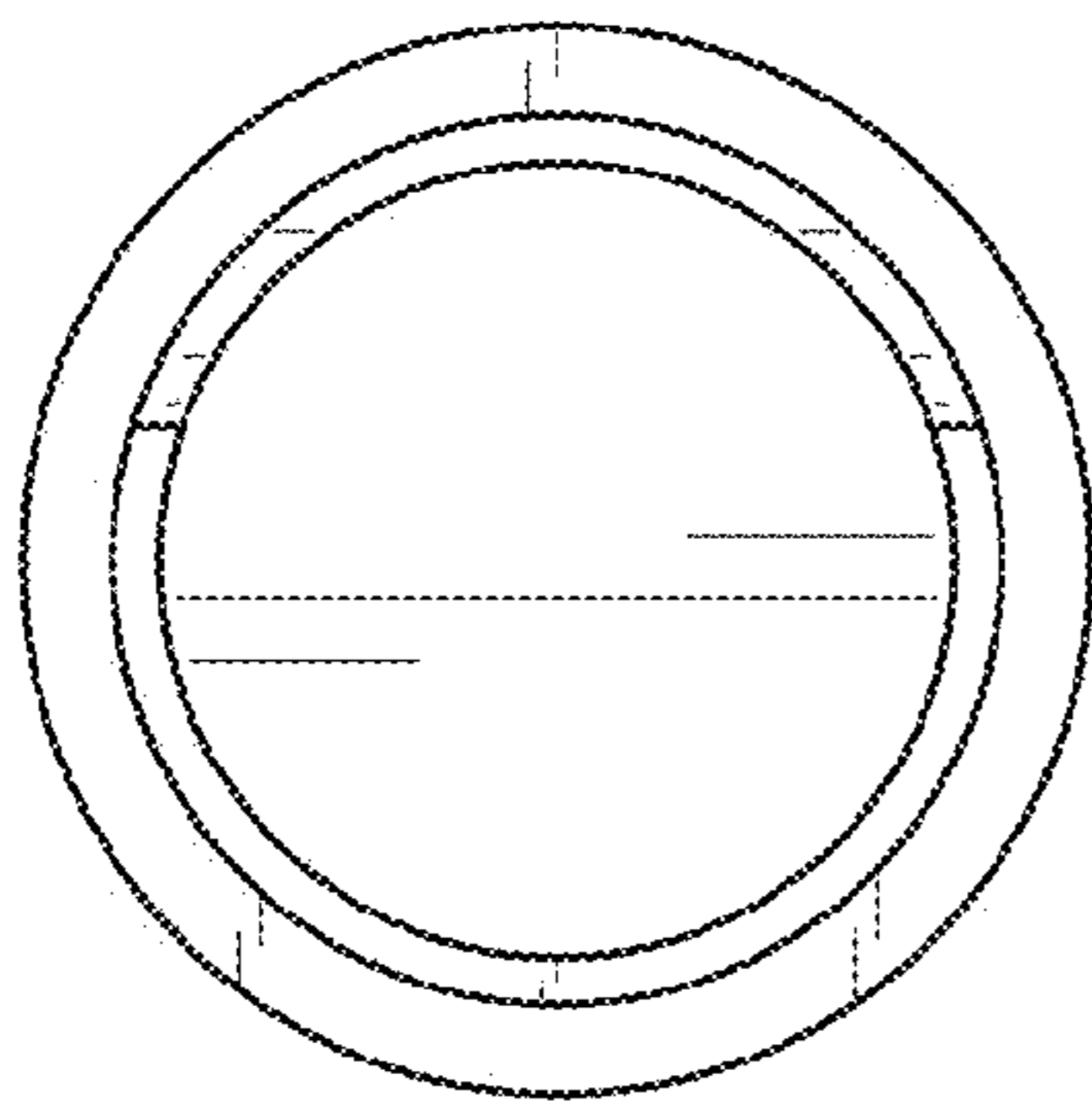


FIG. 6

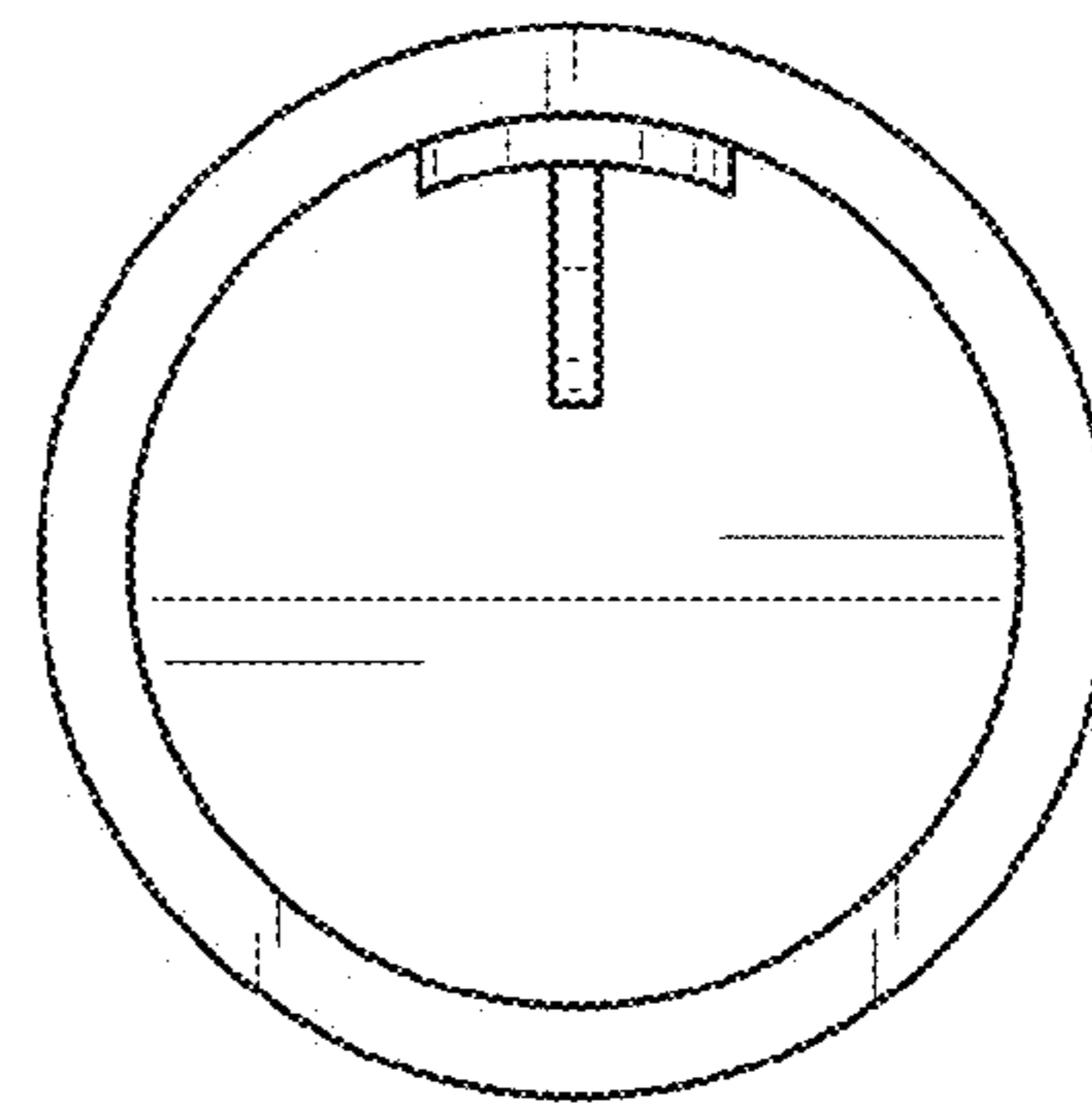


FIG. 7

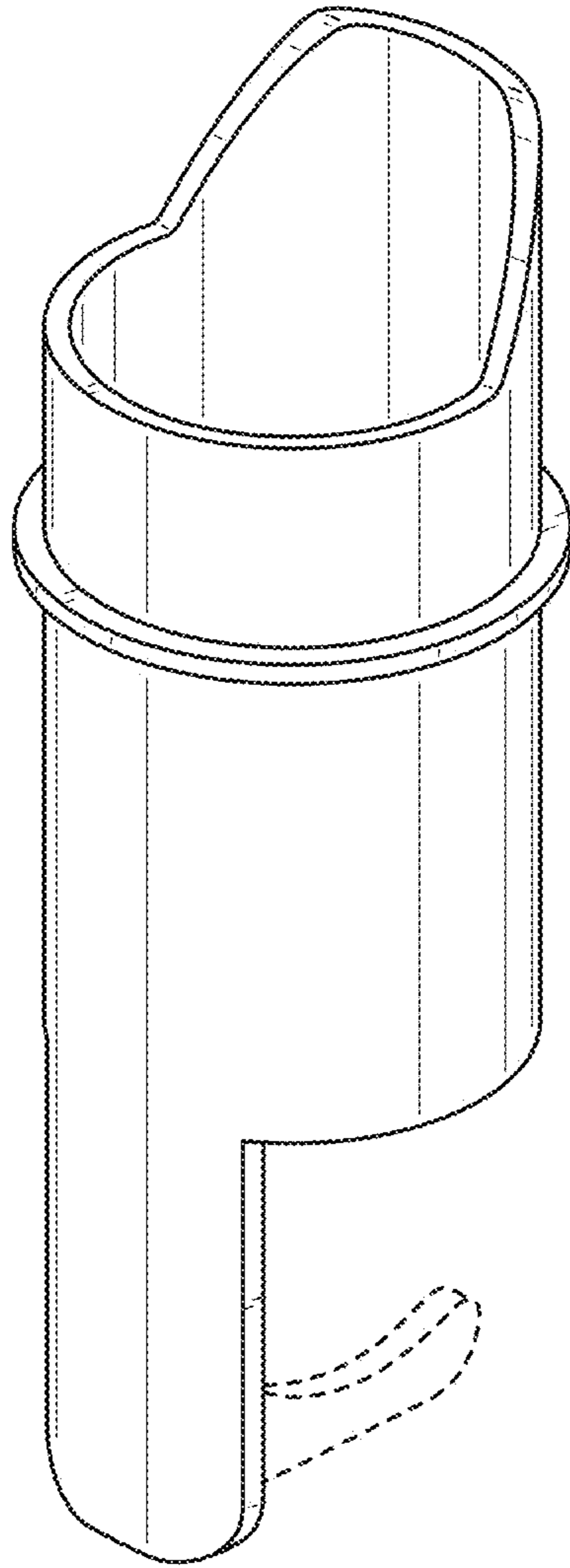


FIG. 8

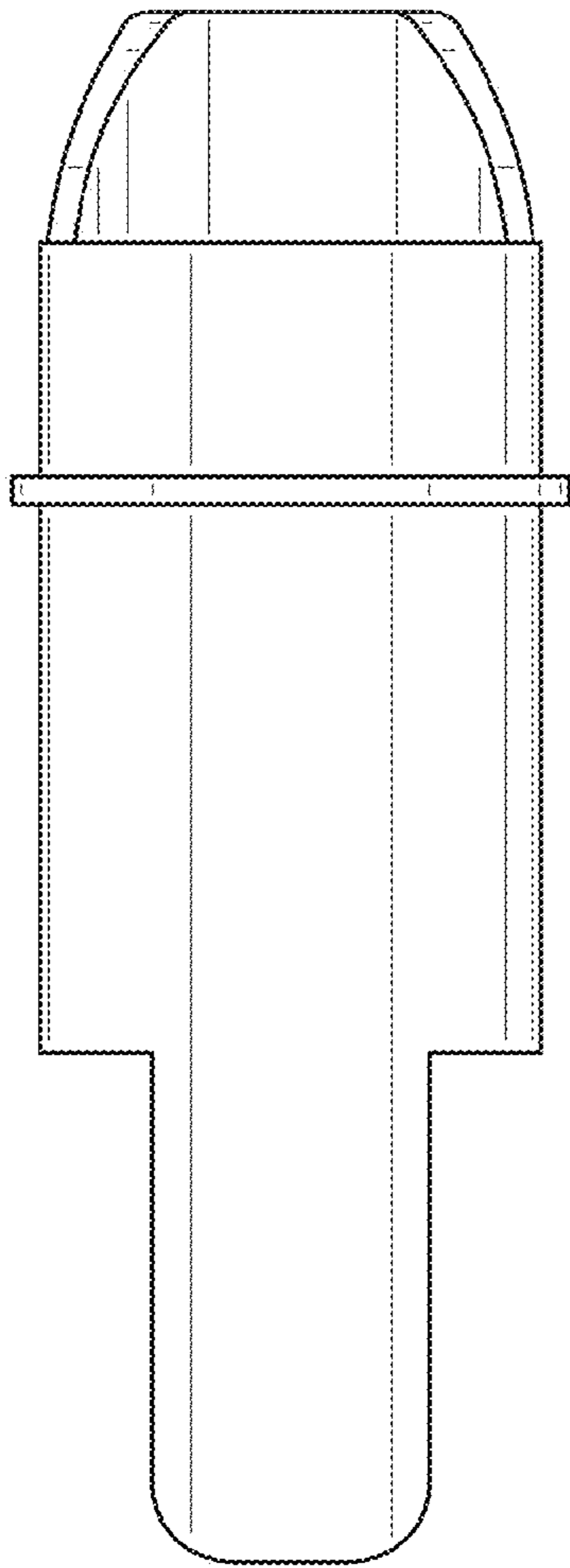


FIG. 9

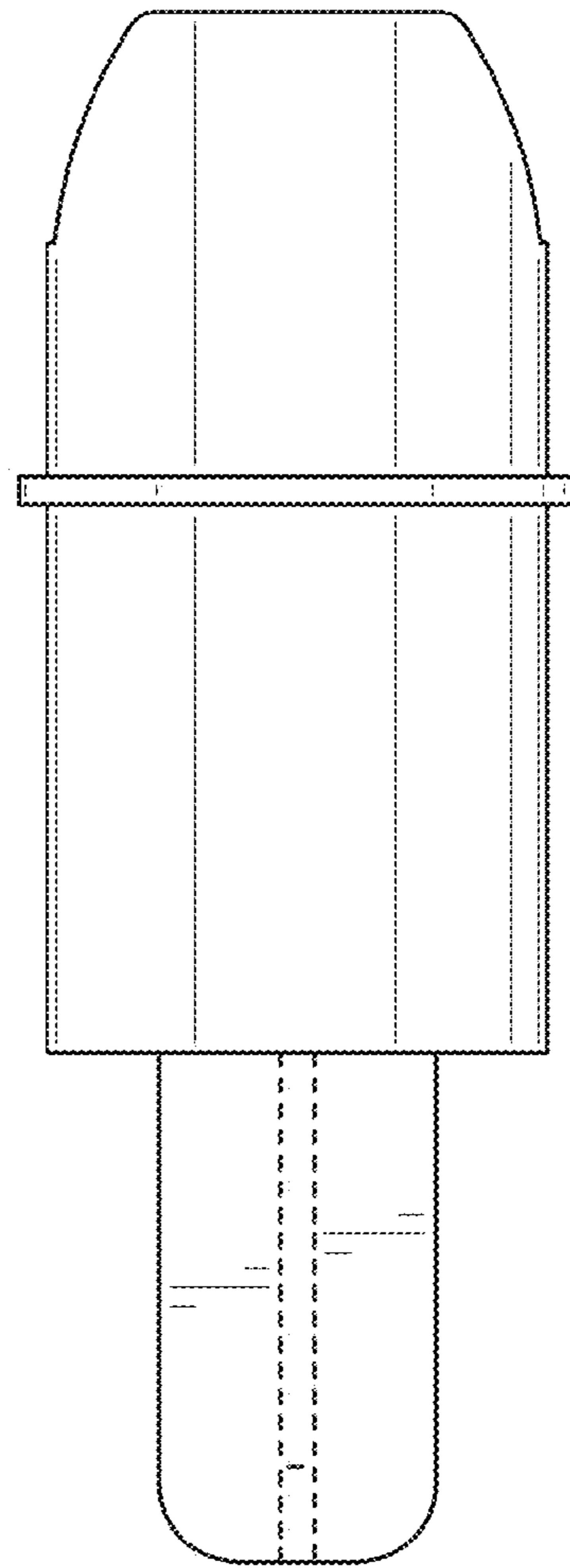


FIG. 10

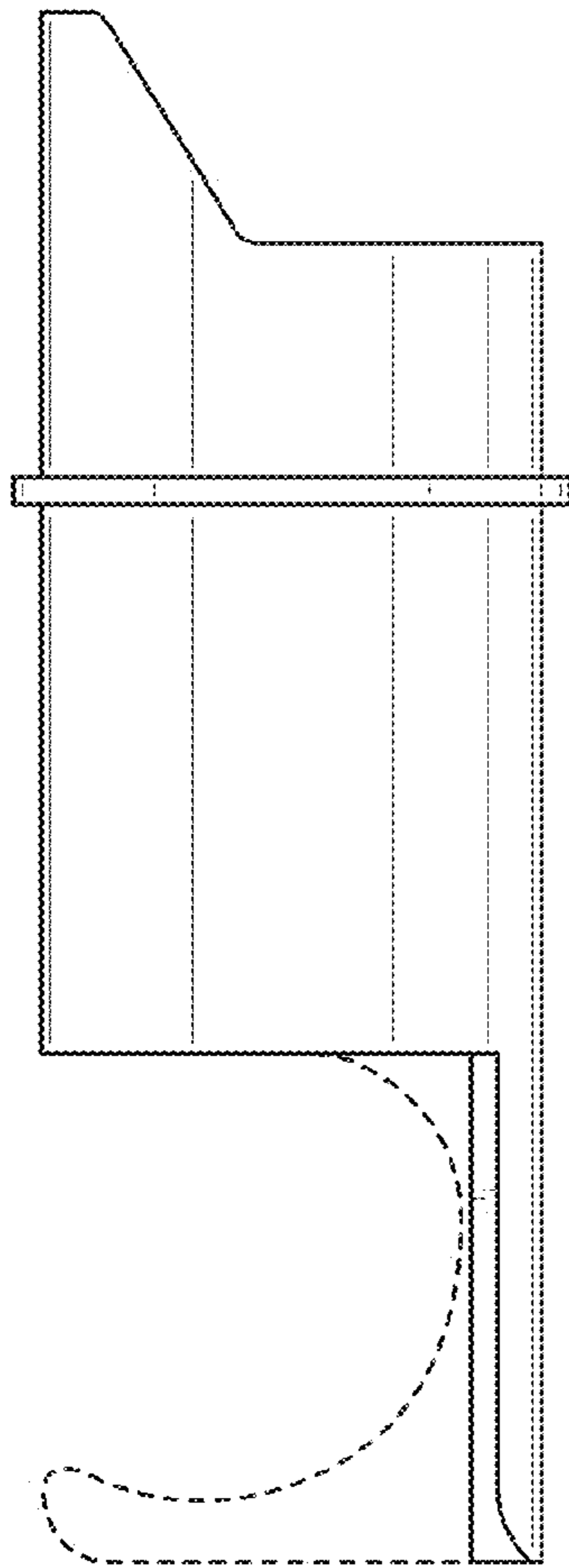


FIG. 11

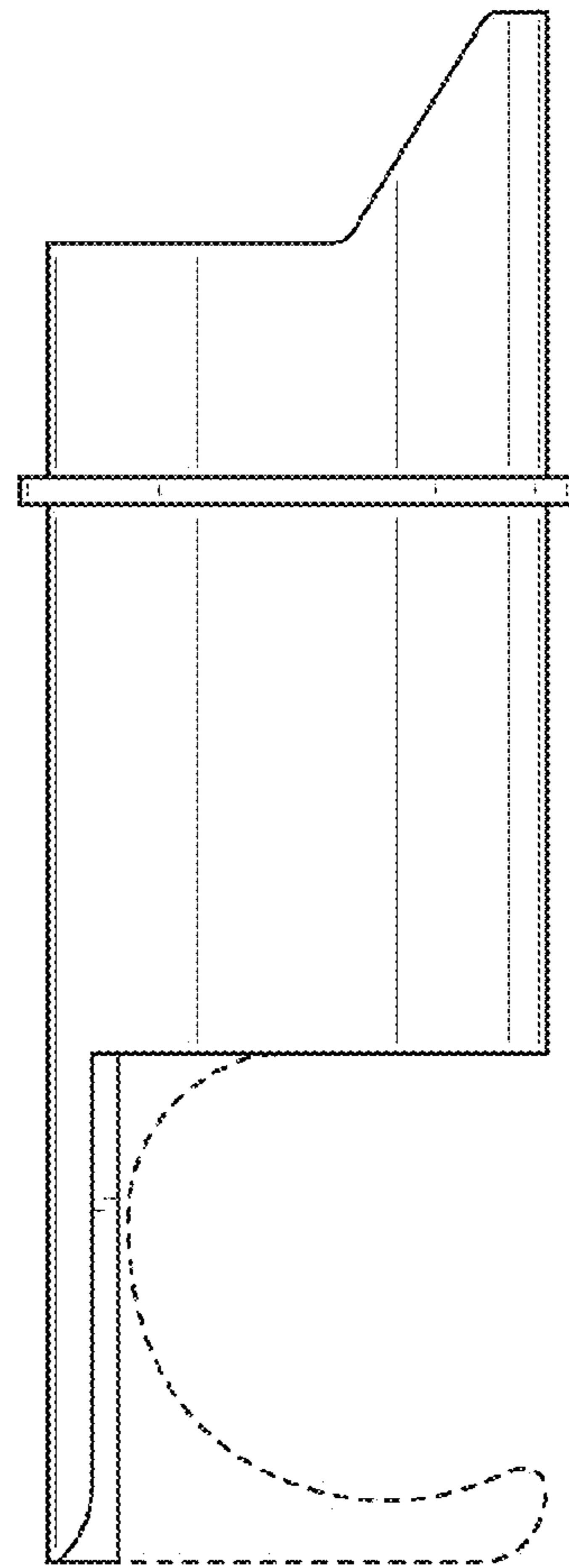


FIG. 12

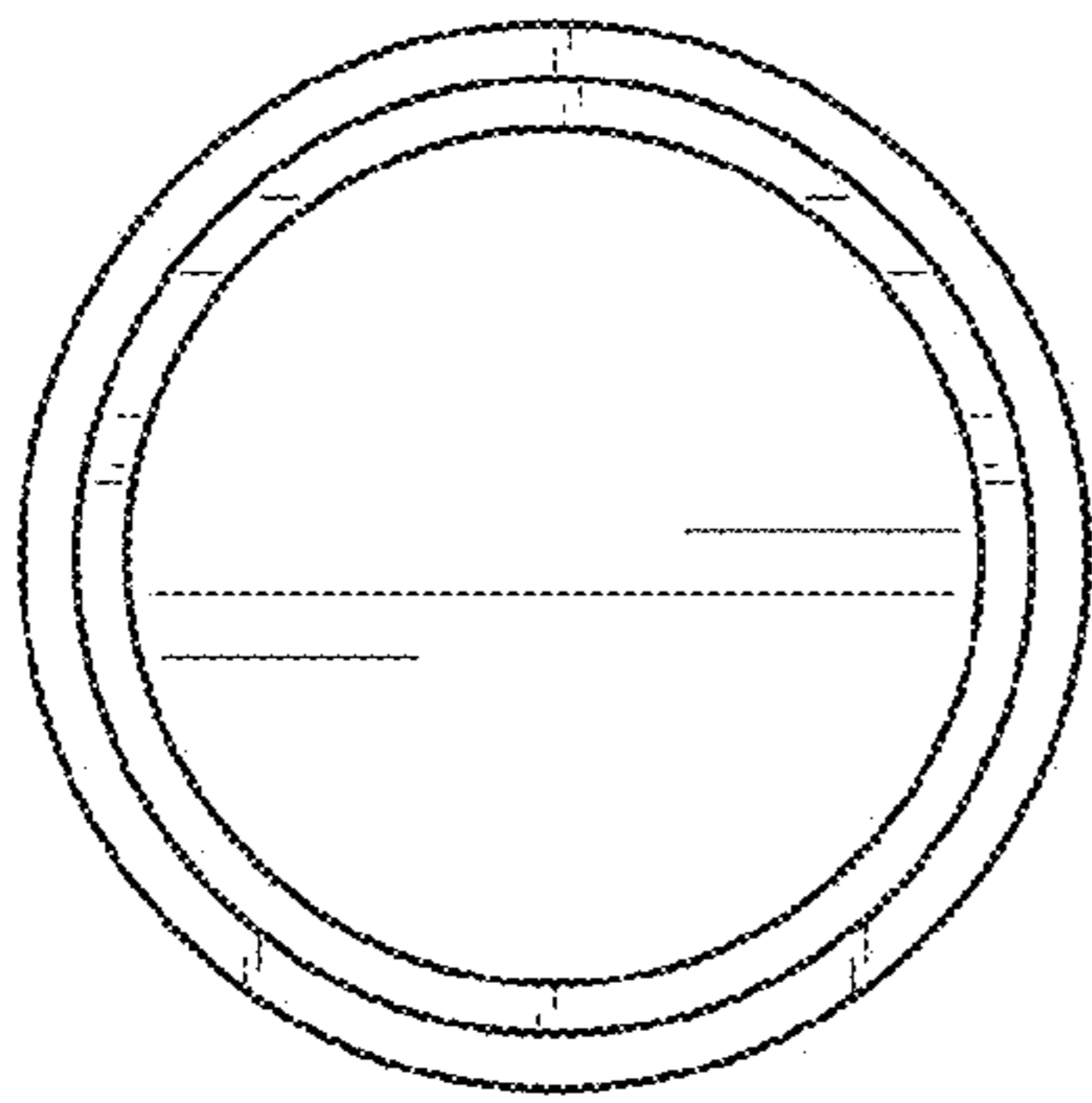


FIG. 13

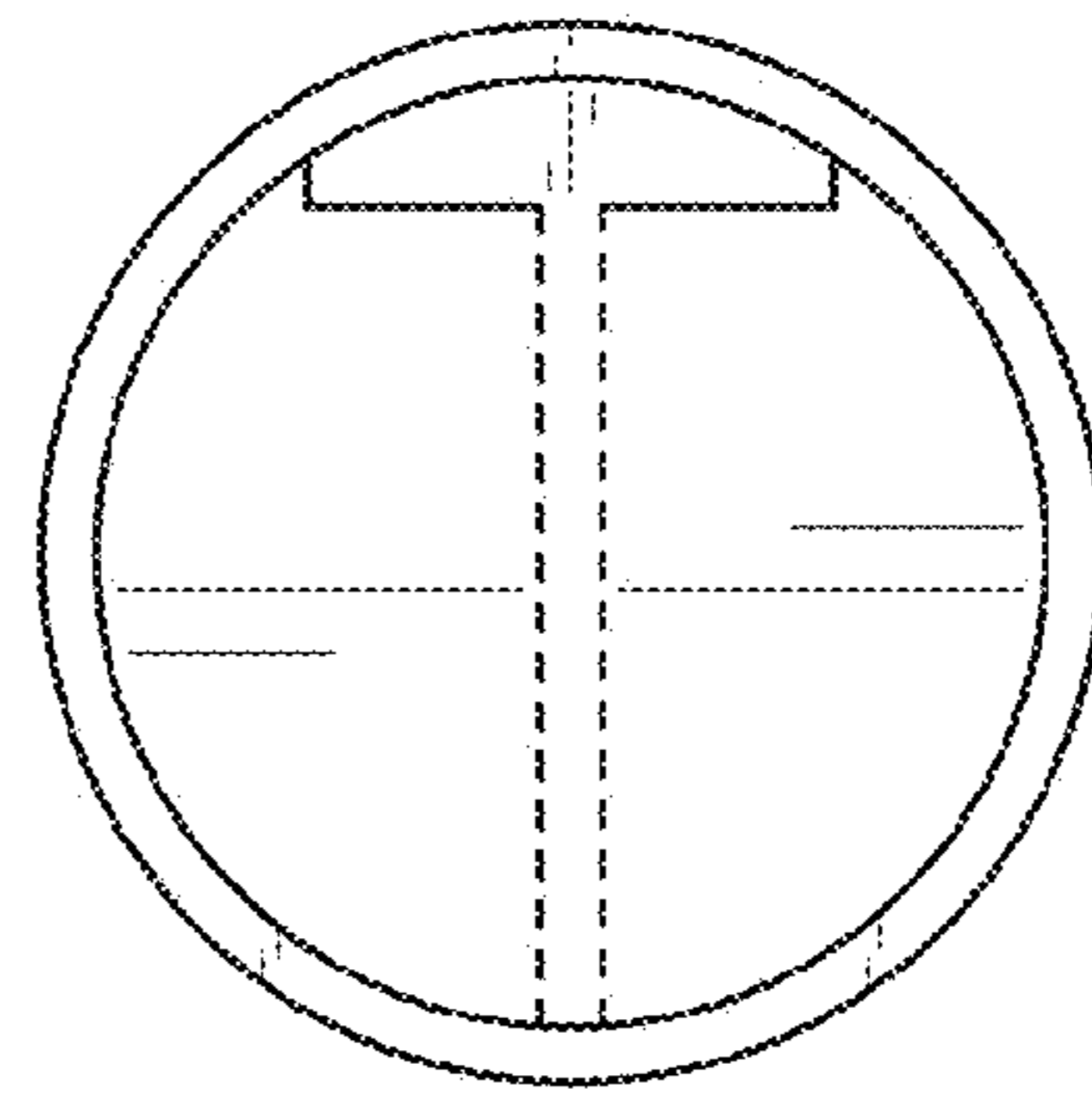


FIG. 14

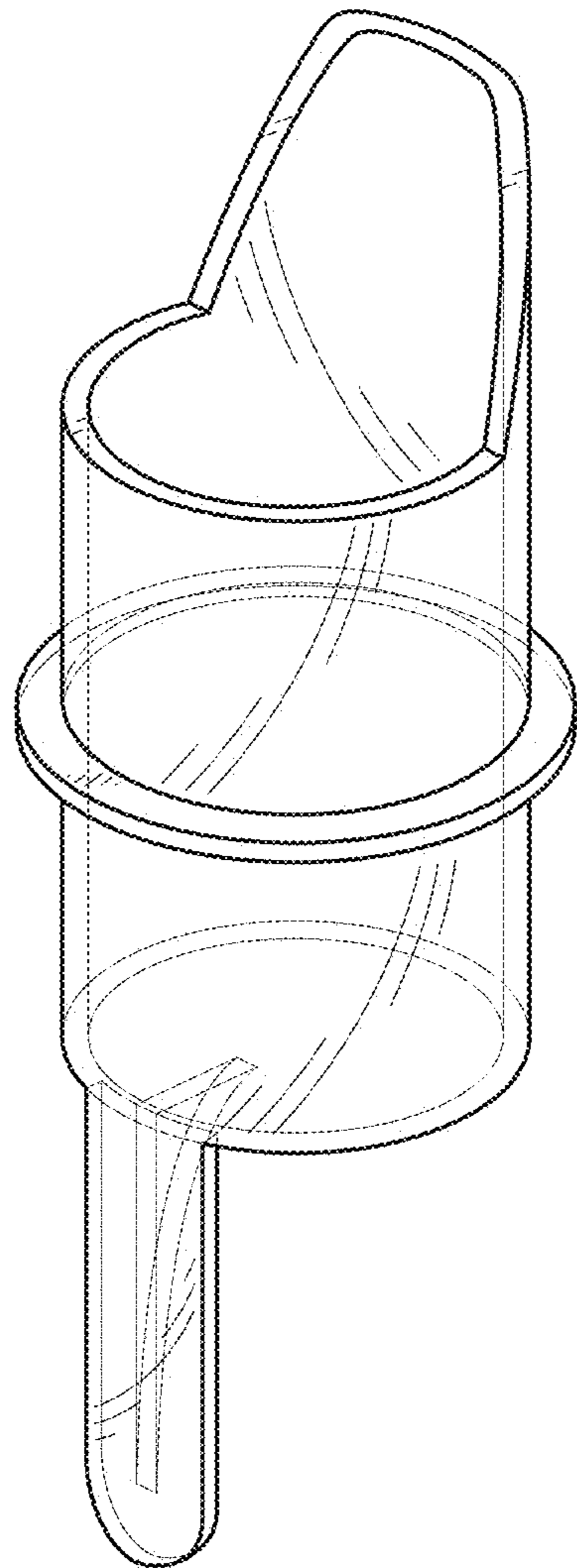


FIG. 15

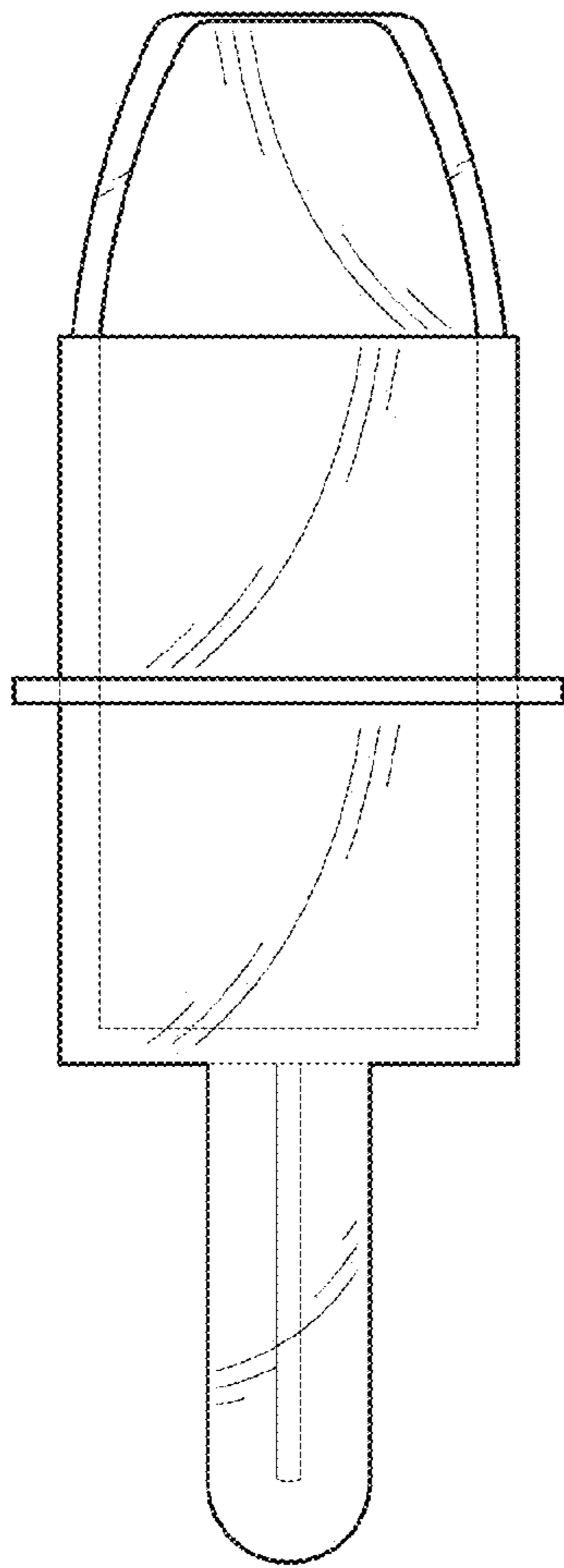


FIG. 16

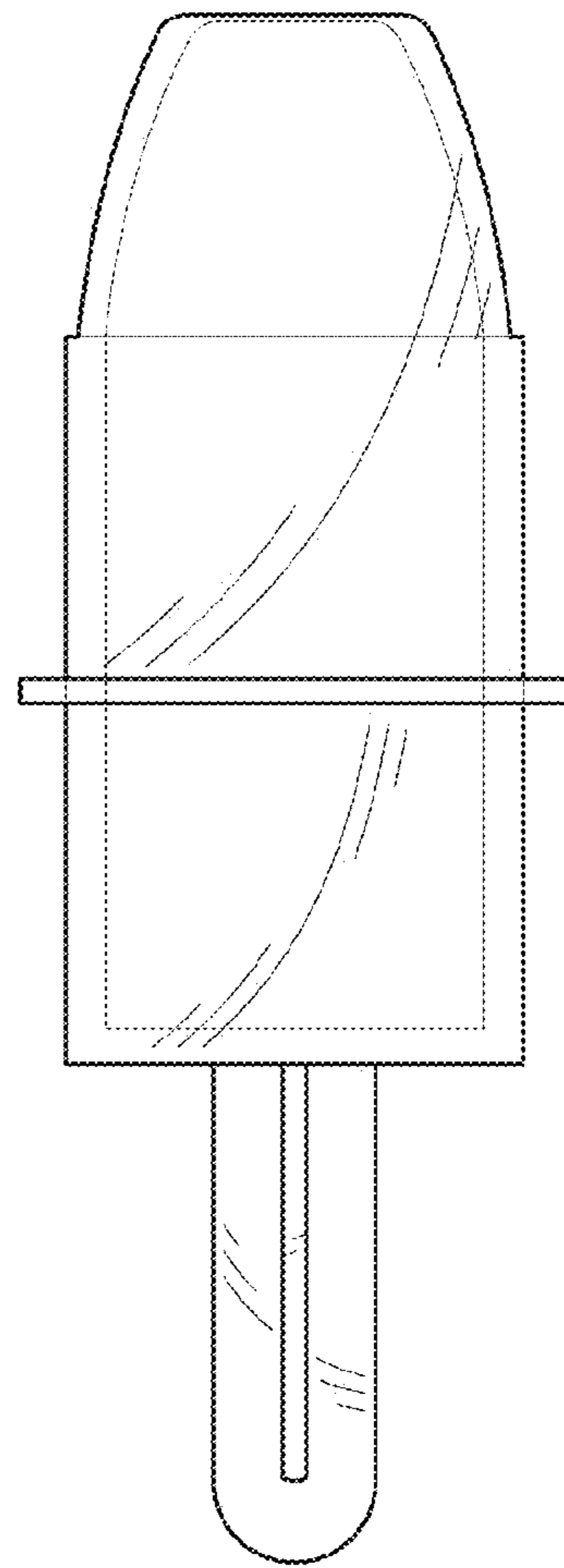


FIG. 17

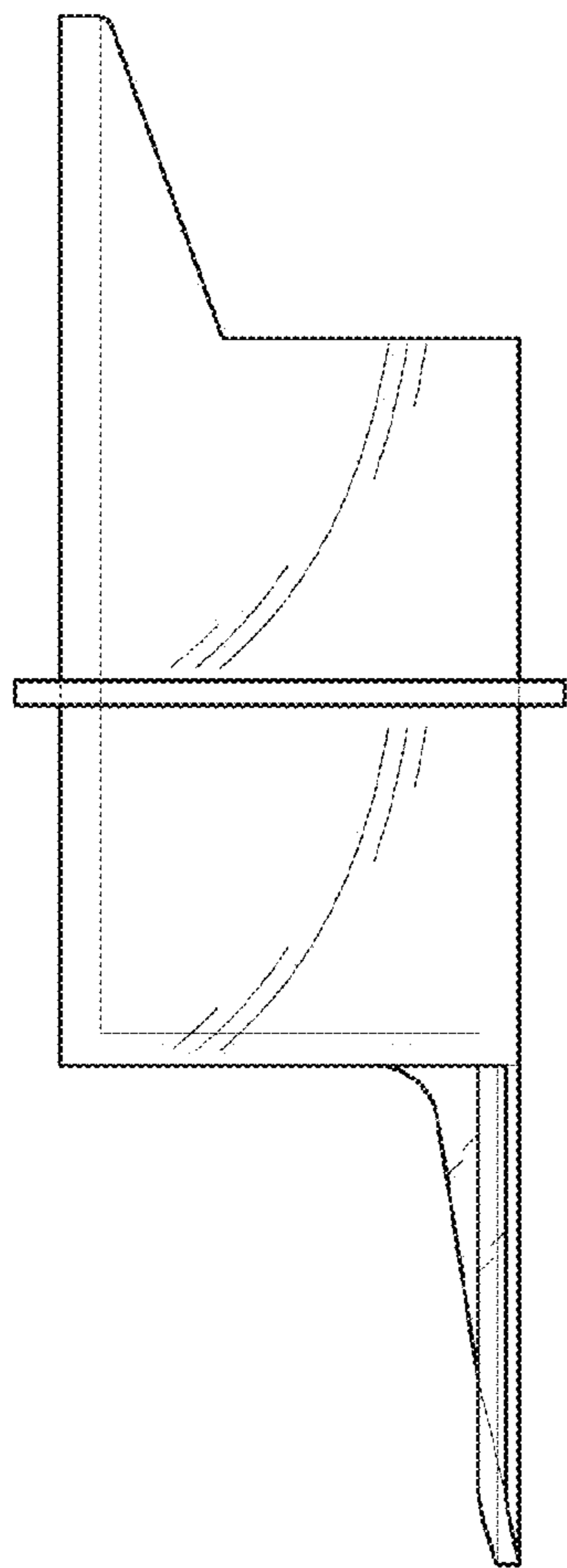


FIG. 18

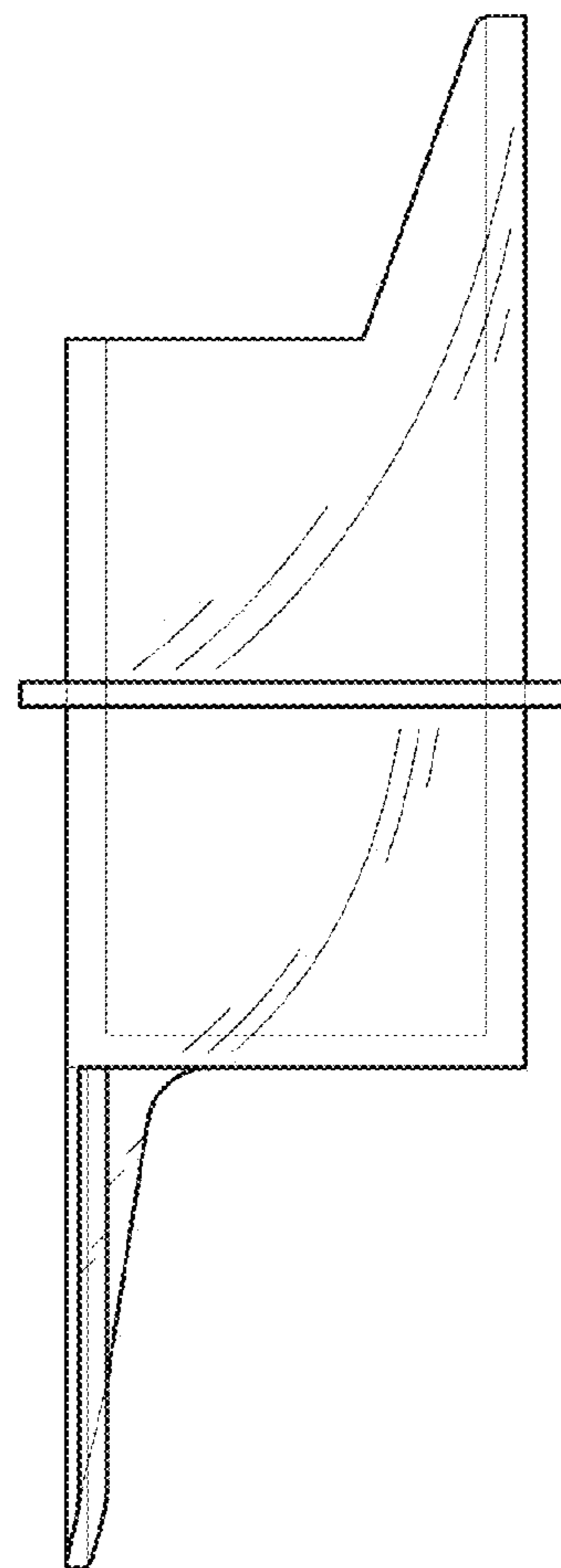


FIG. 19

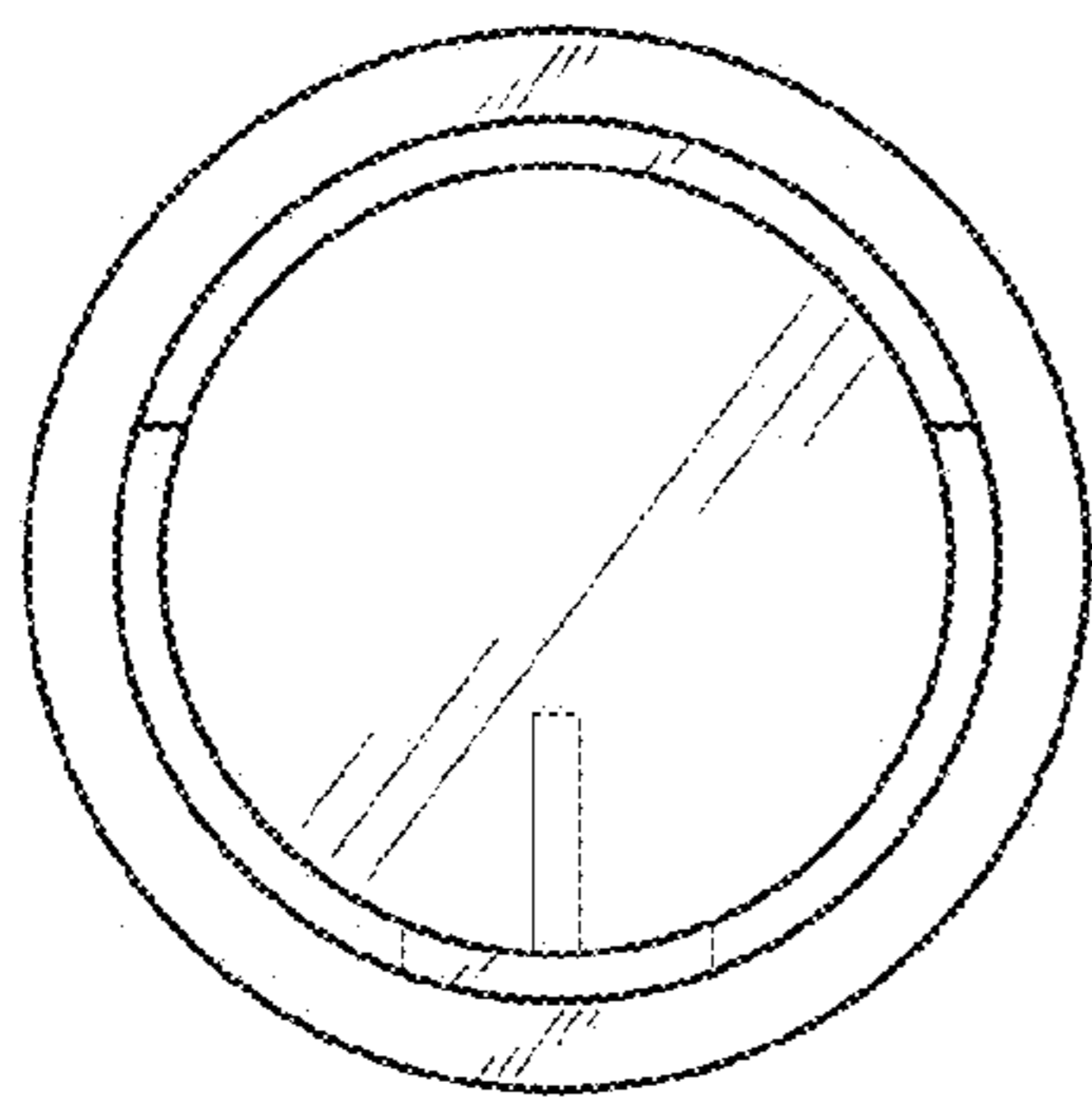


FIG. 20

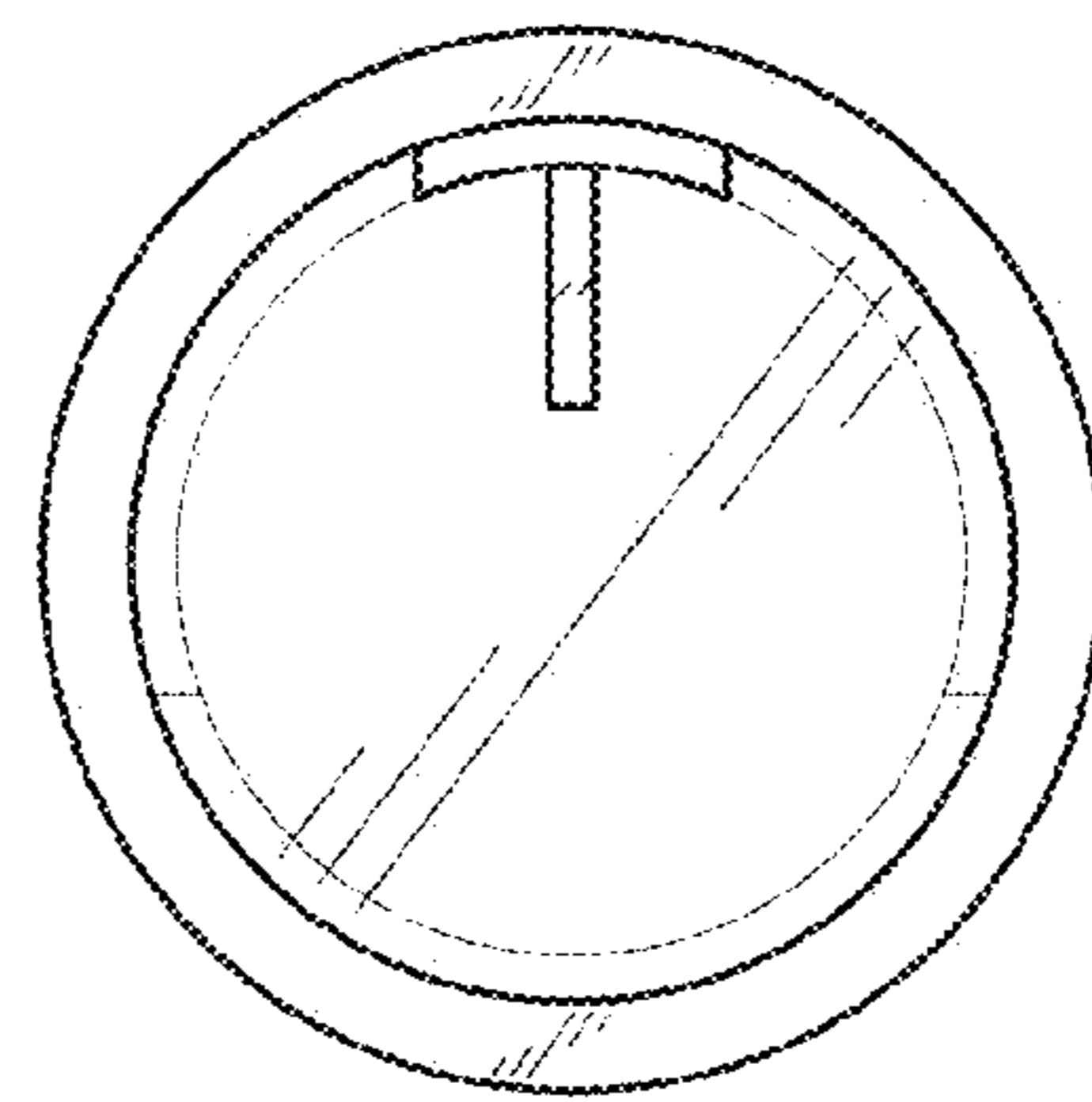


FIG. 21

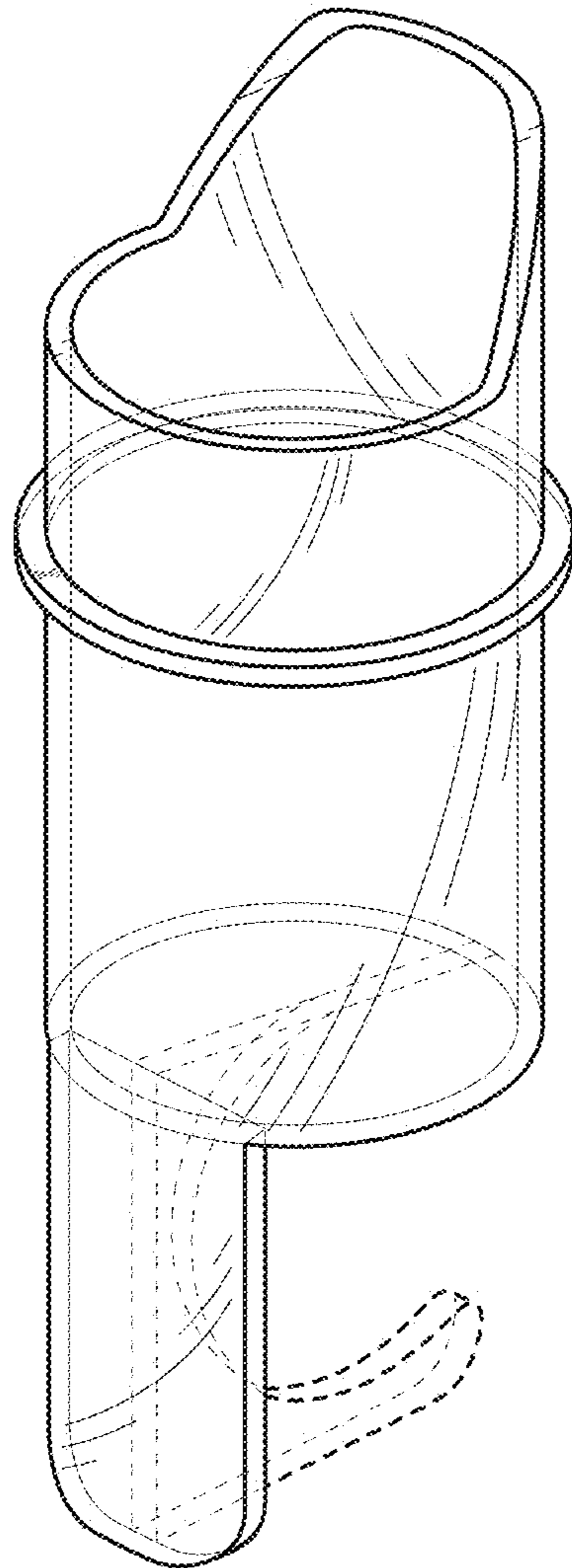


FIG. 22

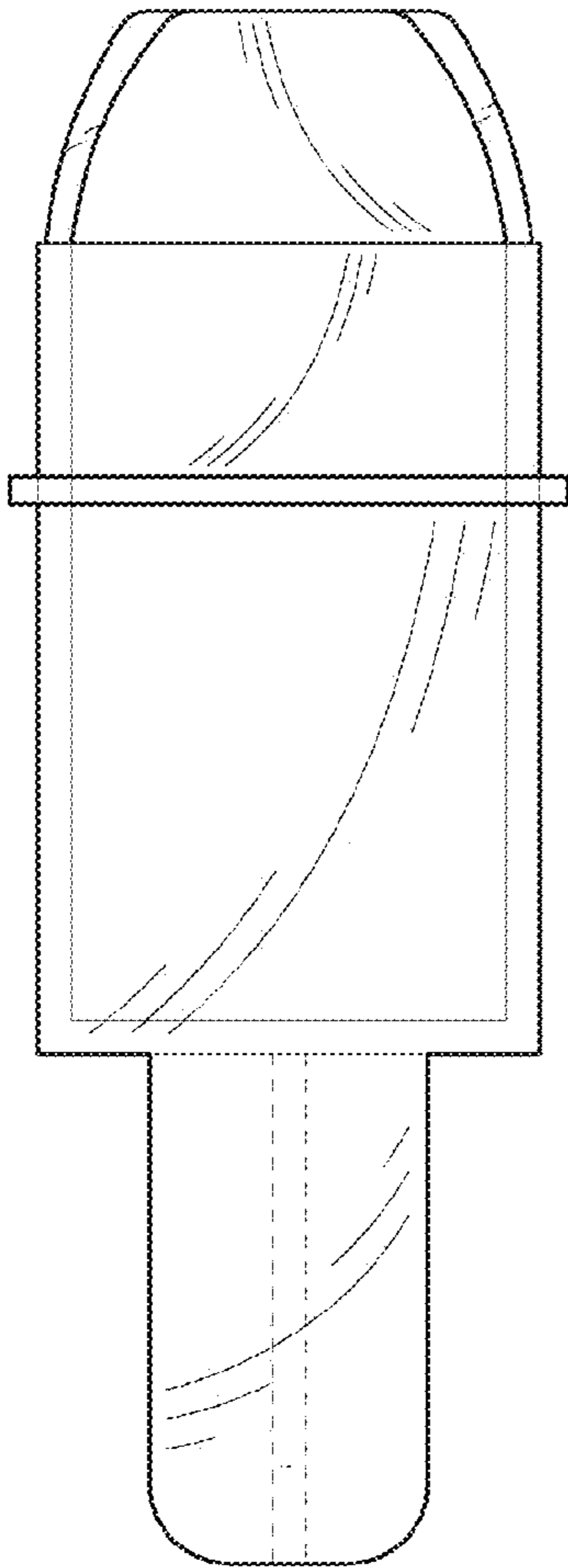


FIG. 23

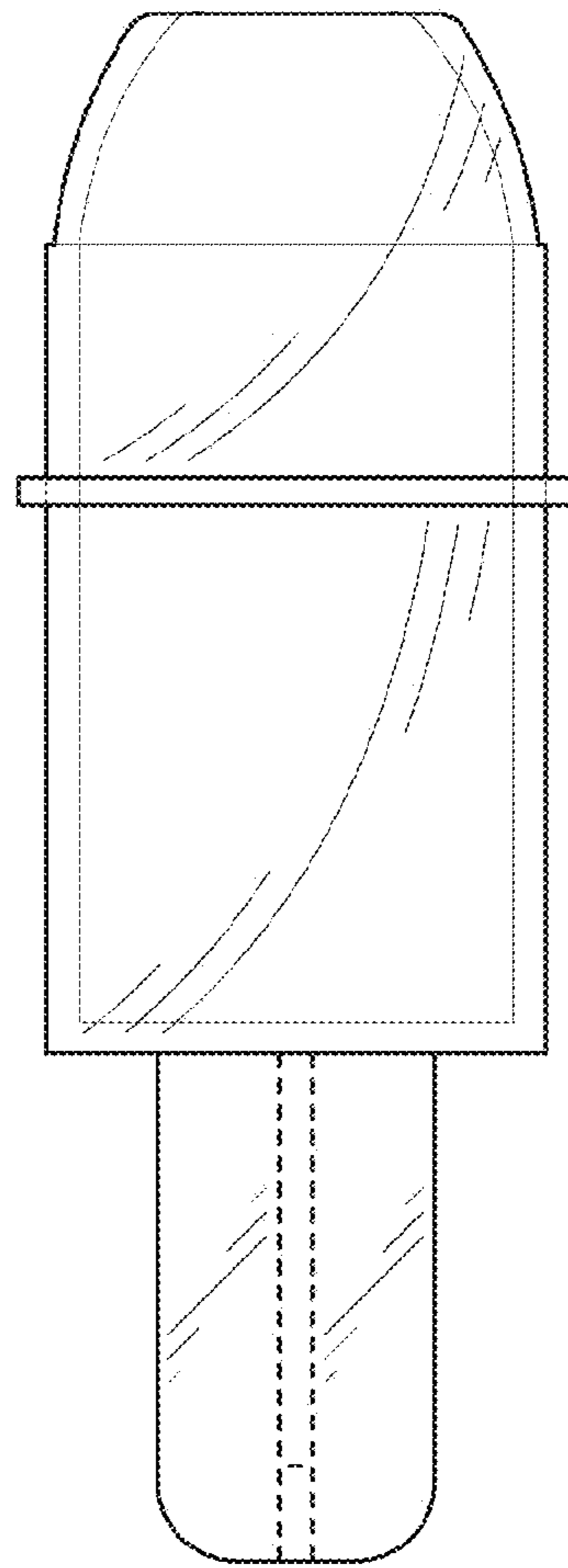


FIG. 24

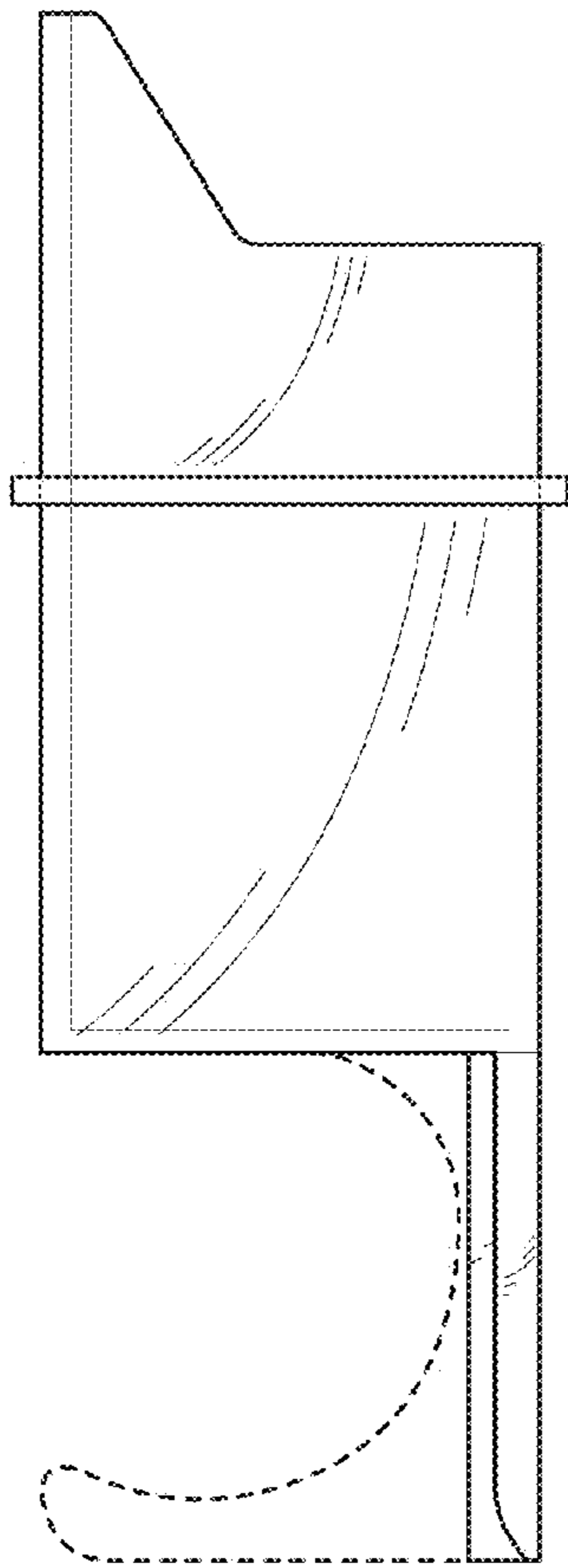


FIG. 25

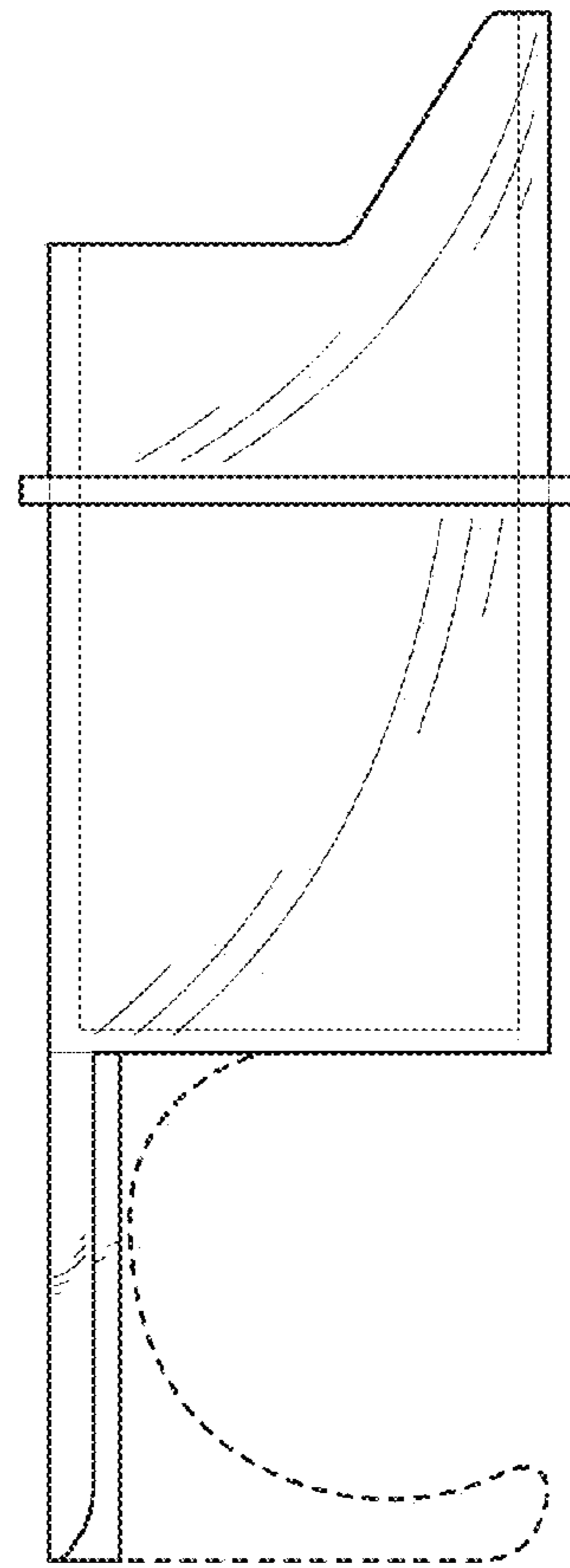


FIG. 26

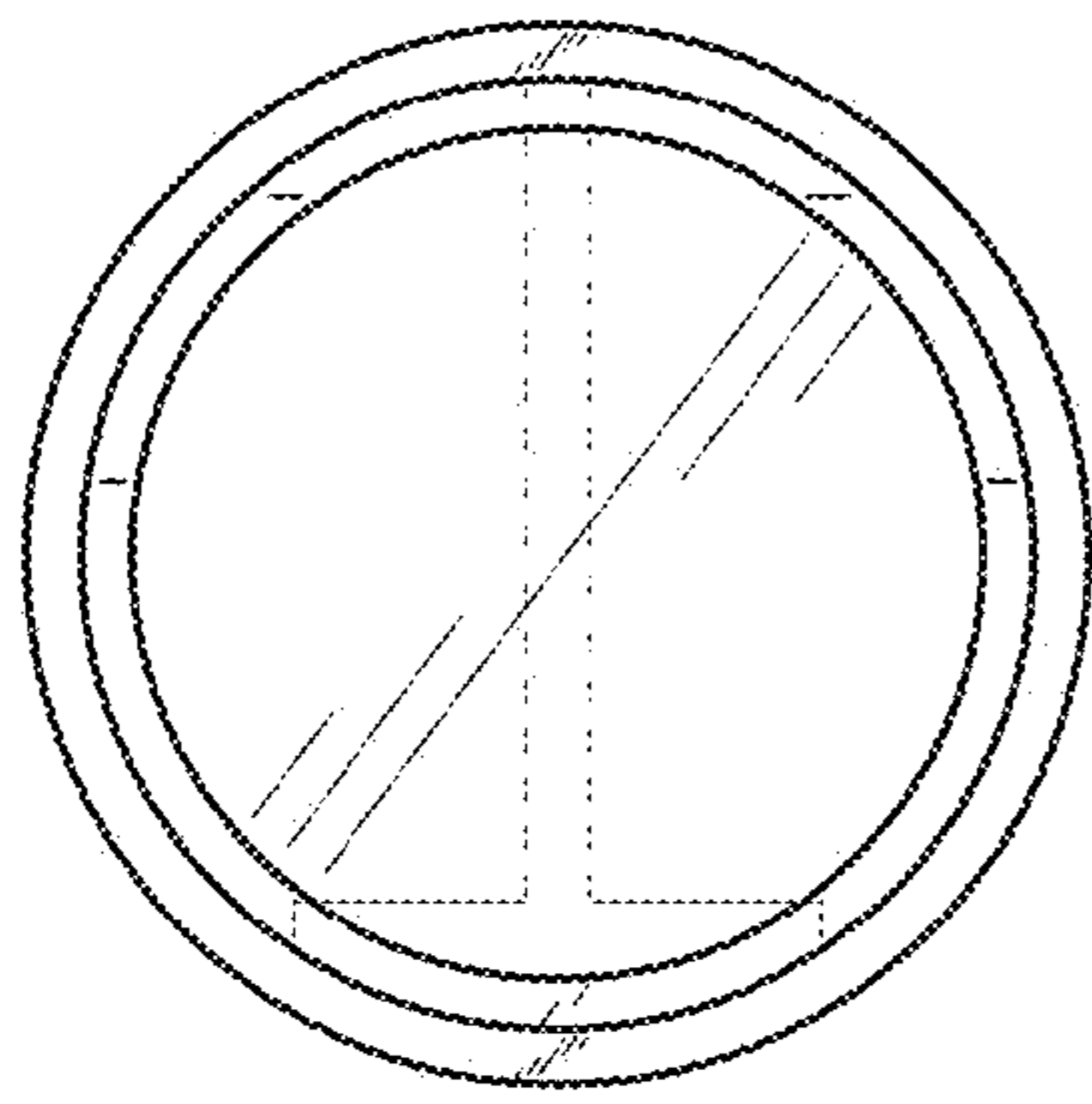


FIG. 27

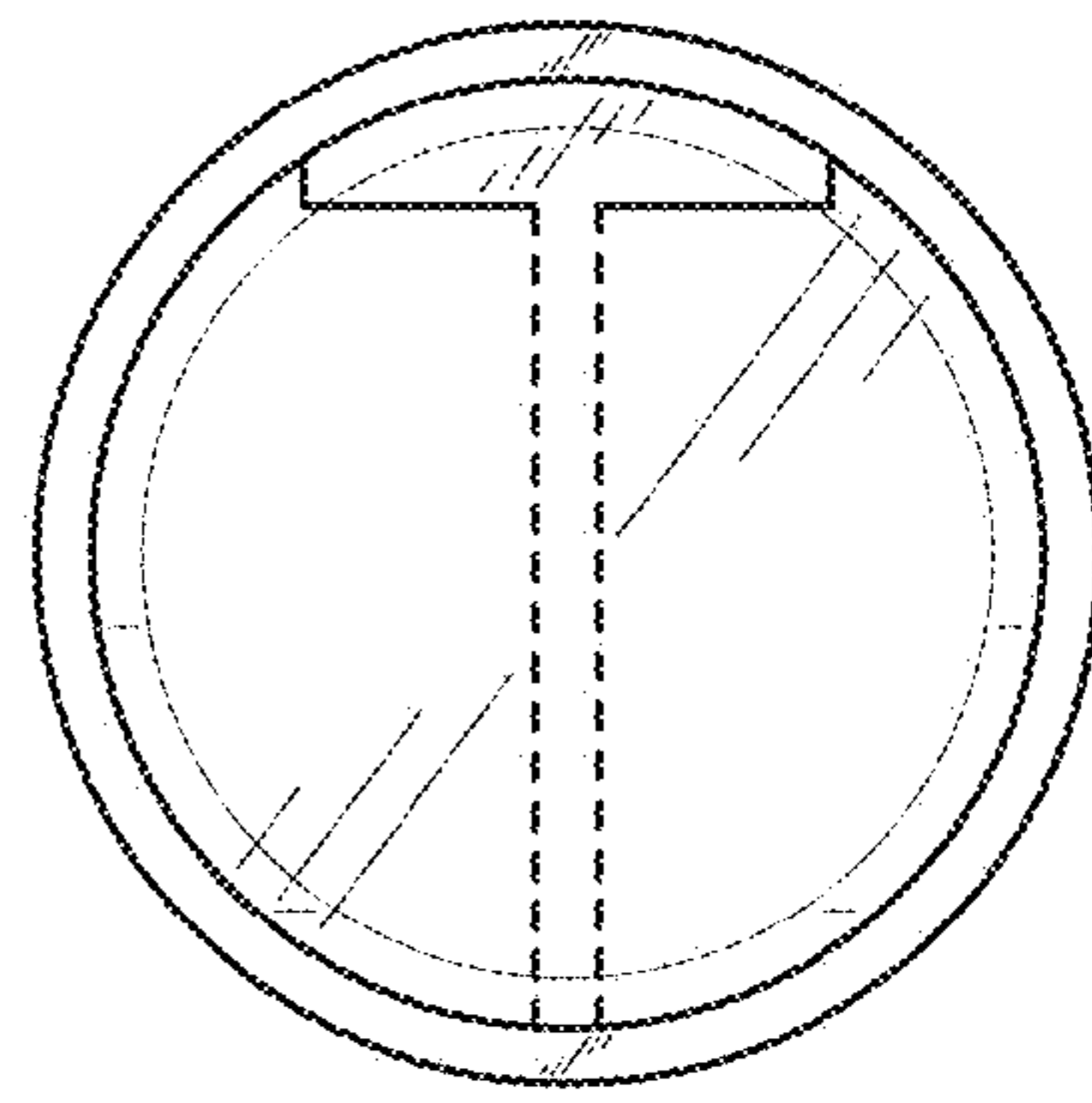


FIG. 28