



US00D758890S

(12) **United States Design Patent**
Cerrato

(10) **Patent No.:** **US D758,890 S**
(45) **Date of Patent:** **** Jun. 14, 2016**

(54) **WATCH**
(71) Applicant: **TUDOR WATCH U.S.A., LLC**, New York, NY (US)
(72) Inventor: **Davide Cerrato**, Geneva (CH)
(73) Assignee: **TUDOR WATCH U.S.A., LLC**, New York, NY (US)
(**) Term: **14 Years**
(21) Appl. No.: **29/494,299**
(22) Filed: **Jun. 19, 2014**

D135,635 S * 5/1943 Von Berg D10/32
2,456,319 A * 12/1948 Read A44C 5/14
224/166
2,513,782 A * 7/1950 Berkeley A44C 5/14
224/168
4,757,926 A * 7/1988 Leo A44C 5/00
224/173
D362,946 S * 10/1995 Polenberg D11/3
D378,901 S * 4/1997 Riley D11/3
D391,866 S * 3/1998 Brzezinski D10/30
D487,402 S * 3/2004 Dubarry D10/32
D638,312 S * 5/2011 Jacobs D10/32
D638,722 S * 5/2011 Jacobs D10/32
D728,406 S * 5/2015 Cerrato D11/3
D738,250 S * 9/2015 Cerrato D11/3

* cited by examiner

(30) **Foreign Application Priority Data**

Feb. 28, 2014 (CH) 140457

(51) **LOC (10) Cl.** **10-02**
(52) **U.S. Cl.**
USPC **D10/32; D10/30**

(58) **Field of Classification Search**
USPC D10/30-39, 1-29, 122-132; D11/3
CPC G04B 19/00; G04B 37/00; G04B 37/0008;
G04B 37/0058; G04B 37/14; G04B 37/1486;
A44C 5/00; A44C 5/0053; A44C 5/14
See application file for complete search history.

(56) **References Cited**

U.S. PATENT DOCUMENTS

1,996,276 A * 4/1935 Cowen A44C 5/0053
224/178
2,101,690 A * 12/1937 Sauer, Jr. G04B 37/005
224/171

Primary Examiner — Martie K Holtje

(74) *Attorney, Agent, or Firm* — Sughrue Mion, PLLC

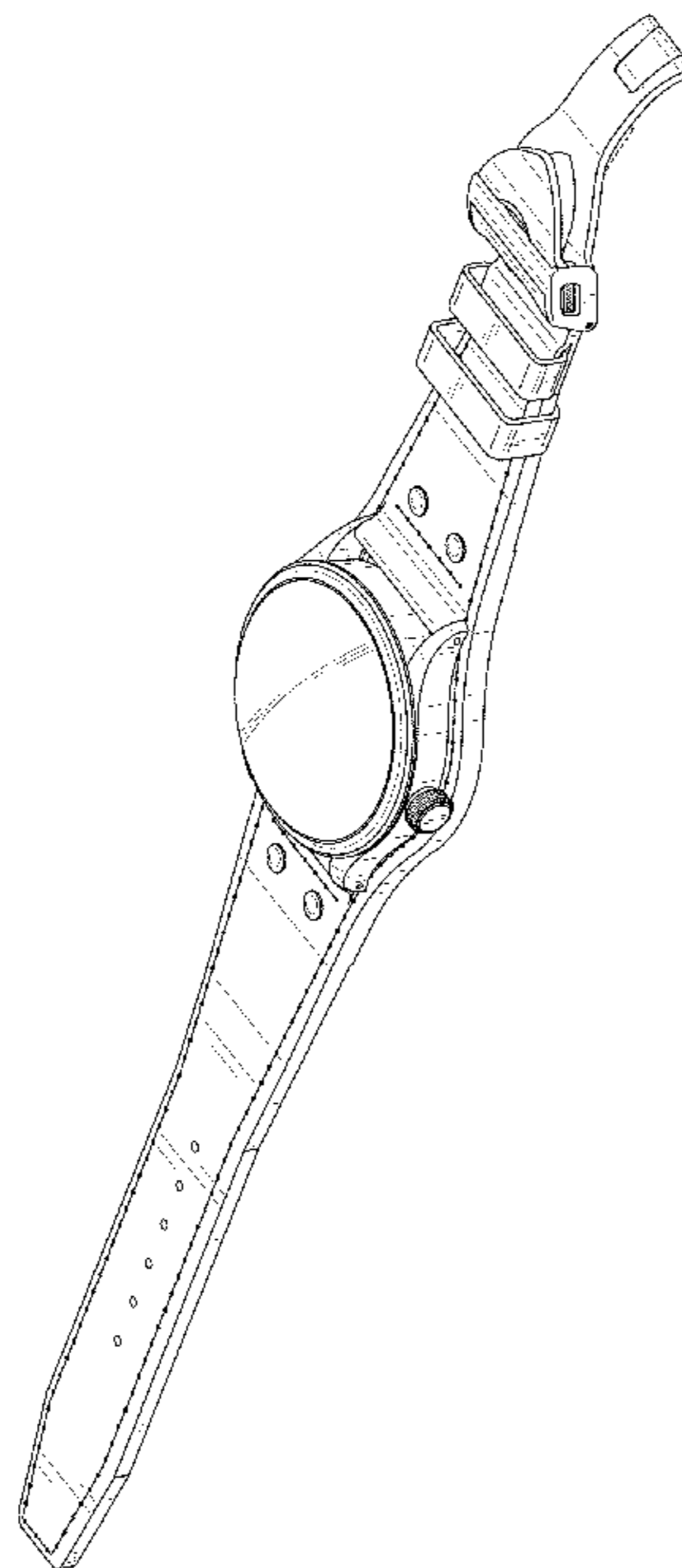
(57) **CLAIM**

The ornamental design for a watch, as shown and described.

DESCRIPTION

FIG. 1 is a perspective view of the watch showing my design;
FIG. 2 is a front view thereof;
FIG. 3 is a rear view thereof;
FIG. 4 is a right side view thereof;
FIG. 5 is a left side view thereof;
FIG. 6 is a top plan view thereof; and,
FIG. 7 is a bottom plan view thereof.
The structural features depicted by broken lines have been shown for the purpose of illustrating portions of the watch that form no part of the claimed design.

1 Claim, 4 Drawing Sheets



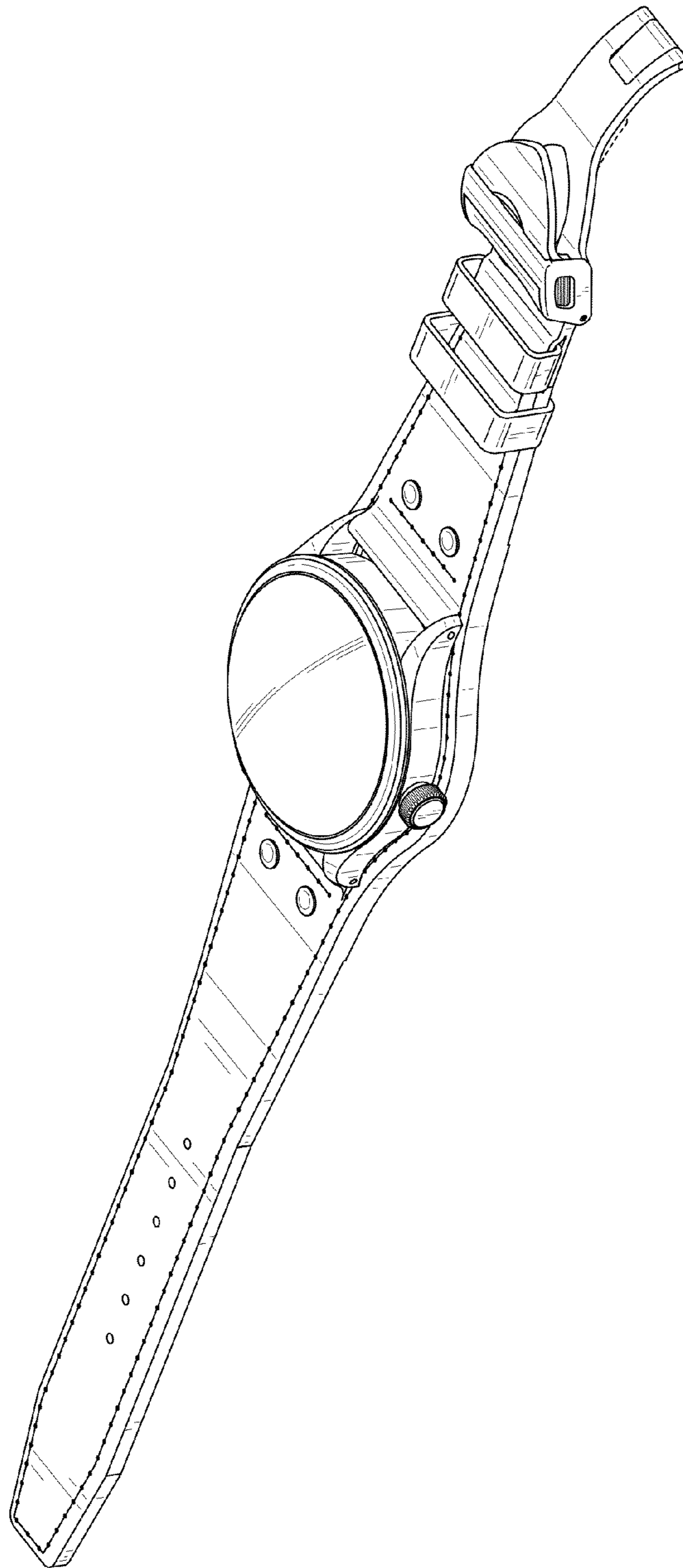


FIG. 1

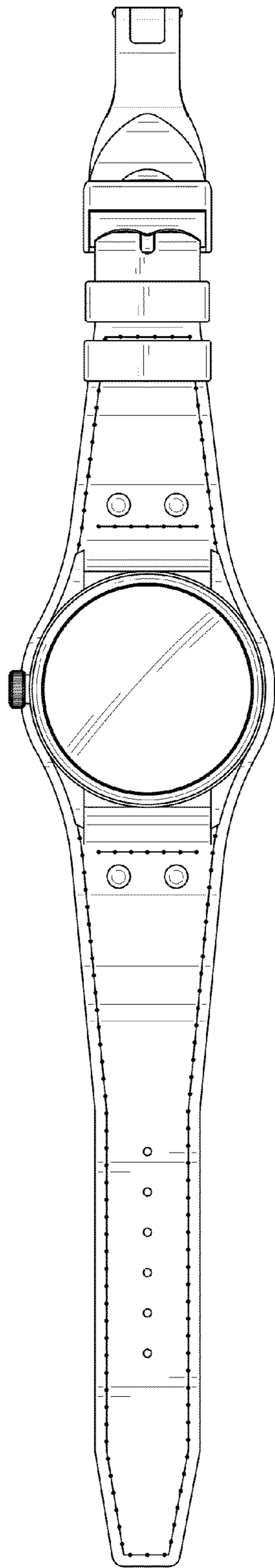


FIG. 2

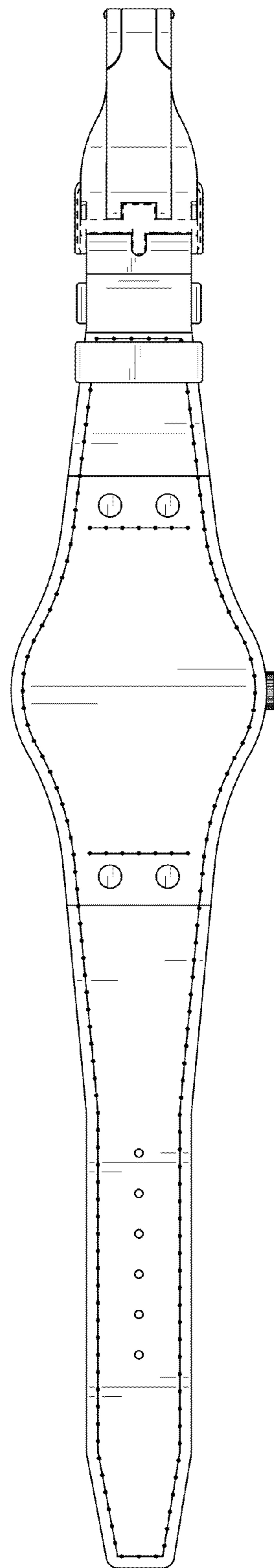


FIG. 3

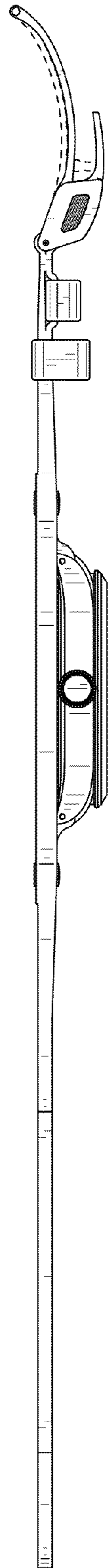


FIG. 4

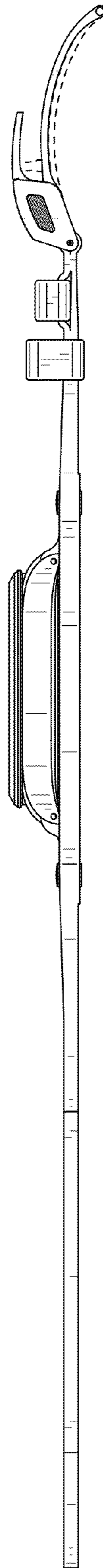


FIG. 5

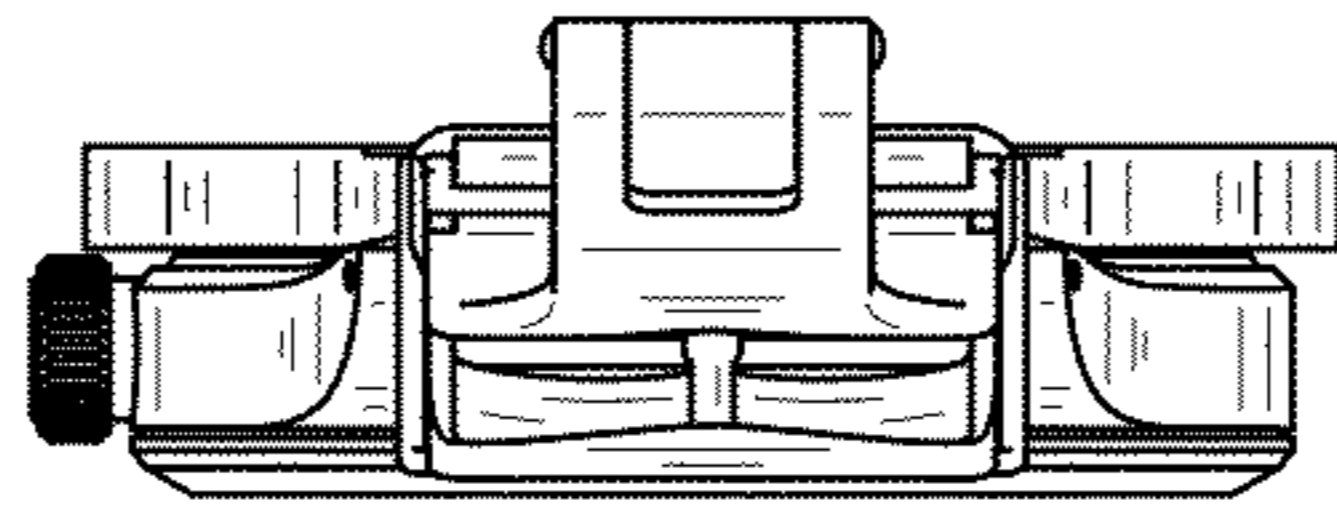


FIG. 6

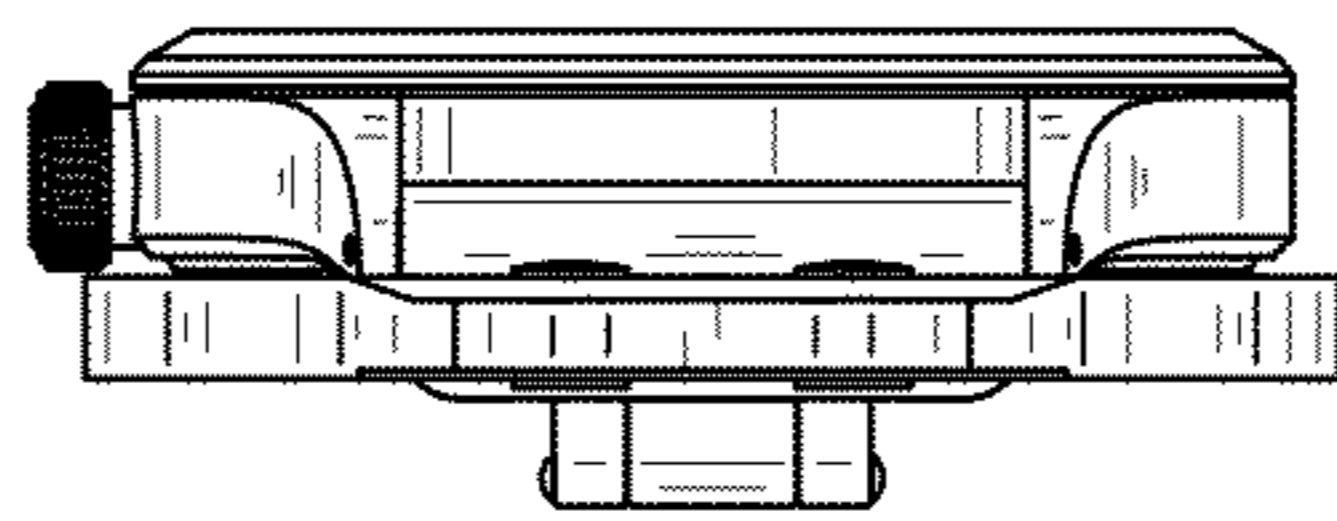


FIG. 7