

US00D75888S

(12) **United States Design Patent**
Gu et al.

(10) **Patent No.:** **US D758,888 S**
(45) **Date of Patent:** **** Jun. 14, 2016**

- (54) **TIMEPIECE**
- (71) Applicant: **Eone Timepieces, Inc.**, Washington, DC (US)
- (72) Inventors: **Lik Hang Gu**, Kwai Chung (CN); **Hyungsoo Kim**, Washington, DC (US)
- (73) Assignee: **Eone Timepieces, Inc.**, Washington, DC (US)
- (**) Term: **15 Years**
- (21) Appl. No.: **29/554,223**
- (22) Filed: **Feb. 9, 2016**

D285,779 S *	9/1986	Maron	D10/30
D285,908 S *	9/1986	Maron	D10/30
D314,153 S	1/1991	Ratajski		
D316,974 S *	5/1991	Fong	D10/32
D317,413 S	6/1991	Veronesi		
D332,055 S	12/1992	Gander		
5,305,291 A	4/1994	Kamens et al.		
5,319,615 A *	6/1994	Ng	G04B 47/046 368/276
D360,593 S *	7/1995	McLaughlin	D10/126
5,742,565 A	4/1998	Cuinet et al.		
D449,231 S *	10/2001	Giardiello	D10/128
6,379,037 B1	4/2002	Saleh et al.		
D509,759 S *	9/2005	Scheufele	D10/39
D510,038 S *	9/2005	Scheufele	D10/39
D560,513 S *	1/2008	Glassman	D10/39
7,321,528 B2 *	1/2008	Wiederrecht	G04B 19/042 368/220

(Continued)

Related U.S. Application Data

- (62) Division of application No. 29/462,531, filed on Aug. 5, 2013.
- (51) **LOC (10) Cl.** **10-02**
- (52) **U.S. Cl.**
USPC **D10/30; D10/38; D10/126**
- (58) **Field of Classification Search**
USPC **D10/30-39, 1-29, 122-132**
CPC **G04B 19/00; G04B 19/04; G04B 19/042; G04B 19/06; G04B 119/08; G04B 19/10; G04B 19/305; G04B 37/00; G04B 37/0008; G04B 37/0058; G04B 45/00; G04B 45/0069; G04B 47/00; G04B 47/04; G04B 47/046**
See application file for complete search history.

Primary Examiner — Martie K Holtje

(74) *Attorney, Agent, or Firm* — Wolf, Greenfield & Sacks, P.C.

(57) **CLAIM**

The ornamental design for a timepiece, as shown and described.

DESCRIPTION

FIG. 1 is a top, front, right side perspective view of a timepiece showing the new design;
 FIG. 2 is a front elevational view thereof;
 FIG. 3 is a rear elevational view thereof;
 FIG. 4 is a left side elevational view thereof;
 FIG. 5 is a right side elevational view thereof;
 FIG. 6 is a top plan view thereof; and,
 FIG. 7 is a bottom plan view thereof.

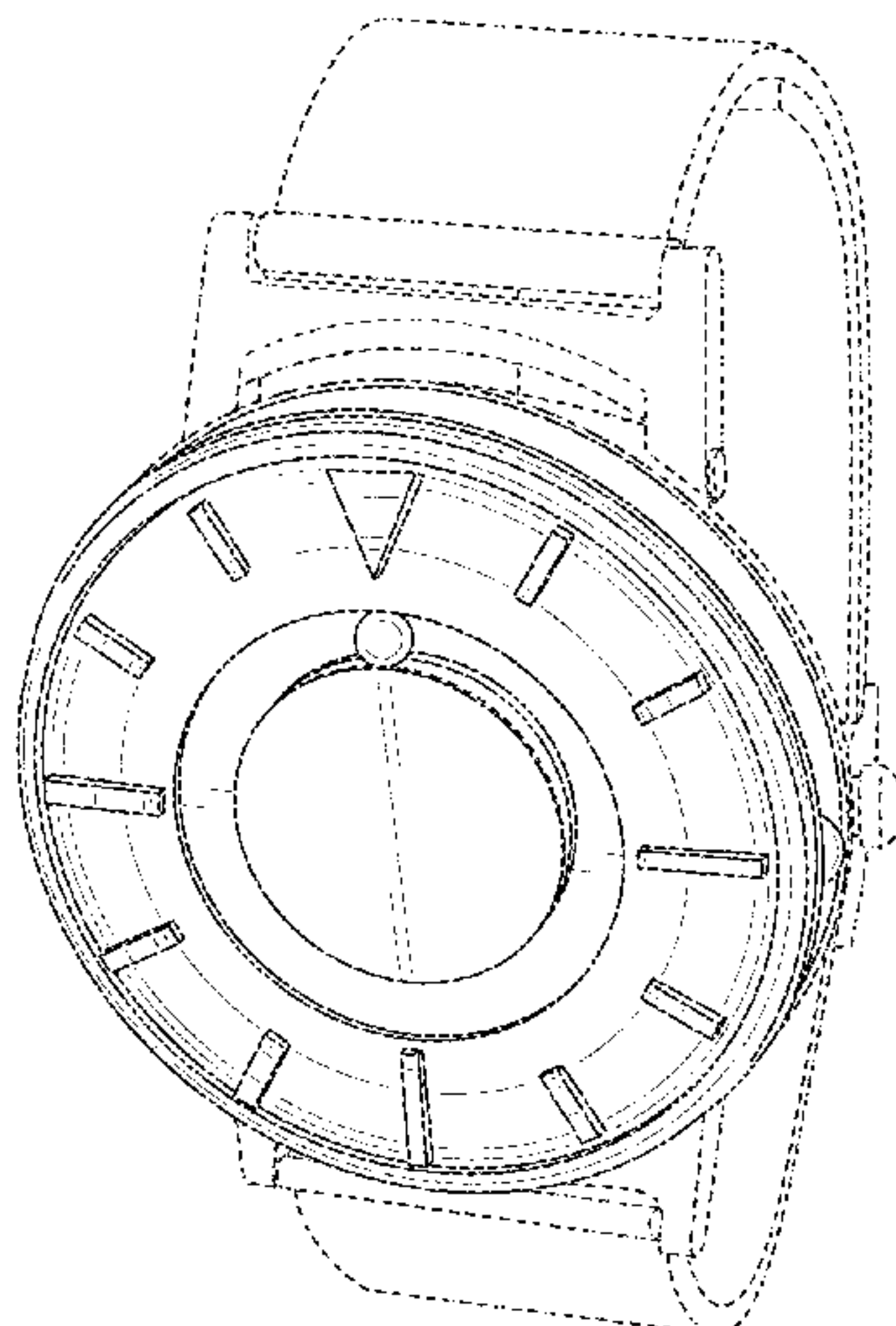
The structural features depicted by broken lines in the drawings have been shown for the purpose of illustrating portions of the timepiece that form no part of the claimed design.
 The dash-dot-dash broken lines in FIGS. 1, and 4 through 7 represent an unclaimed boundary between claimed and unclaimed subject matter.

(56) **References Cited**

U.S. PATENT DOCUMENTS

D25,398 S *	4/1896	Depollier	D10/37
D52,456 S *	9/1918	McGrevy	D10/37
D126,622 S *	4/1941	Didisheim	368/232
D205,147 S *	6/1966	Trudeau	D10/33
D262,692 S *	1/1982	Kurowsky	D10/39
4,473,304 A	9/1984	Ketner		
4,525,077 A	6/1985	Ketner		

1 Claim, 7 Drawing Sheets



US D758,888 S

Page 2

(56)

References Cited

D646,183 S * 10/2011 De Witt D10/38
D677,177 S * 3/2013 Nashimoto D10/39

U.S. PATENT DOCUMENTS

D631,763 S 2/2011 Vollet
7,903,503 B2 * 3/2011 Olmes G04B 19/305
116/286 * cited by examiner

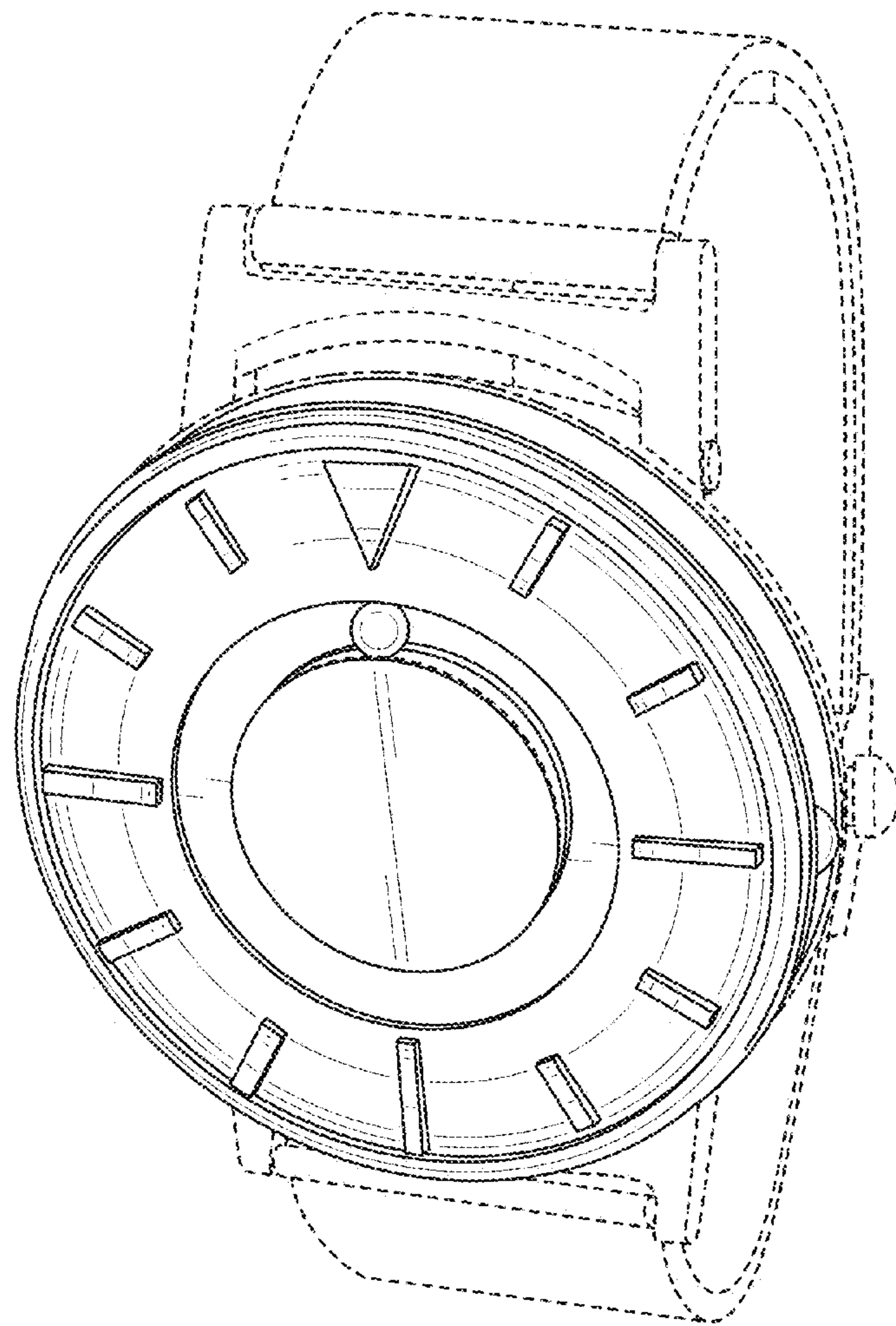


FIG. 1

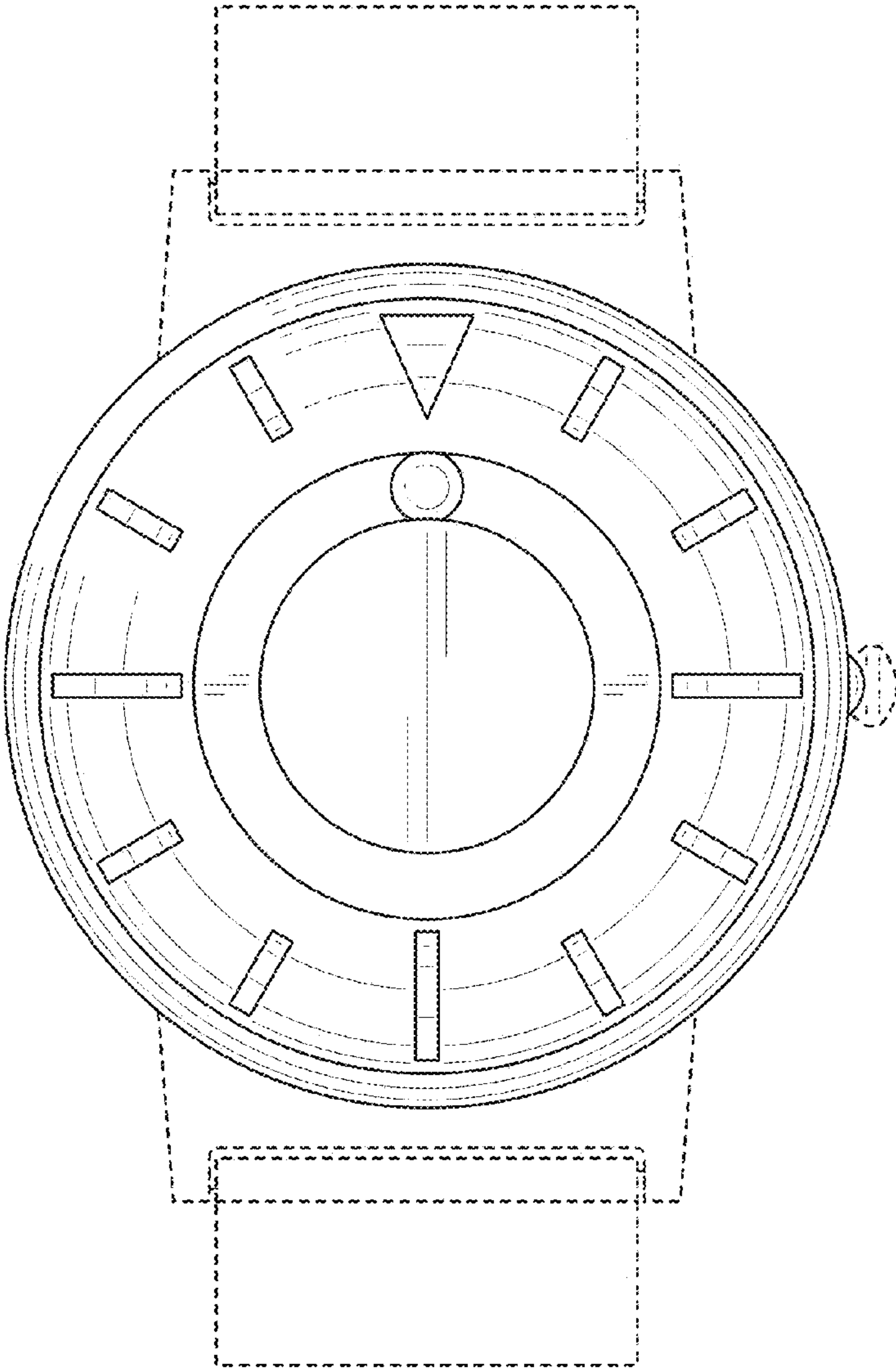


FIG. 2

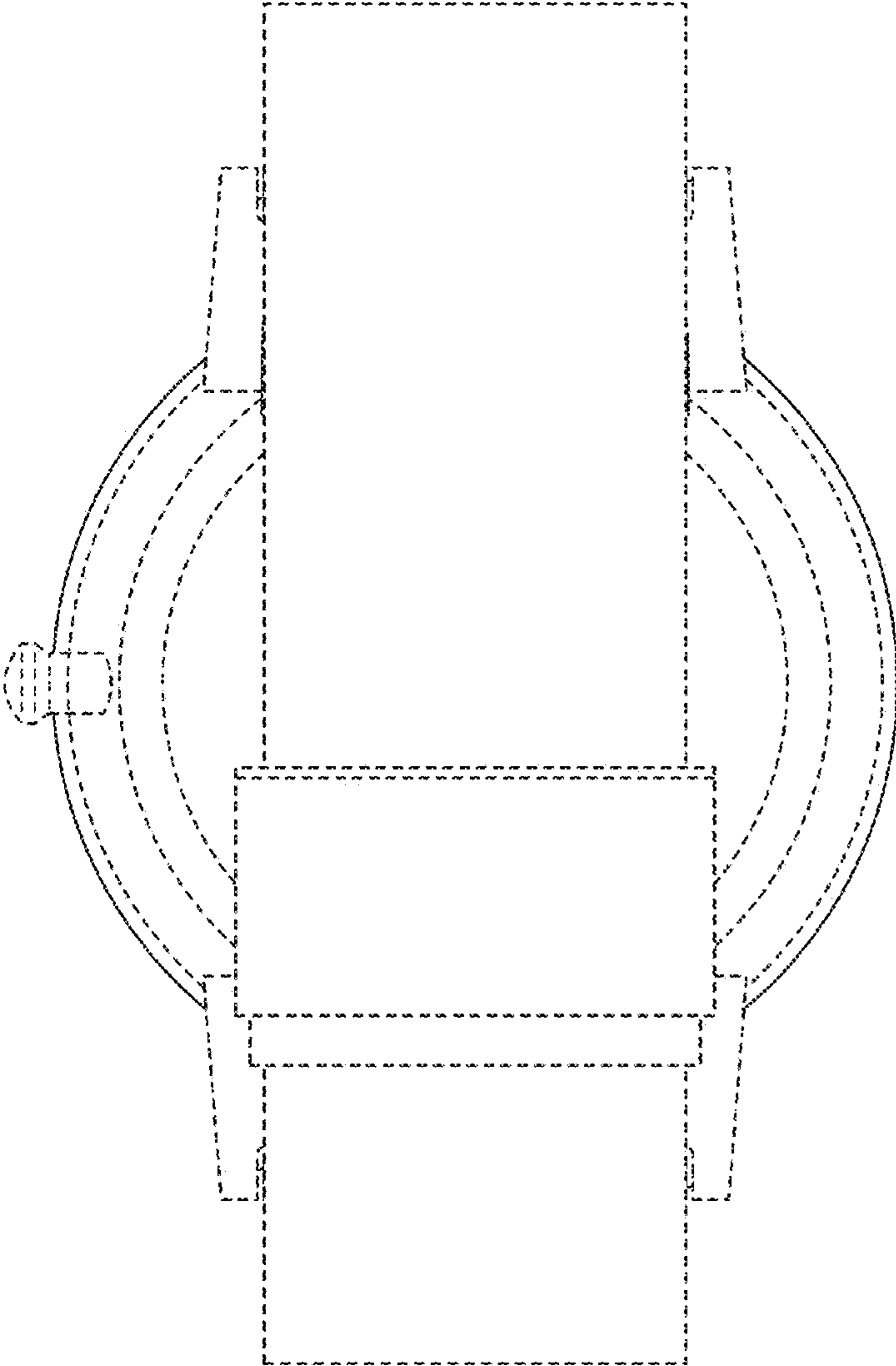


FIG. 3

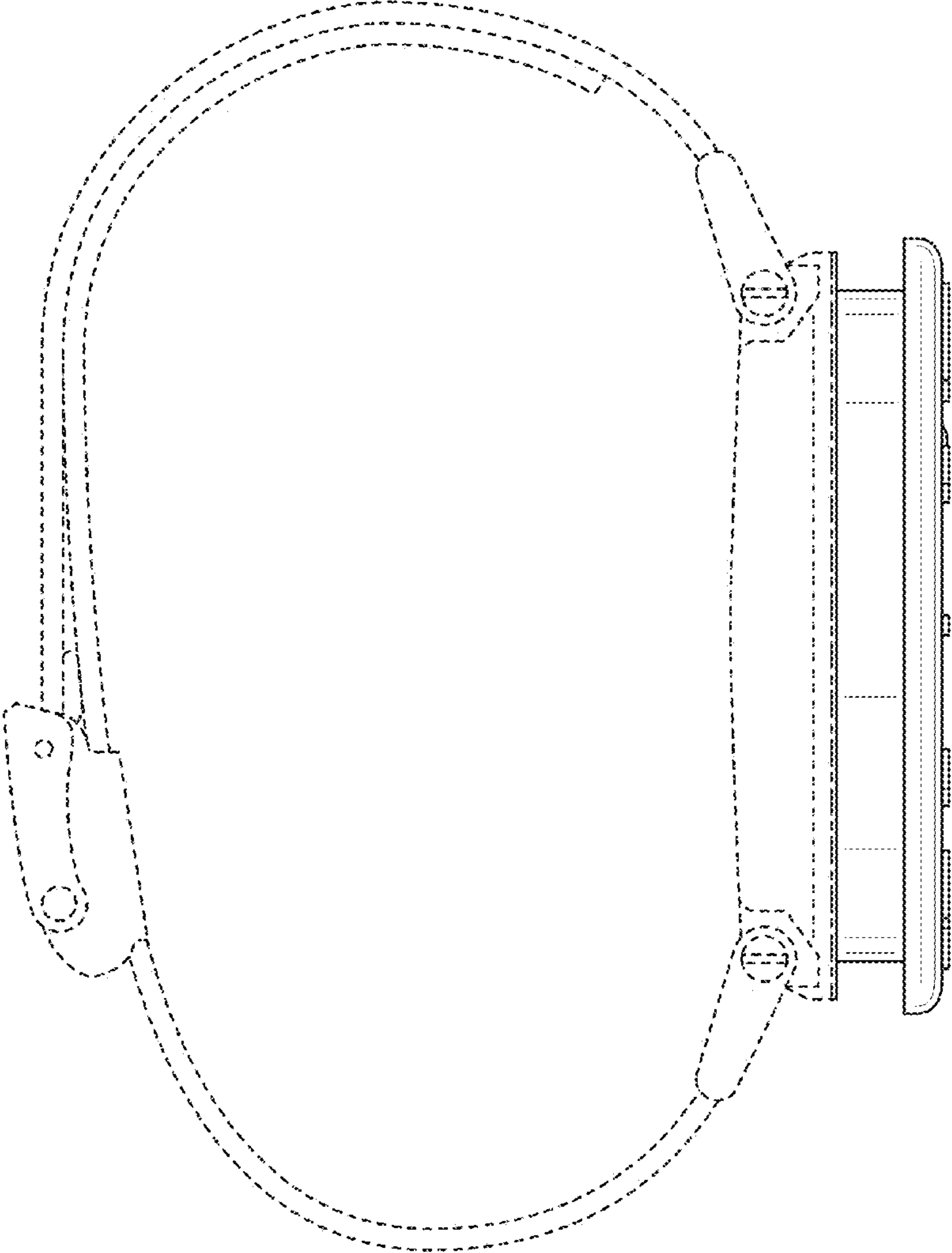


FIG. 4

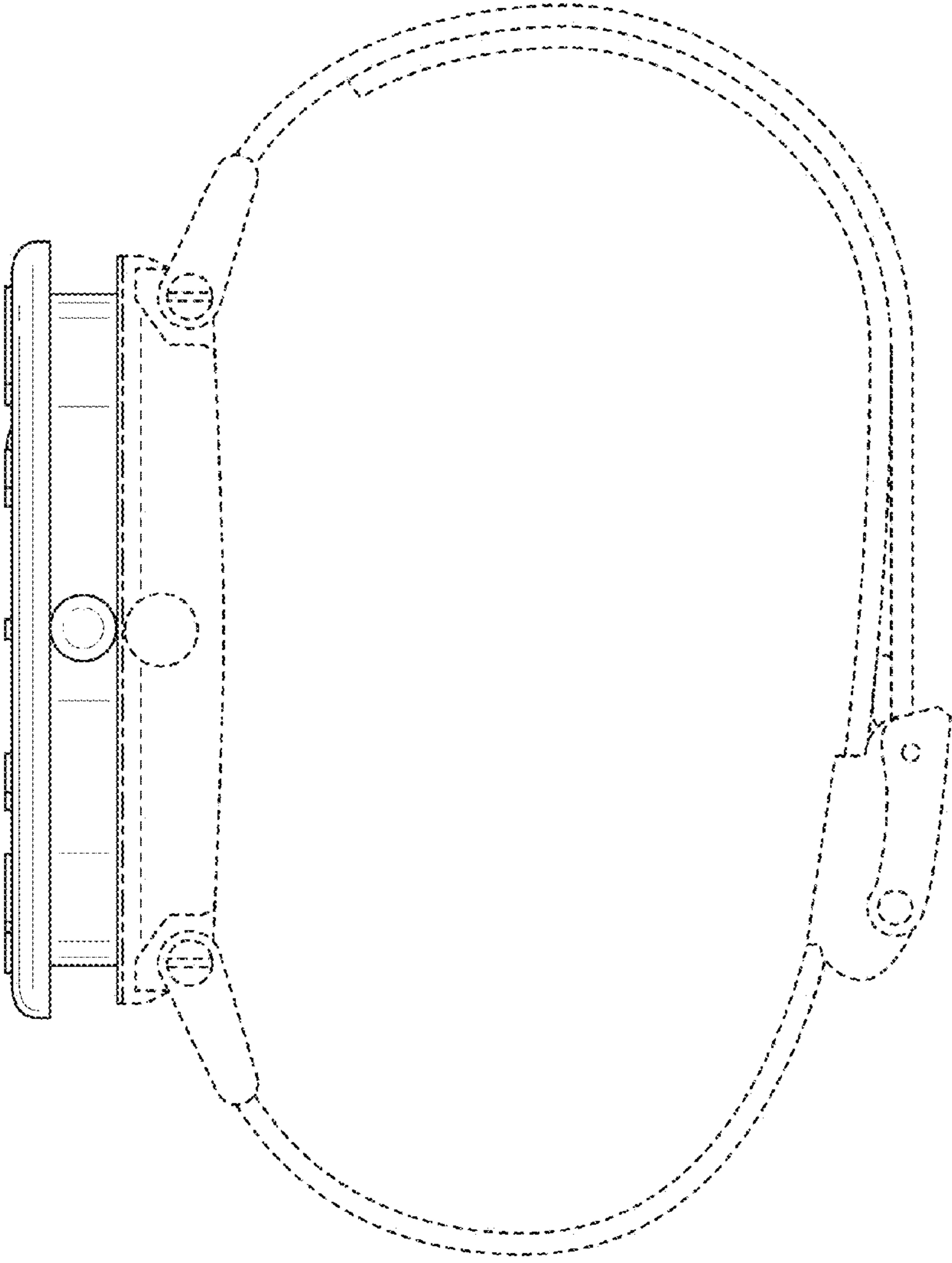


FIG. 5

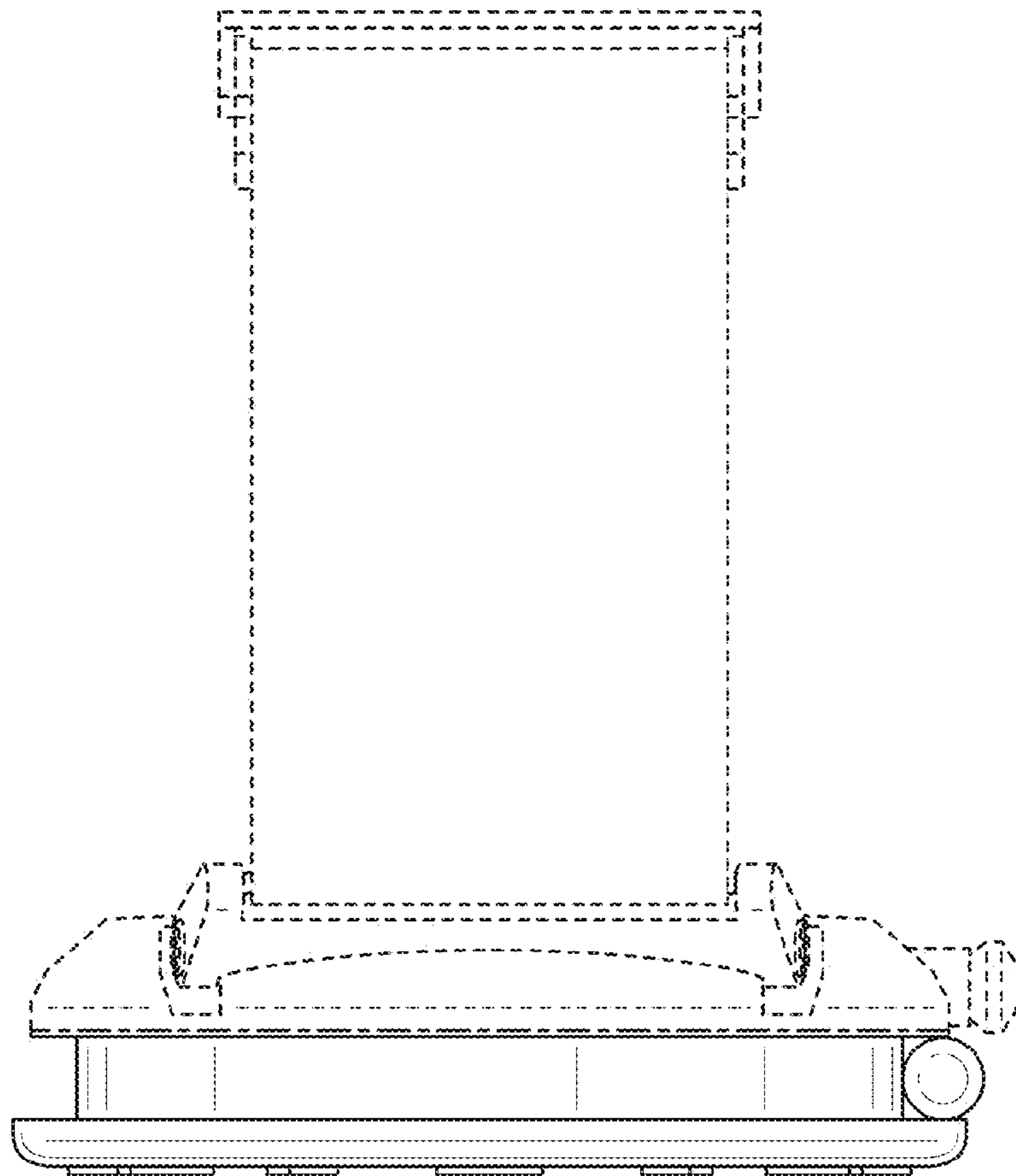


FIG. 6

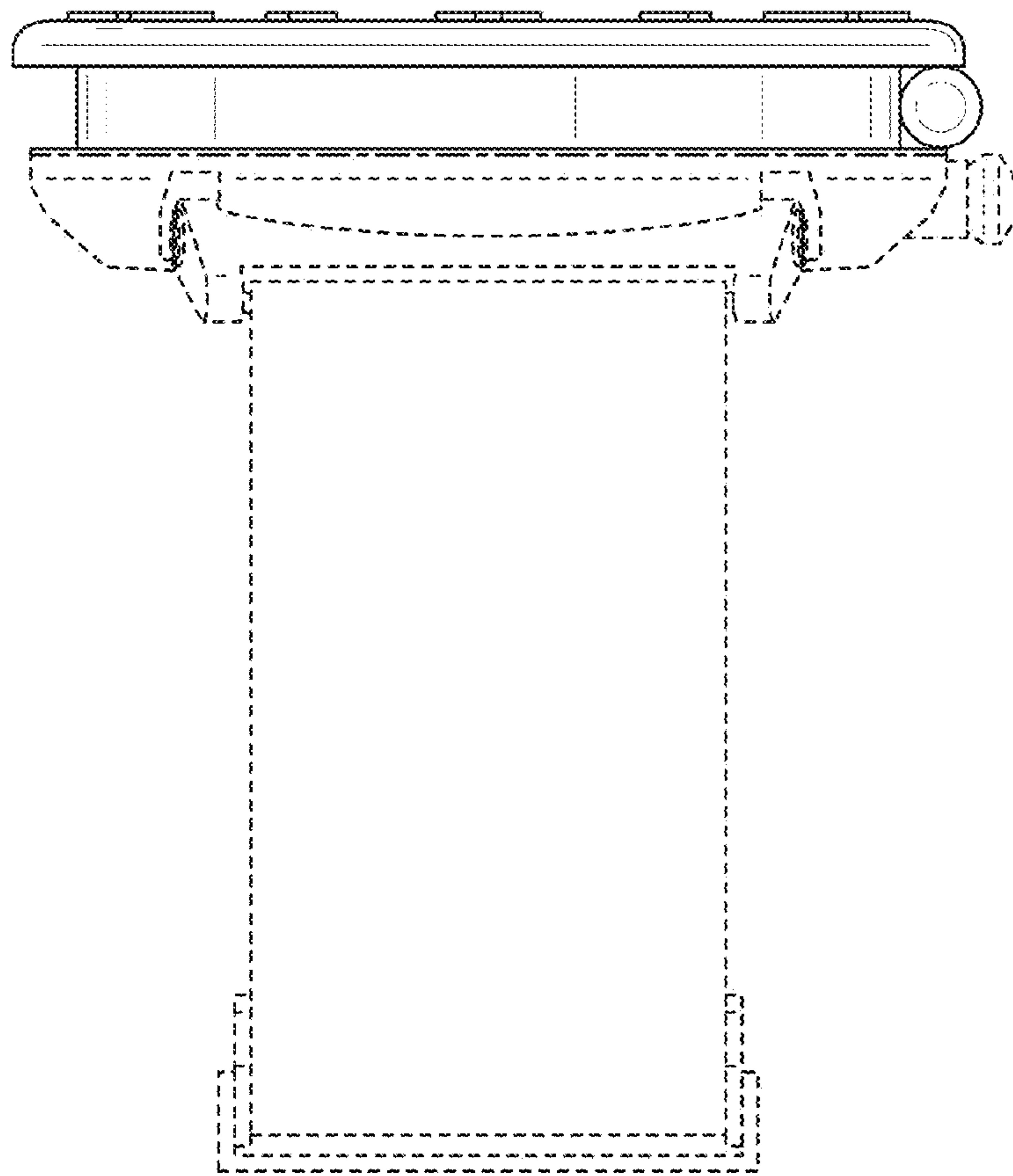


FIG. 7