



US00D758884S

(12) **United States Design Patent**
Butler

(10) **Patent No.:** **US D758,884 S**
(45) **Date of Patent:** **** Jun. 14, 2016**

(54) **PROPHY PASTE CUP**

(71) Applicant: **Young Innovations, Inc.**, Earth City,
MO (US)

(72) Inventor: **Nathan Butler**, Earth City, MO (US)

(73) Assignee: **Young Innovations, Inc.**, Earth City,
MO (US)

(**) Term: **14 Years**

(21) Appl. No.: **29/524,640**

(22) Filed: **Apr. 22, 2015**

(51) **LOC (10) Cl.** **09-03**

(52) **U.S. Cl.**
USPC **D9/756**

(58) **Field of Classification Search**
USPC D9/756, 715-717, 737, 414, 416, 424,
D9/425, 430-432; D7/354, 392.1, 394,
D7/396.1, 538, 543-545, 550.1, 551,
D7/554.3, 587, 566, 575, 584, 619, 629,
D7/667, 318, 319, 619.1, 553.6-553.7,
D7/554.2; D24/105, 176-180, 227;
D6/530; 224/217; 206/63.5, 553, 557,
206/541, 775, 776, 119, 470, 508, 521.1,
206/545, 806, 217, 820; 220/608, 780-806,
220/475, 674, 675, 4.21-4.24, 555, 556,
220/810, 836, 837, 841, 366.1, 367;
366/602; 433/49, 163, 91, 50, 77, 79,
433/166, 125; 426/106
CPC .. A61C 17/005; A61C 19/006; B65D 43/162;
B65D 81/3453

See application file for complete search history.

(56) **References Cited**

U.S. PATENT DOCUMENTS

D176,252 S * 12/1955 Duncan D7/555
D252,913 S * 9/1979 Barcliff D7/542
5,048,731 A * 9/1991 Moreschini A61C 19/006

220/270
D351,997 S * 11/1994 Finnah D9/425
D393,798 S * 4/1998 Joswick D9/425
D456,707 S * 5/2002 Agarwal D9/717
D485,942 S * 1/2004 McLeish D28/8.1
D505,335 S * 5/2005 Grenda D9/737
D529,820 S * 10/2006 Kissner D9/737
D529,821 S * 10/2006 Wilcox D7/602
D587,971 S * 3/2009 Peabody D7/500
D595,154 S * 6/2009 Nicholson D9/425
D610,407 S * 2/2010 Rauckman D7/553.1
D669,368 S * 10/2012 Ehrmann D9/424
8,302,528 B2 * 11/2012 Pawlick B65D 81/3453
219/725

(Continued)

OTHER PUBLICATIONS

Young SmartSelect Selective Polishing Paste (YouTube), available
Jan. 4, 2016, [online], [site visited Feb. 8, 2016]. Video available from
internet, <URL: [https://www.youtube.com/
watch?v=AFdaRj8ru78#t=13](https://www.youtube.com/watch?v=AFdaRj8ru78#t=13).*

(Continued)

Primary Examiner — Cathron Brooks

Assistant Examiner — Teddy Falloway

(74) *Attorney, Agent, or Firm* — Clark Hill PLC

(57) **CLAIM**

The ornamental design for a prophy paste cup, as shown and
described.

DESCRIPTION

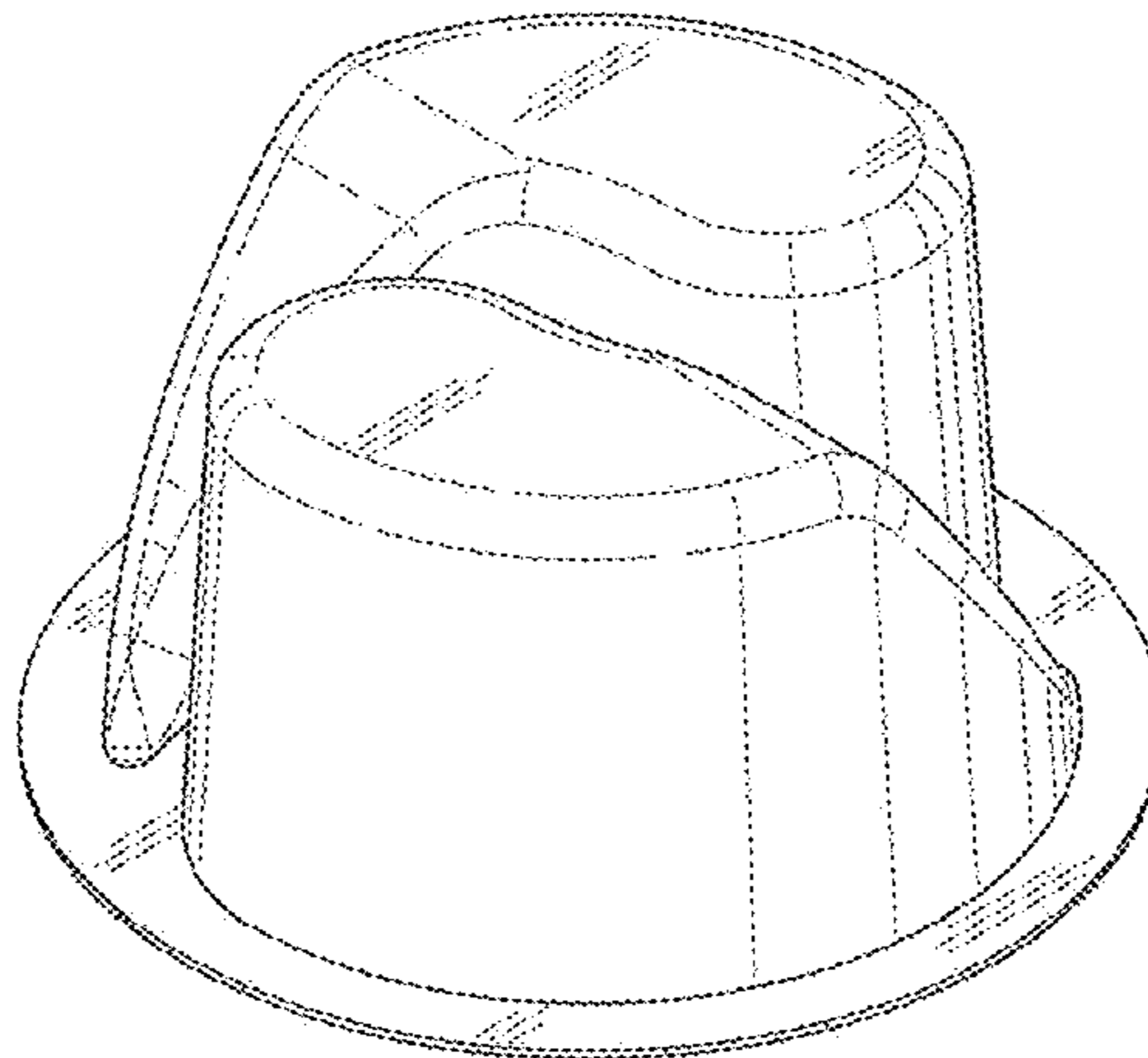
FIG. 1 is a perspective view of the bottom of the prophy paste
cup.

FIG. 2 is an elevation view of the prophy paste cup of FIG. 1.
FIG. 3 is another elevation view of the prophy paste cup of
FIG. 1.

FIG. 4 is a bottom plan view of the prophy paste cup of FIG.
1; and,

FIG. 5 is a top plan view of the prophy paste cup of FIG. 1.

1 Claim, 3 Drawing Sheets



(56)

References Cited

U.S. PATENT DOCUMENTS

D693,179 S * 11/2013 Vujea D7/555
D702,548 S * 4/2014 Flury D9/425
D718,092 S * 11/2014 Lion D7/555
8,883,242 B1 * 11/2014 Fischell A47G 19/02
220/575
D734,097 S * 7/2015 Vue D7/553.1
D740,135 S * 10/2015 McSweeney D9/426
D741,201 S * 10/2015 McSweeney D9/756

OTHER PUBLICATIONS

The First Years Sectioned Bowl, available Mar. 3, 2011, [online], [site visited Feb. 8, 2016]. Available from internet, <URL: <http://www.amazon.com/The-First-Years-Infant-Sectioned/dp/B002D466ZY>>.*

* cited by examiner

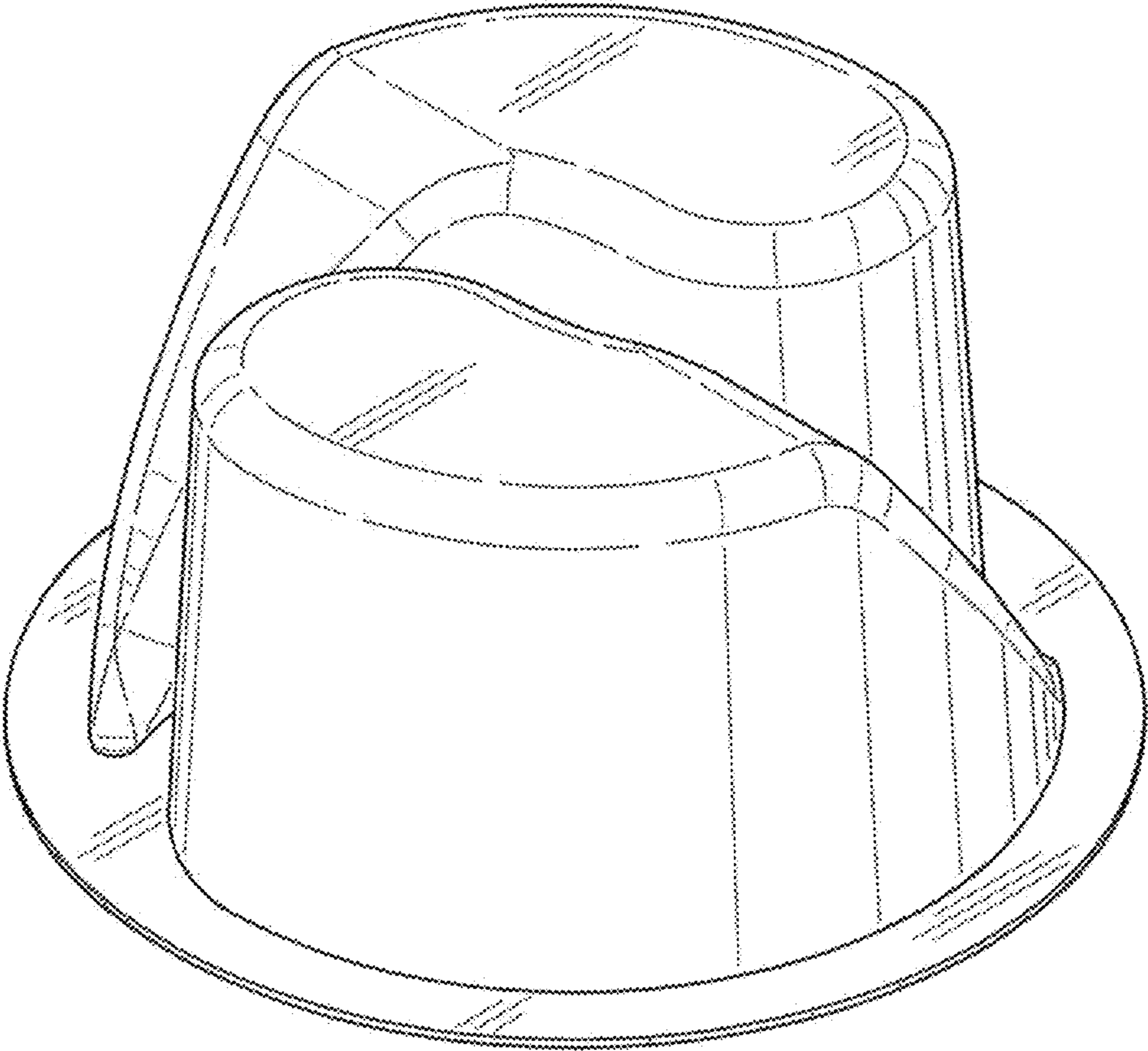


FIG. 1

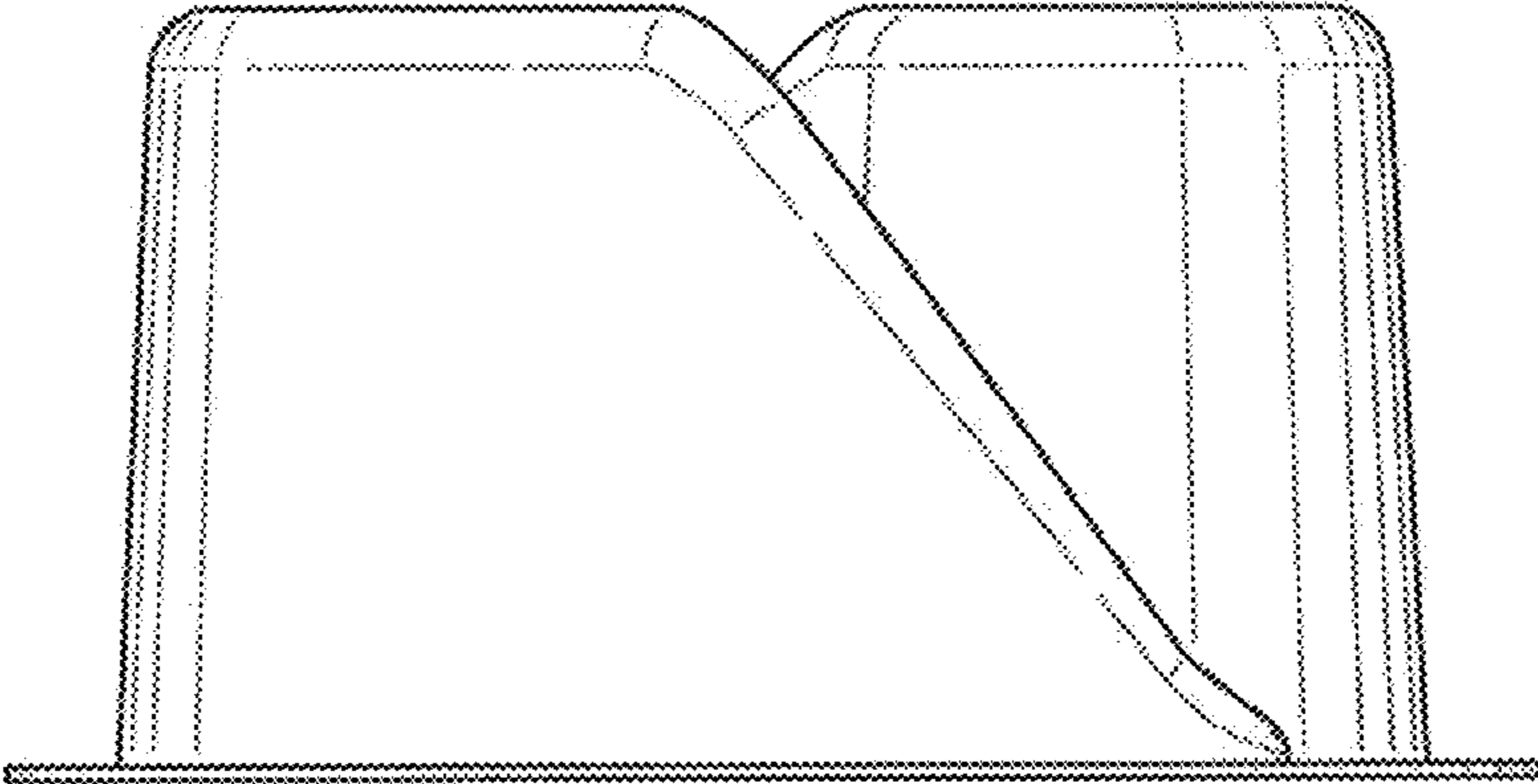


FIG. 2

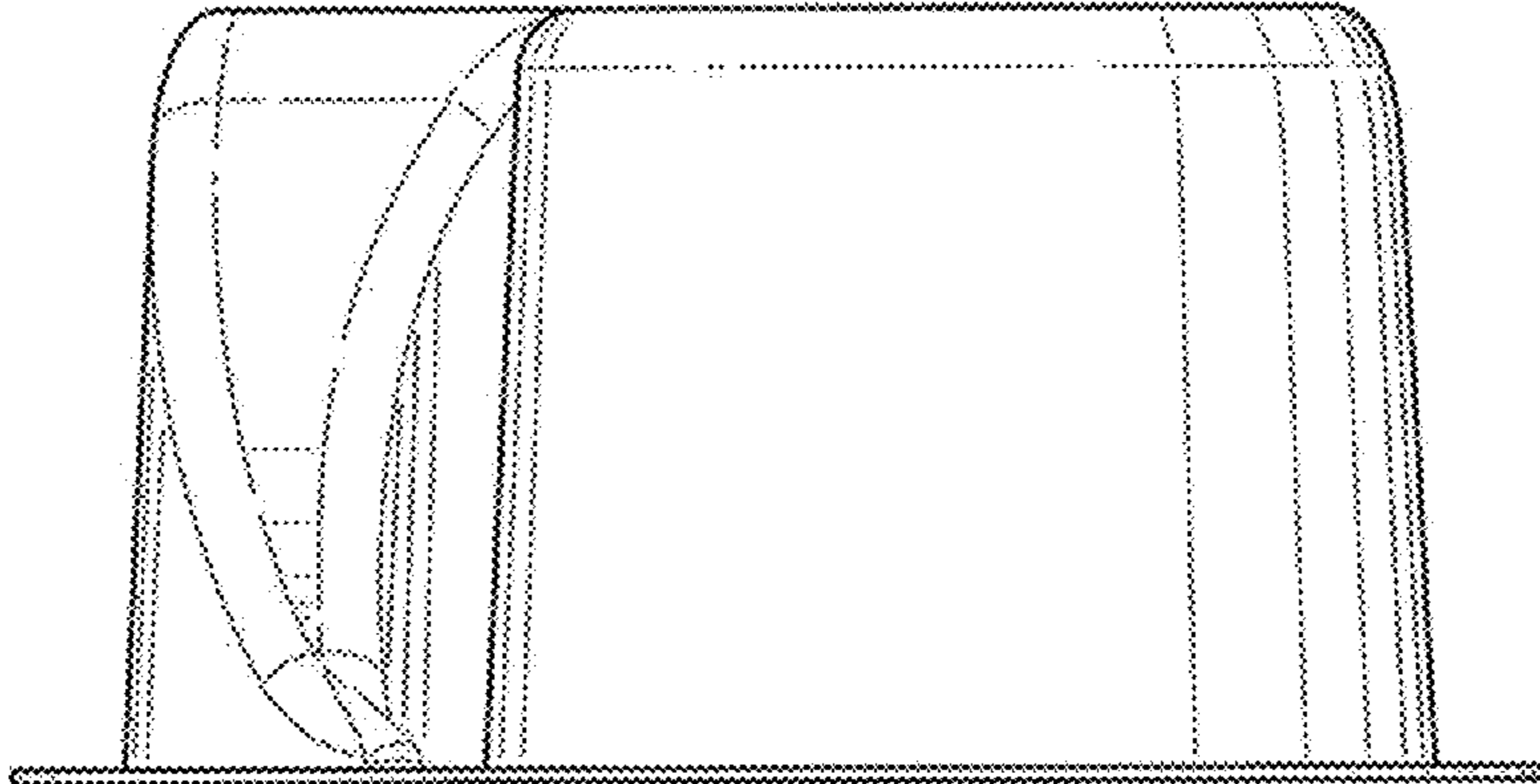


FIG. 3

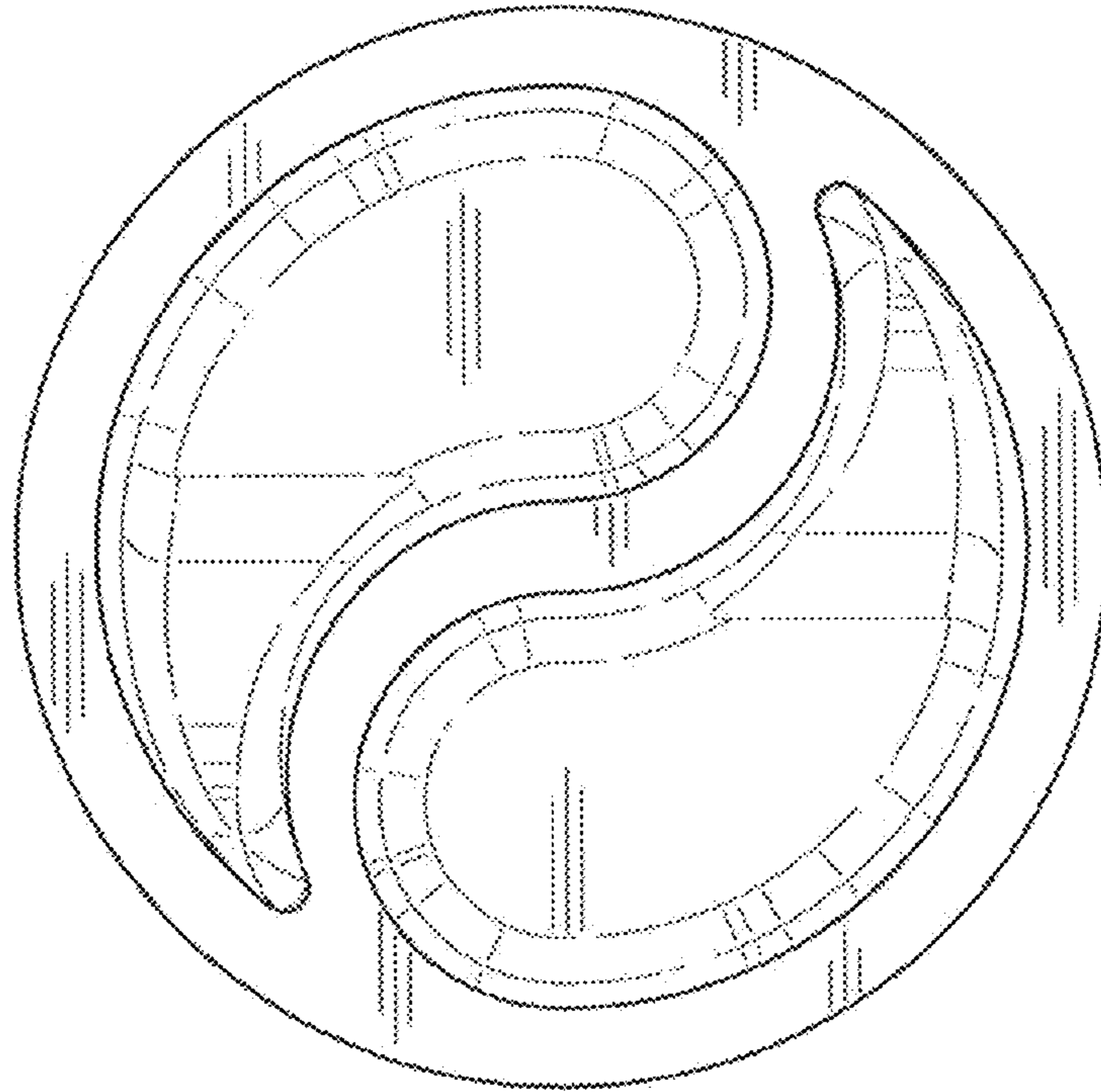


FIG. 4

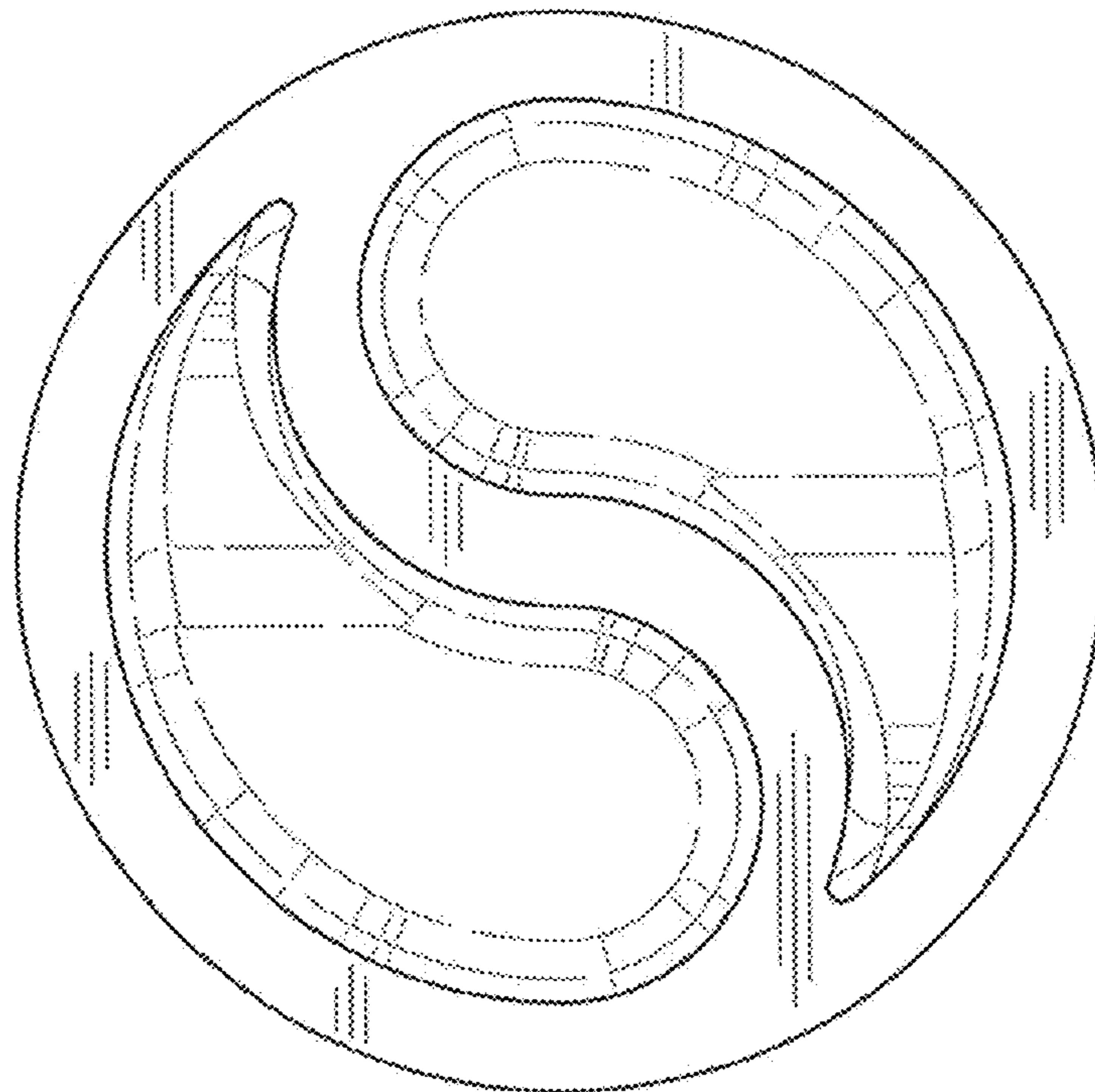


FIG. 5