



US00D758883S

(12) **United States Design Patent**
Richardson

(10) **Patent No.:** **US D758,883 S**
(45) **Date of Patent:** **** Jun. 14, 2016**

- (54) **PROPHY PASTE CUP**
- (71) Applicant: **Young Innovations, Inc.**, Earth City, MO (US)
- (72) Inventor: **Tom Richardson**, Earth City, MO (US)
- (73) Assignee: **Young International, Inc.**, Earth City, MO (US)
- (**) Term: **14 Years**
- (21) Appl. No.: **29/524,622**
- (22) Filed: **Apr. 22, 2015**
- (51) **LOC (10) Cl.** **09-03**
- (52) **U.S. Cl.**
USPC **D9/756**
- (58) **Field of Classification Search**
USPC D9/756, 715-717, 737, 414, 416, 424, D9/425, 430-432; D7/354, 392.1, 394, D7/396.1, 538, 543-545, 550.1, 551, D7/554.3, 587, 566, 575, 584, 619, 629, D7/667, 318, 319, 619.1, 553.6-553.7, D7/554.2; D24/105, 176-180, 227; D6/530; 224/217; 206/63.5, 553, 557, 206/541, 775, 776, 119, 470, 508, 521.1, 206/545, 806, 217, 820; 220/608, 780-806, 220/475, 674, 675, 4.21-4.24, 555, 556, 220/810, 836, 837, 841, 366.1, 367; 366/602; 433/49, 163, 91, 50, 77, 79, 433/166, 125; 426/106
CPC .. A61C 17/005; A61C 19/006; B65D 43/162; B65D 81/3453
See application file for complete search history.

- 5,048,731 A * 9/1991 Moreschini A61C 19/006 220/270
- D351,997 S * 11/1994 Finnah D9/425
- D393,798 S * 4/1998 Joswick D9/425
- D425,277 S * 5/2000 Kent D32/53
- 6,062,389 A * 5/2000 Kent B44D 3/12 15/257.05
- D456,707 S * 5/2002 Agarwal D9/717
- D485,942 S * 1/2004 McLeish D28/8.1
- D505,335 S * 5/2005 Grenda D9/737
- D514,384 S * 2/2006 Mitchell D7/352
- D529,820 S * 10/2006 Kissner D9/737
- D529,821 S * 10/2006 Wilcox D7/602
- D595,154 S * 6/2009 Nicholson D9/425

(Continued)

OTHER PUBLICATIONS

Young SmartSelect Selective Polishing Paste (YouTube), available Jan. 4, 2016, [online], [site visited Feb. 8, 2016]. Video available from internet, <URL: <https://www.youtube.com/watch?v=AFdaRj8ru78#t=13>.*

(Continued)

Primary Examiner — Cathron Brooks
Assistant Examiner — Teddy Falloway
(74) *Attorney, Agent, or Firm* — Clark Hill PLC

(57) **CLAIM**
The ornamental design for a prophy paste cup, as shown and described.

DESCRIPTION

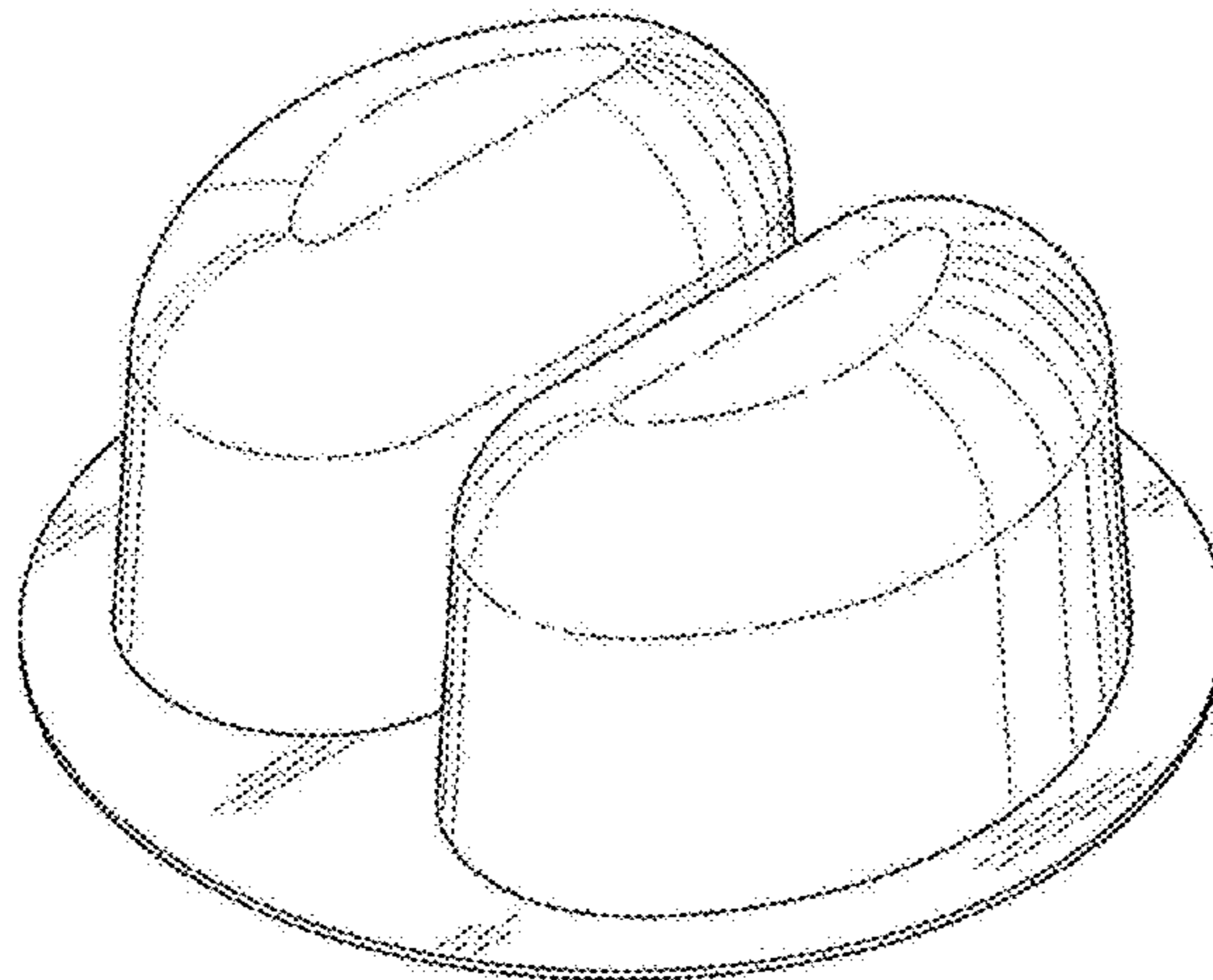
FIG. 1 is a perspective view of the bottom of the prophy paste cup.
FIG. 2 is an elevation view of the prophy paste cup of FIG. 1.
FIG. 3 is another elevation view of the prophy paste cup of FIG. 1.
FIG. 4 is a bottom plan view of the prophy paste cup of FIG. 1; and,
FIG. 5 is a top plan view of the prophy paste cup of FIG. 1.

1 Claim, 3 Drawing Sheets

(56) **References Cited**

U.S. PATENT DOCUMENTS

- D176,252 S * 12/1955 Duncan D7/555
- D213,387 S * 2/1969 Cronheim D7/409
- D252,913 S * 9/1979 Barcliff D7/542



(56)

References Cited

U.S. PATENT DOCUMENTS

D610,407 S * 2/2010 Rauckman D7/553.1
D643,311 S * 8/2011 Meyers D9/756
D669,368 S * 10/2012 Ehrmann D9/424
8,302,528 B2 * 11/2012 Pawlick B65D 81/3453
219/725
8,360,262 B2 * 1/2013 Vovan B65D 43/162
220/266
D702,548 S * 4/2014 Flury D9/425
D718,092 S * 11/2014 Lion D7/555

8,883,242 B1 * 11/2014 Fischell A47G 19/02
220/575
D740,135 S * 10/2015 McSweeney D9/426
D741,201 S * 10/2015 McSweeney D9/756

OTHER PUBLICATIONS

Babies R Us Divided Bowl, available Feb. 2, 2014, [online], [site visited Feb. 8, 2016]. Available from internet, <URL: <http://www.toysrus.com/buy/dishes-bowls/babies-r-us-reusables-divided-bowl-with-spoon-4-pack-pink-3922154-23641856>>.*

* cited by examiner

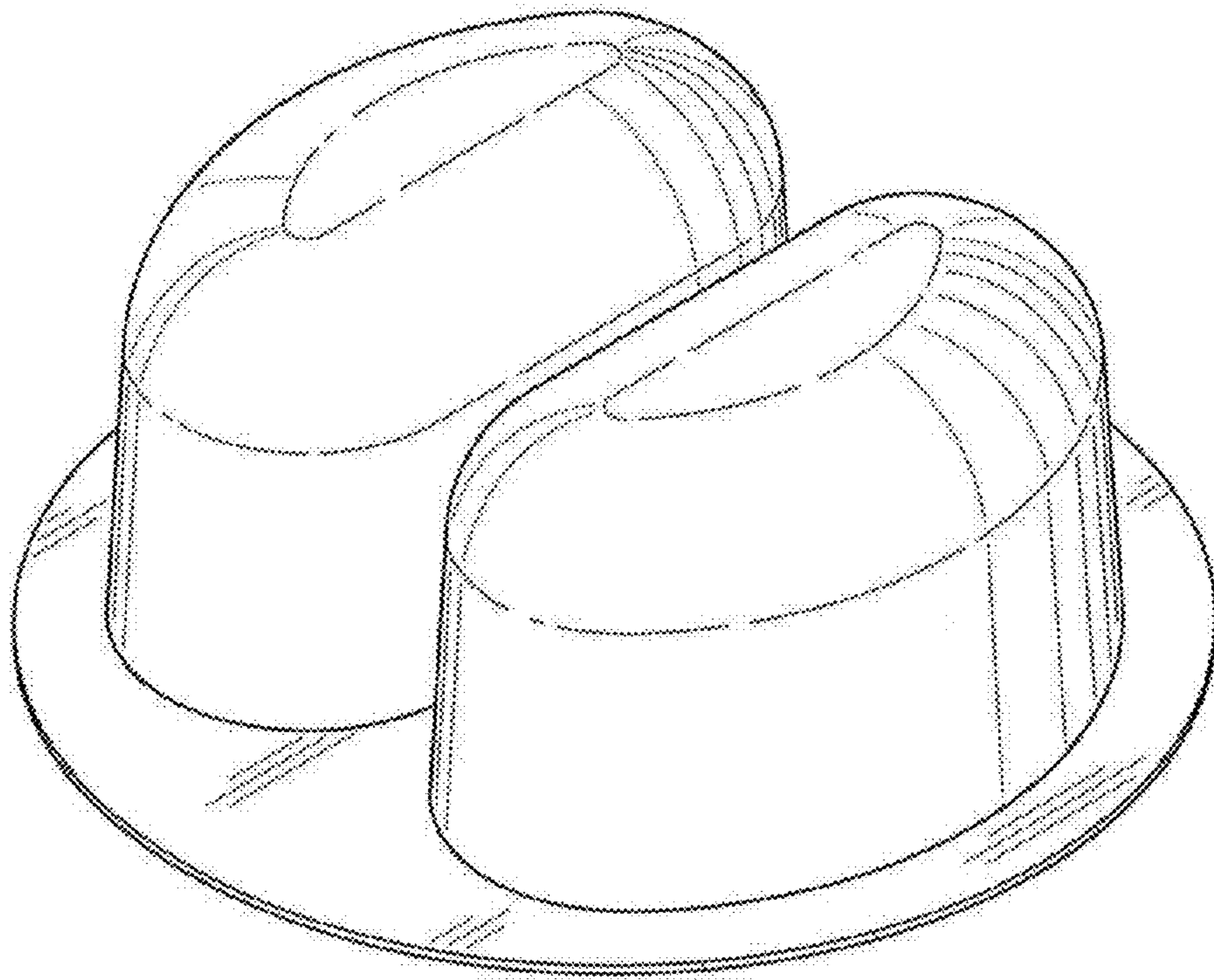


FIG. 1

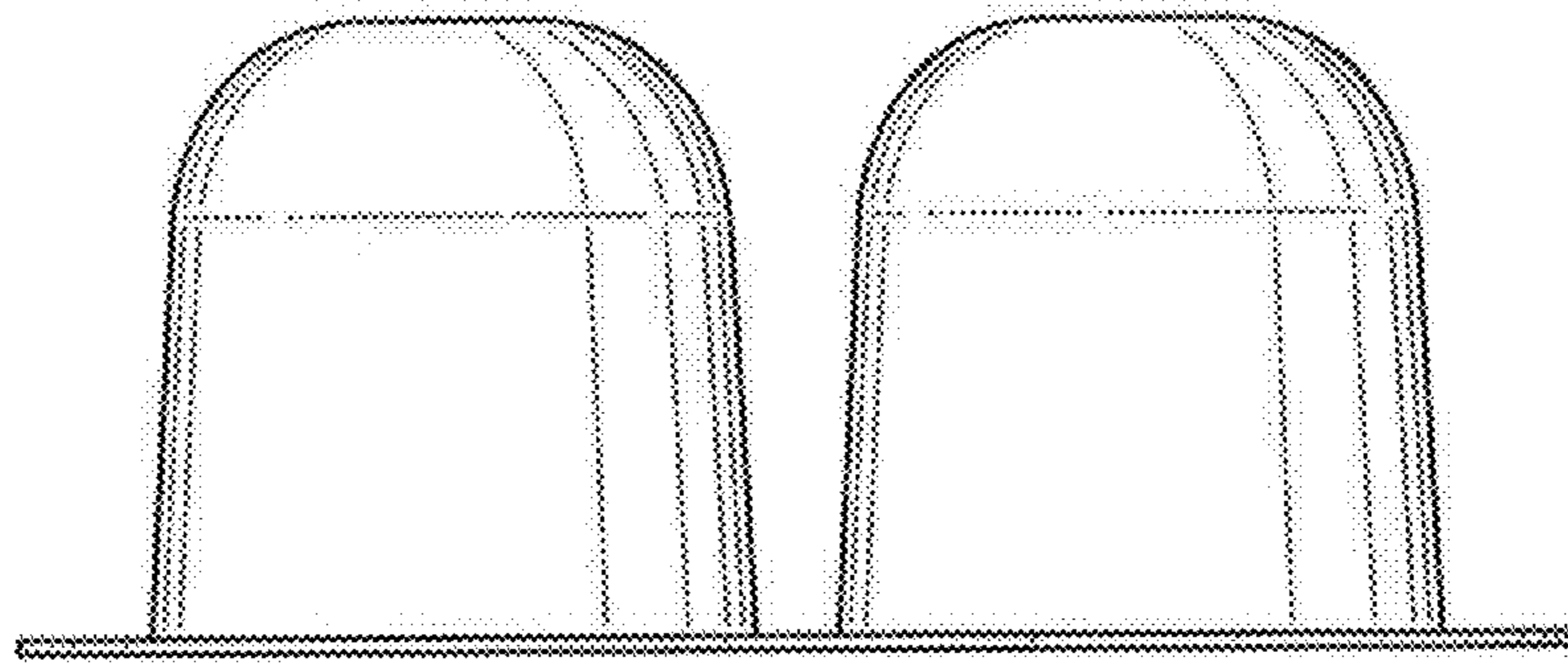


FIG. 2

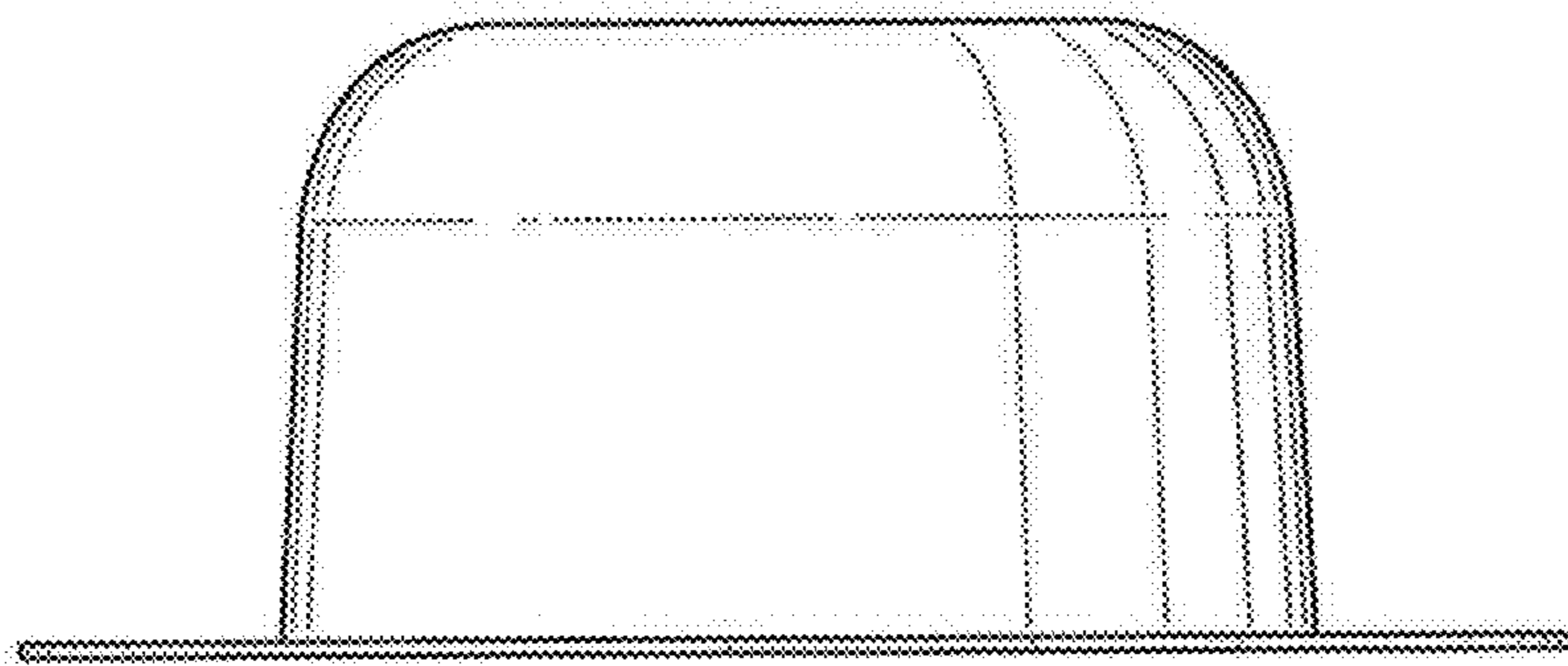


FIG. 3

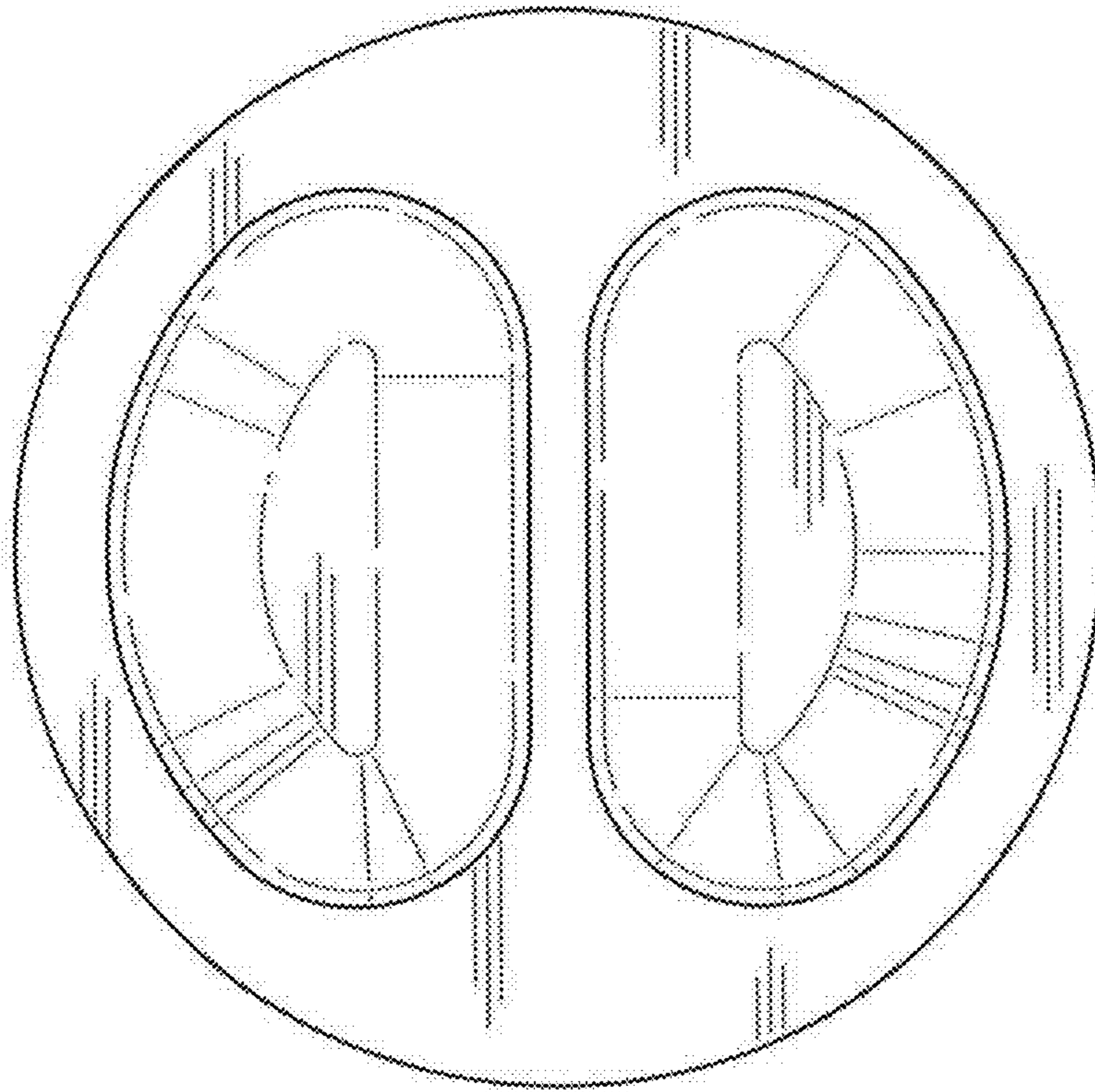


FIG. 4

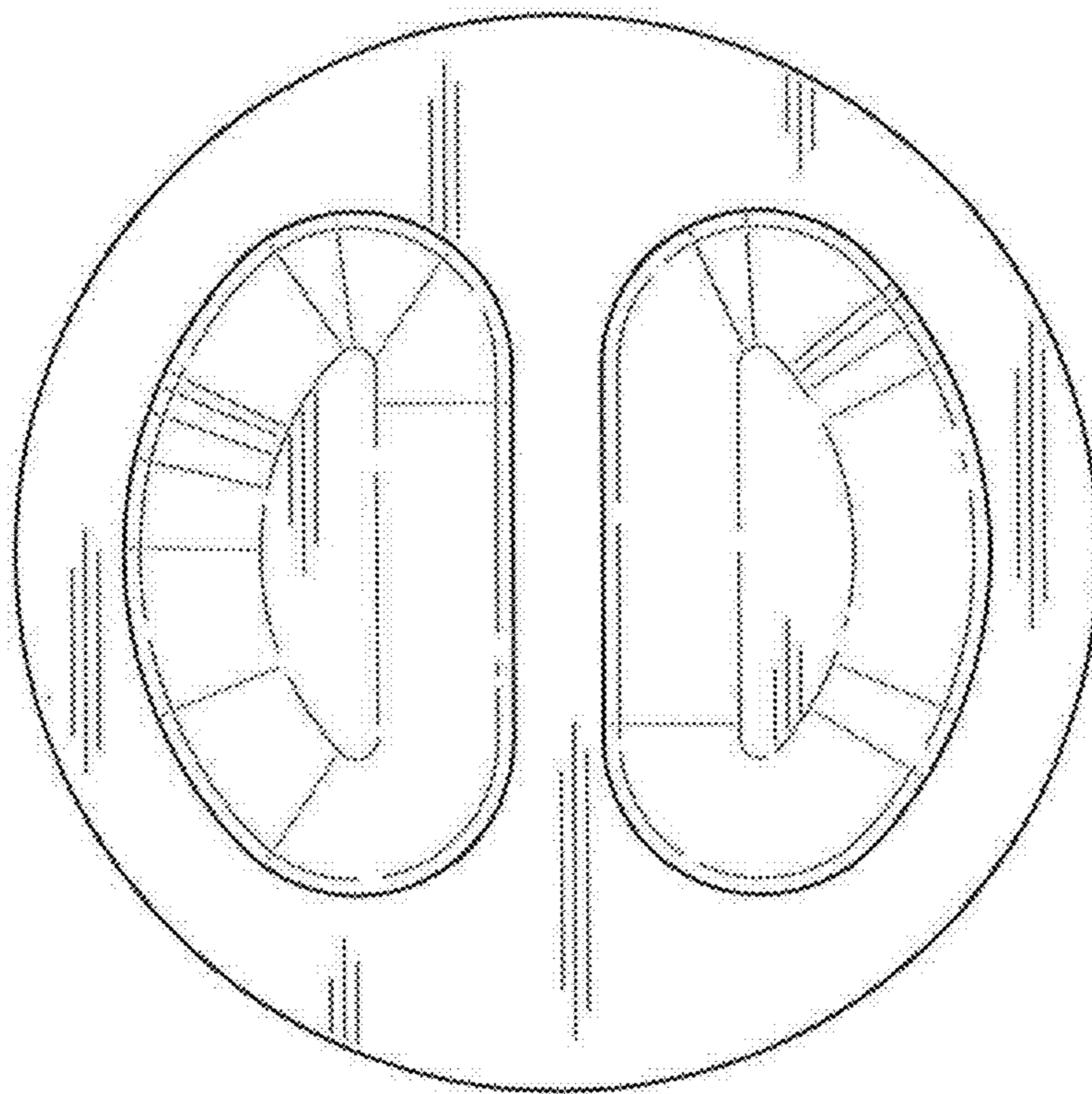


FIG. 5

UNITED STATES PATENT AND TRADEMARK OFFICE
CERTIFICATE OF CORRECTION

PATENT NO. : D758,883 S
APPLICATION NO. : 29/524622
DATED : June 14, 2016
INVENTOR(S) : Tom Richardson

Page 1 of 1

It is certified that error appears in the above-identified patent and that said Letters Patent is hereby corrected as shown below:

TITLE PAGE

(73) Assignee: "Young International, Inc." should be -- Young Innovations, Inc. --

Signed and Sealed this
Sixth Day of September, 2016



Michelle K. Lee
Director of the United States Patent and Trademark Office