

US00D758877S

(12) **United States Design Patent**
Vaughn-Batiz

(10) **Patent No.:** **US D758,877 S**

(45) **Date of Patent:** **** Jun. 14, 2016**

(54) **DISPENSING BOTTLE**

(71) Applicant: **Scentsible, LLC**, Addison, TX (US)

(72) Inventor: **Suzanne Vaughn-Batiz**, Addison, TX (US)

(73) Assignee: **SCENTSIBLE, LLC**, Addison, TX (US)

(**) Term: **14 Years**

(21) Appl. No.: **29/513,311**

(22) Filed: **Dec. 30, 2014**

(51) **LOC (10) Cl.** **09-01**

(52) **U.S. Cl.**
USPC **D9/682**

(58) **Field of Classification Search**
USPC D9/682-694, 723-729, 763, 781, 782,
D9/516, 556-558, 571-575, 448
CPC B65D 1/02; B65D 1/023; B65D 1/0223;
B65D 1/0246; B65D 1/0261; B65D 1/0276;
B65D 1/40; B65D 83/14; B65D 83/20;
B65D 83/207; B65D 83/28; B65D 83/38;
B65D 2501/0081; B05B 11/0037; B05B
11/3001; B05B 11/3023; B05B 11/3042;
B05B 11/3043; B05B 11/3045; B05B
11/3046; B05B 11/3047; B05B 11/3059;
A45D 34/00; A45D 34/02

See application file for complete search history.

(56) **References Cited**

U.S. PATENT DOCUMENTS

D18,390 S * 6/1888 Garton D9/544
D56,427 S * 10/1920 Hall D9/661

(Continued)

FOREIGN PATENT DOCUMENTS

KR 300392815.0000 * 9/2005

Primary Examiner — Catherine Tuttle

(74) *Attorney, Agent, or Firm* — Daniel J. Chalker; Chalker Flores, LLP

(57) **CLAIM**

The ornamental design for a dispensing bottle, as shown and described.

DESCRIPTION

FIG. 1 is a perspective view of a first embodiment of the dispensing bottle;

FIG. 2 is a front view of the bottle in FIG. 1;

FIG. 3 is a rear view of the bottle in FIGS. 1-2;

FIG. 4 is a left side view of the bottle in FIGS. 1-3;

FIG. 5 is a right view of the bottle in FIGS. 1-4;

FIG. 6 is a top view of the bottle in FIGS. 1-5;

FIG. 7 is a bottom view of the bottle in FIGS. 1-6;

FIG. 8 is a perspective view of a second embodiment of the dispensing bottle;

FIG. 9 is a front view of the bottle in FIG. 8;

FIG. 10 is a rear view of the bottle in FIGS. 8-9;

FIG. 11 is a left side view of the bottle in FIGS. 8-10;

FIG. 12 is a right view of the bottle in FIGS. 8-11;

FIG. 13 is a top view of the bottle in FIGS. 8-12;

FIG. 14 is a bottom view of the bottle in FIGS. 8-13;

FIG. 15 is a perspective view of a third embodiment of the dispensing bottle;

FIG. 16 is a front view of the bottle in FIG. 15;

FIG. 17 is a rear view of the bottle in FIGS. 15-16;

FIG. 18 is a left side view of the bottle in FIGS. 15-17;

FIG. 19 is a right view of the bottle in FIGS. 15-18;

FIG. 20 is a top view of the bottle in FIGS. 15-19;

FIG. 21 is a bottom view of the bottle in FIGS. 15-20;

FIG. 22 is a perspective view of a fourth embodiment of the dispensing bottle;

FIG. 23 is a front view of the bottle in FIG. 22;

FIG. 24 is a rear view of the bottle in FIGS. 22-23;

FIG. 25 is a left side view of the bottle in FIGS. 22-24;

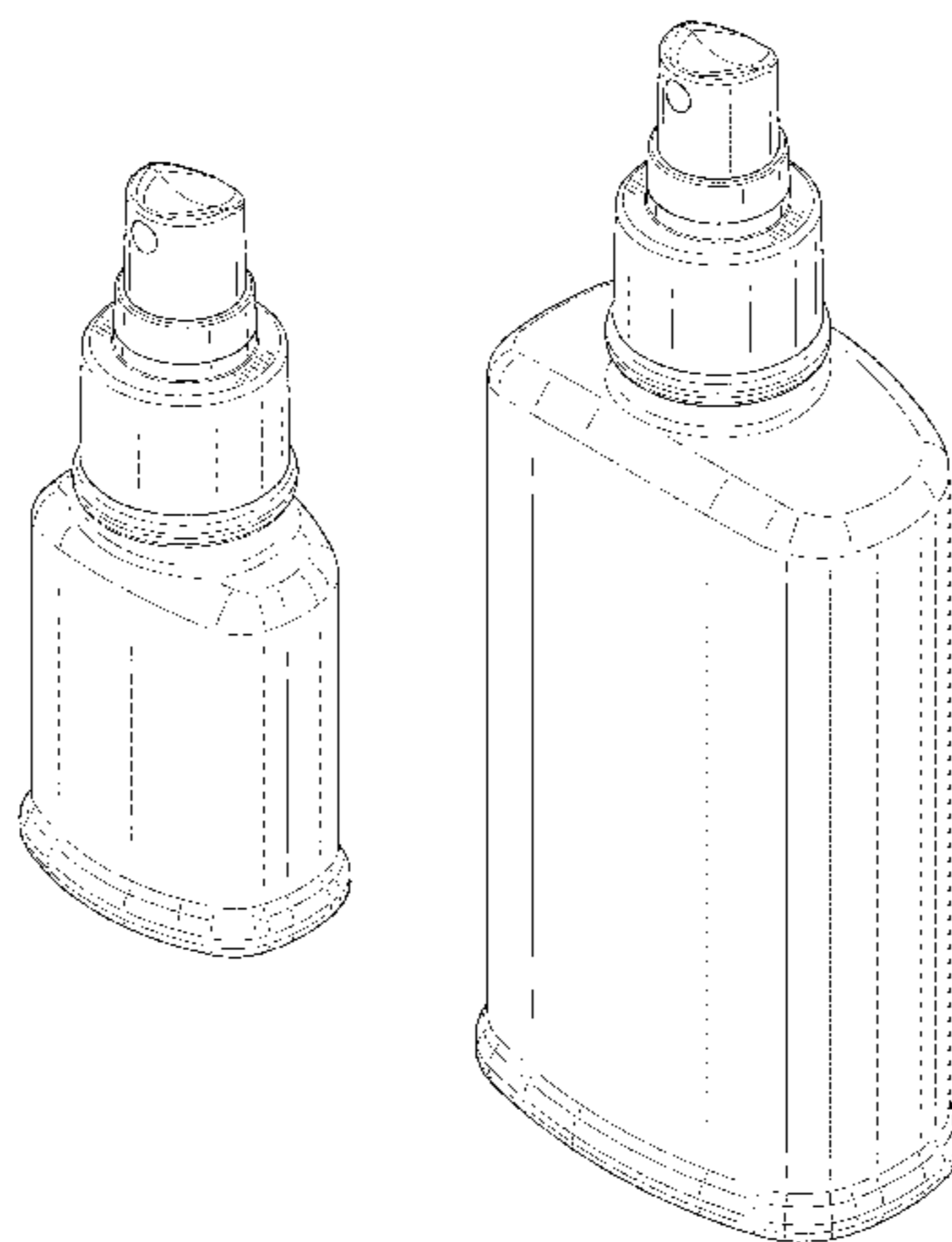
FIG. 26 is a right view of the bottle in FIGS. 22-25;

FIG. 27 is a top view of the bottle in FIGS. 22-26; and,

FIG. 28 is a bottom view of the bottle in FIGS. 22-27.

The broken lines showing the inner bottom profile in FIGS. 7, 14, 21 and 28 are for illustration only and form no part of the claimed design.

1 Claim, 18 Drawing Sheets



(56)

References Cited

U.S. PATENT DOCUMENTS

2,264,792	A *	12/1941	Gray	B65D 41/0471			
						215/331		
D142,616	S *	10/1945	Clevenger	D9/573			
D170,170	S *	8/1953	Schultz	D9/573			
D200,262	S *	2/1965	Heintze	D9/571			
D225,830	S *	1/1973	Hill	D9/694			
D254,838	S	4/1980	Agnone et al.					
4,249,676	A *	2/1981	Beery	B05B 11/3023			
						222/263		
D278,118	S *	3/1985	Hoyt	D9/436			
D294,122	S *	2/1988	Weber	D9/571			
D316,972	S *	5/1991	Law	D9/448			
D338,159	S *	8/1993	Densky	D9/453			
D345,921	S *	4/1994	Frank	D9/454			
D346,334	S *	4/1994	Ahlsvik	D9/548			
D346,548	S *	5/1994	Maddox	D9/658			
D349,856	S *	8/1994	Linner	D9/435			
D351,991	S *	11/1994	Bertolini	D9/558			
D379,312	S *	5/1997	Crawford	D9/557			
D388,331	S *	12/1997	Haner	D9/571			
D392,558	S *	3/1998	Monaghan	D9/682			
D422,508	S *	4/2000	Restrepo	D9/544			
D423,922	S *	5/2000	Ohchi	D9/503			
6,092,694	A *	7/2000	Sadow	B05B 11/0005			
						222/179.5		
D464,874	S *	10/2002	Tune	D9/682			
D498,146	S *	11/2004	Densky	D9/571			
7,175,050	B1 *	2/2007	DeCottignies	B05B 11/0043			
						215/11.3		
D600,565	S *	9/2009	Kuzma	D9/563			
7,717,302	B2 *	5/2010	Crosnier	B05B 11/0016			
						222/321.2		
D624,823	S	10/2010	Brown					
D635,464	S *	4/2011	Kuzma	D9/563			
D643,742	S *	8/2011	Weng	D9/682			
D679,603	S *	4/2013	Winn	D9/454			
D700,517	S	3/2014	Oommen et al.					
D703,538	S	4/2014	Paredes et al.					
8,857,636	B2 *	10/2014	Sullivan	A45D 34/04			
						215/256		

* cited by examiner

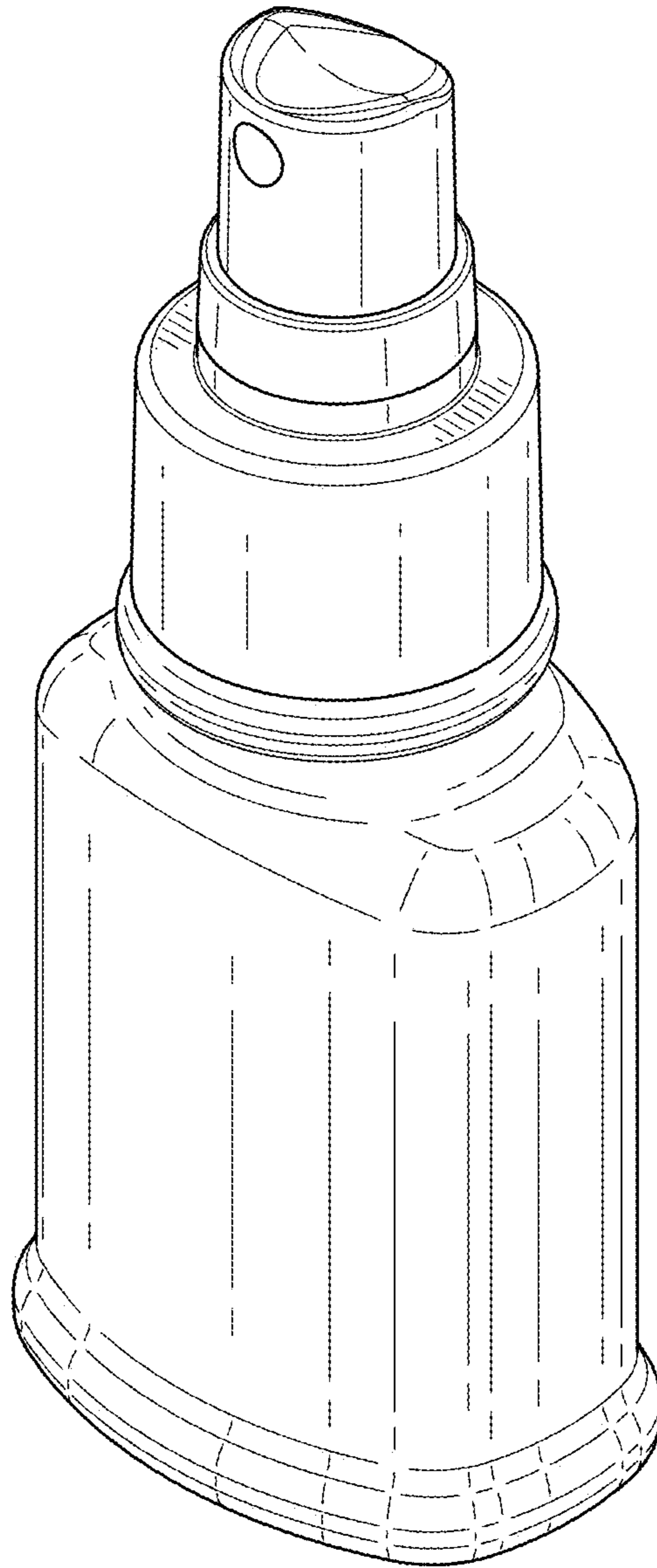


FIG. 1

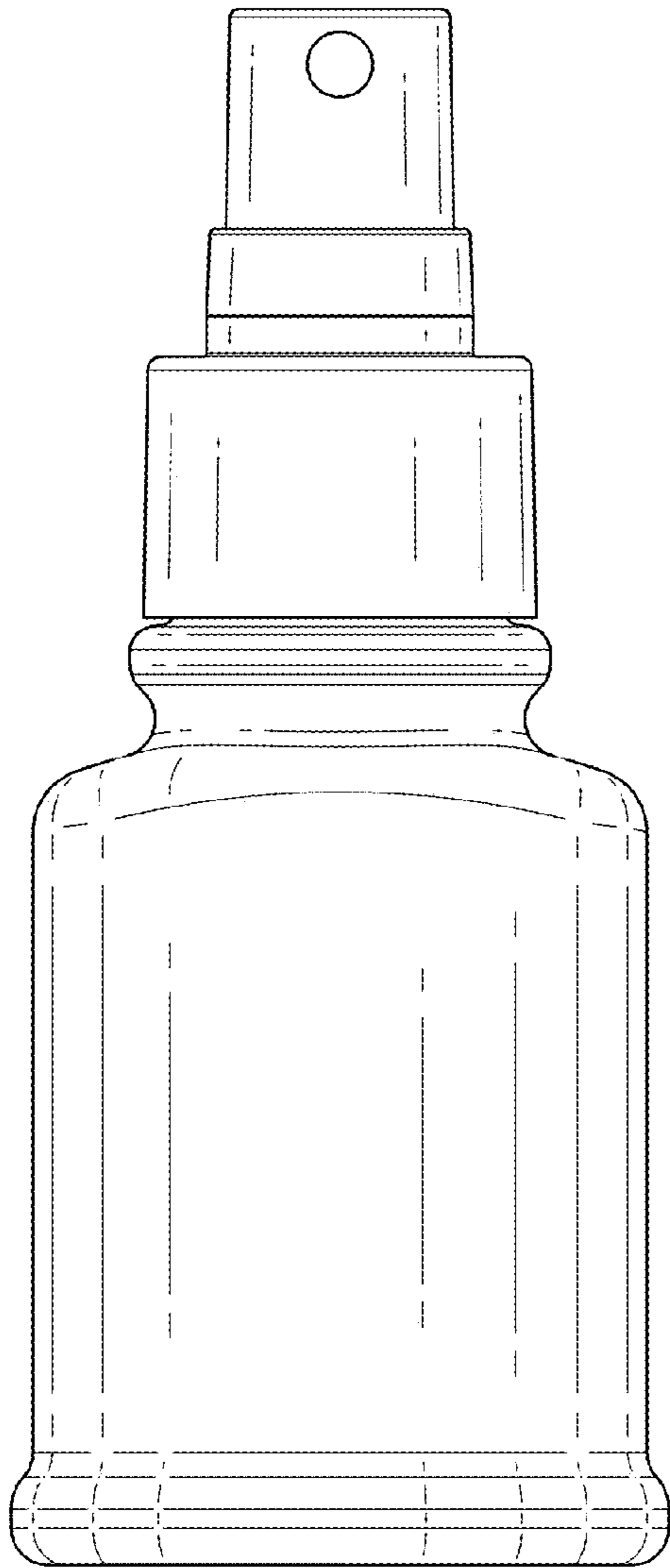


FIG. 2

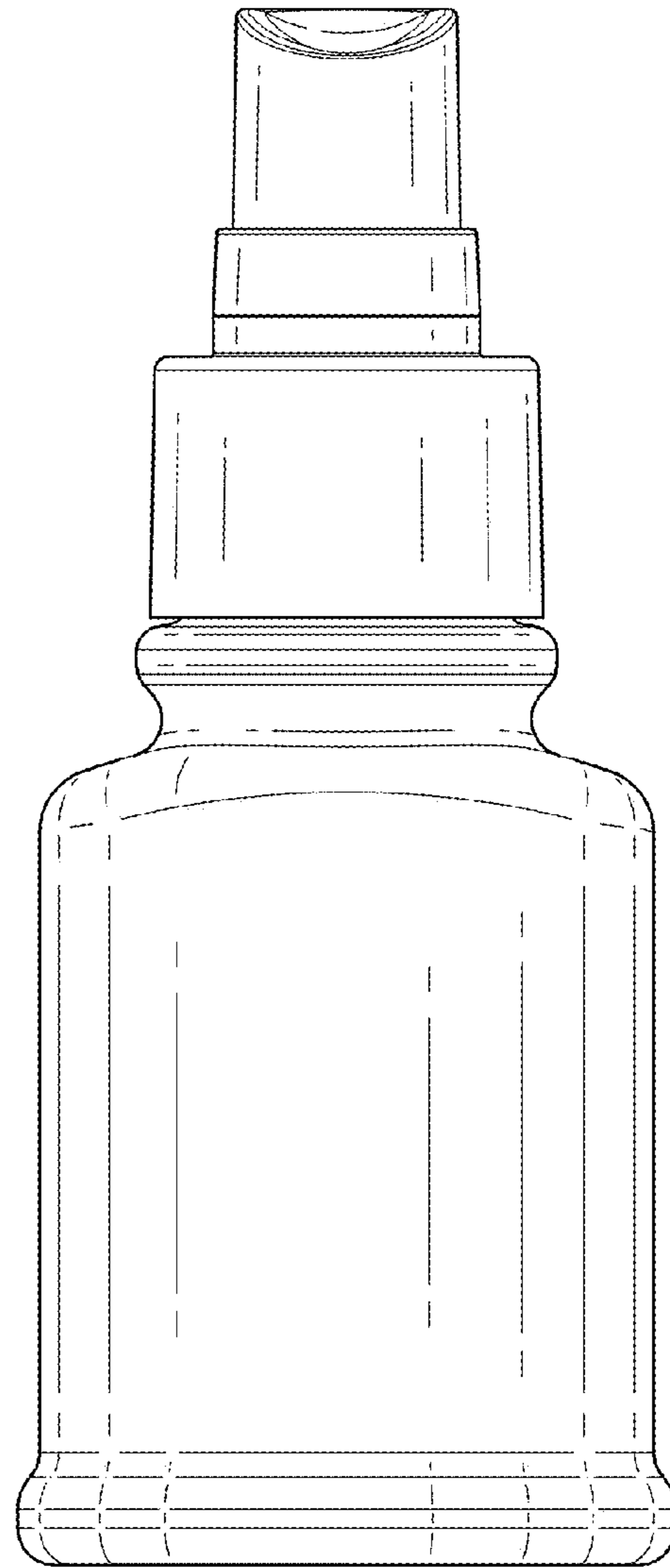


FIG. 3

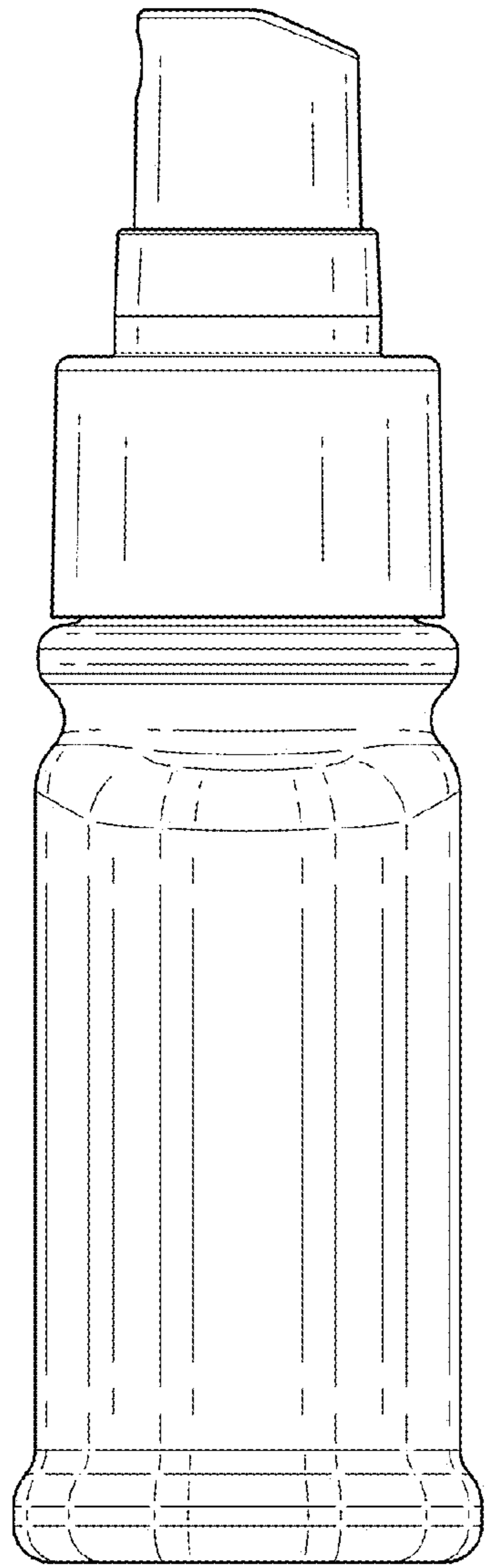


FIG. 4

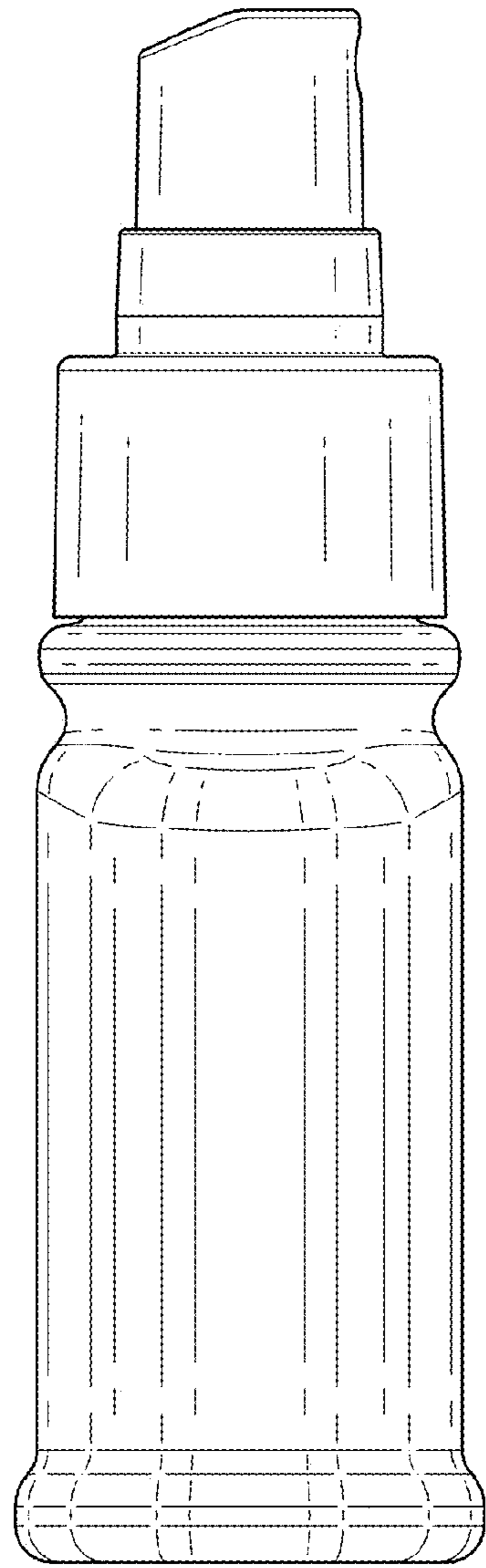


FIG. 5

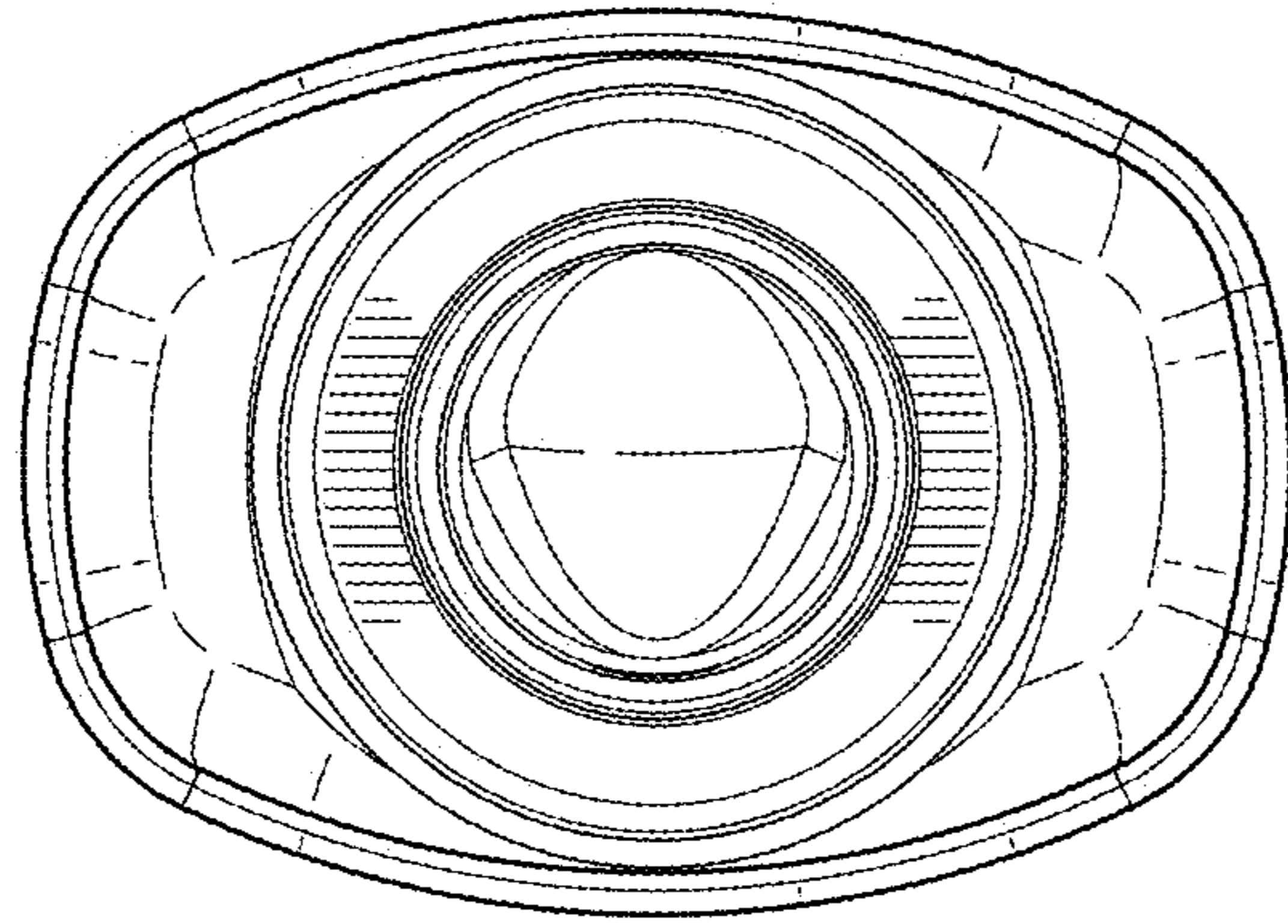


FIG. 6

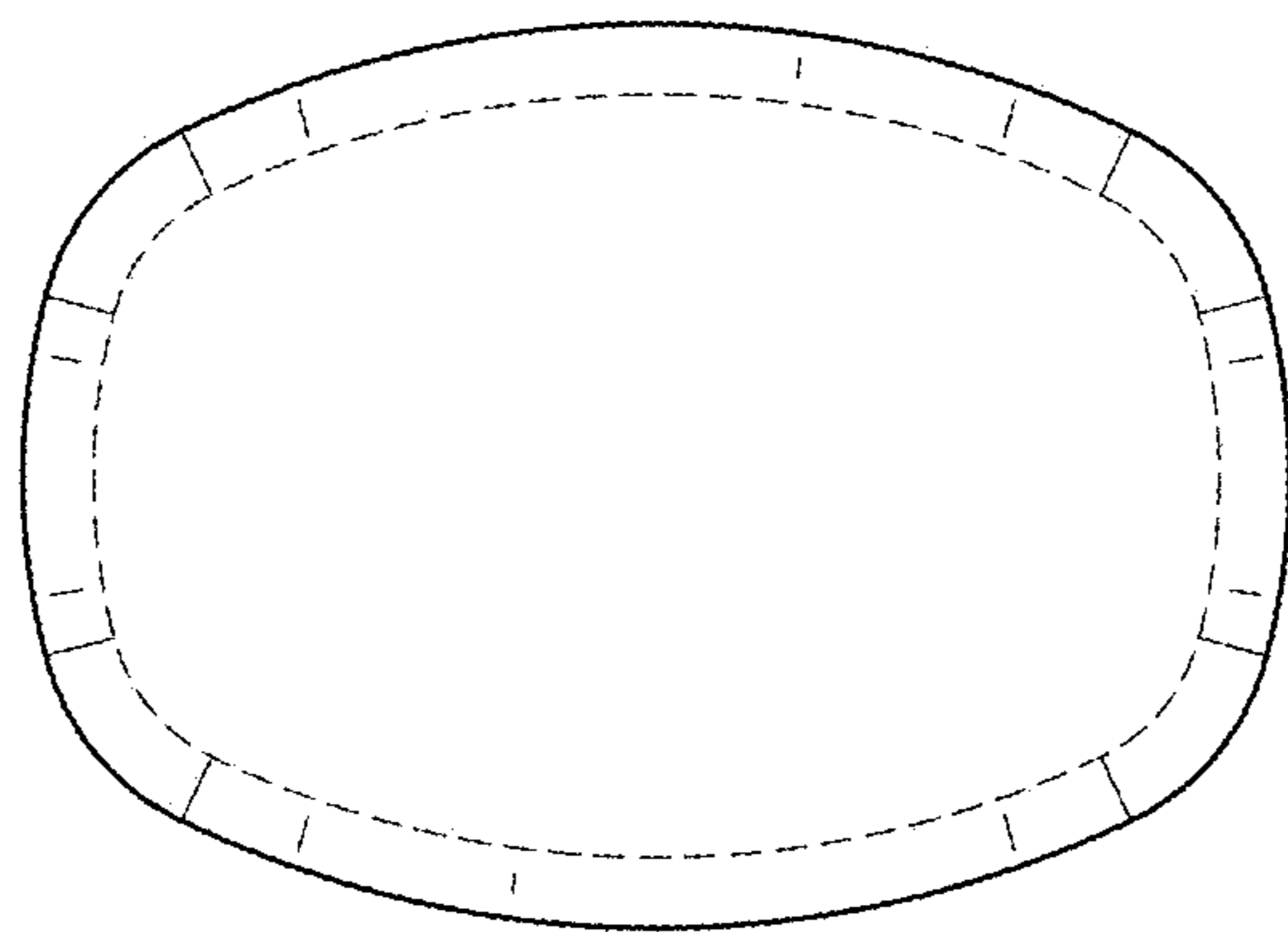


FIG. 7

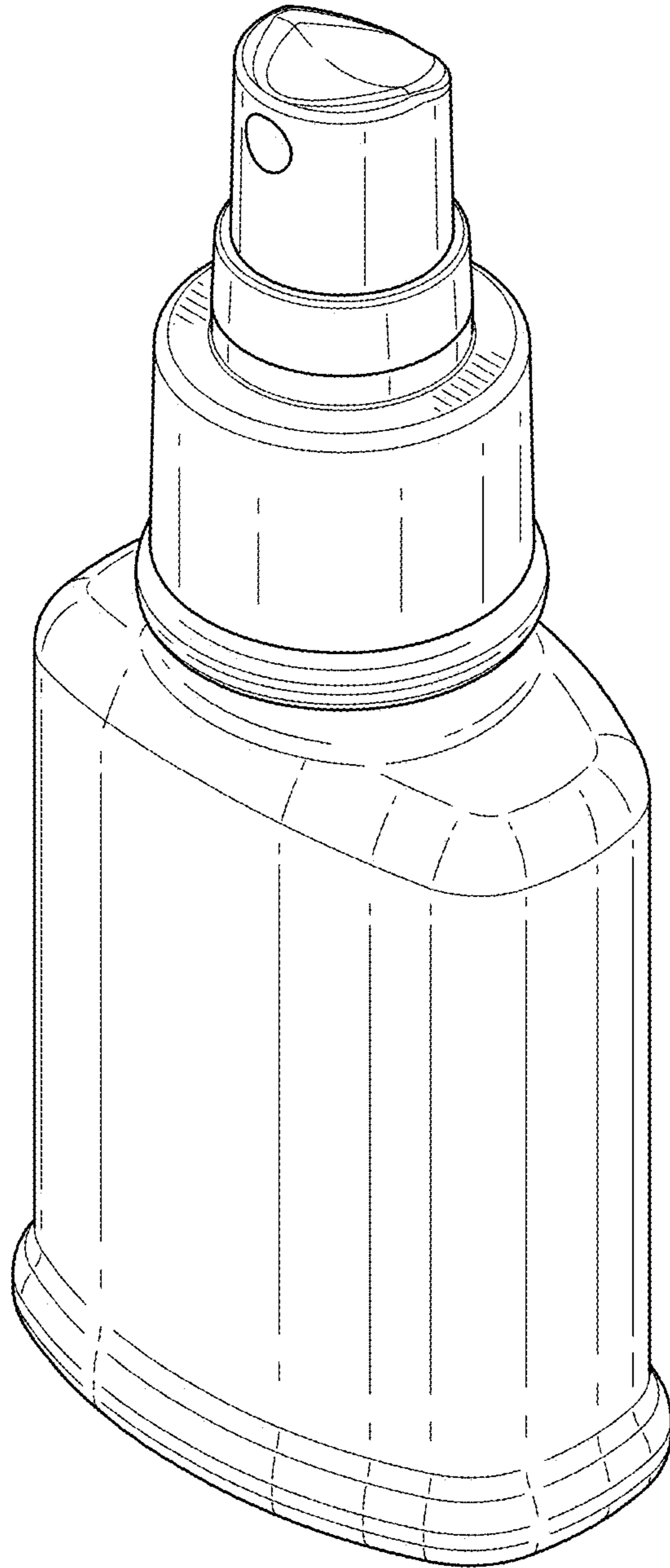


FIG. 8

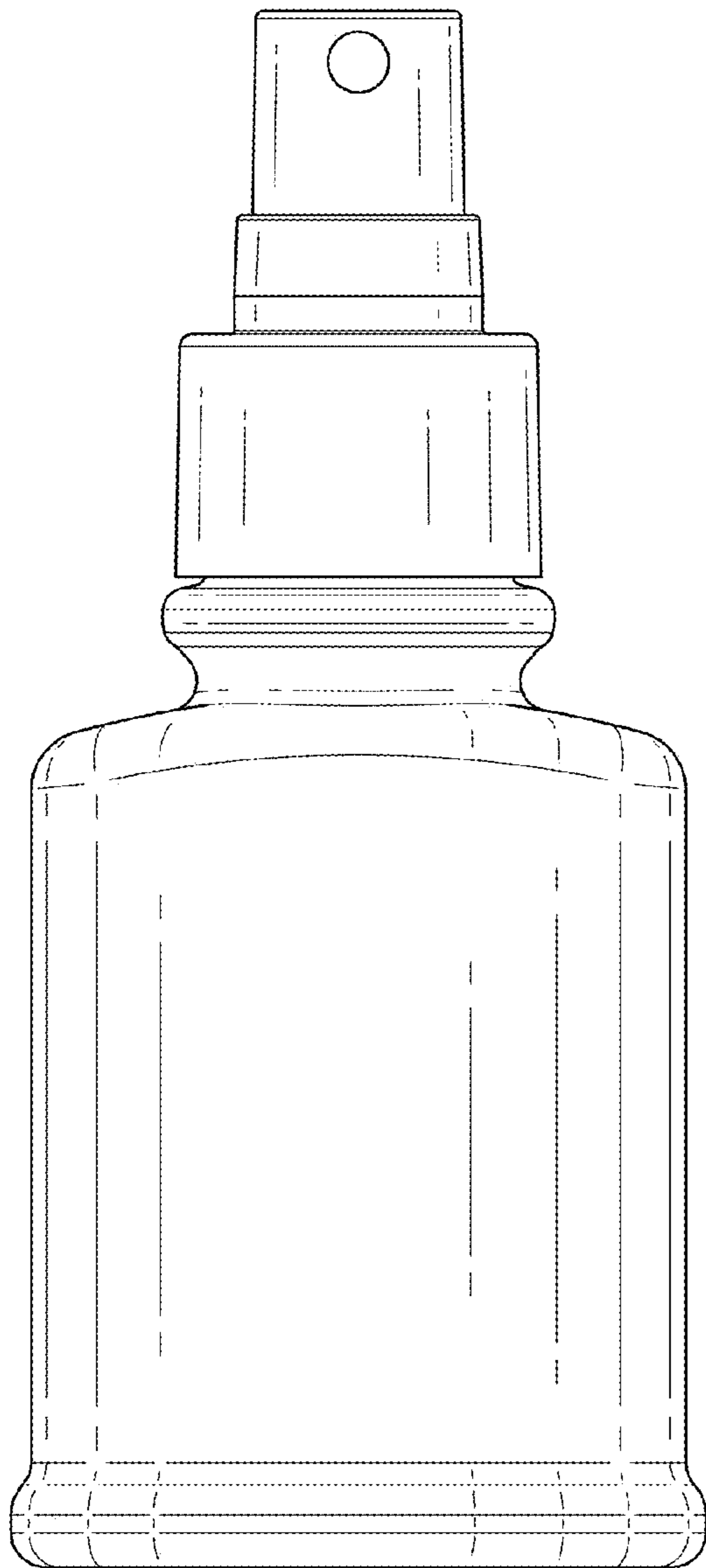


FIG. 9

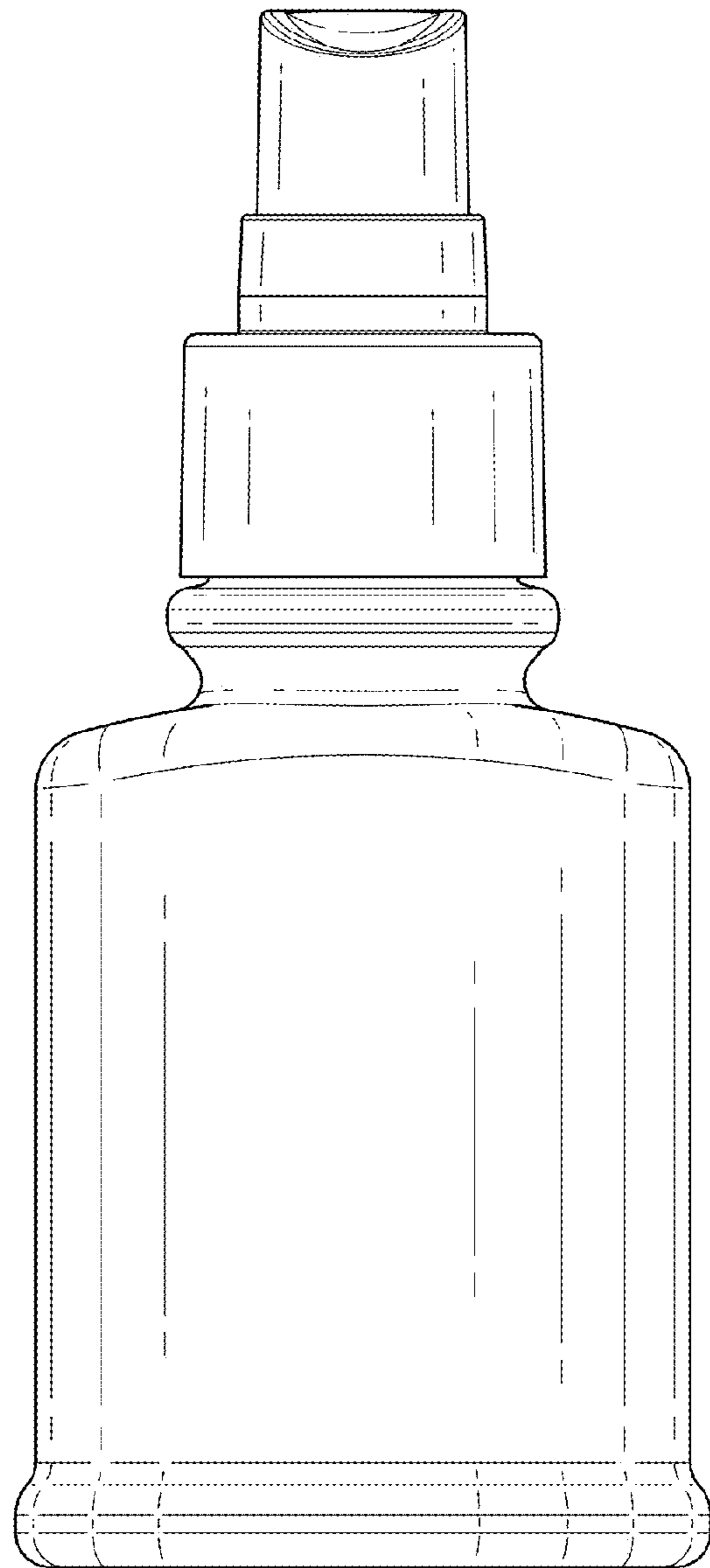


FIG. 10

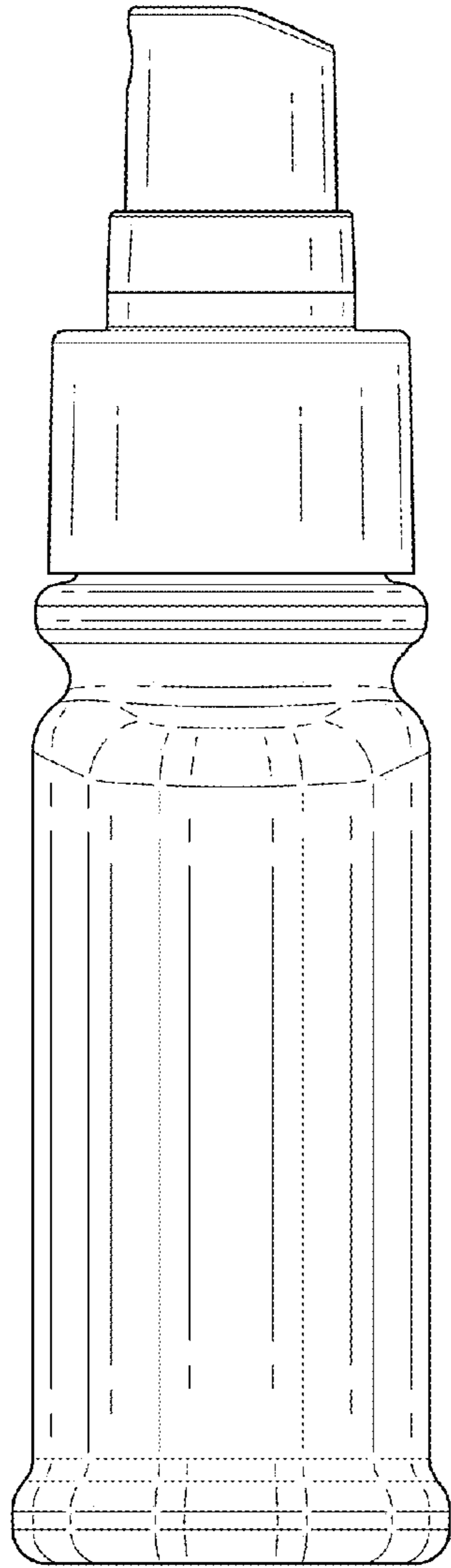


FIG. 11

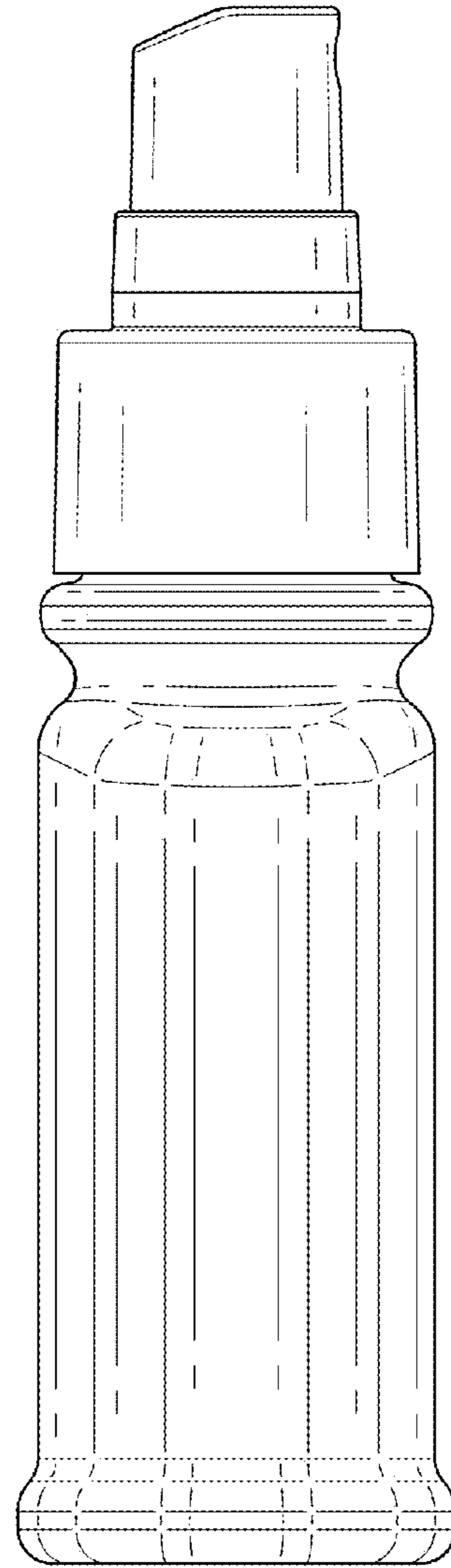


FIG. 12

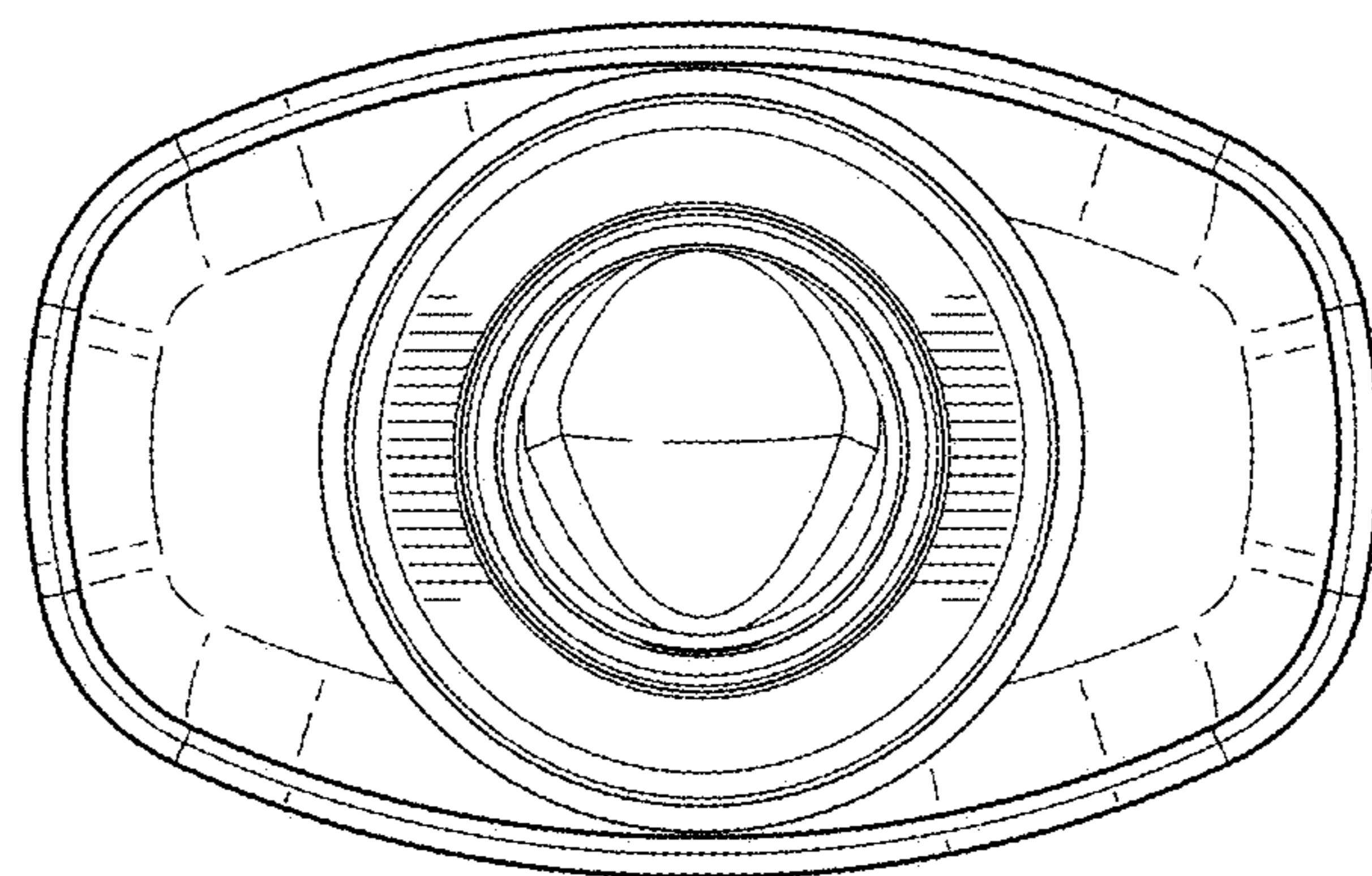


FIG. 13

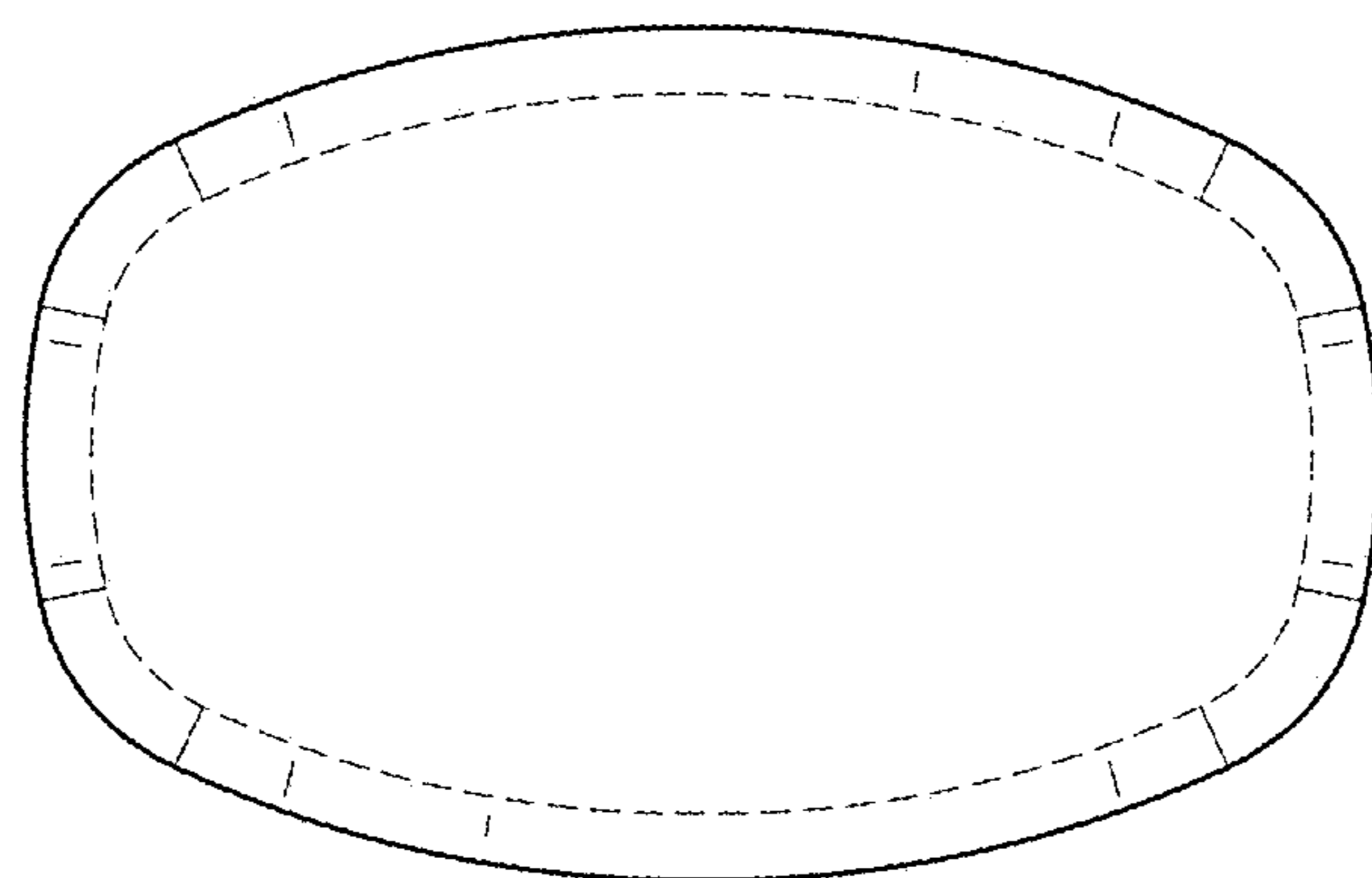


FIG. 14

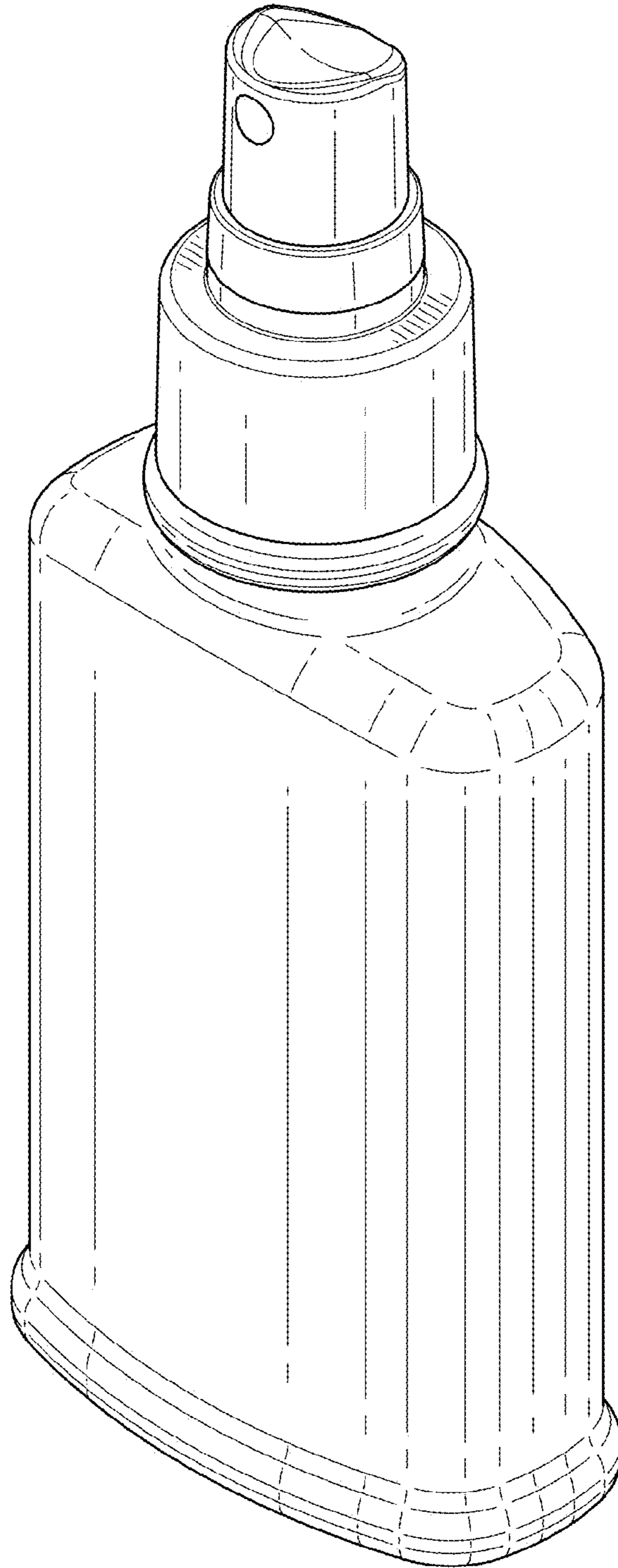


FIG. 15

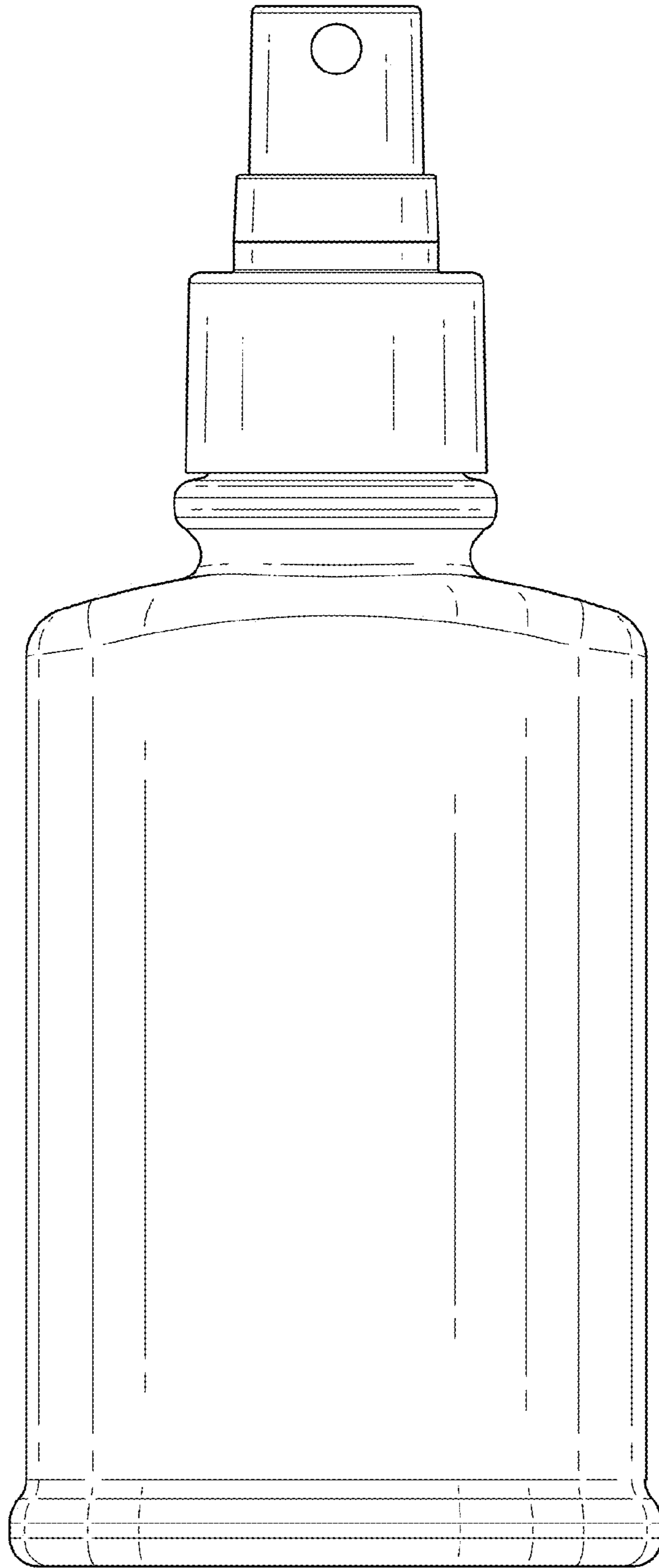


FIG. 16

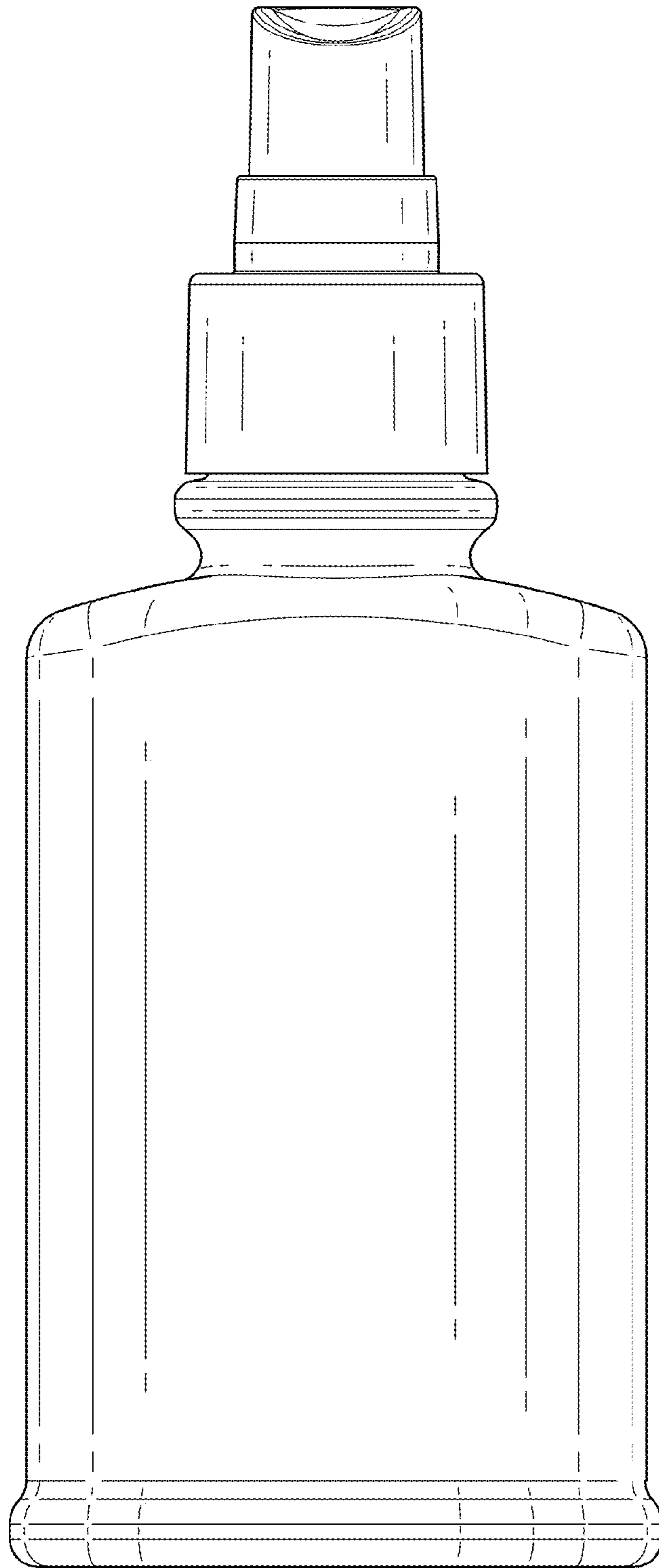


FIG. 17

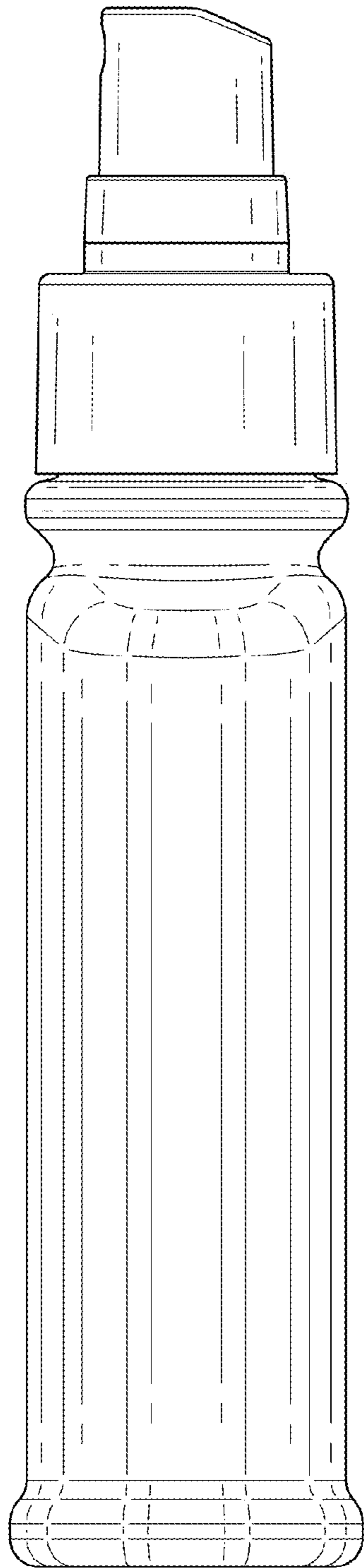


FIG. 18

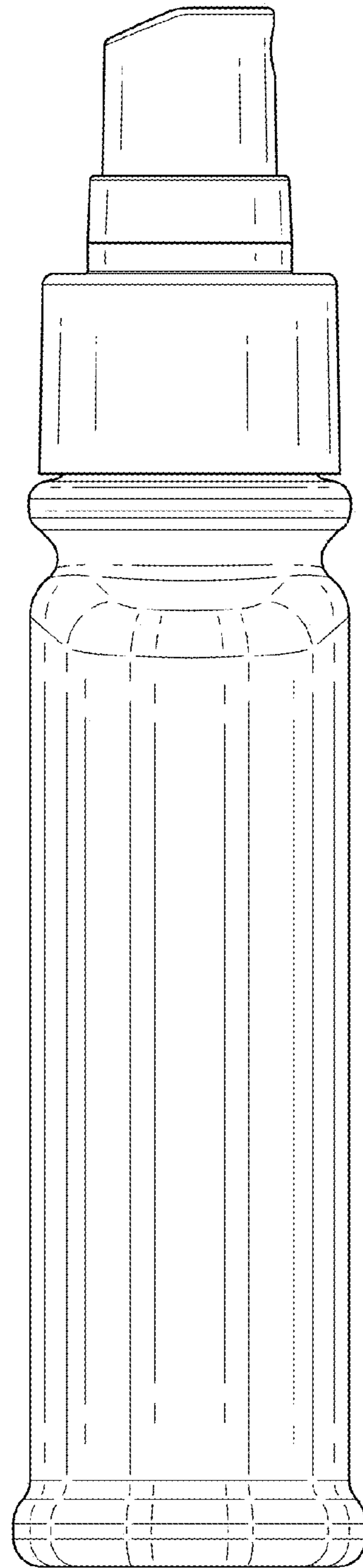


FIG. 19

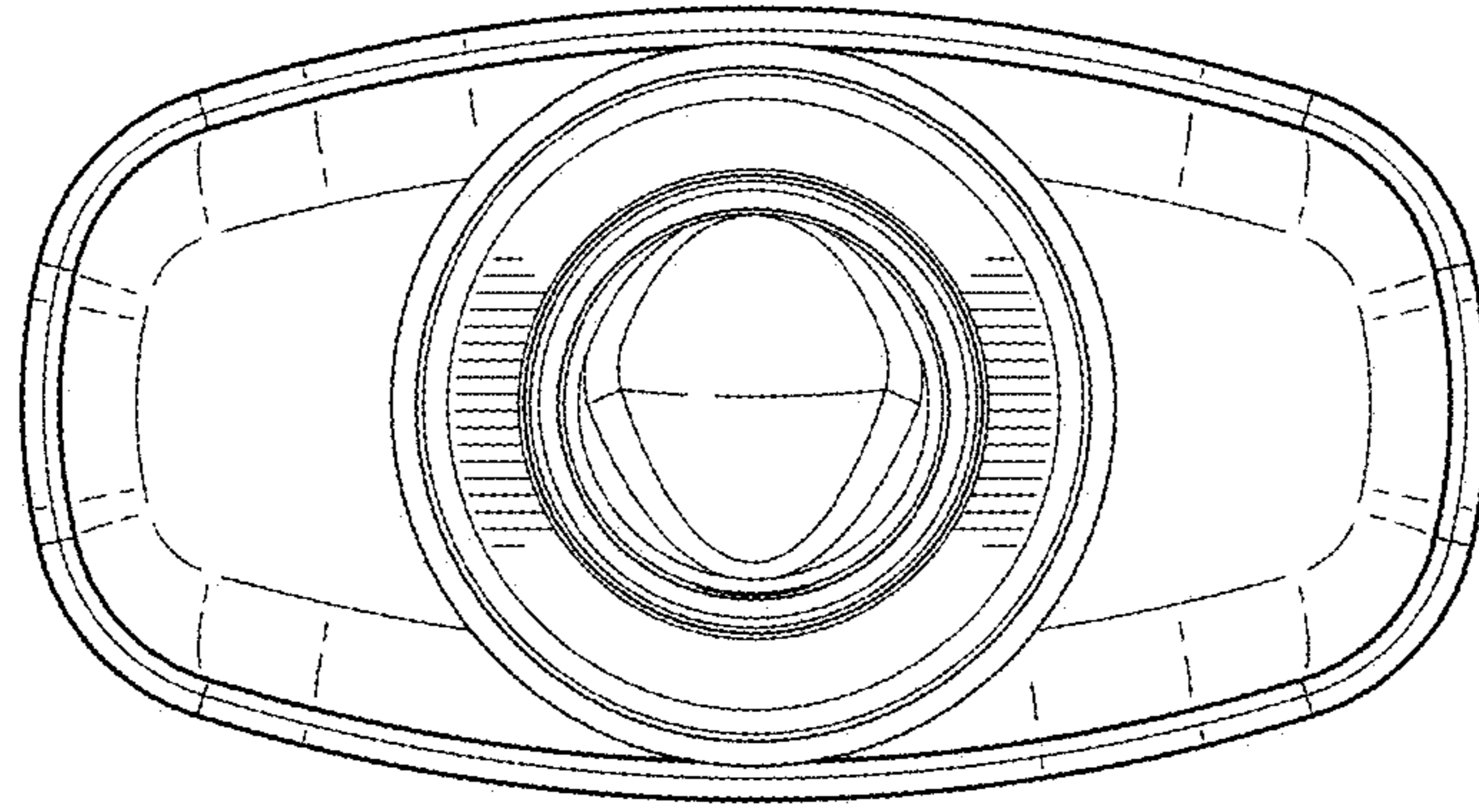


FIG. 20

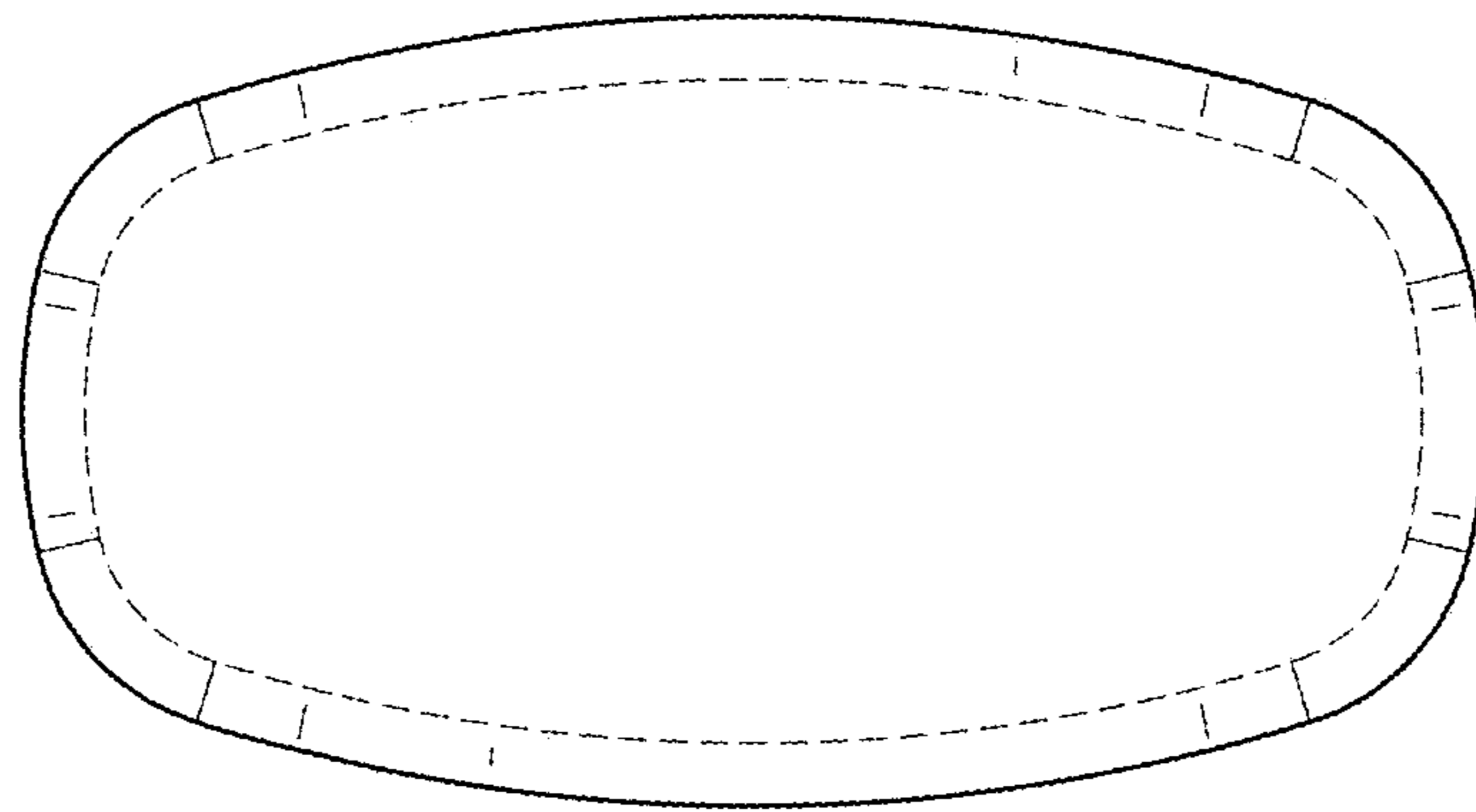


FIG. 21

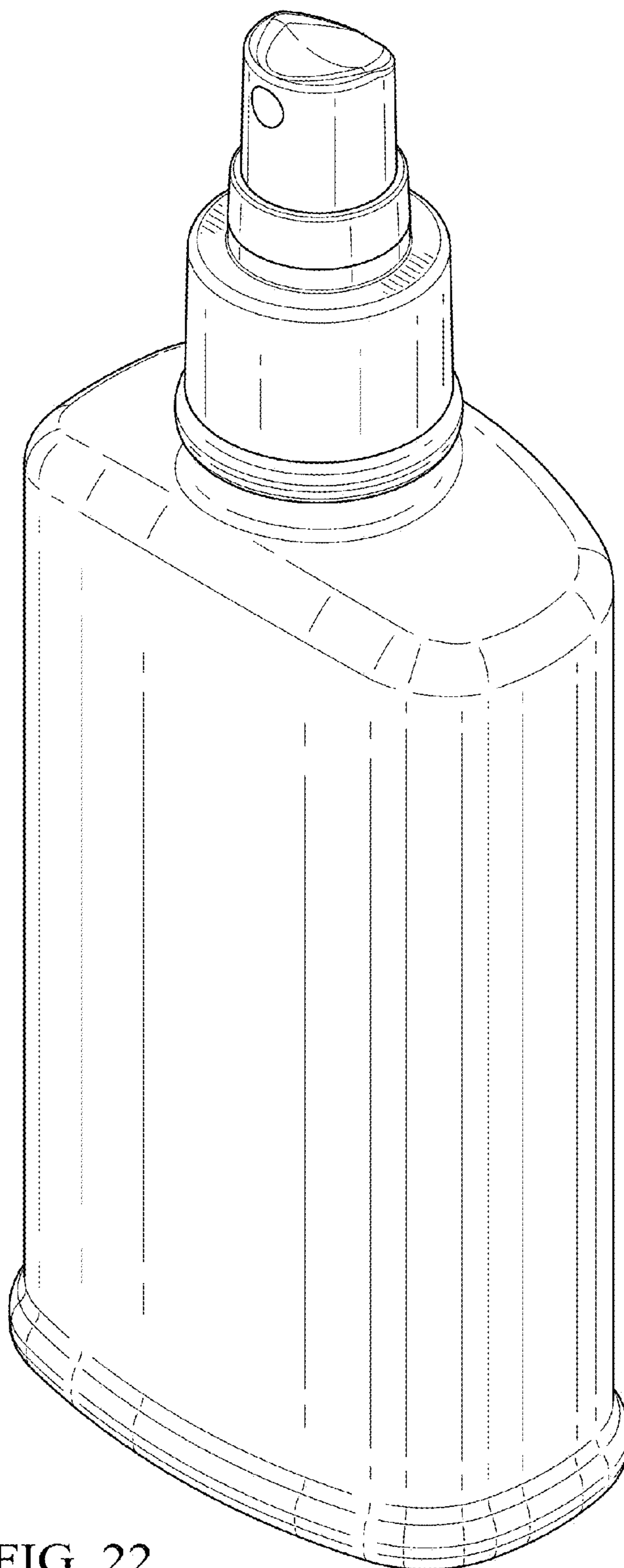


FIG. 22

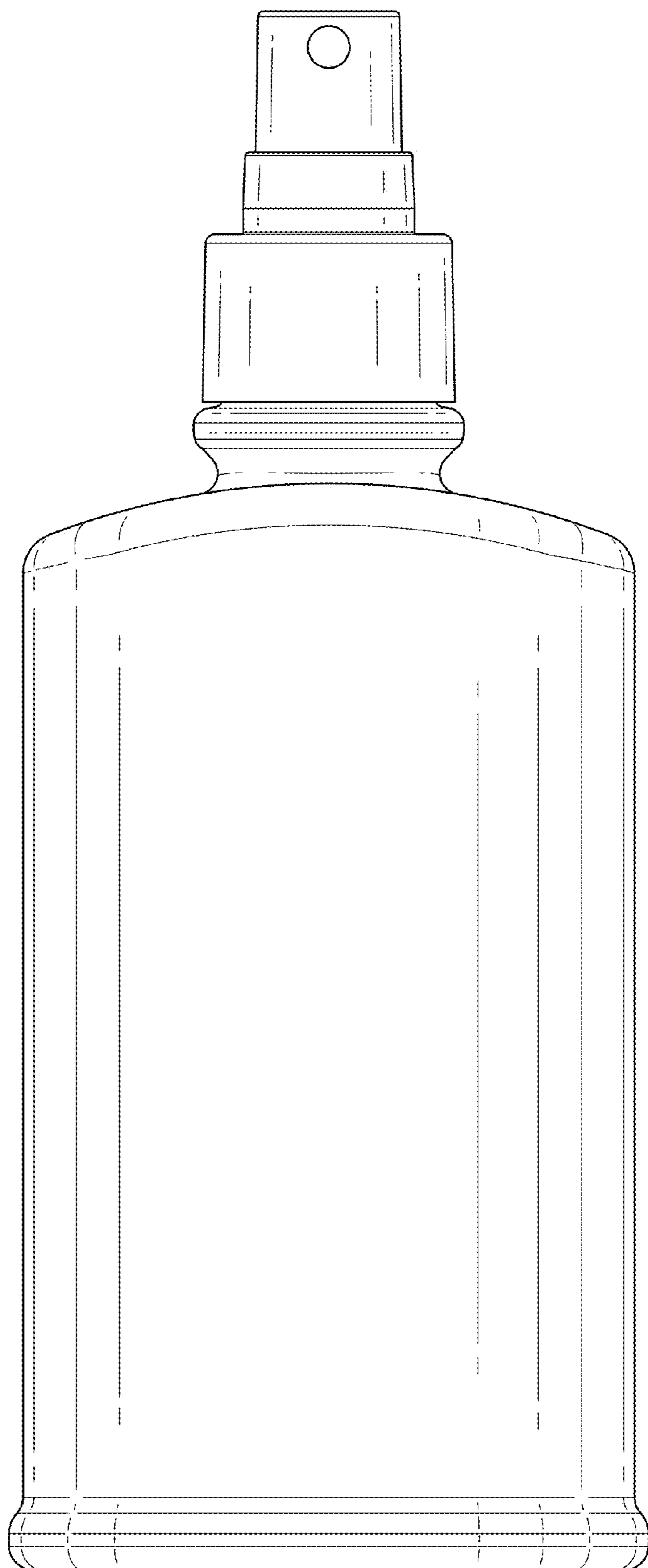


FIG. 23

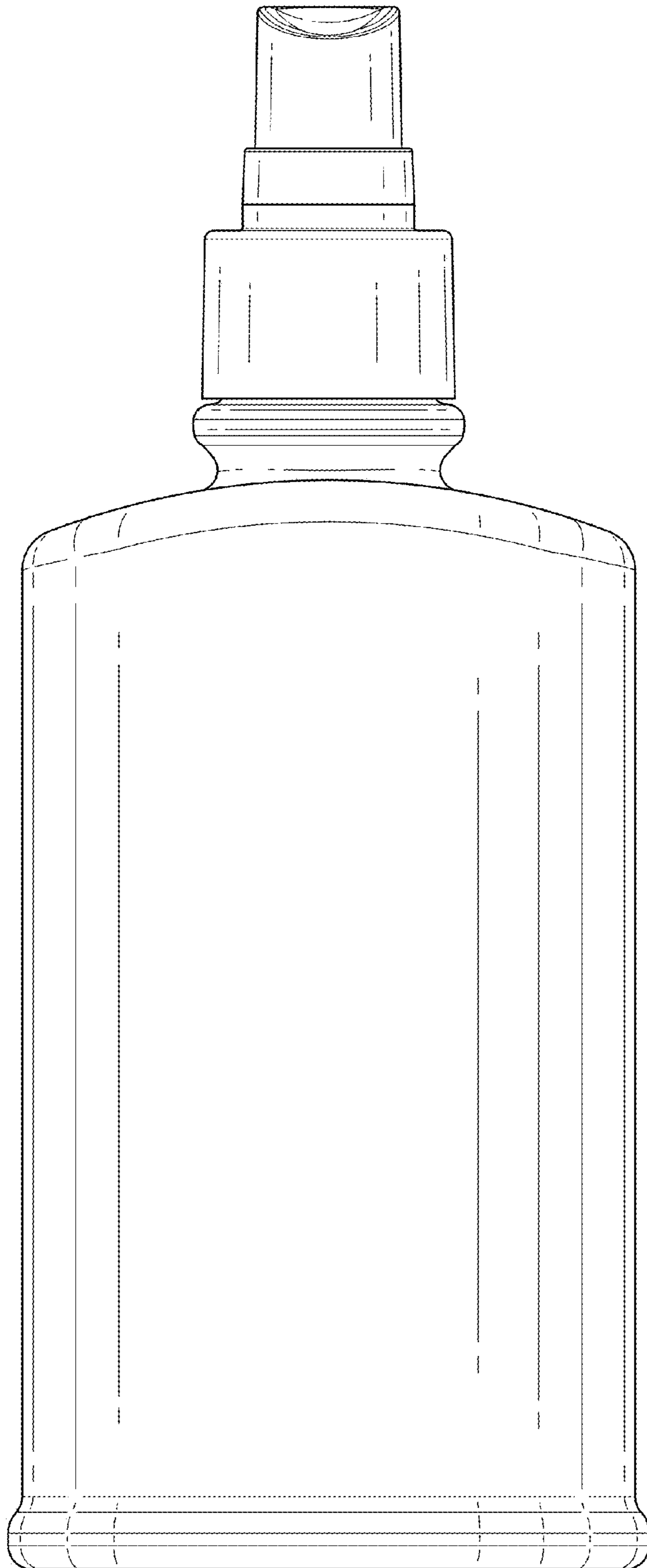


FIG. 24

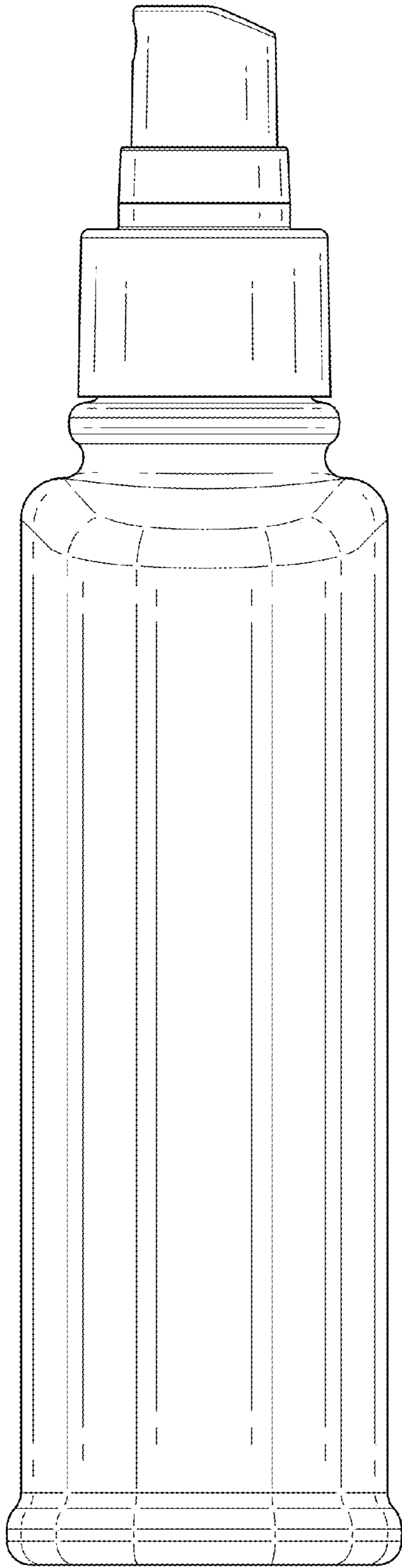


FIG. 25

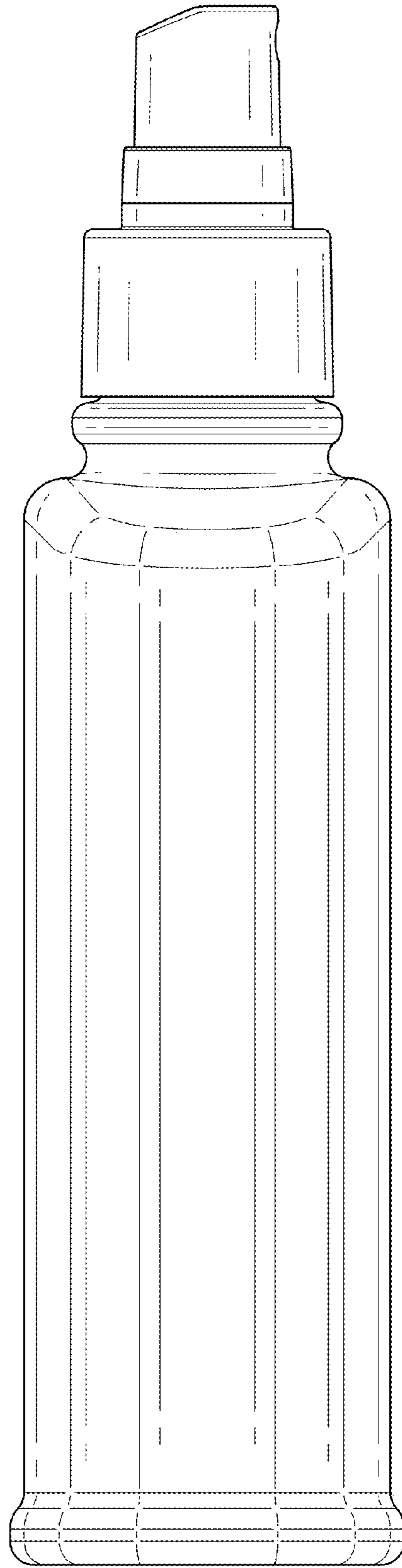


FIG. 26

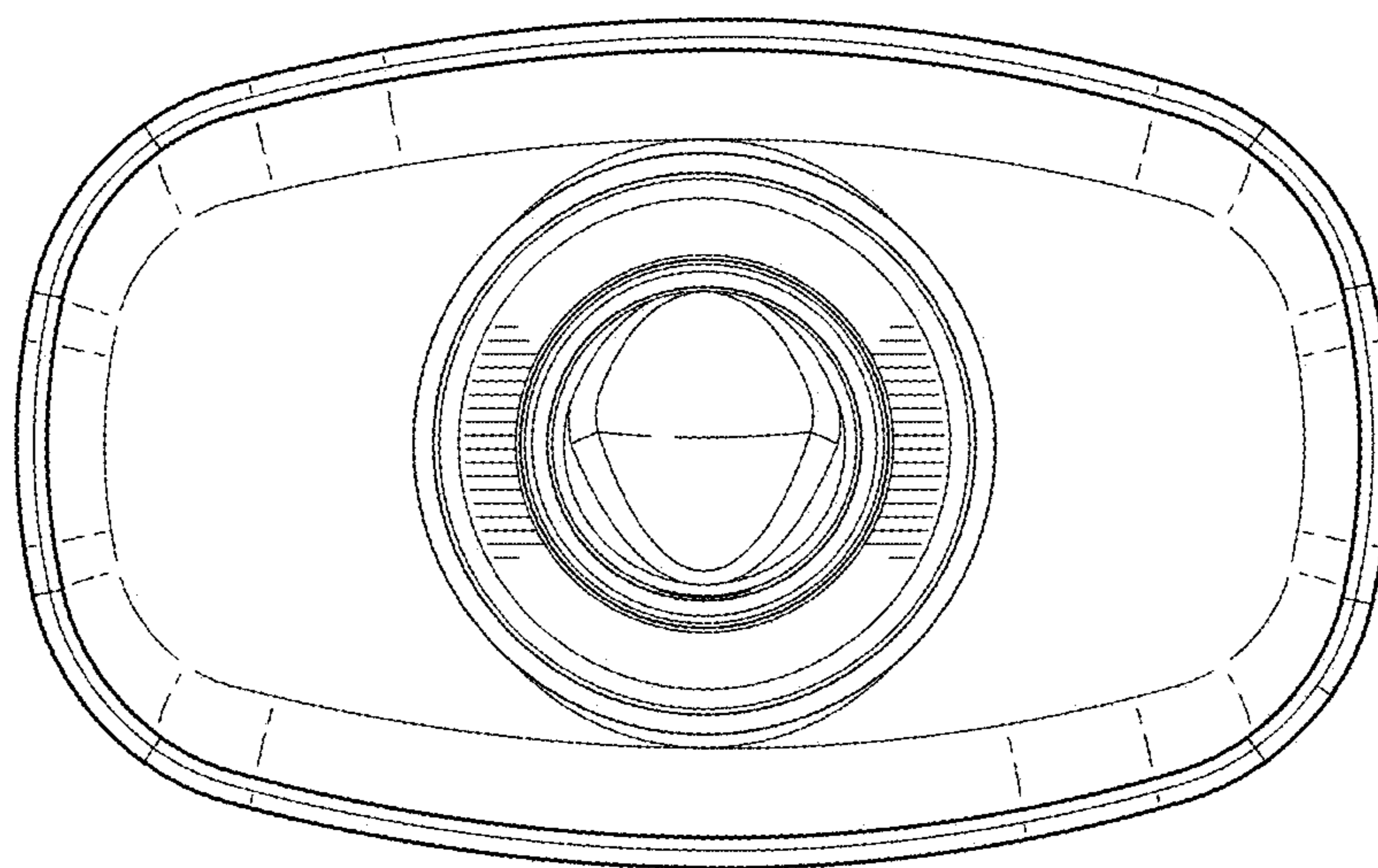


FIG. 27

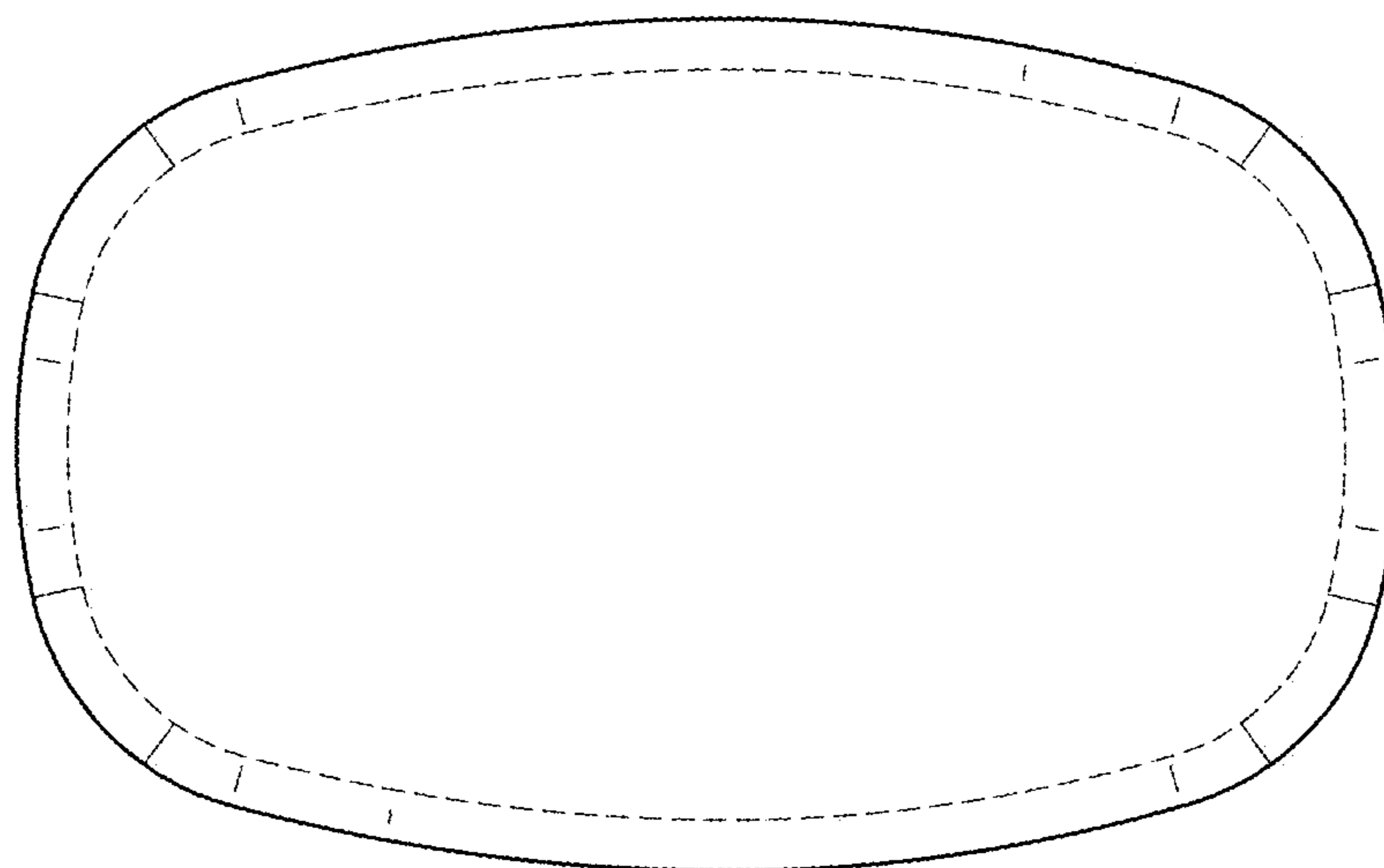


FIG. 28