



US00D758868S

(12) **United States Design Patent**
Bretschneider

(10) **Patent No.:** **US D758,868 S**
(45) **Date of Patent:** **** Jun. 14, 2016**

- (54) **BEVERAGE CONTAINER**
- (71) Applicant: **Ken Bretschneider**, Lindon, UT (US)
- (72) Inventor: **Ken Bretschneider**, Lindon, UT (US)
- (**) Term: **14 Years**
- (21) Appl. No.: **29/472,844**
- (22) Filed: **Nov. 15, 2013**
- (51) **LOC (10) Cl.** **09-01**
- (52) **U.S. Cl.**
USPC **D9/522**; D9/520; D9/575
- (58) **Field of Classification Search**
USPC D9/516, 520, 522-523, 528, 530, 543,
D9/575, 715, 719; D3/202
CPC B65D 1/00; B65D 1/02; B65D 1/0223;
B65D 1/0261; B65D 1/0276; B65D 23/00;
B65D 23/12; B65D 23/14; B65D 2203/12;
B65D 2501/00; B65D 2501/0009; B65D
2501/0081; F21Y 2101/02
See application file for complete search history.

6,254,247	B1 *	7/2001	Carson	A47G 19/2227	359/32
D562,138	S *	2/2008	Warner	D9/522	
D633,803	S *	3/2011	Murphy	D9/516	
D649,883	S *	12/2011	Foster	D9/719	
D650,294	S *	12/2011	Foster	D9/719	
2014/0268666	A1 *	9/2014	Bretschneider	F21V 33/0036	362/101

* cited by examiner

Primary Examiner — Dana L Meyrow
(74) *Attorney, Agent, or Firm* — Phillips Ryther & Winchester; Jared L Cherry

(57) **CLAIM**
I claim the ornamental design for a beverage container, as shown and described.

DESCRIPTION

FIG. 1 is a front perspective view of a beverage container from a front side showing my new design;
FIG. 2 is a rear perspective view thereof;
FIG. 3 is a top plan view thereof;
FIG. 4 is a bottom plan view thereof;
FIG. 5 is a side view thereof;
FIG. 6 is cross-sectional view thereof taken along the line 6-6 of FIG. 2;
FIG. 7 is a cross-sectional view thereof taken along the line 7-7 of FIG. 2; and,
FIG. 8 is a cross-sectional view thereof taken along the line 8-8 of FIG. 2.
The portions of the drawings shown in broken lines form no part of the claimed design.

1 Claim, 8 Drawing Sheets

(56) **References Cited**

U.S. PATENT DOCUMENTS

D47,640	S *	7/1915	Carver	D9/522
D255,217	S *	6/1980	Plummer	D9/522
D282,909	S *	3/1986	Biesecker	D9/522
5,244,106	A *	9/1993	Takacs	B65D 23/12
					215/12.1
D340,864	S *	11/1993	De Rothschild	D9/522
D372,194	S *	7/1996	Dallaire	D9/520
D382,808	S *	8/1997	Fenton	D9/522

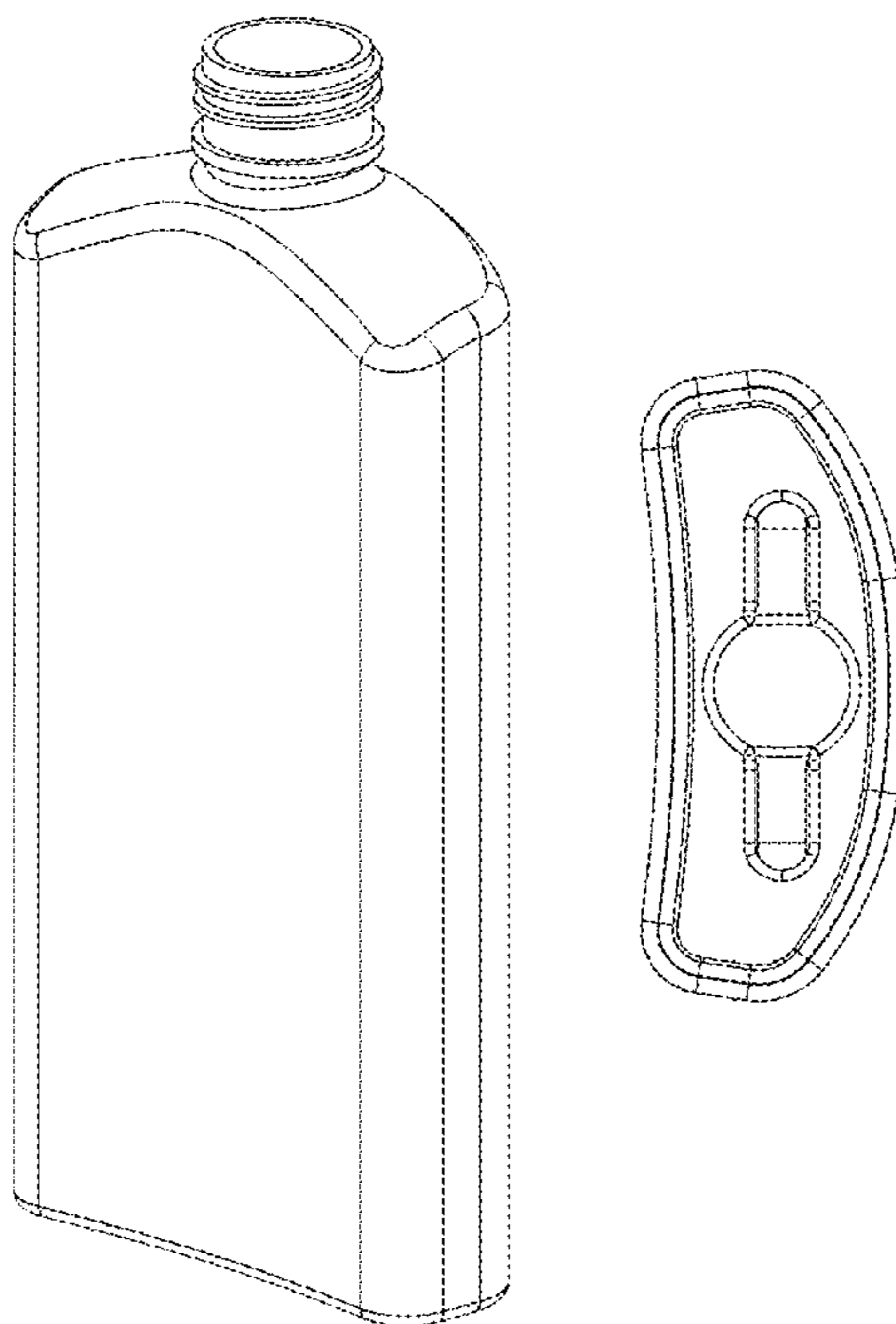


Figure 1

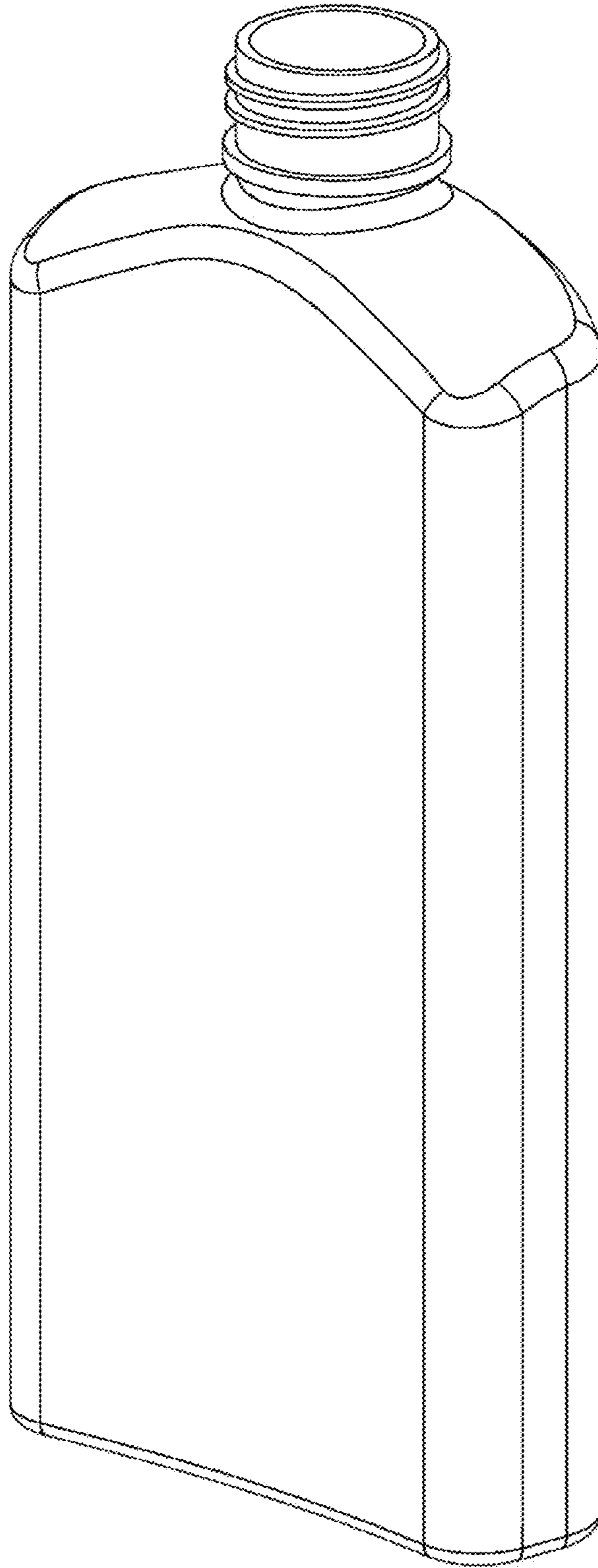


Figure 2

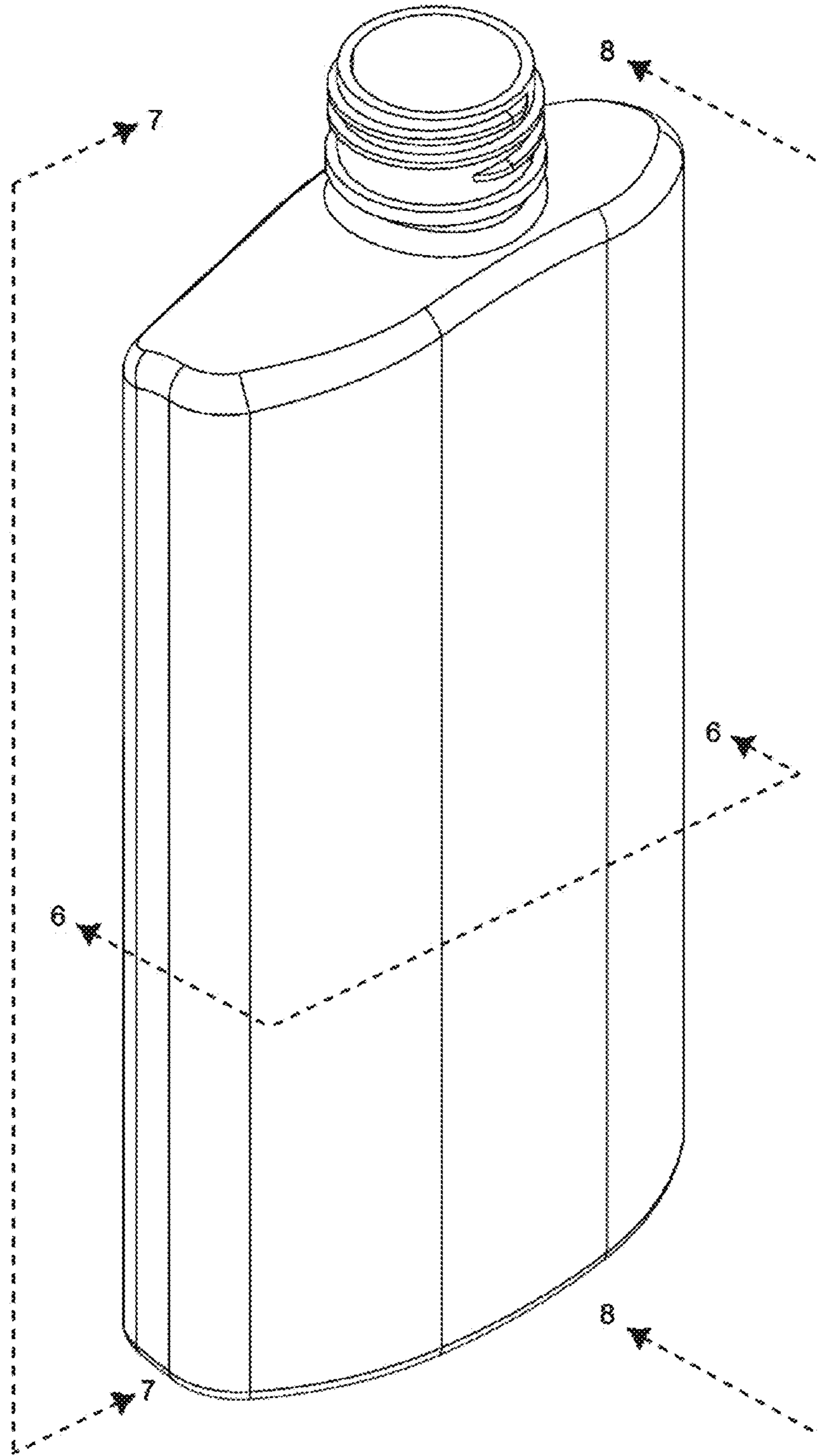


Figure 3

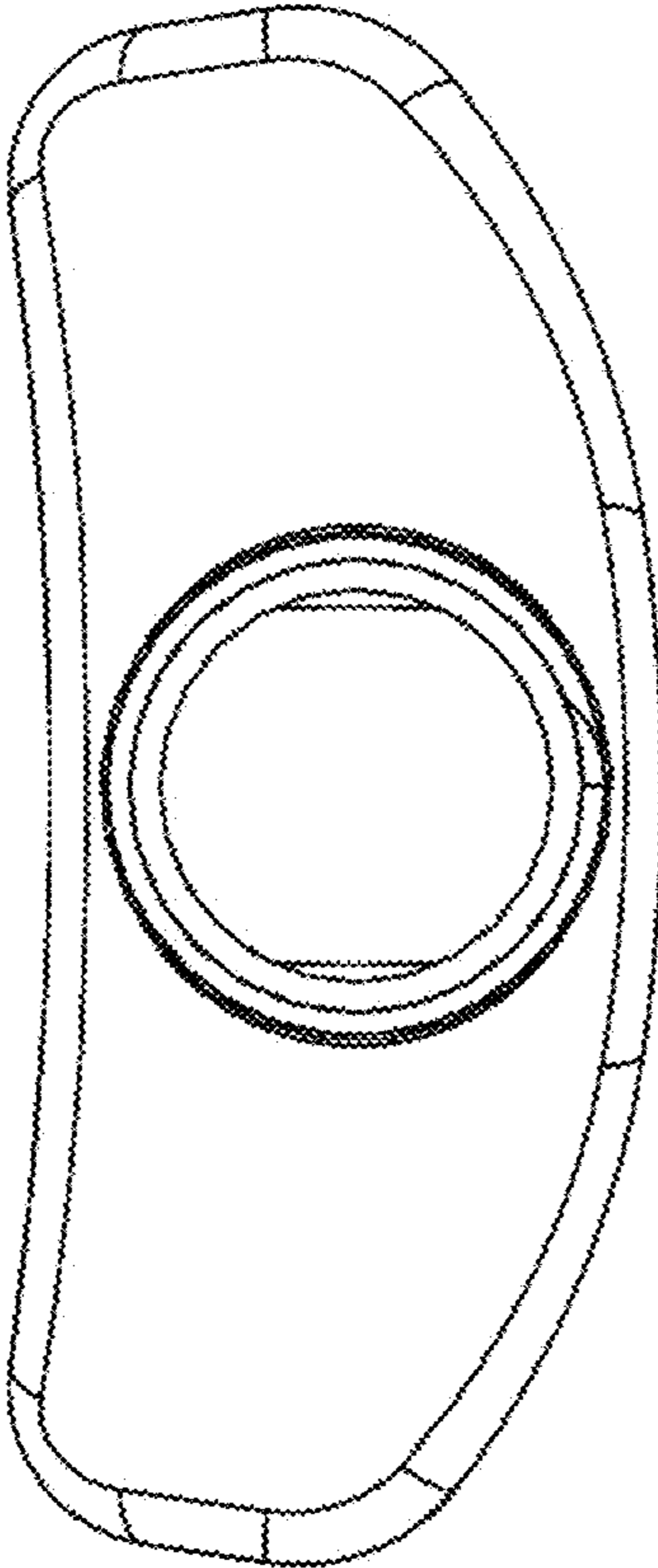


Figure 4

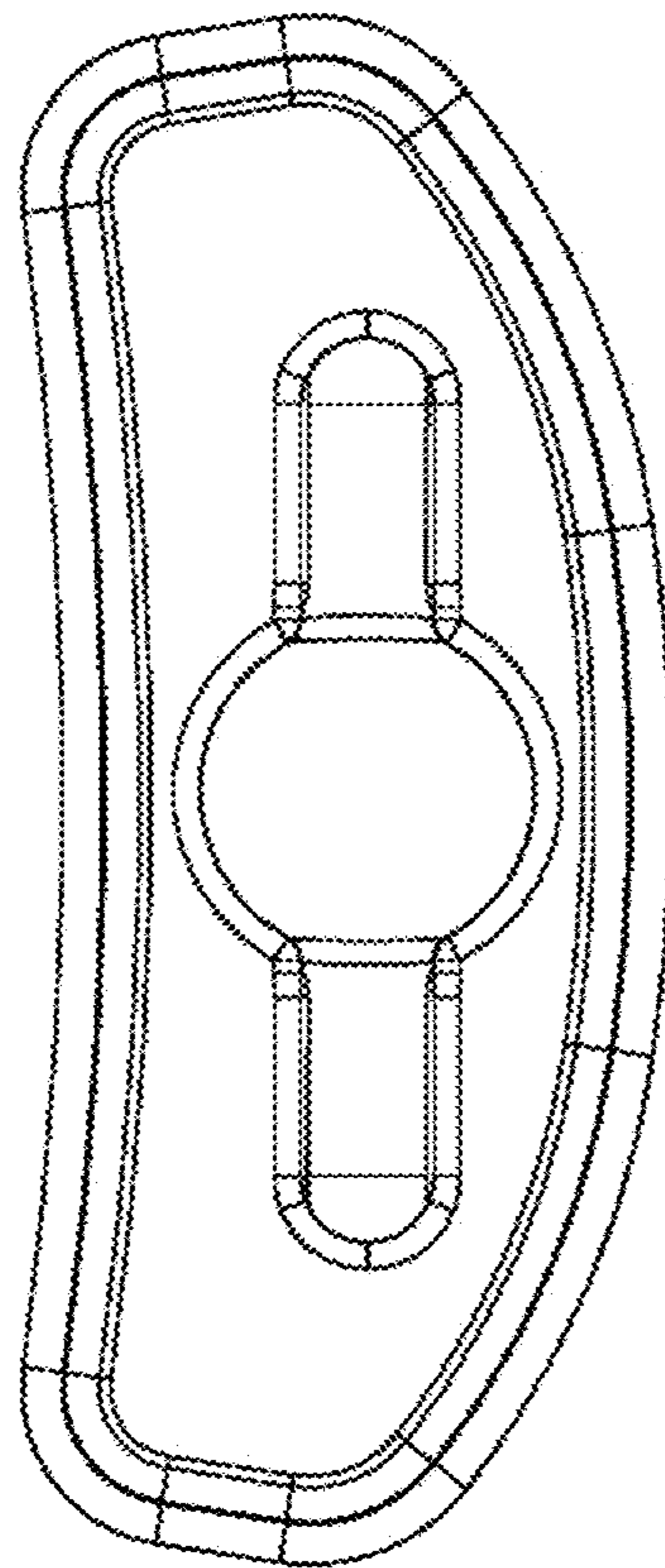


Figure 5

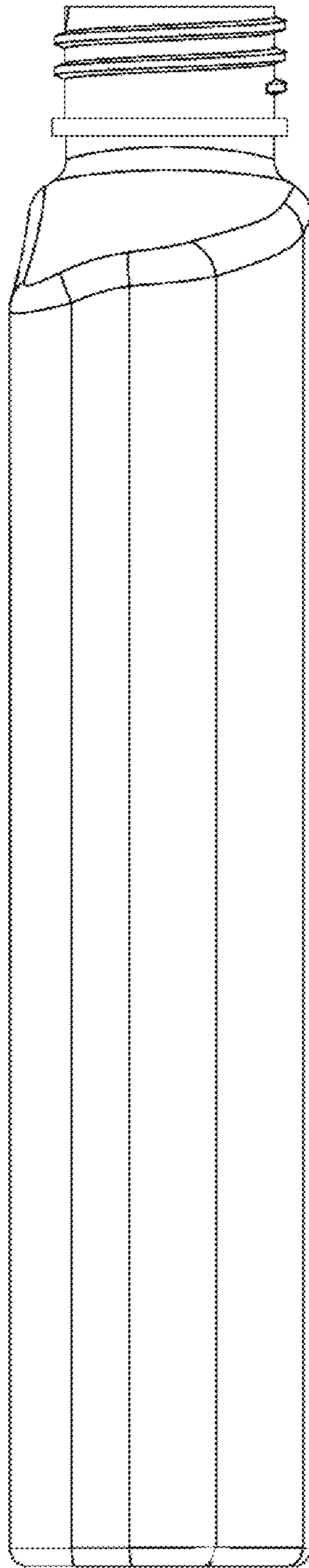


Figure 6

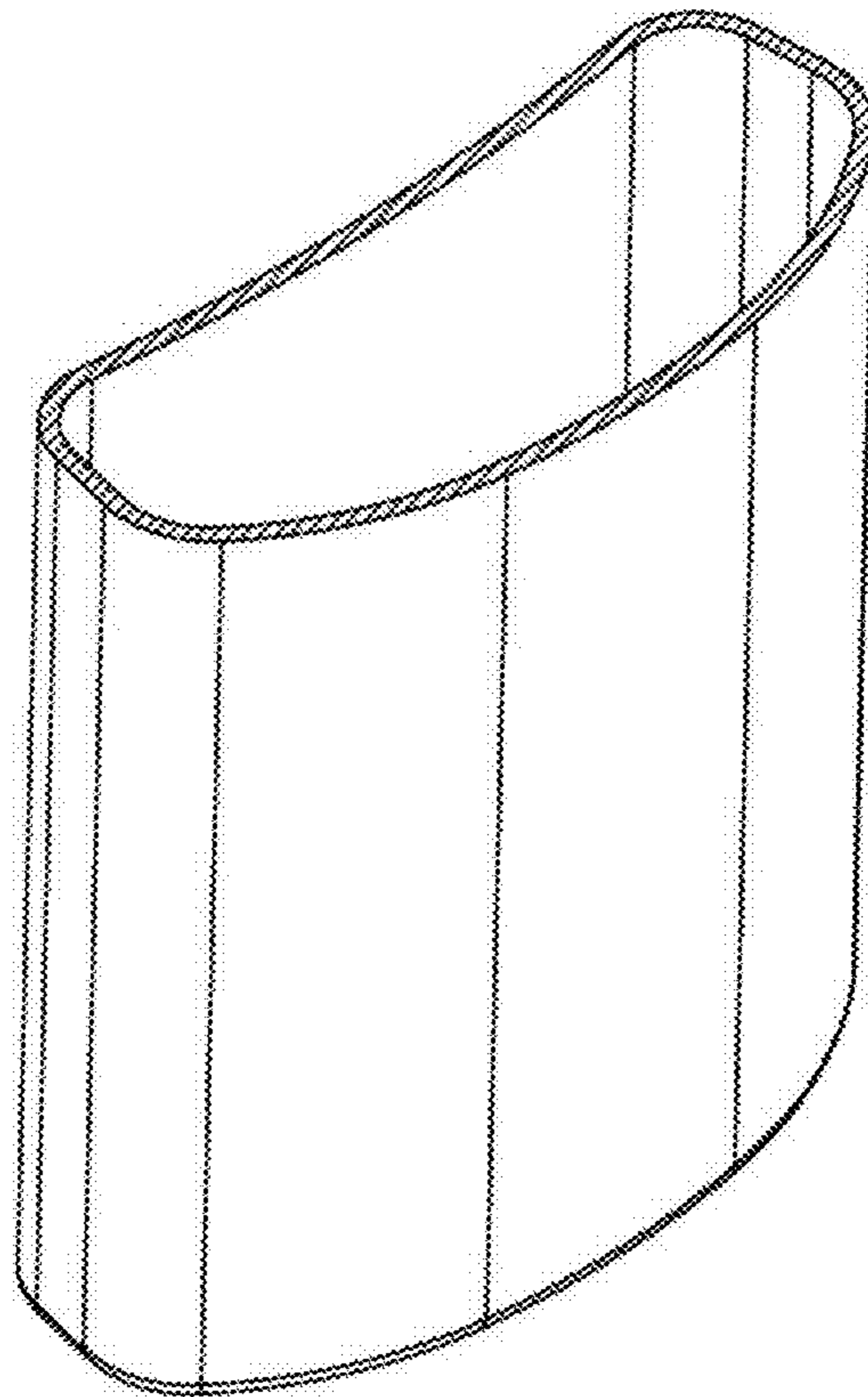


Figure 7

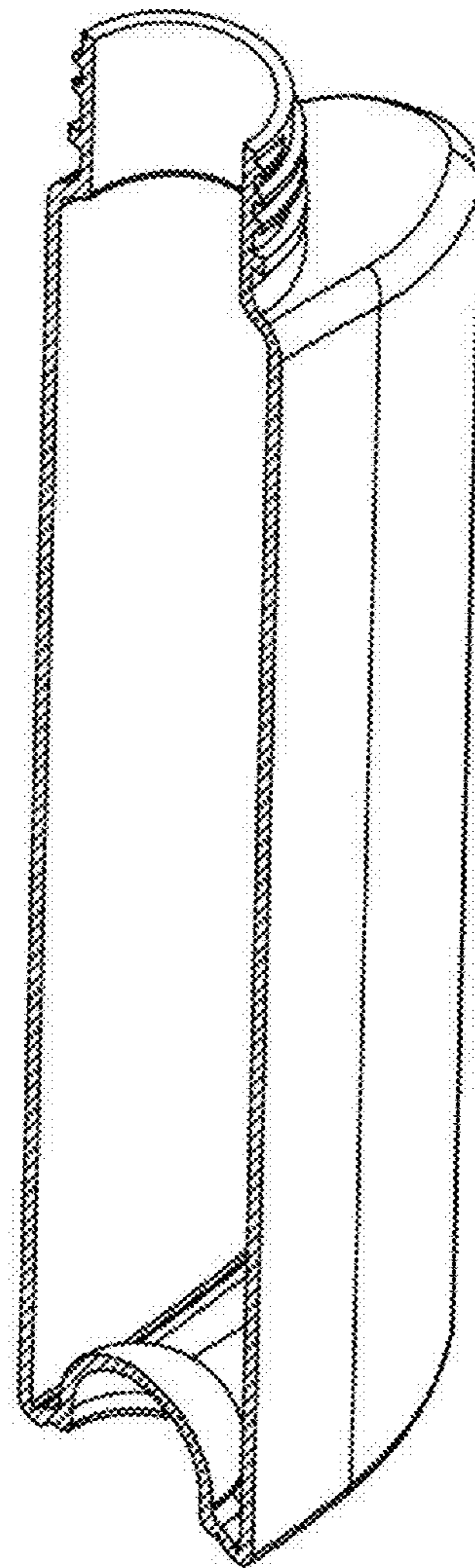


Figure 8

