



US00D758867S

(12) **United States Design Patent**  
**Tsai**

(10) **Patent No.:** **US D758,867 S**  
(45) **Date of Patent:** **\*\* Jun. 14, 2016**

- (54) **COSMETICS CONTAINER WITH SEE-THROUGH CAP**
- (71) Applicant: **Markwins International Corporation**,  
City of Industry, CA (US)
- (72) Inventor: **Hsin-Ling Tsai**, City of Industry, CA  
(US)
- (73) Assignee: **Markwins International Corporation**,  
City of Industry, CA (US)

(\*\*) Term: **15 Years**

(21) Appl. No.: **29/547,607**

(22) Filed: **Dec. 4, 2015**

(51) **LOC (10) Cl.** ..... **09-01**

(52) **U.S. Cl.**  
USPC ..... **D9/519**; D9/522; D9/529; D9/552;  
D9/571; D9/435; D9/444; D9/454; D28/89

(58) **Field of Classification Search**  
USPC ..... D9/516, 519, 521–522, 529, 537–540,  
D9/545, 549, 552, 565, 571, 686, 689,  
D9/691; 215/381–385; 220/660, 662, 669,  
220/675; D23/366; D24/115; D28/76, 89  
See application file for complete search history.

(56) **References Cited**

U.S. PATENT DOCUMENTS

1,755,754	A *	4/1930	Wappler	.....	A61H 35/04 604/37
2,717,727	A *	9/1955	Robb	.....	B65D 47/261 222/212
2,879,768	A *	3/1959	Anderson	.....	A61M 3/0283 604/37
3,982,651	A *	9/1976	Braun	.....	B65D 41/17 220/260
4,124,135	A *	11/1978	Weder	.....	B65D 81/365 220/4.25 X
D323,110	S *	1/1992	Simms	.....	D9/529 X
D425,785	S *	5/2000	Hirato	.....	D9/689 X
D434,314	S *	11/2000	Vignon	.....	D9/504
D449,517	S	10/2001	Vignon		

D449,777	S *	10/2001	Vignon	.....	D9/504
D465,149	S *	11/2002	Bennett	.....	D9/691
D477,535	S	7/2003	Thorpe		
D509,851	S *	9/2005	Huang	.....	D19/163
D510,134	S	9/2005	Lablaine		
D534,430	S *	1/2007	Alameddine	.....	D9/519
D536,434	S *	2/2007	DongSheng	.....	D23/366
D557,606	S *	12/2007	Rashid	.....	D9/519 X
D567,666	S *	4/2008	Hessmer	.....	D9/686
D575,643	S	8/2008	Florio		
D577,428	S *	9/2008	Sun	.....	D23/366
D613,844	S *	4/2010	Jorgensen	.....	D23/366

(Continued)

*Primary Examiner* — Carol P Rademaker

(74) *Attorney, Agent, or Firm* — Danton K. Mak; Leech  
Tishman Fuscaldo & Lampl

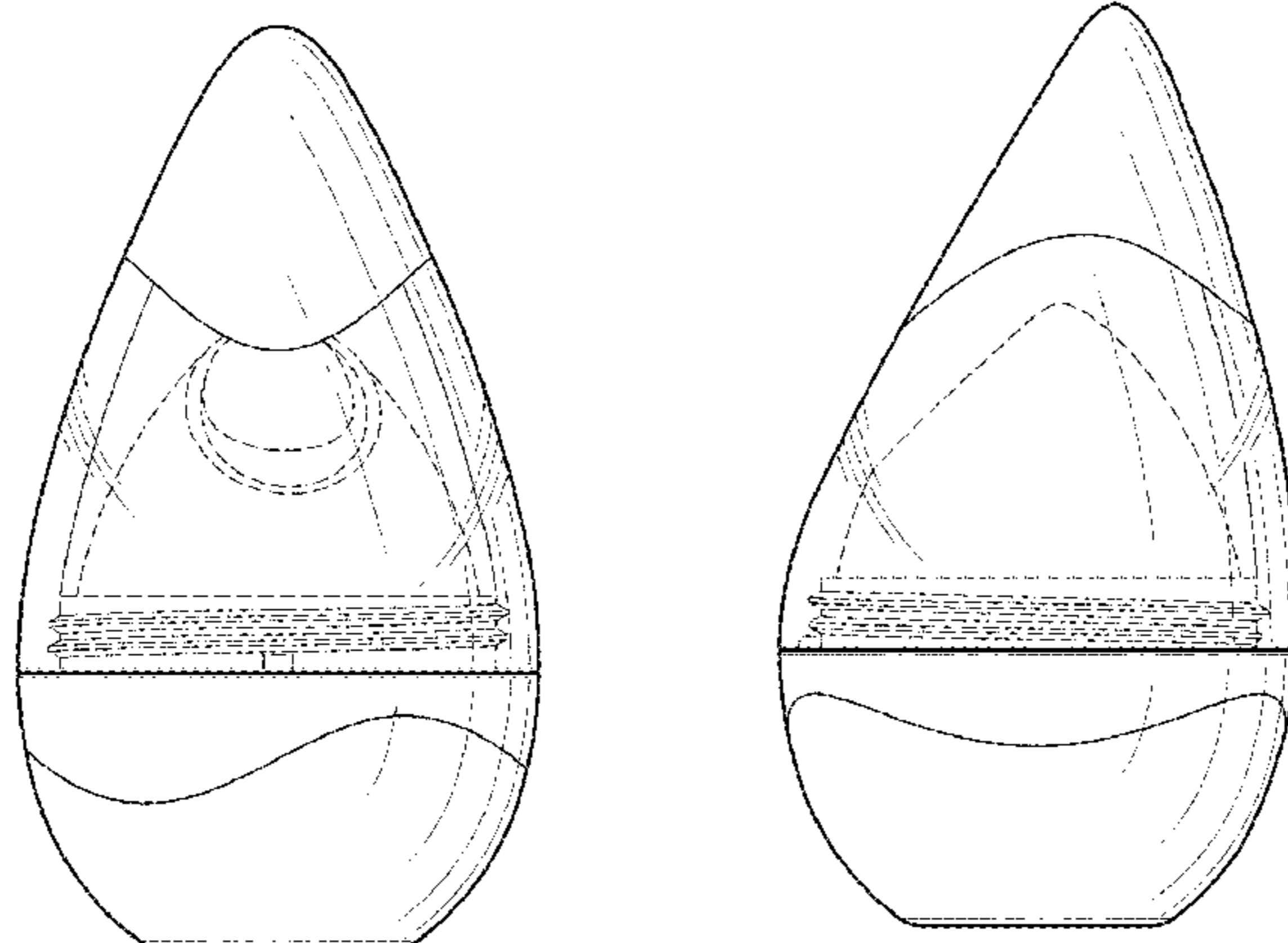
(57) **CLAIM**

I claim the ornamental design for a cosmetics container with  
see-through cap, as shown and described.

**DESCRIPTION**

FIG. 1 is a perspective view showing the cosmetics container with see-through cap design of the present invention.  
 FIG. 2 is a front plan view of the cosmetics container with see-through cap of FIG. 1;  
 FIG. 3 is a rear plan view of the cosmetics container with see-through cap of FIG. 1;  
 FIG. 4 is a left plan view of the cosmetics container with see-through cap of FIG. 1;  
 FIG. 5 is a right plan view of the cosmetics container with see-through cap of FIG. 1;  
 FIG. 6 is a top plan view of the cosmetics container with see-through cap of FIG. 1;  
 FIG. 7 is a bottom plan view of the cosmetics container with see-through cap of FIG. 1; and,  
 FIG. 8 is a perspective view of the cosmetics container with see-through cap of FIG. 1 with the cap removed.  
 The broken lines shown in the drawings are included for the purpose of illustrating portions of the design that form no part of the claimed design.

**1 Claim, 5 Drawing Sheets**



(56)

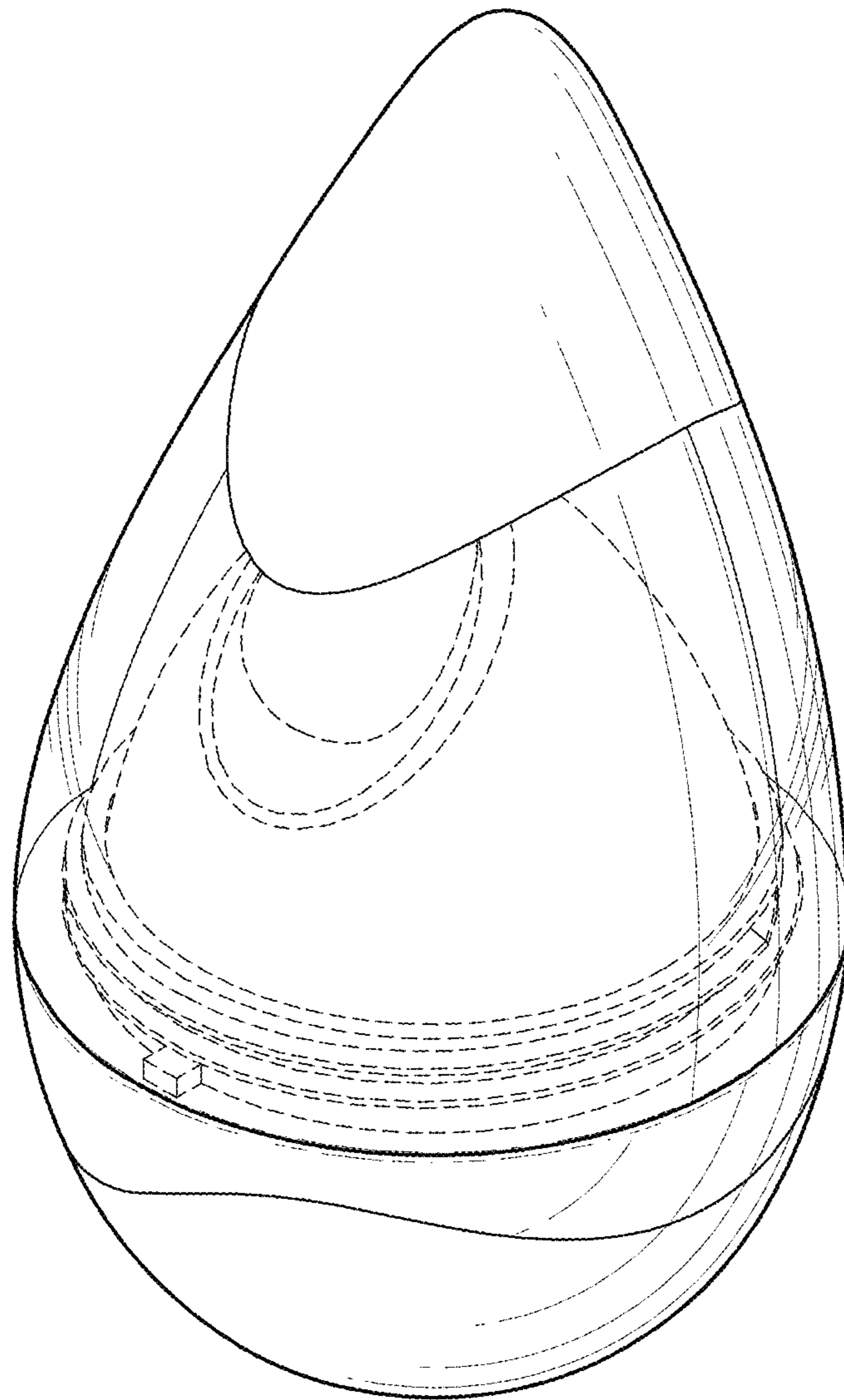
**References Cited**

U.S. PATENT DOCUMENTS

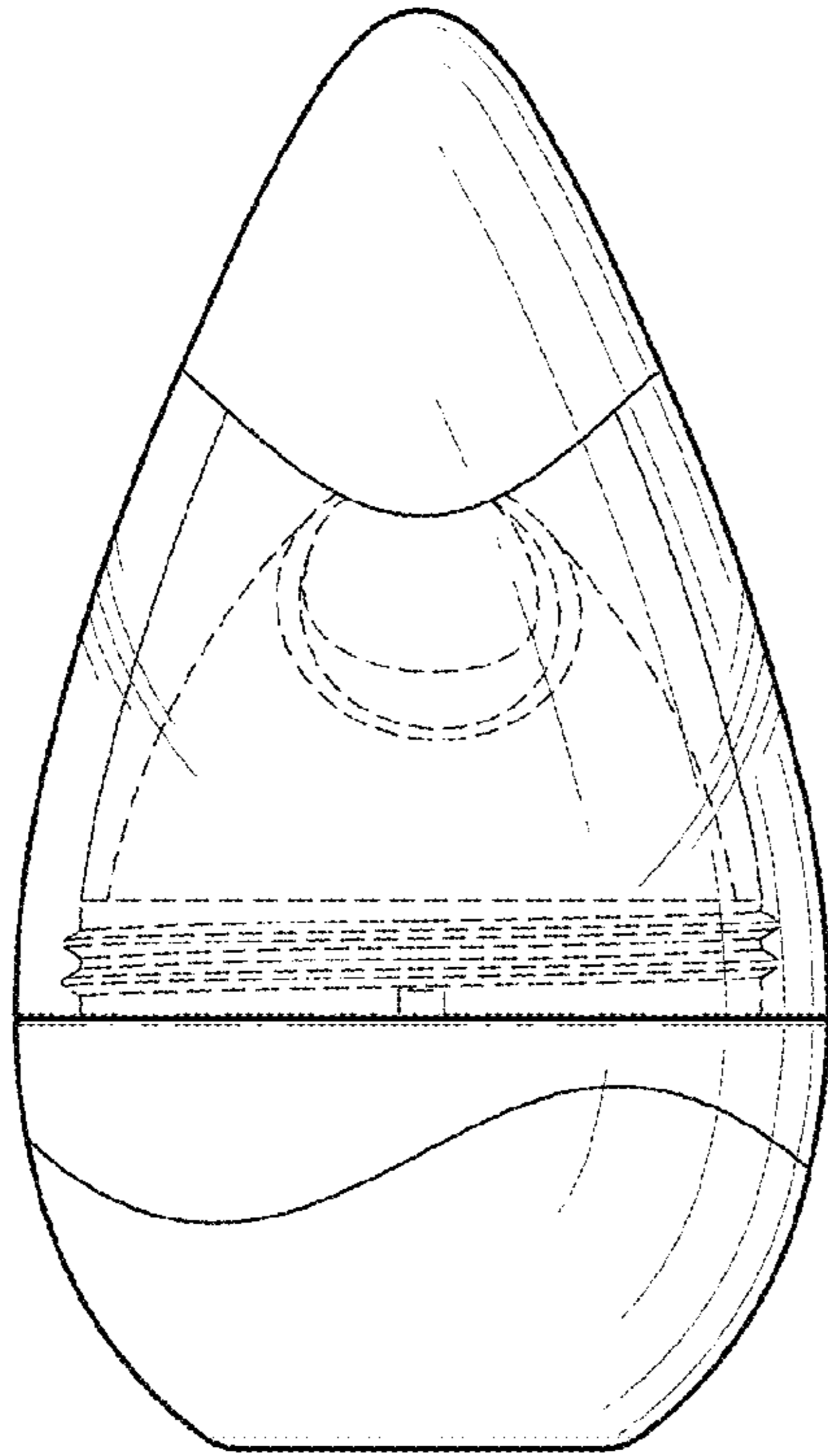
D616,307 S \* 5/2010 Legros ..... D9/454 X  
D644,939 S \* 9/2011 Teller ..... D9/726  
D653,547 S \* 2/2012 Canuto ..... D9/522 X  
D672,607 S \* 12/2012 Hainan ..... D7/300  
D694,122 S \* 11/2013 Kawai ..... D9/689

D710,544 S 8/2014 Shen  
D715,911 S \* 10/2014 Lin ..... D23/366  
D717,173 S 11/2014 Wechsler  
D720,064 S \* 12/2014 Li ..... D23/366  
D735,314 S \* 7/2015 Benamor ..... D23/366  
D748,475 S \* 2/2016 Hunter ..... D9/444  
2007/0108092 A1 5/2007 Minuto et al.

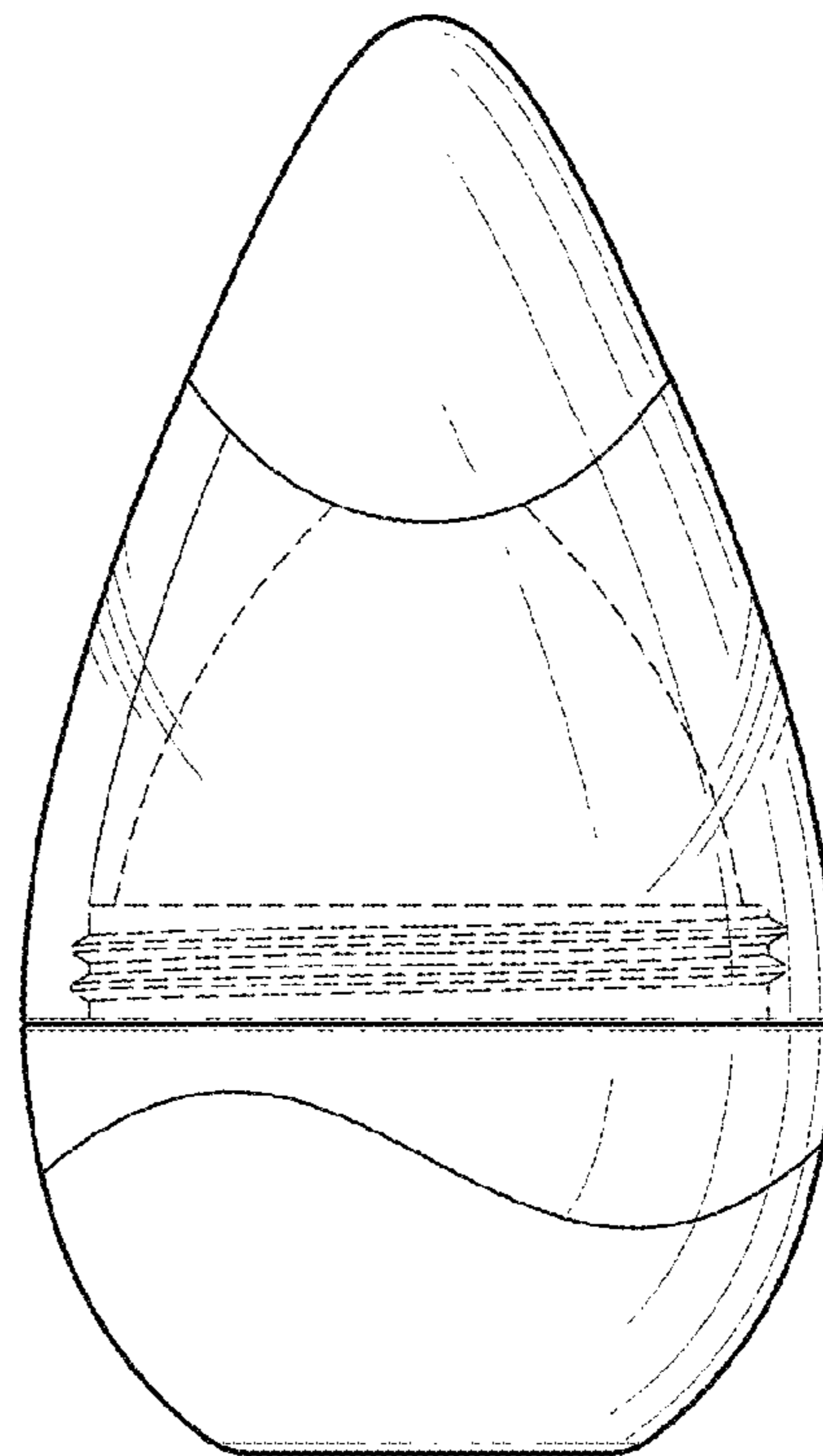
\* cited by examiner



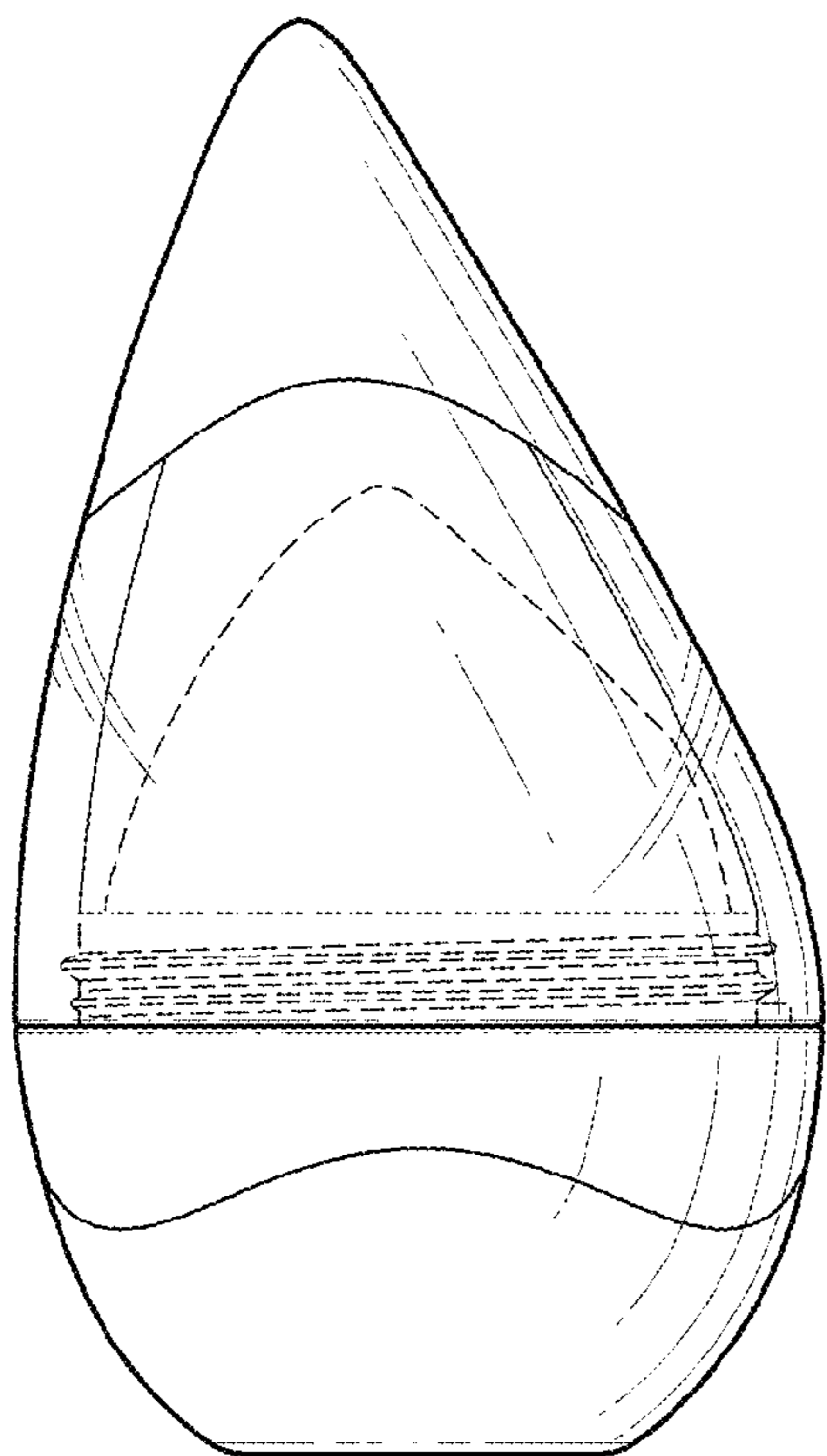
*FIG. 1*



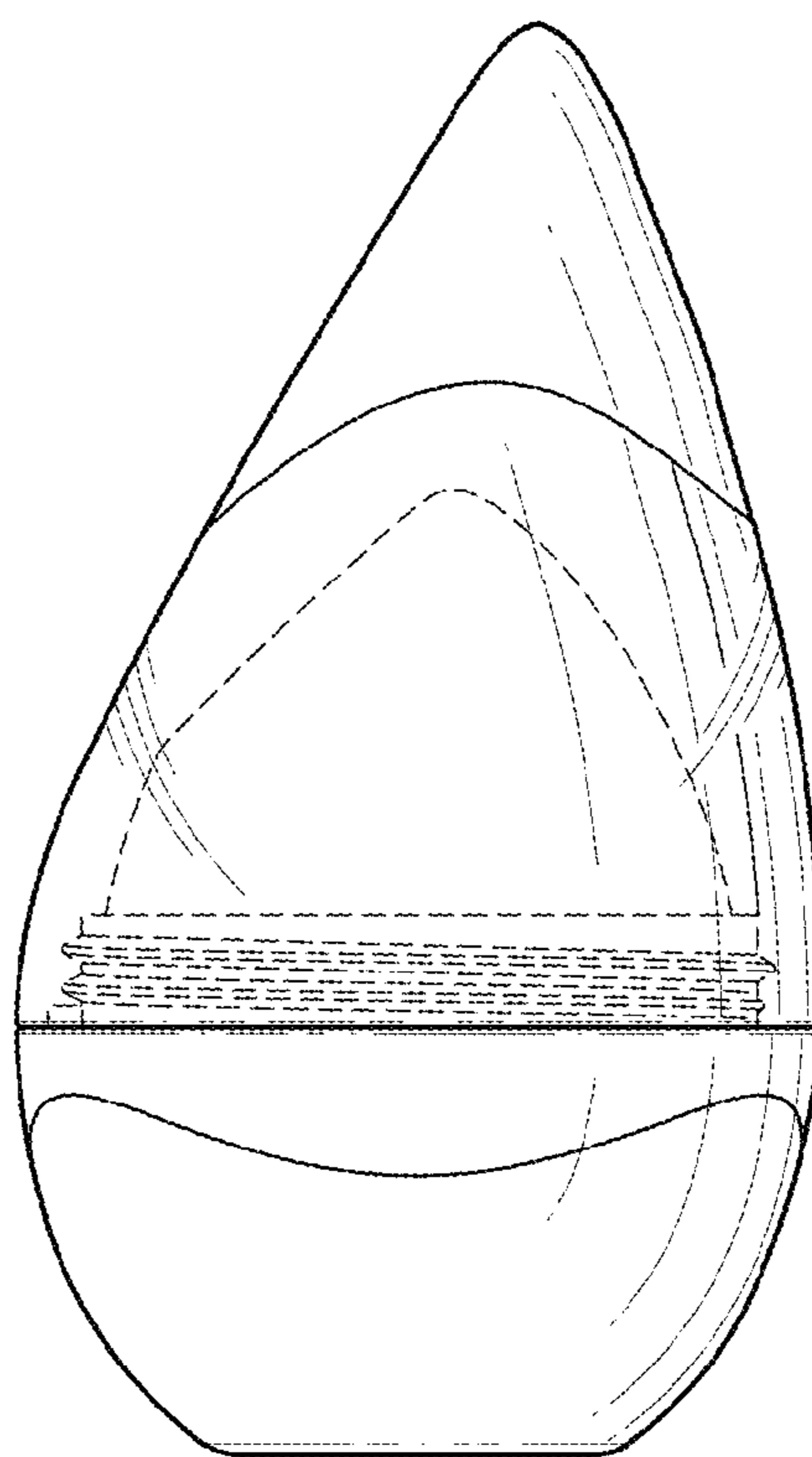
*FIG. 2*



*FIG. 3*

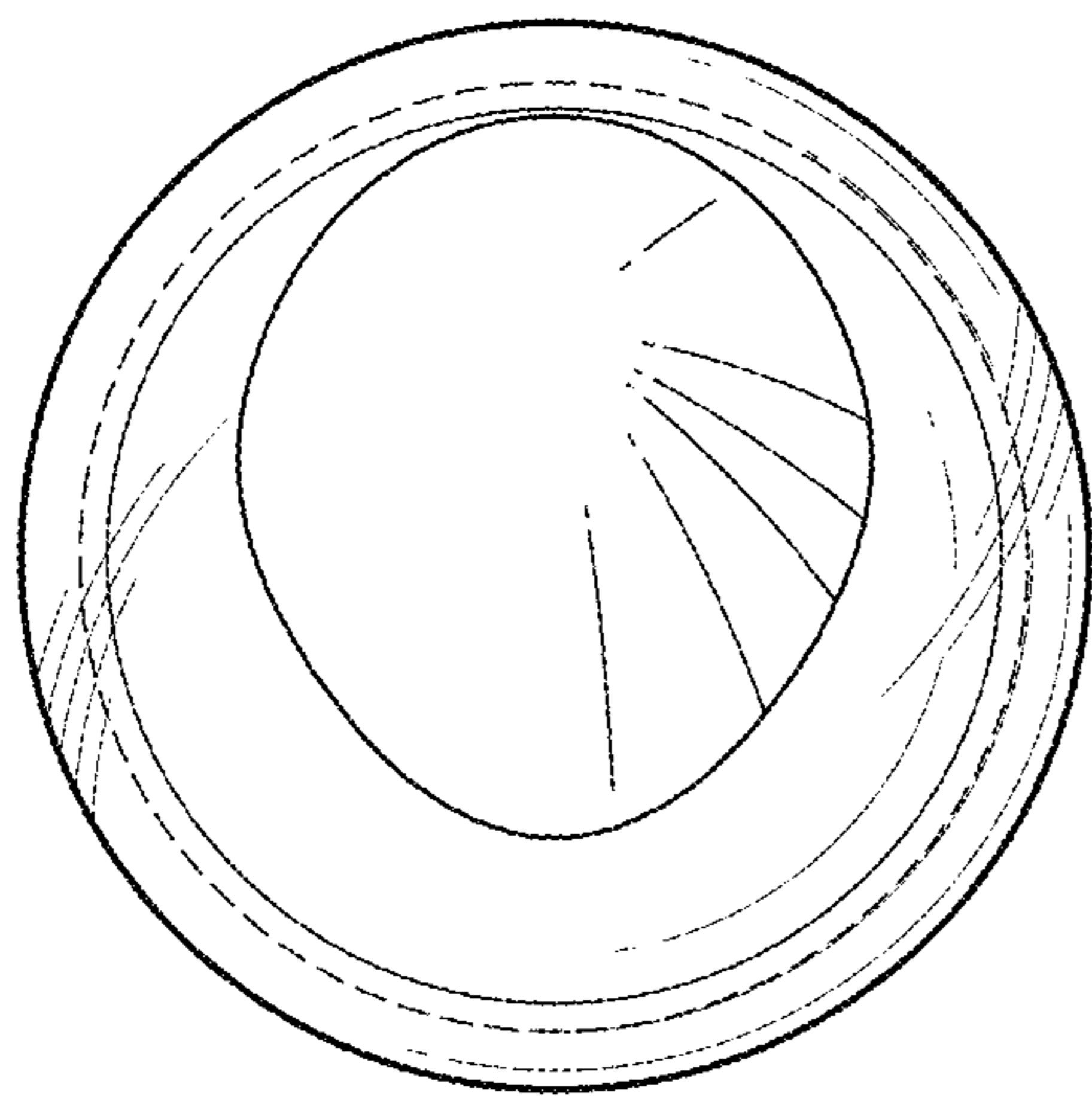


*FIG. 4*

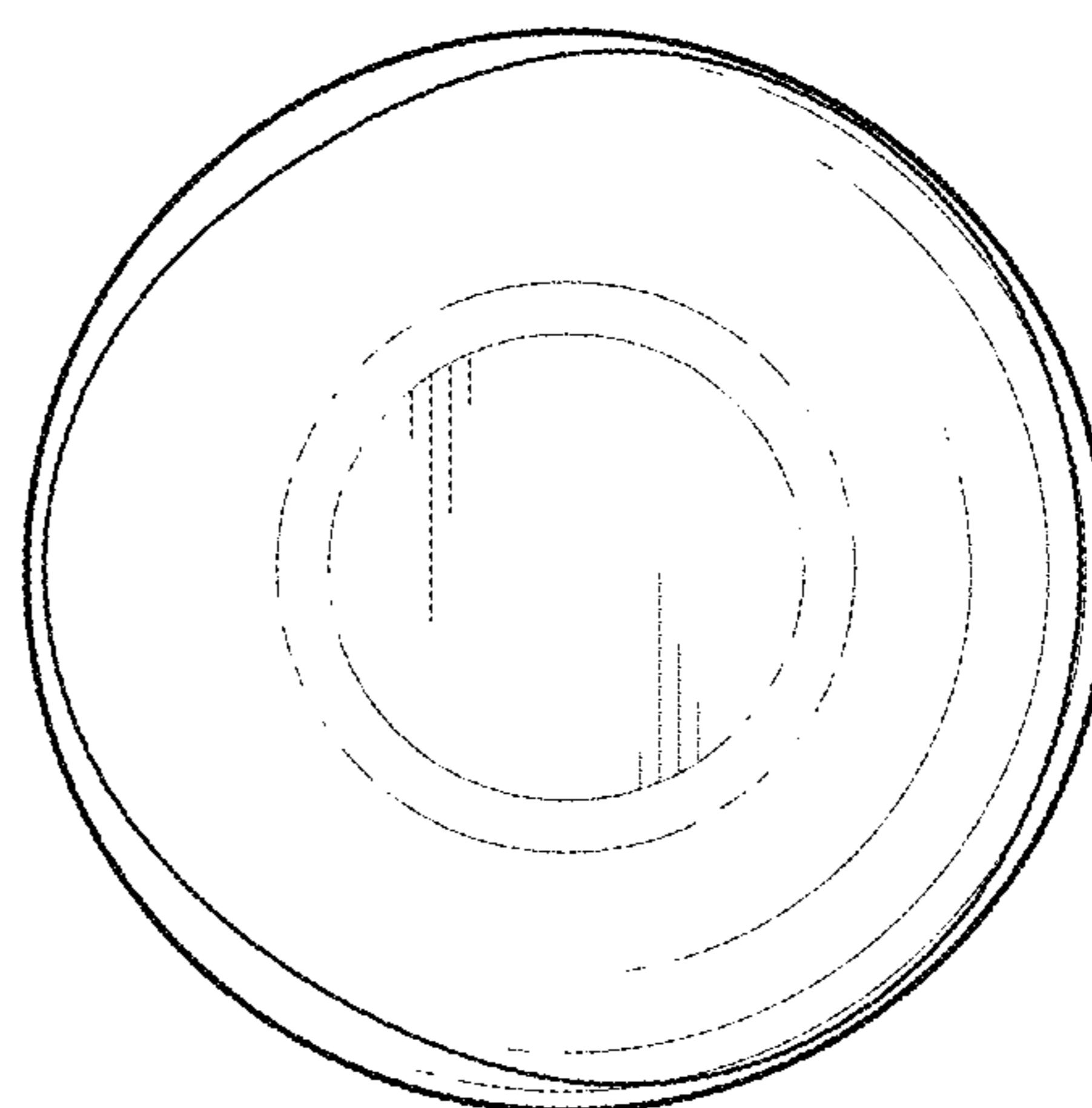


*FIG. 5*

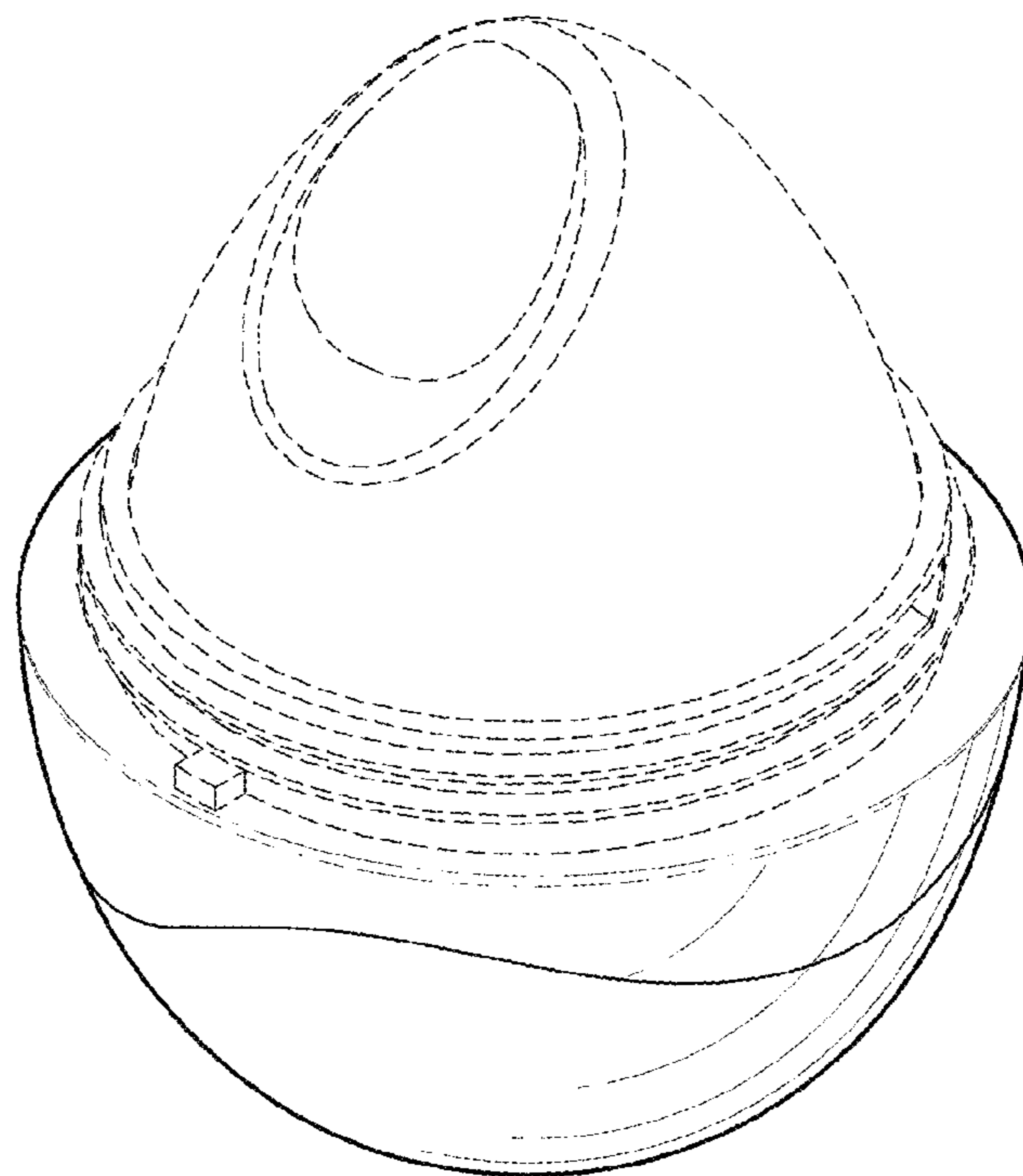
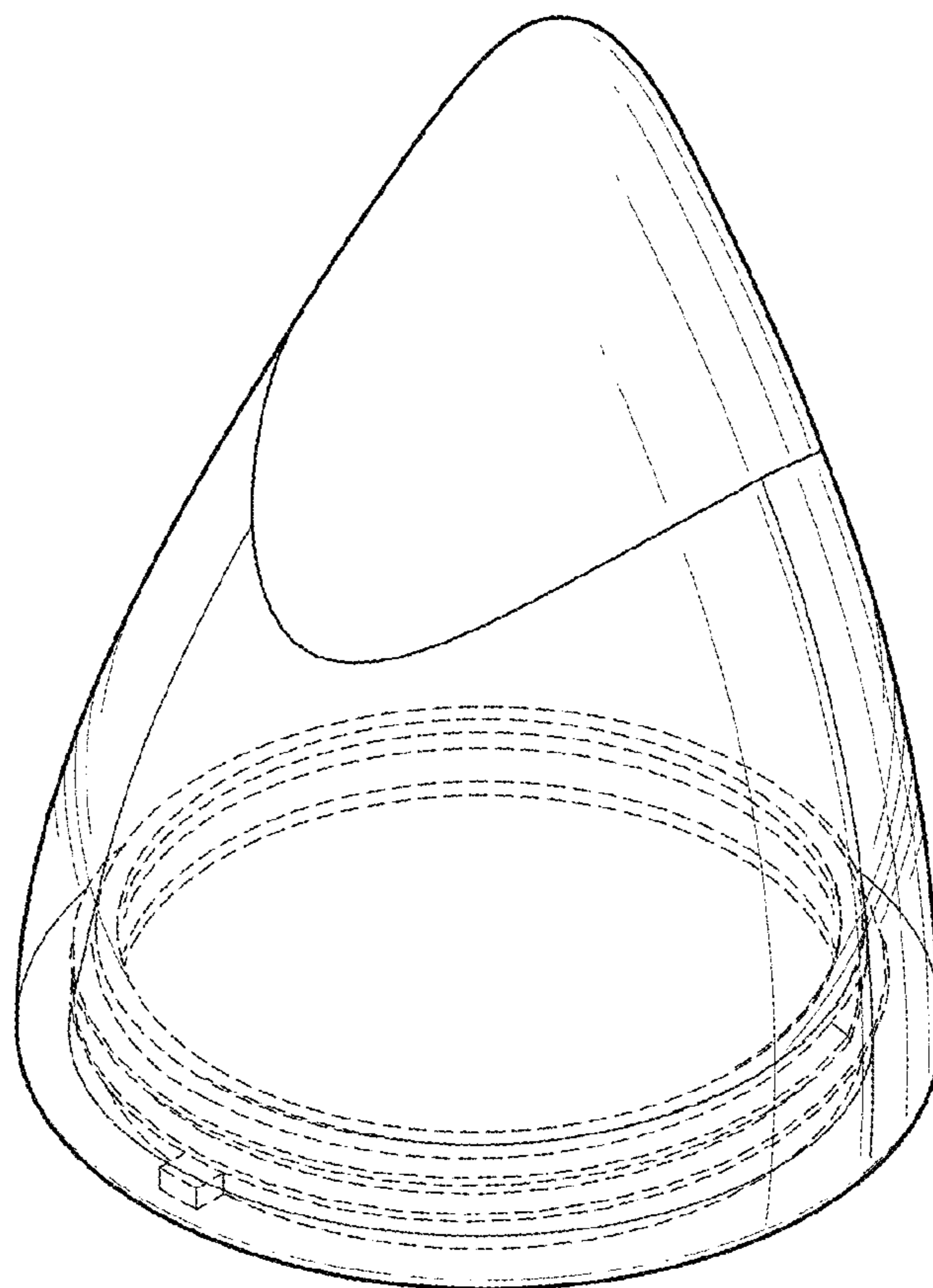




*FIG. 6*



*FIG. 7*



*FIG. 8*