

US00D758866S

(12) **United States Design Patent**  
**Tsai**

(10) **Patent No.:** **US D758,866 S**  
(45) **Date of Patent:** **\*\* Jun. 14, 2016**

(54) **COSMETICS CONTAINER**

(71) Applicant: **MARKWINS INTERNATIONAL CORPORATION**, City of Industry, CA (US)

(72) Inventor: **Hsin-Ling Tsai**, City of Industry, CA (US)

(73) Assignee: **Markwins International Corporation**, City of Industry, CA (US)

(\*\*) Term: **15 Years**

(21) Appl. No.: **29/547,903**

(22) Filed: **Dec. 8, 2015**

(51) **LOC (10) Cl.** ..... **09-01**

(52) **U.S. Cl.**  
USPC ..... **D9/503; D9/435; D9/443; D9/504; D28/89**

(58) **Field of Classification Search**  
USPC ..... D9/434-436, 440, 443, 447, 451, 454, D9/500, 502-505, 516, 521, 529, 549, 558, D9/600, 682, 686, 688-692, 715, 719, D9/723-726, 900; D4/116; D28/7, 76-77, D28/79, 87-88  
CPC ..... B65D 1/00; B65D 1/02; B65D 1/0223; B65D 23/00; B65D 81/00; B65D 83/00; B65D 2501/00; B65D 2501/0009; B65D 2501/0081; A45D 2034/007; A45D 40/265  
See application file for complete search history.

(56) **References Cited**

**U.S. PATENT DOCUMENTS**

2,717,727 A \* 9/1955 Robb ..... B65D 47/261 222/212  
D180,820 S \* 8/1957 Du Pree ..... D9/545  
D200,981 S 4/1965 Chessman  
D208,332 S \* 8/1967 Marona ..... D9/600

4,520,799 A 6/1985 Kruger  
5,309,929 A 5/1994 Toll  
D352,241 S \* 11/1994 Shiokawa ..... D9/545

(Continued)

**FOREIGN PATENT DOCUMENTS**

DE 3031131 A1 4/1982  
DE 102009011589 A1 9/2010  
WO 2012168874 A1 12/2012

**OTHER PUBLICATIONS**

Print-outs of webpage dated Feb. 26, 2015: Nail It, Nail Guru Nonie Creme Dazz Colour Prevails, 8 pages <http://nailitmag.com/nail-guru-nonie-creme-dazzles-with-colour-prevails/>.

(Continued)

*Primary Examiner* — Dana L Meyrow

(74) *Attorney, Agent, or Firm* — Danton K. Mak; Leech Tishman Fuscaldo & Lampl

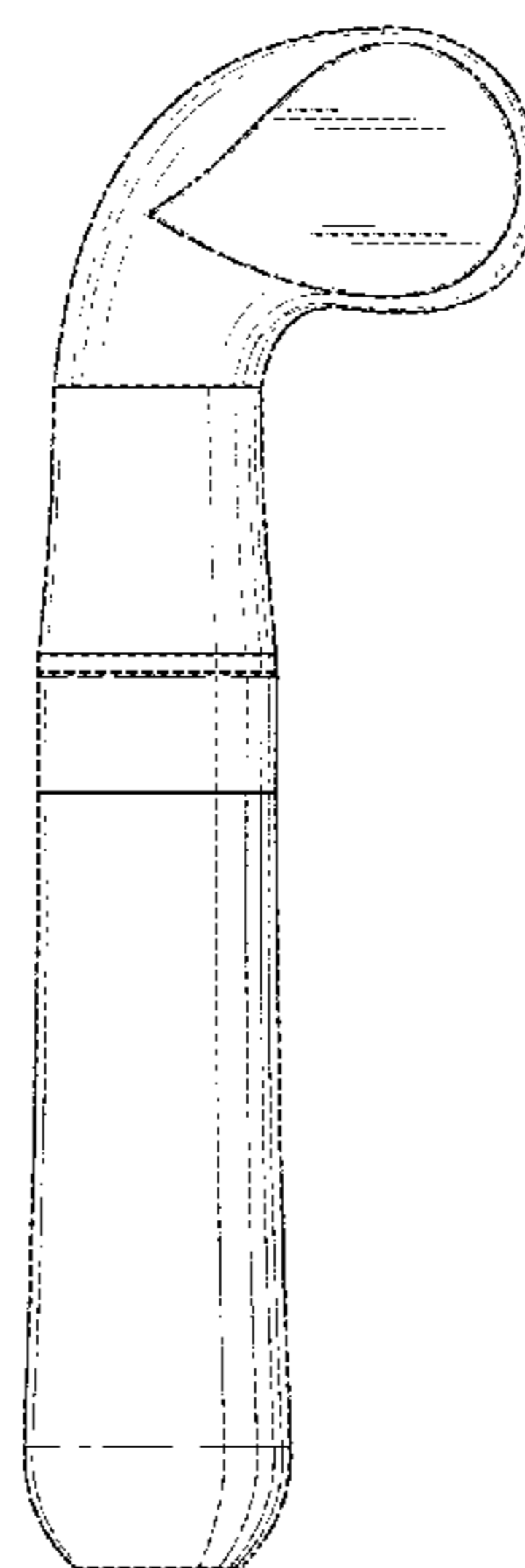
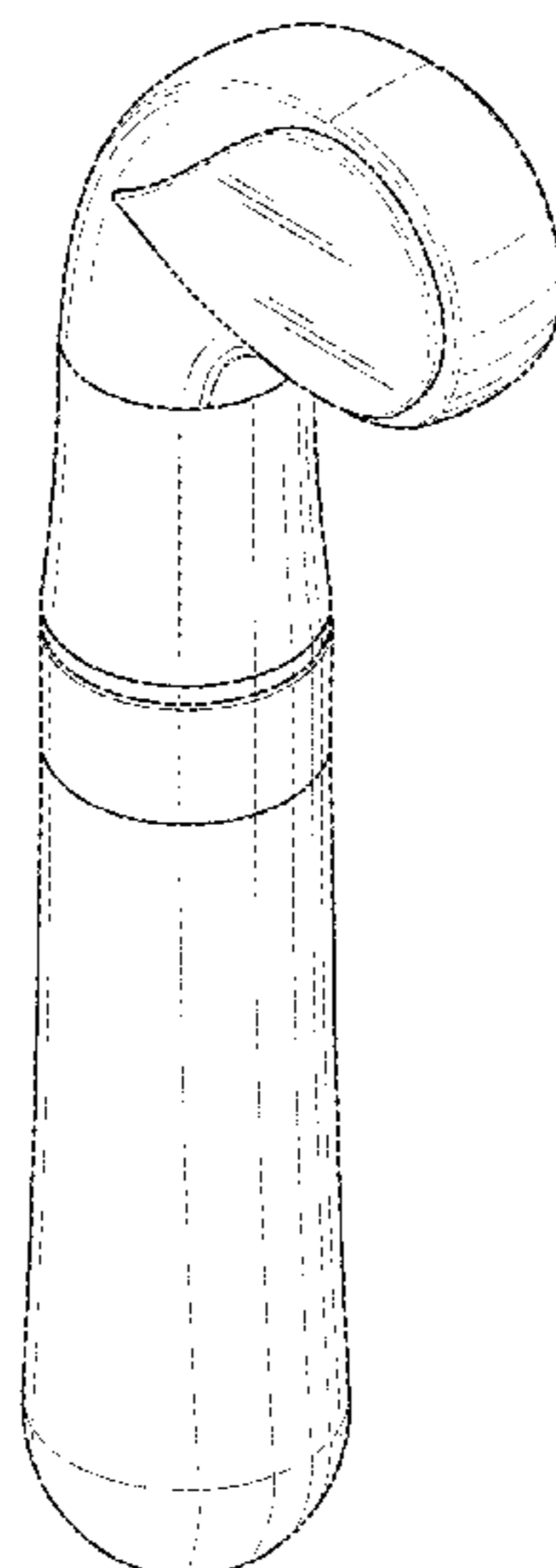
(57) **CLAIM**

I claim the ornamental design for a cosmetics container, as shown and described.

**DESCRIPTION**

FIG. 1 is a top perspective view of a cosmetics container showing my new design;  
FIG. 2 is a left side elevation view thereof;  
FIG. 3 is a right side elevation view thereof;  
FIG. 4 is a rear elevation view thereof;  
FIG. 5 is a front elevation view thereof;  
FIG. 6 is a top plan view thereof;  
FIG. 7 is a bottom plan view thereof; and,  
FIG. 8 is an exploded top perspective view of the cosmetics container of FIGS. 1-7 with the cap removed.  
The evenly dashed broken lines in the drawings illustrate the portions of the cosmetics container that form no part of the claim. The short dash-long dash broken lines in the drawings indicate the cap placement.

**1 Claim, 5 Drawing Sheets**



(56)

**References Cited**

U.S. PATENT DOCUMENTS

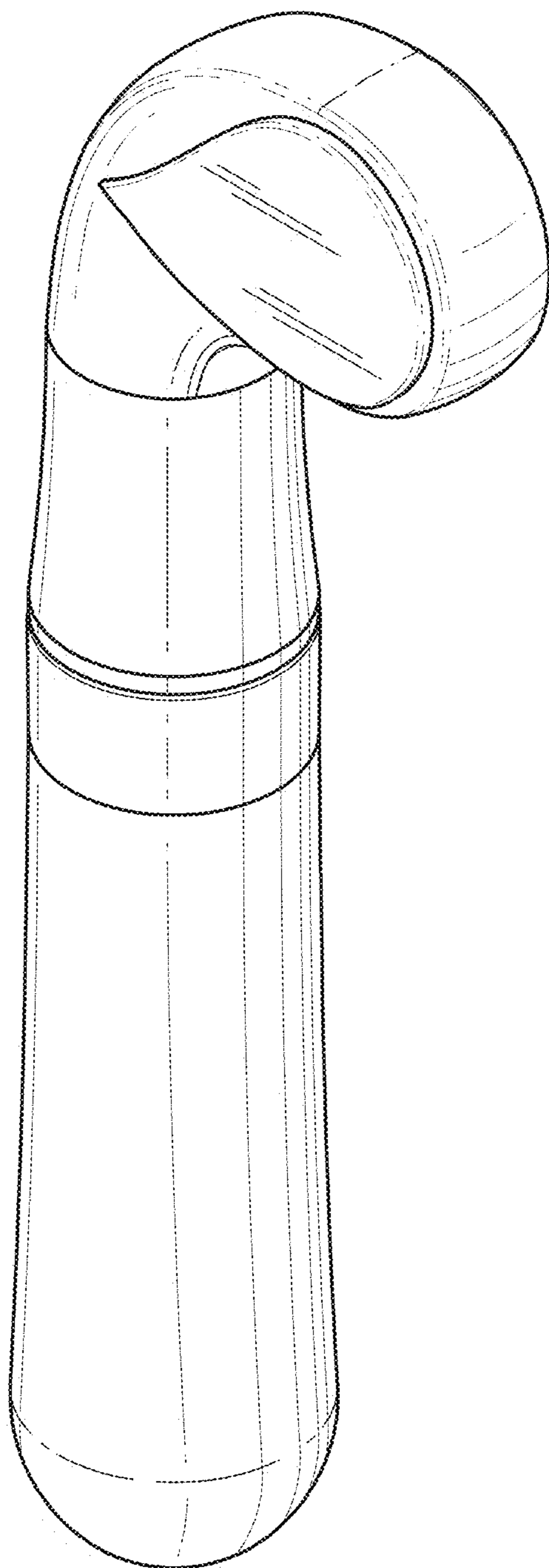
D399,731 S \* 10/1998 Petzold ..... D9/439  
D460,217 S 7/2002 Shih  
D488,377 S 4/2004 Shih  
D544,352 S \* 6/2007 Dittmer ..... D9/504  
D545,678 S \* 7/2007 Dittmer ..... D9/504  
D610,913 S \* 3/2010 Lesueur ..... D9/557  
D648,788 S \* 11/2011 Dewberry ..... D19/155  
D659,540 S \* 5/2012 Bakic ..... D9/503  
D677,583 S \* 3/2013 In ..... D9/723

D686,509 S \* 7/2013 Ashiwa ..... D9/688  
8,702,333 B2 \* 4/2014 Geuther ..... A45D 40/265  
401/126  
D704,070 S \* 5/2014 Pires ..... D9/689  
D719,463 S \* 12/2014 Pires ..... D9/691  
D748,982 S \* 2/2016 Creme ..... D9/436

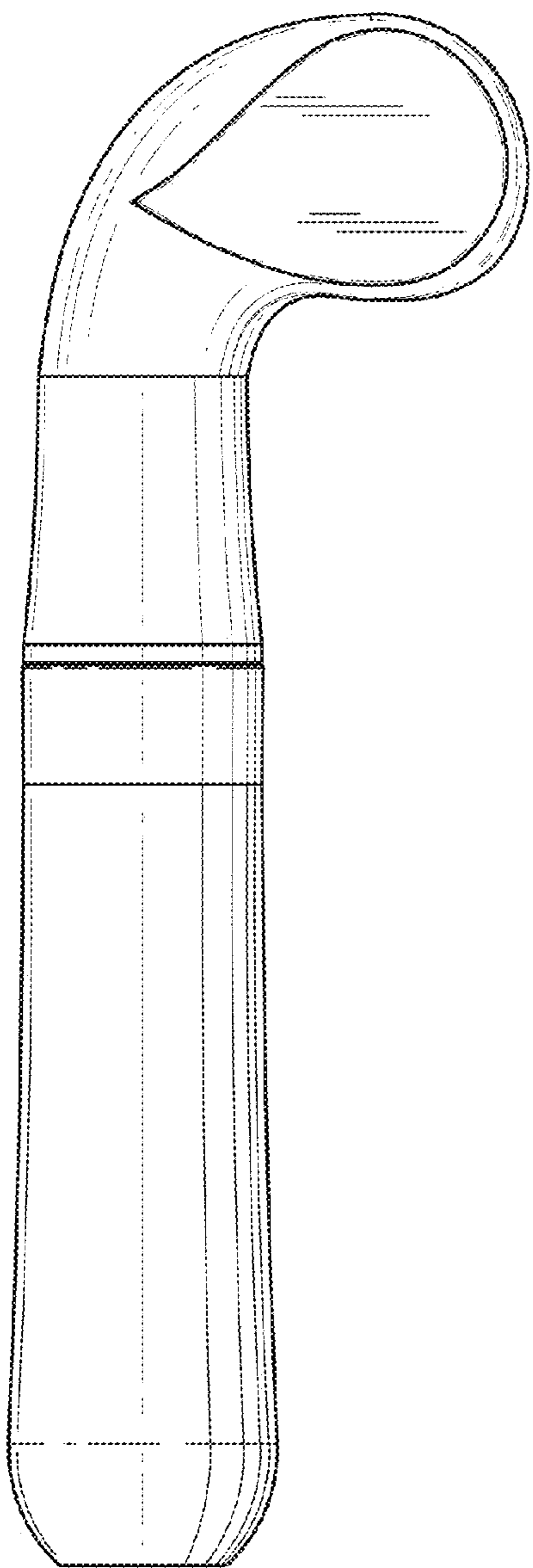
OTHER PUBLICATIONS

SPSG Sherman Patent Search Group, Design Search Report on Club Shaped Handle; dated Oct. 2, 2015, 10 pages.

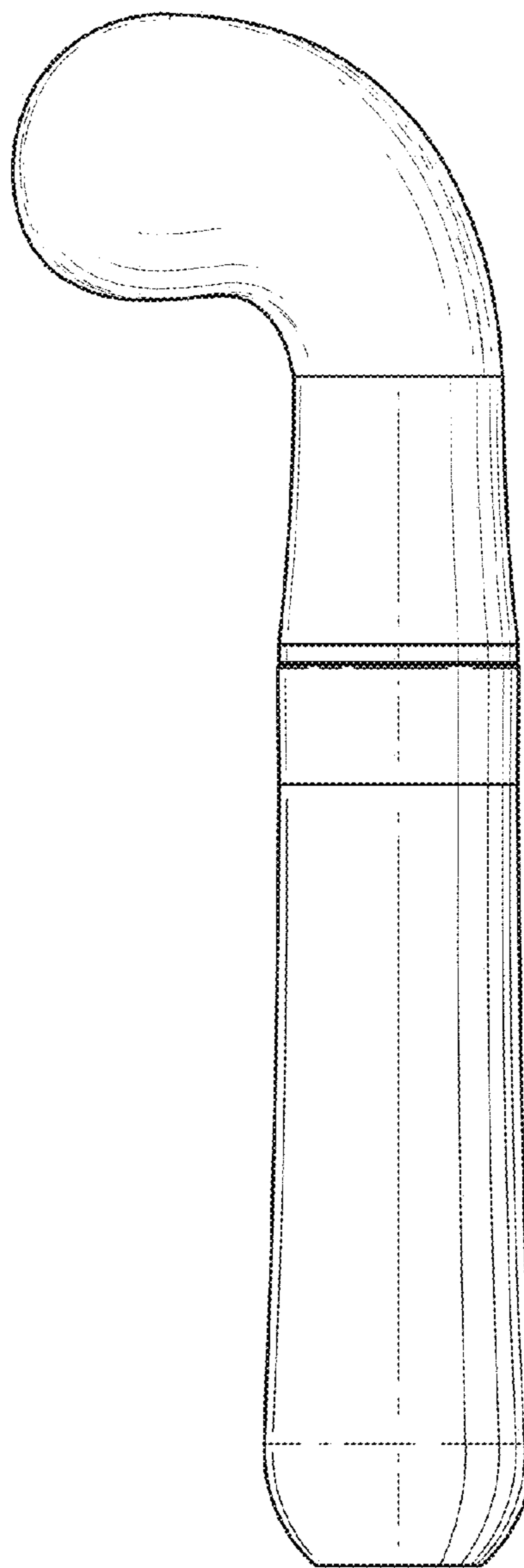
\* cited by examiner



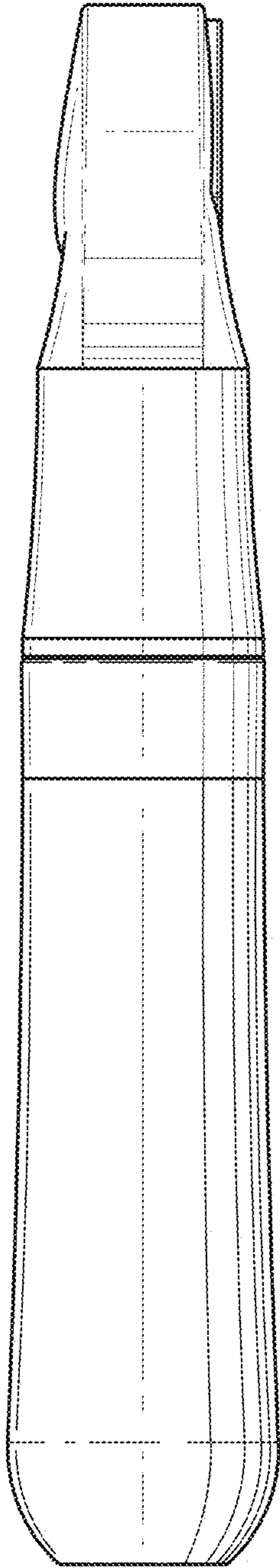
*FIG. 1*



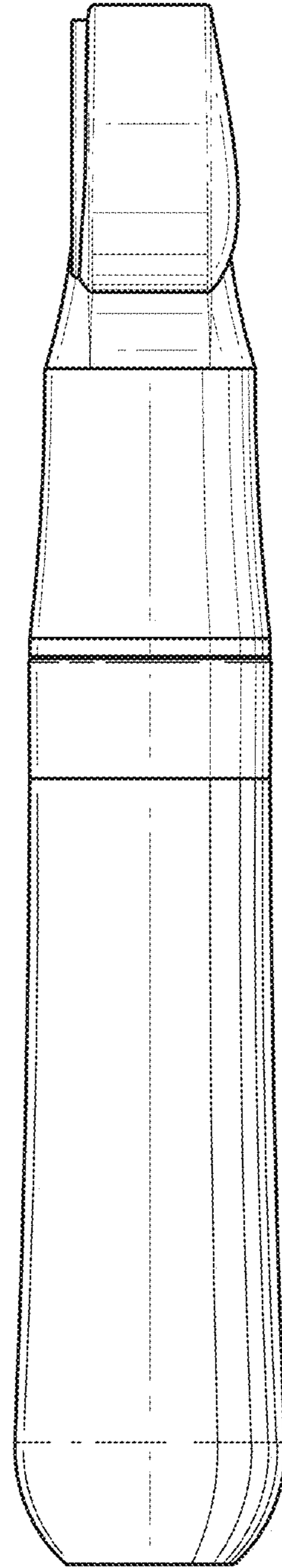
*FIG. 2*



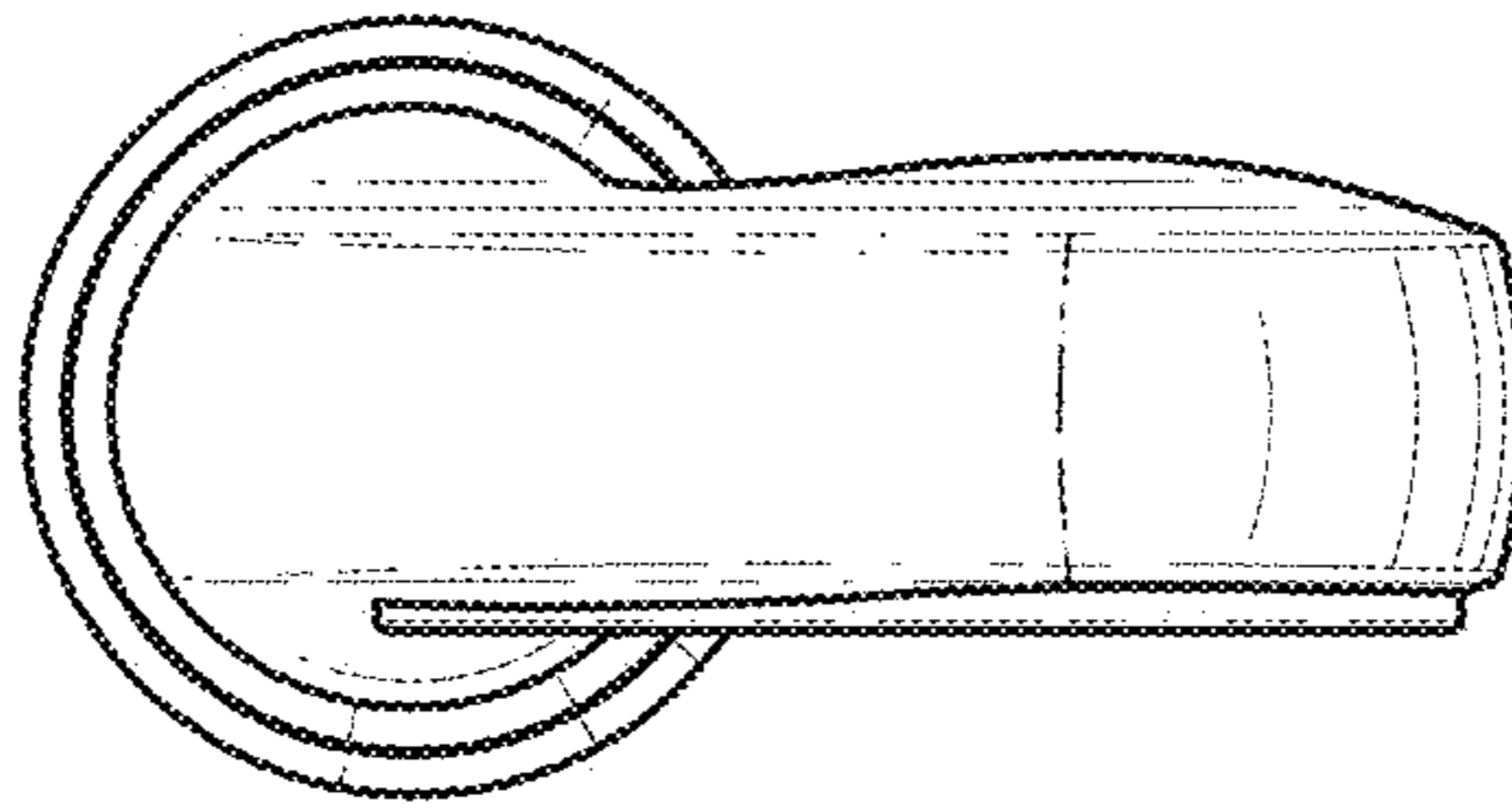
*FIG. 3*



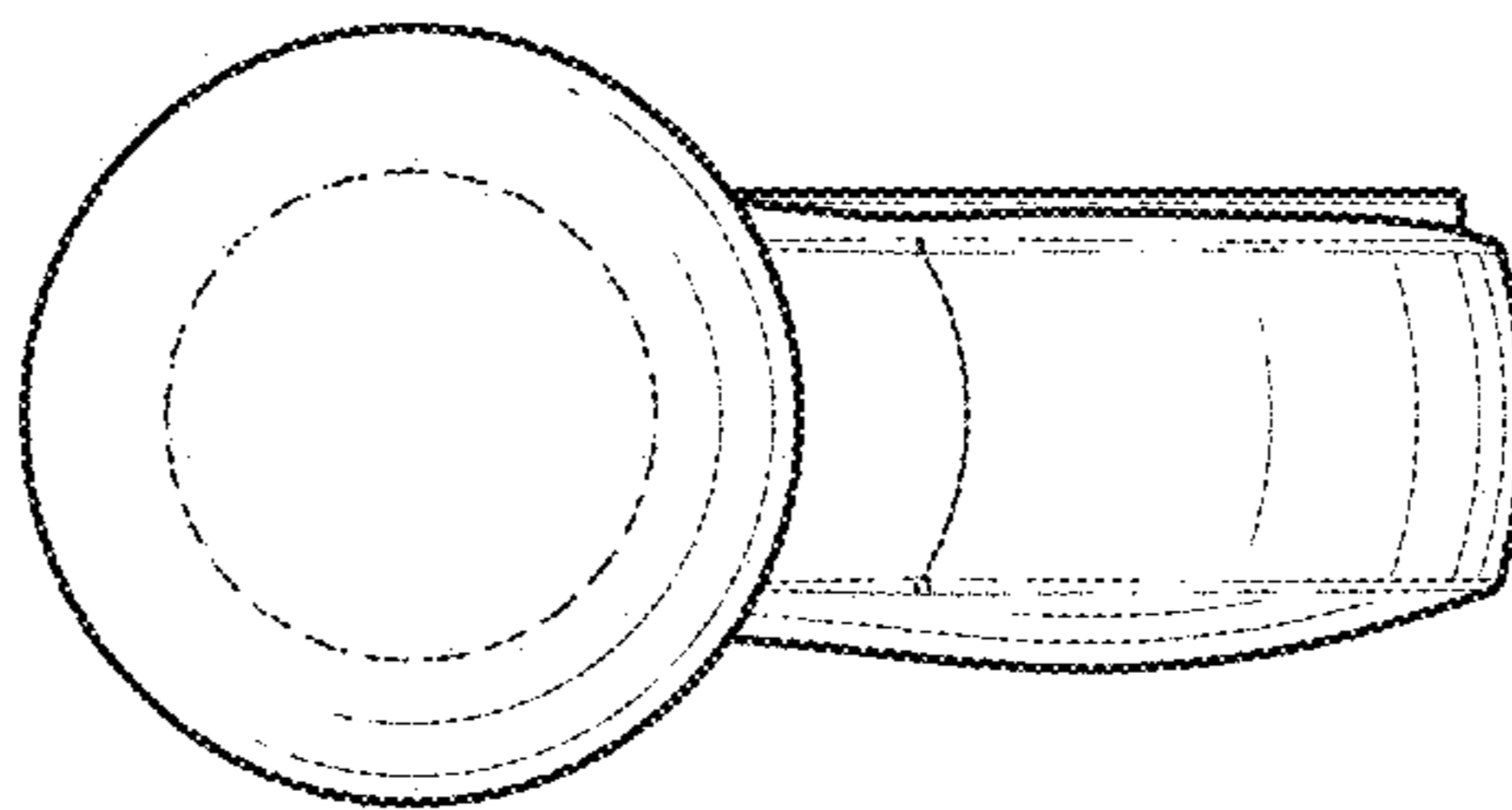
*FIG. 4*



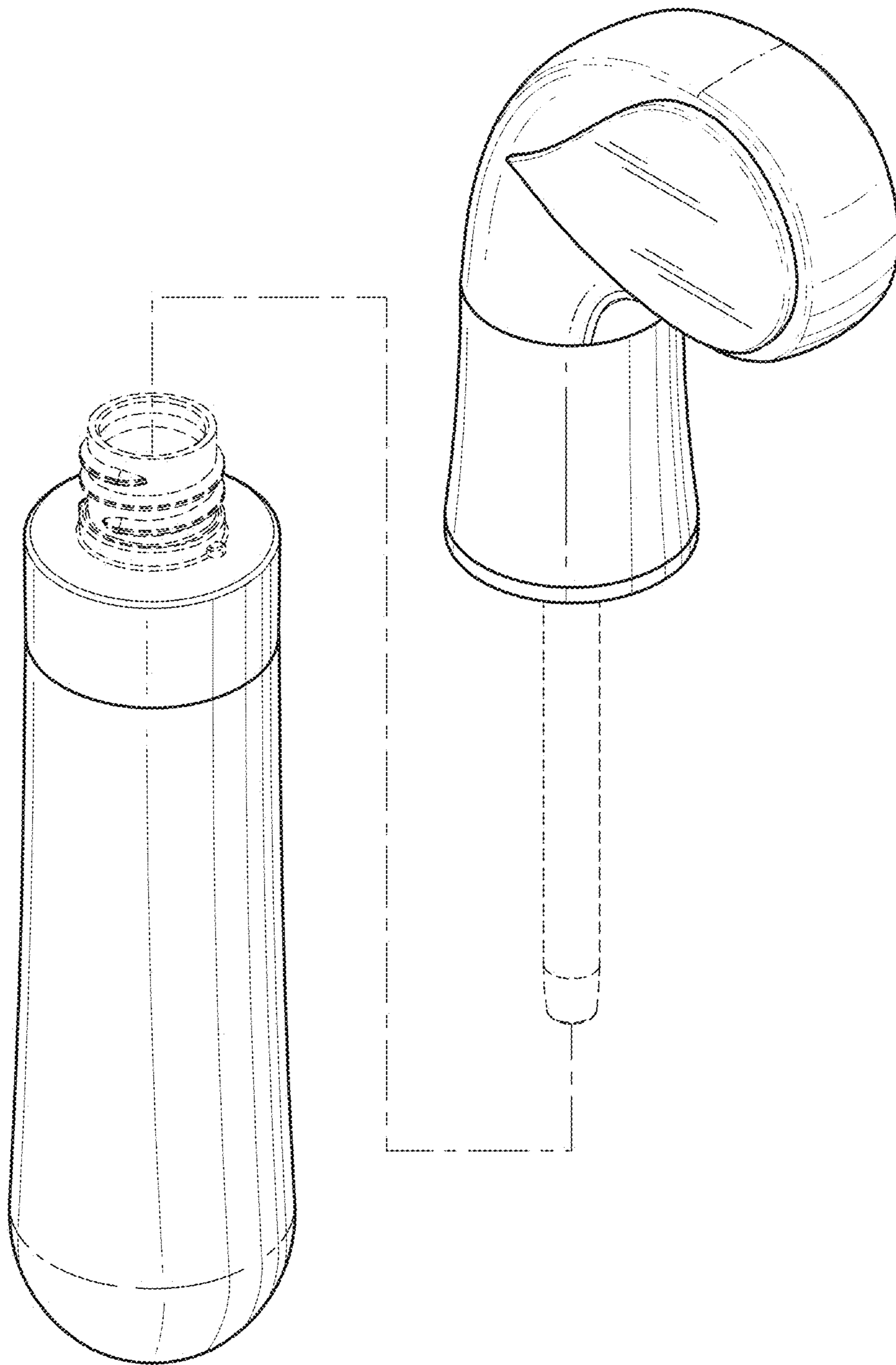
*FIG. 5*



*FIG. 6*



*FIG. 7*



*FIG. 8*