

US00D758861S

(12) **United States Design Patent**  
**Heidl et al.**

(10) **Patent No.:** **US D758,861 S**  
(45) **Date of Patent:** **\*\* Jun. 14, 2016**

(54) **PRODUCT PACKAGE**

(71) Applicant: **National Concessions Group Inc.**,  
Denver, CO (US)

(72) Inventors: **Jeremy Heidl**, Denver, CO (US); **Gary Ross**, Fort Collins, CO (US); **Ralph Morgan**, Evergreen, CO (US); **Blake St. Clair**, Denver, CO (US); **Gentlehart Acres**, Denver, CO (US)

(73) Assignee: **National Concessions Group Inc.**,  
Denver, CO (US)

(\*\*) Term: **14 Years**

(21) Appl. No.: **29/508,197**

(22) Filed: **Nov. 4, 2014**

(51) **LOC (10) Cl.** ..... **09-03**

(52) **U.S. Cl.**  
USPC ..... **D9/457**

(58) **Field of Classification Search**  
USPC ..... D6/466; D9/414-416, 418, 421,  
D9/423-426, 430, 432-438, 440, 443-445,  
D9/447, 449, 455-457, 499, 735, 739;  
206/349, 459.5, 461, 484, 532;  
211/70.6; 248/174  
CPC ..... B65D 73/0064; B65D 73/0021  
See application file for complete search history.

(56) **References Cited**

**U.S. PATENT DOCUMENTS**

3,130,834 A \* 4/1964 Korzaan ..... B65D 73/0007  
206/349  
3,270,878 A \* 9/1966 Giesler ..... B65D 75/20  
206/484  
4,023,759 A 5/1977 Perkins  
4,328,894 A 5/1982 Edell  
4,660,225 A 4/1987 Kahn  
4,817,691 A 4/1989 Lau  
5,121,779 A 6/1992 Green

D365,249 S \* 12/1995 Reisman ..... D7/601  
D370,386 S 6/1996 Pallesen  
5,776,586 A 7/1998 Lipper  
D425,842 S 5/2000 McNaughton  
D431,460 S \* 10/2000 Nichol ..... D9/415  
D438,092 S 2/2001 Schmidt  
6,283,311 B1 \* 9/2001 Lee ..... B25H 3/006  
206/377  
D496,265 S \* 9/2004 Dossett ..... D9/415  
6,935,516 B2 8/2005 Chiang  
7,246,459 B2 7/2007 Lewis  
7,404,488 B2 7/2008 Verbruggen et al.  
D585,493 S 1/2009 Pascale  
D600,112 S \* 9/2009 Cote ..... D9/414  
D601,021 S 9/2009 Hogenbirk  
D614,490 S 4/2010 Ouimette et al.

(Continued)

**OTHER PUBLICATIONS**

U.S. Appl. No. 14/523,662, filed Oct. 24, 2014, Heidl et al.

(Continued)

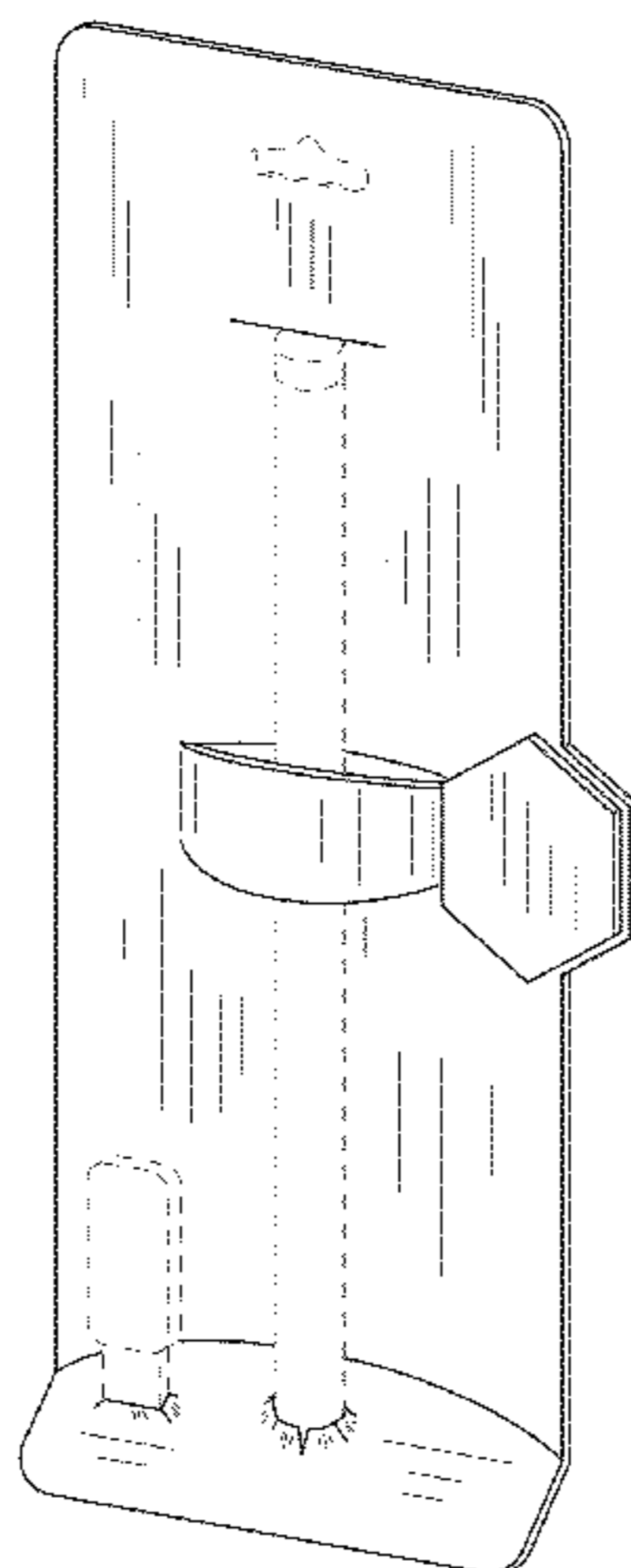
*Primary Examiner* — Robert M Spear  
*Assistant Examiner* — Darcey E Heflin  
(74) *Attorney, Agent, or Firm* — Sheridan Ross P.C.

(57) **CLAIM**  
The ornamental design for product package, as shown and described.

**DESCRIPTION**

FIG. 1 is a front perspective view of the product package;  
FIG. 2 is a front elevation view thereof;  
FIG. 3 is a right elevation view thereof;  
FIG. 4 is a left elevation view thereof;  
FIG. 5 is a rear elevation view thereof;  
FIG. 6 is a top plan view thereof; and,  
FIG. 7 is a bottom plan view thereof.  
The broken lines showing the product package are included for the purpose of illustrating environment and form no part of the claimed design.

**1 Claim, 4 Drawing Sheets**



(56)

**References Cited**

U.S. PATENT DOCUMENTS

D614,491	S	4/2010	Rhoad	
7,743,917	B2	6/2010	Konop et al.	
D620,359	S	7/2010	Ginsberg et al.	
D623,236	S	9/2010	Engelby et al.	
7,905,351	B2	3/2011	Konop et al.	
D654,724	S	2/2012	Lecoutre	
D654,725	S	2/2012	Lecoutre	
D656,340	S	3/2012	Lecoutre	
D659,193	S	5/2012	Newman	
D693,846	S	11/2013	Daniel	
D711,234	S	8/2014	Morgan et al.	
D711,235	S	8/2014	Morgan et al.	
D721,277	S	1/2015	Harrison	
D735,571	S	8/2015	Futase	
2005/0155945	A1*	7/2005	Kao .....	B29C 33/005 211/70.6
2006/0201836	A1	9/2006	Pendergraph et al.	
2007/0284279	A1	12/2007	Doskoczynski et al.	
2014/0262906	A1*	9/2014	Le .....	B65D 83/0463 206/461

2015/0114869	A1*	4/2015	Heidl .....	B65D 73/0021 206/495
2015/0129458	A1*	5/2015	Liu .....	B65D 73/0064 206/580
2015/0209956	A1*	7/2015	Hu .....	B65D 73/0064 206/349

OTHER PUBLICATIONS

U.S. Appl. No. 29/508,198, filed Nov. 4, 2014, Heidl et al.  
 Kohn, "Personal Vaporizer Review: The O.Pen," Cannabis Commerce Online, Feb. 1, 2013, available at <http://cannabis-commerce.com/2013/02/01/o-pen-personal-vaporizer-review/>, 42 pages.  
 Mitchem, "Correction: O.Pen Vape Sales Skyrocket Within 30 Days of Legalized Cannabis in Colorado," Yahoo Finance Feb. 24, 2014, available at <http://finance.yahoo.com/news/correction-o-penvape-sales-skyrocket-155736017.html>.  
 Notice of Allowance for U.S. Appl. No. 29/470,944, mailed Mar. 25, 2014, 11 pages.  
 Notice of Allowance for U.S. Appl. No. 29/470,945, mailed Mar. 25, 2014, 11 pages.  
 Official Action for U.S. Appl. No. 29/508,198, mailed Feb. 1, 2016 5 pages.

\* cited by examiner

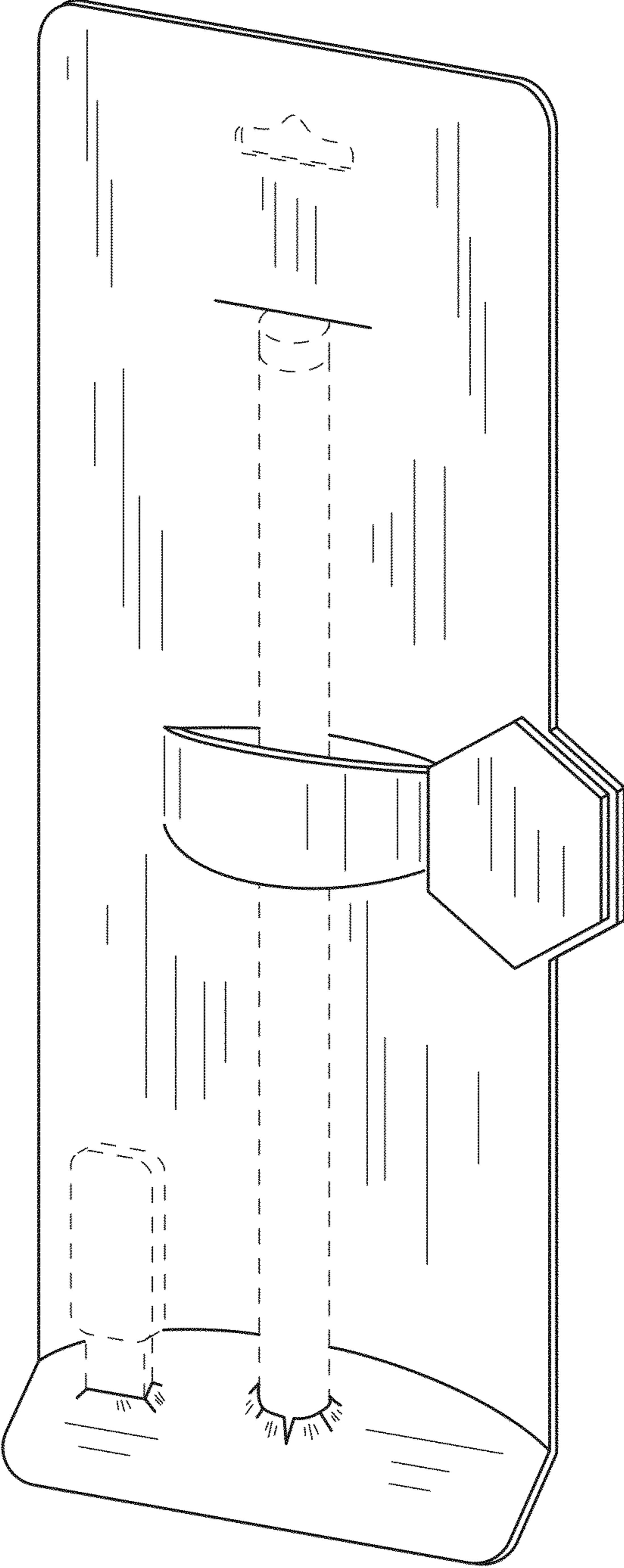


FIG. 1

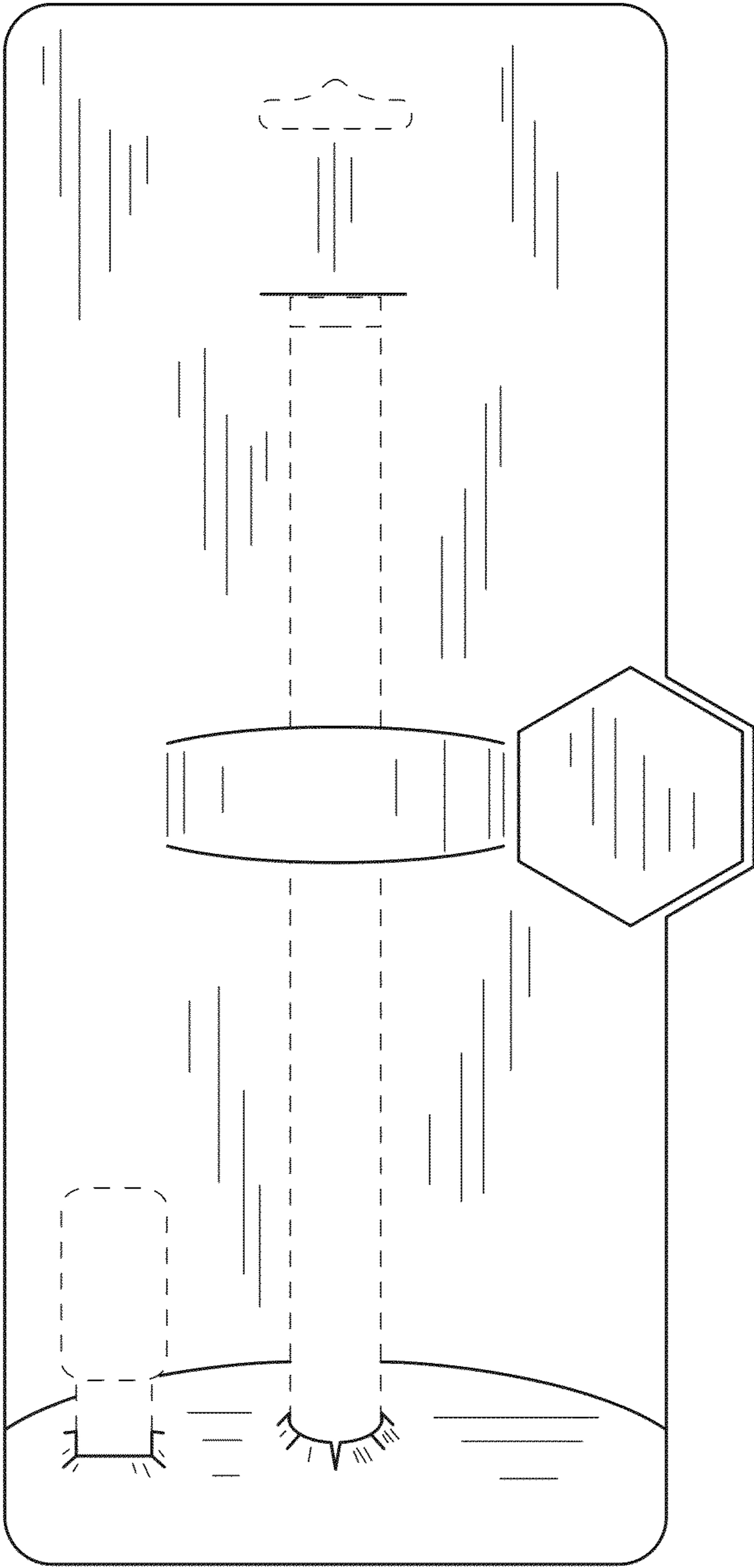


FIG. 2

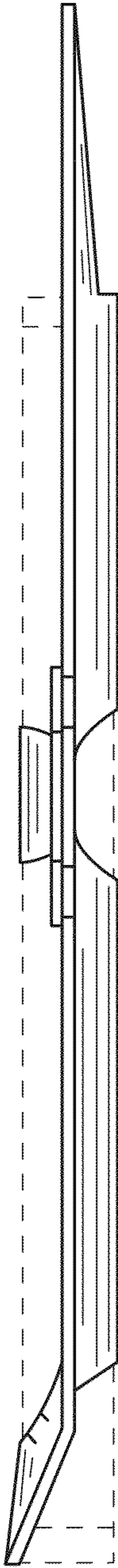


FIG. 3



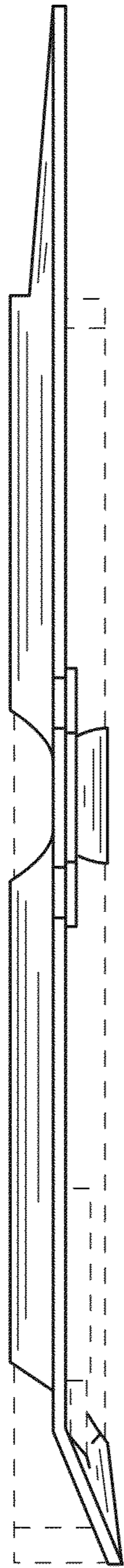


FIG. 4

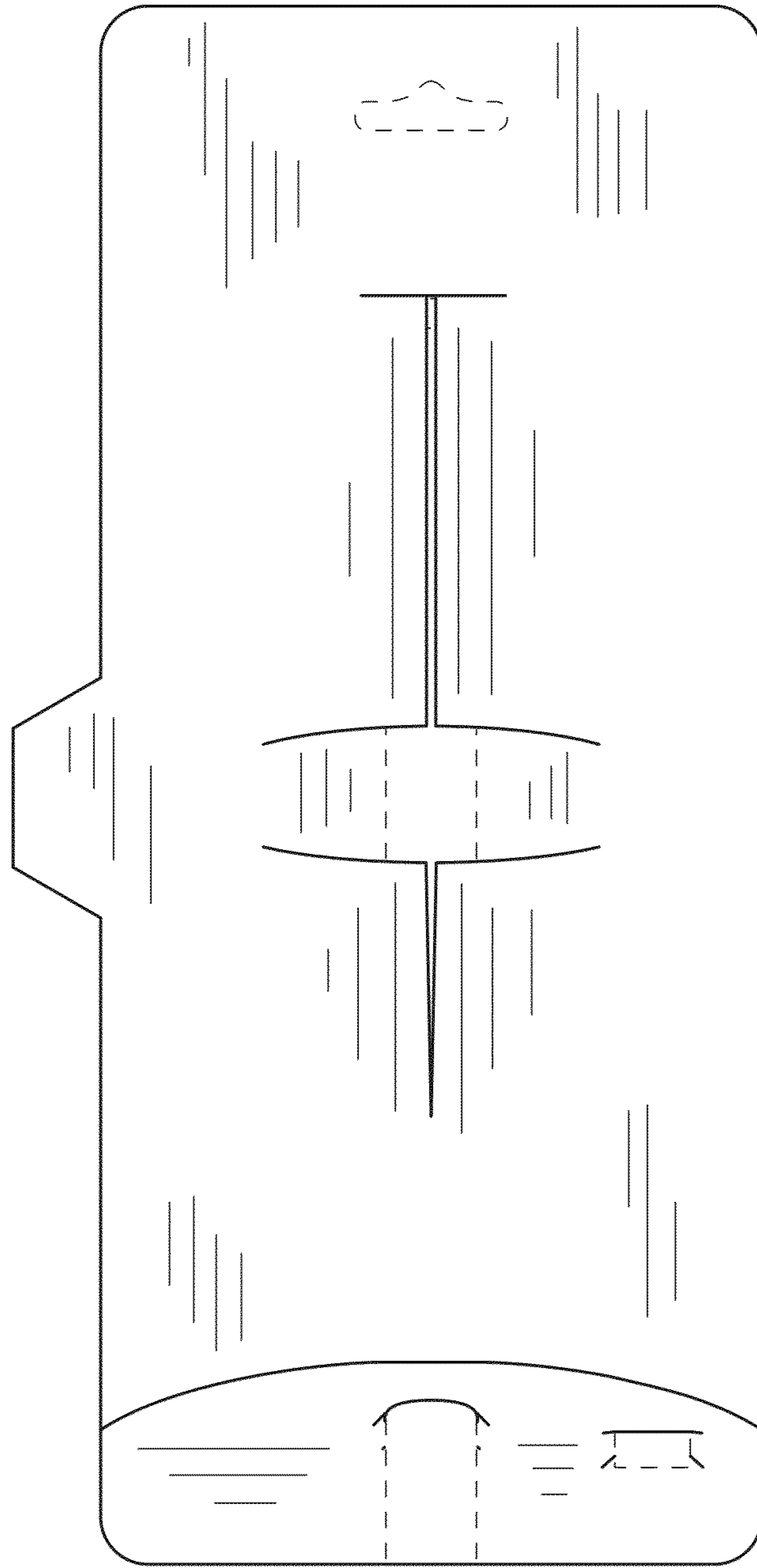


FIG. 5

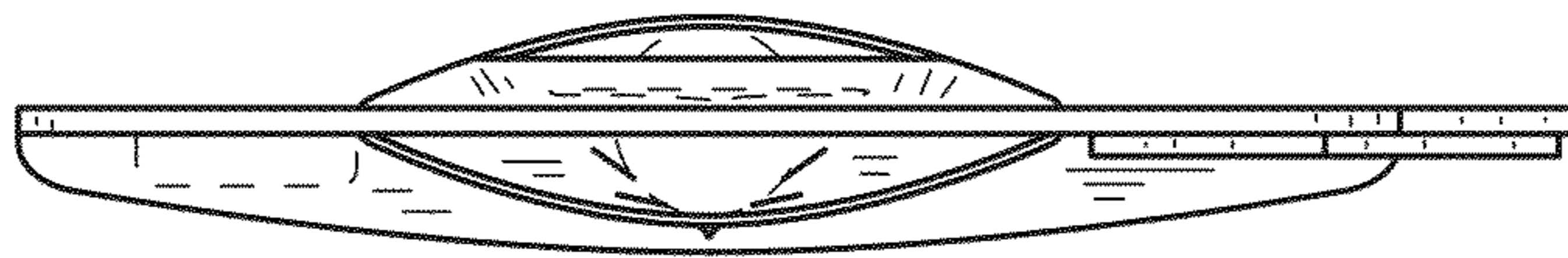


FIG. 6

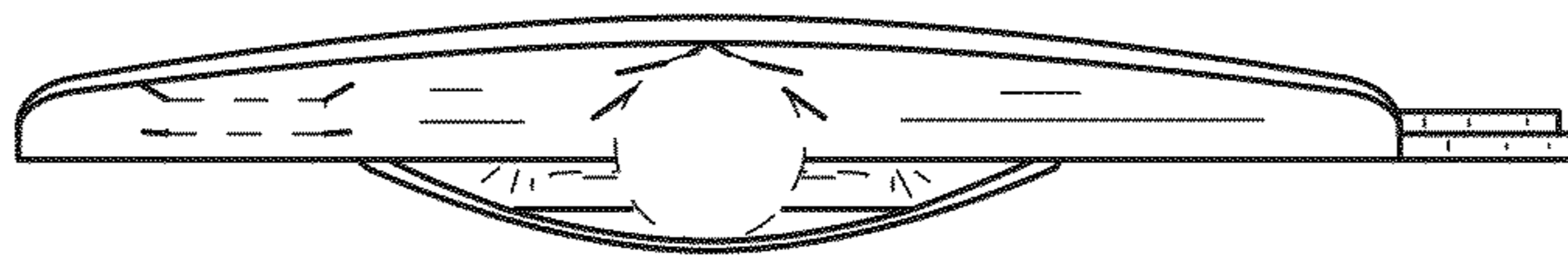


FIG. 7