



US00D758860S

(12) **United States Design Patent**
Nguyen

(10) **Patent No.:** **US D758,860 S**

(45) **Date of Patent:** **** Jun. 14, 2016**

(54) **PUSH PULL CLOSURE**

(71) Applicant: **Berlin Packaging, LLC**, Chicago, IL (US)

(72) Inventor: **Tien Nguyen**, Chicago, IL (US)

(73) Assignee: **Berlin Packaging, LLC**, Chicago, IL (US)

(**) Term: **14 Years**

(21) Appl. No.: **29/509,980**

(22) Filed: **Nov. 24, 2014**

(51) **LOC (10) Cl.** **09-07**

(52) **U.S. Cl.**
USPC **D9/449**

(58) **Field of Classification Search**
USPC D7/300, 300.1, 300.2, 303, 316, 317,
D7/396.2, 397, 398, 509, 510, 511, 392.1;
D9/738, 763, 778, 434, 435, 436, 439,
D9/440, 443, 444, 445, 447, 448, 449, 450,
D9/452, 453, 454, 438; D28/82
CPC A47G 19/22; B65D 41/04; B65D 47/06
See application file for complete search history.

(56) **References Cited**

U.S. PATENT DOCUMENTS

D182,235 S *	3/1958	Jaffe	D9/454
D285,515 S *	9/1986	Papciak	D24/119
D447,602 S *	9/2001	Dumler	D28/76
D480,268 S *	10/2003	Laib	D7/510
D501,359 S *	2/2005	Bodum	D7/392
7,182,216 B2 *	2/2007	Reinoso	B65D 47/06 220/713
D614,443 S *	4/2010	Federighi	D7/397
D624,358 S *	9/2010	Maufette	D7/387

(Continued)

Primary Examiner — Robert M Spear

Assistant Examiner — Marissa J Cash

(74) *Attorney, Agent, or Firm* — Adam K. Sacharoff; Much Shelist

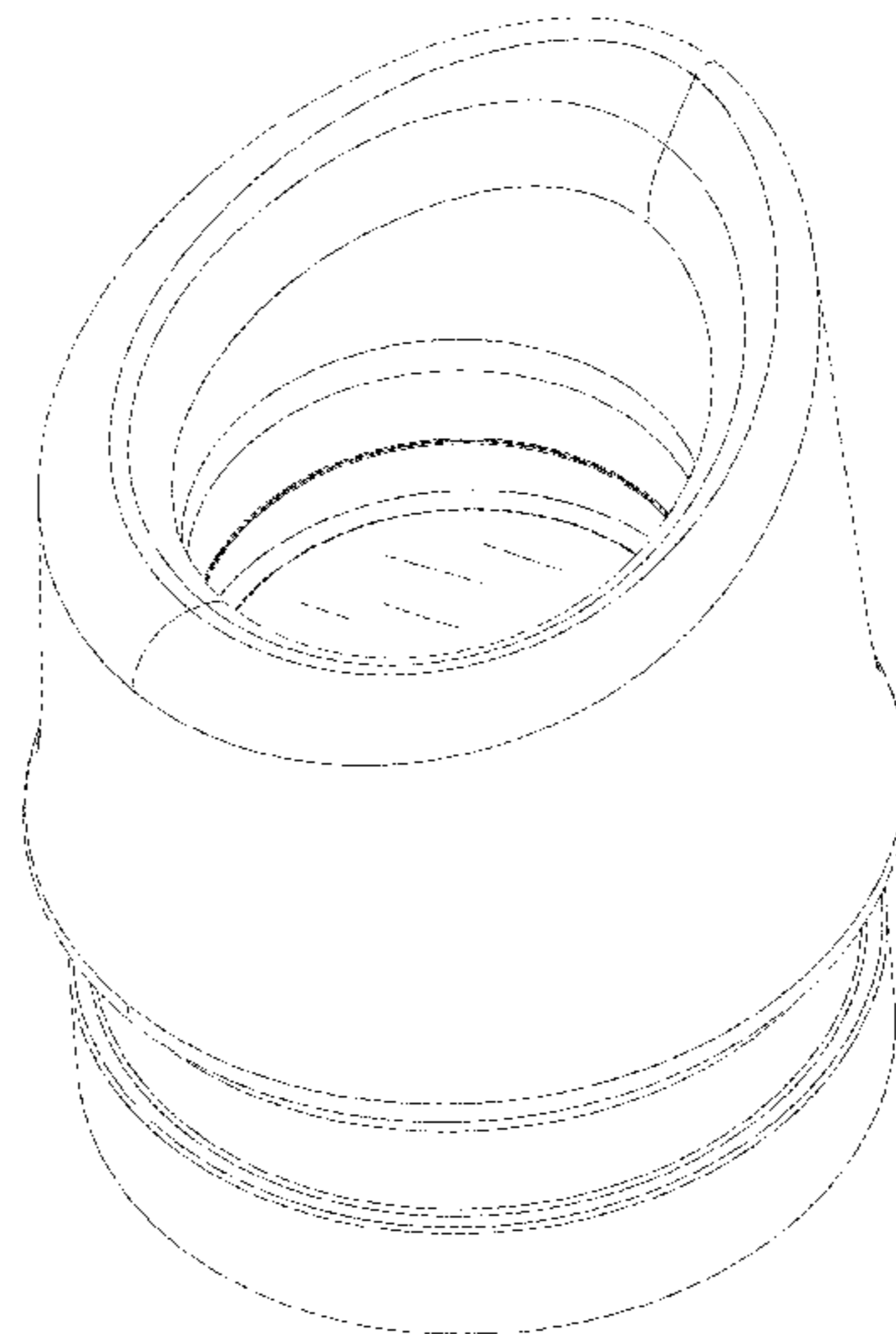
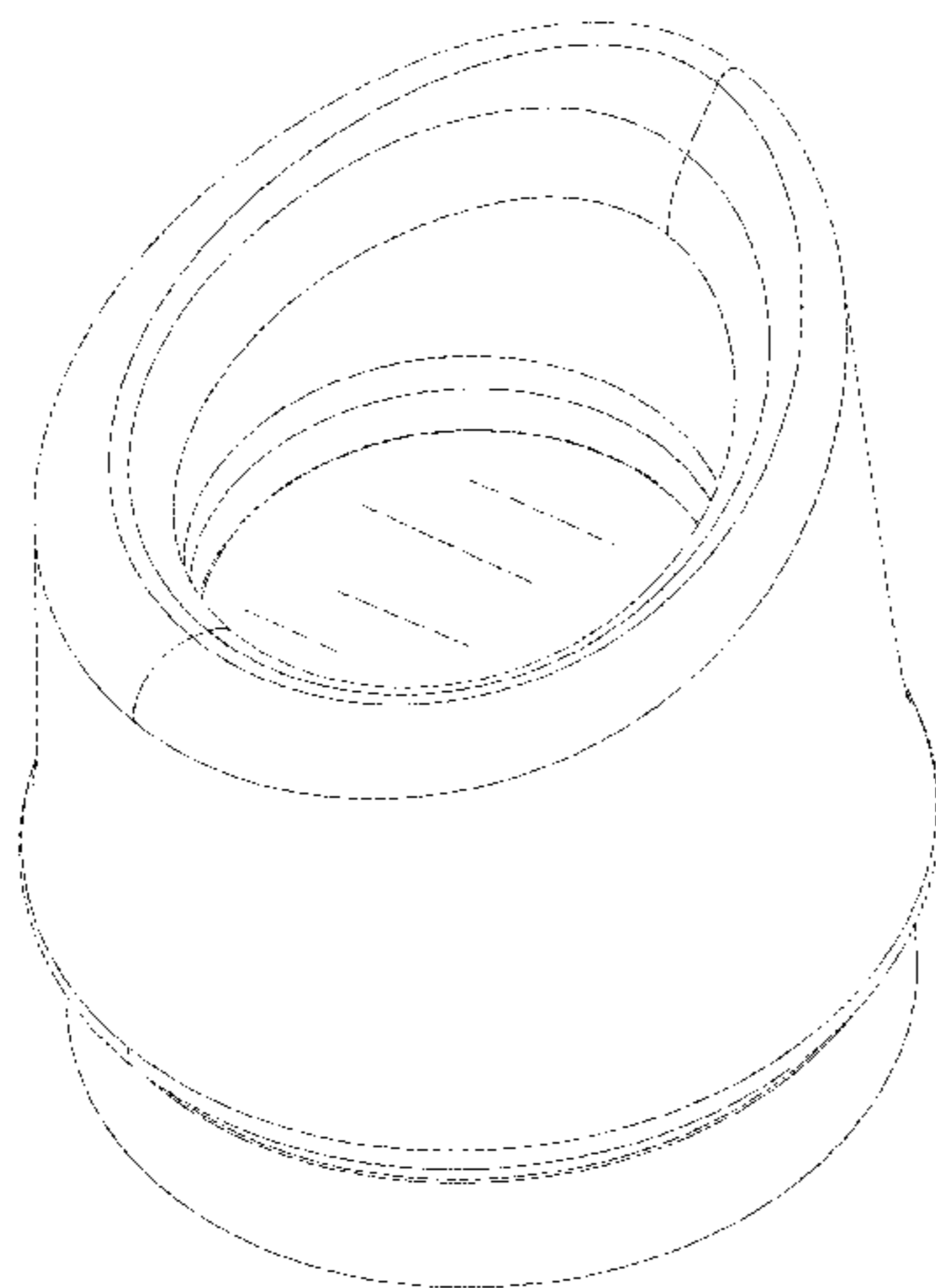
(57) **CLAIM**

The ornamental design for a push pull closure, as shown and described.

DESCRIPTION

FIG. 1 is a front right perspective view showing the new design;
 FIG. 2 is a rear left perspective view of FIG. 1;
 FIG. 3 is a bottom right perspective view of FIG. 1;
 FIG. 4 is a bottom left perspective view of FIG. 1;
 FIG. 5 is a bottom perspective view of FIG. 1;
 FIG. 6 is a right side view of FIG. 1;
 FIG. 7 is a left side view of FIG. 1;
 FIG. 8 is a front elevation view of FIG. 1;
 FIG. 9 is a rear elevation view of FIG. 1;
 FIG. 10 is a top plan view of FIG. 1;
 FIG. 11 is a bottom plan view of FIG. 1;
 FIG. 12 is a front right perspective view showing a second embodiment of the new design;
 FIG. 13 is a rear left perspective view of FIG. 12;
 FIG. 14 is a bottom right perspective view of FIG. 12;
 FIG. 15 is a bottom left perspective view of FIG. 12;
 FIG. 16 is a bottom perspective view of FIG. 12;
 FIG. 17 is a right side view of FIG. 12;
 FIG. 18 is a left side view of FIG. 12;
 FIG. 19 is a front elevation view of FIG. 12;
 FIG. 20 is a rear elevation view of FIG. 12;
 FIG. 21 is a top plan view of FIG. 12; and,
 FIG. 22 is a bottom plan view of FIG. 12.
 The broken lines are for environmental purposes only and form no part of the claimed design.

1 Claim, 22 Drawing Sheets



US D758,860 S

Page 2

(56)

References Cited

U.S. PATENT DOCUMENTS

D630,037 S *	1/2011	Kauer	D7/300	
D646,927 S *	10/2011	Craig	D7/510	* cited by examiner
D683,184 S *	5/2013	Lin	D7/316	
D709,373 S *	7/2014	Agassi	D9/449	
D721,272 S *	1/2015	Wichowski	D9/447	

FIGURE 1

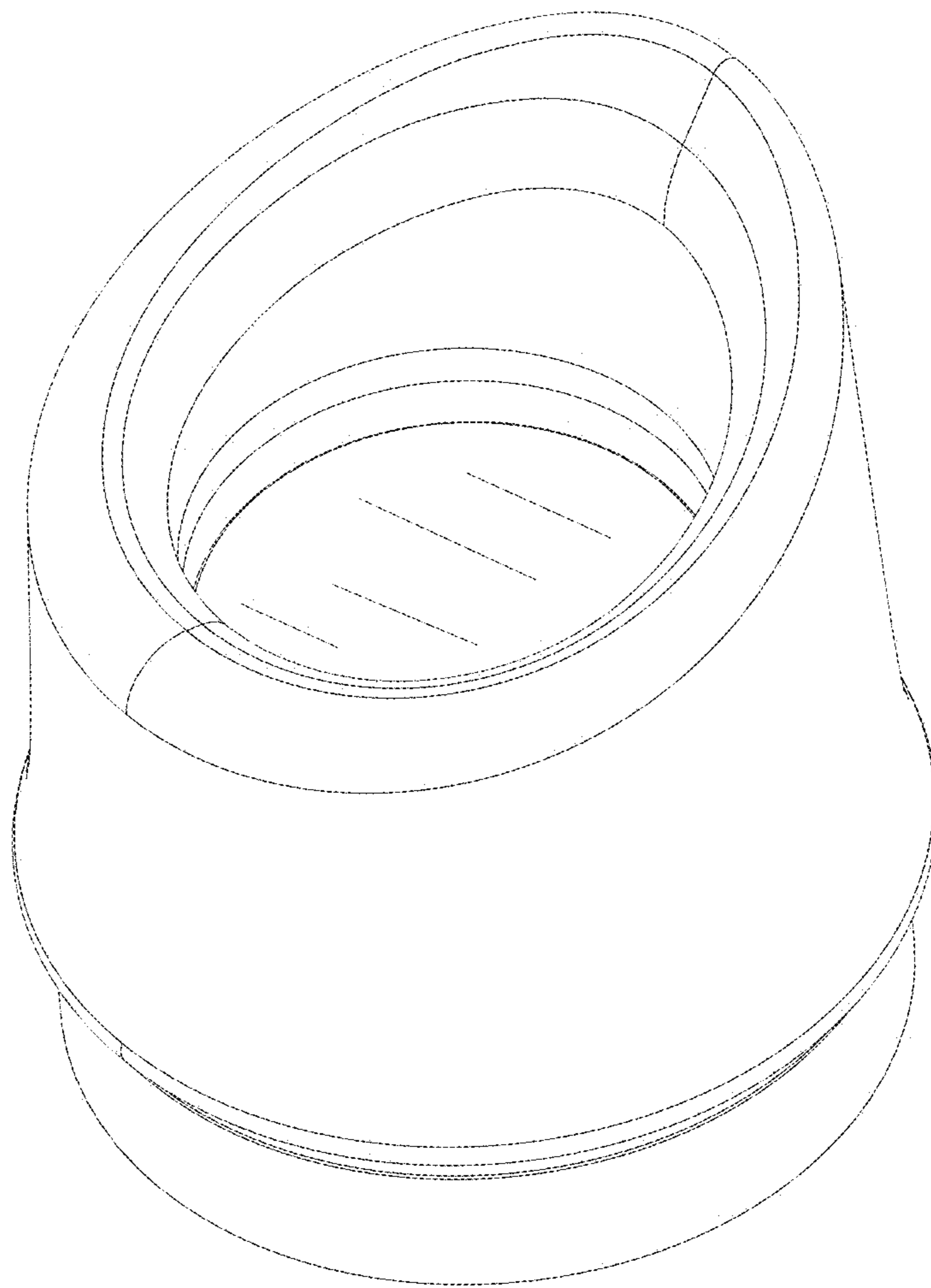


FIGURE 2

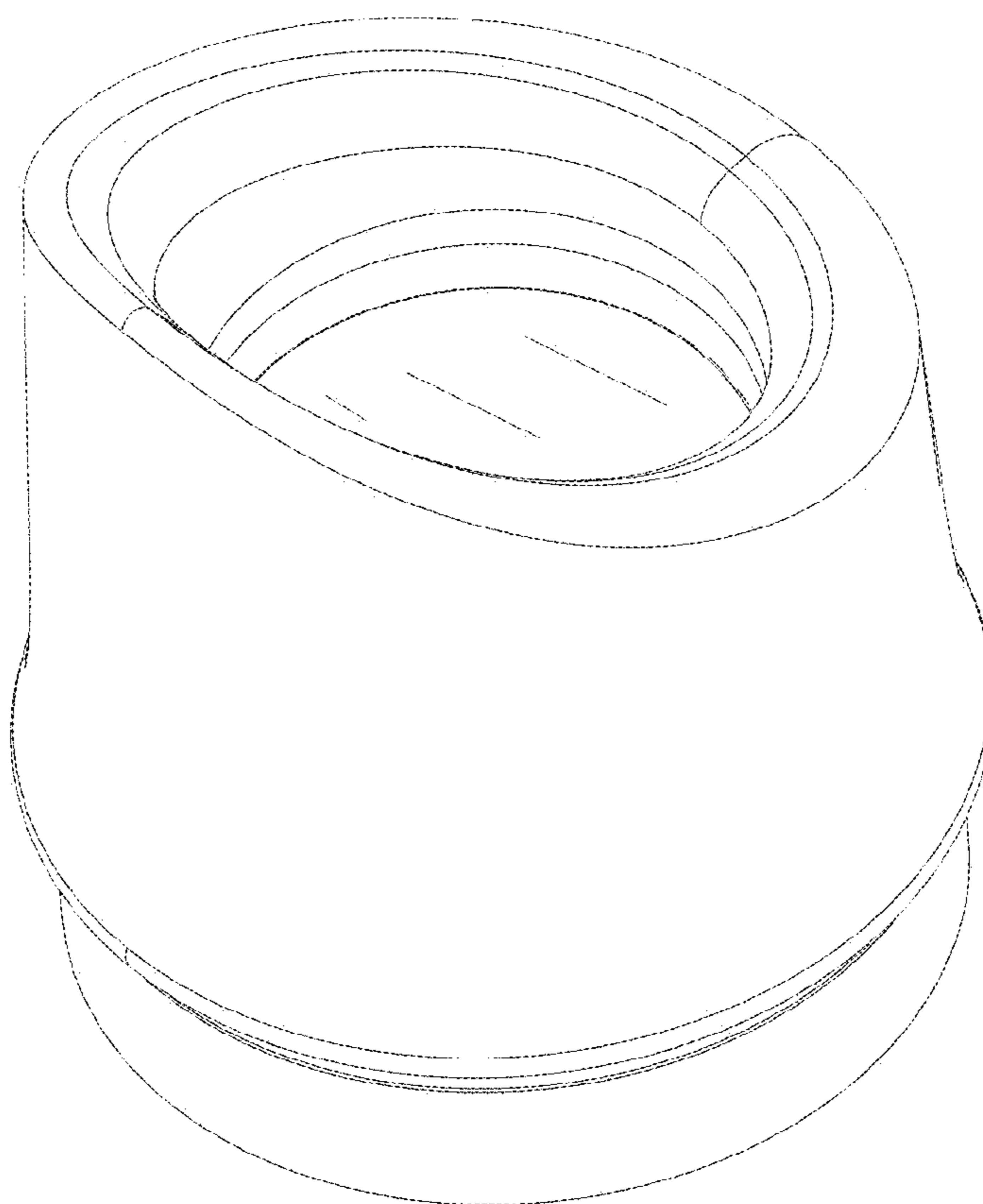


FIGURE 3

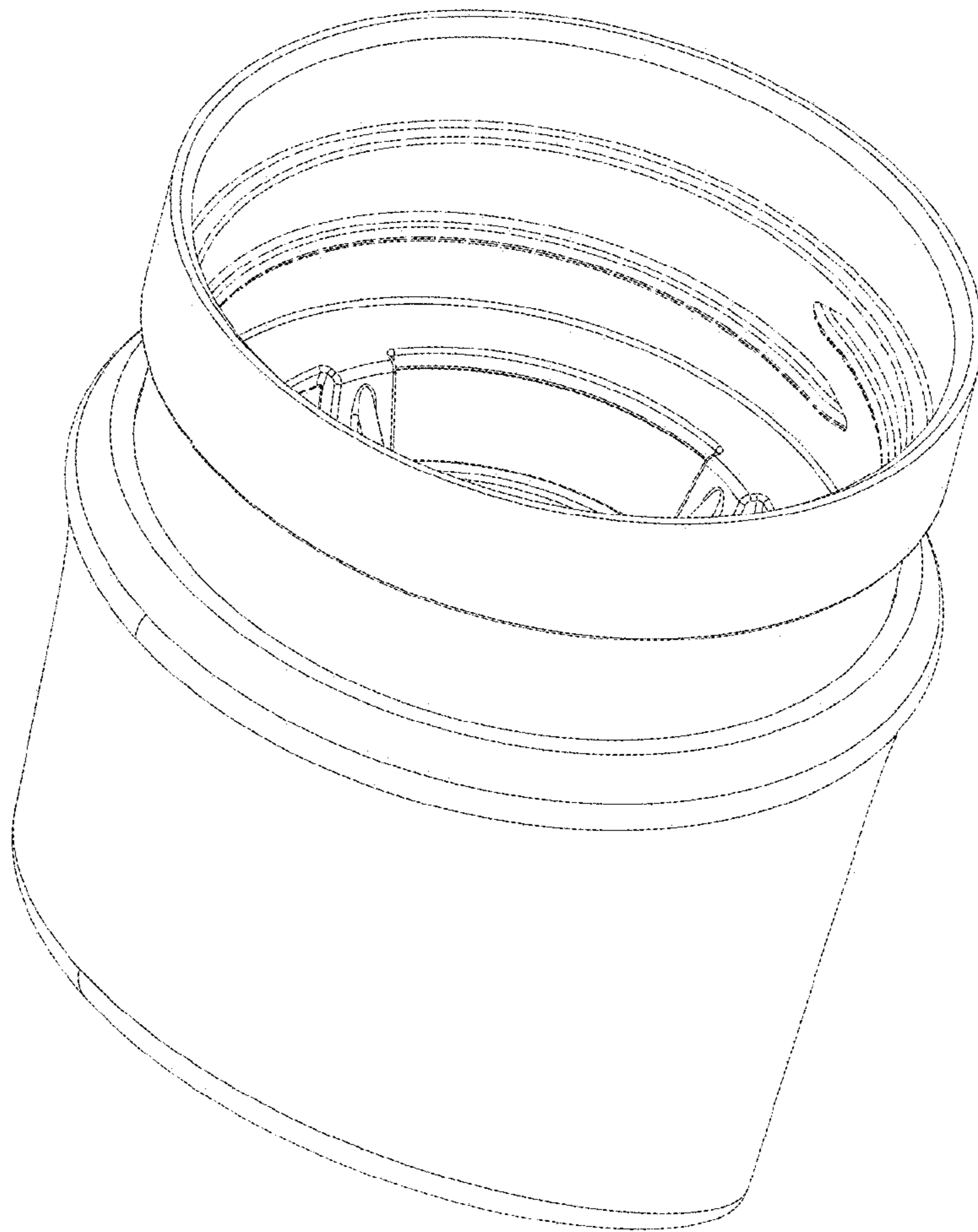


FIGURE 4

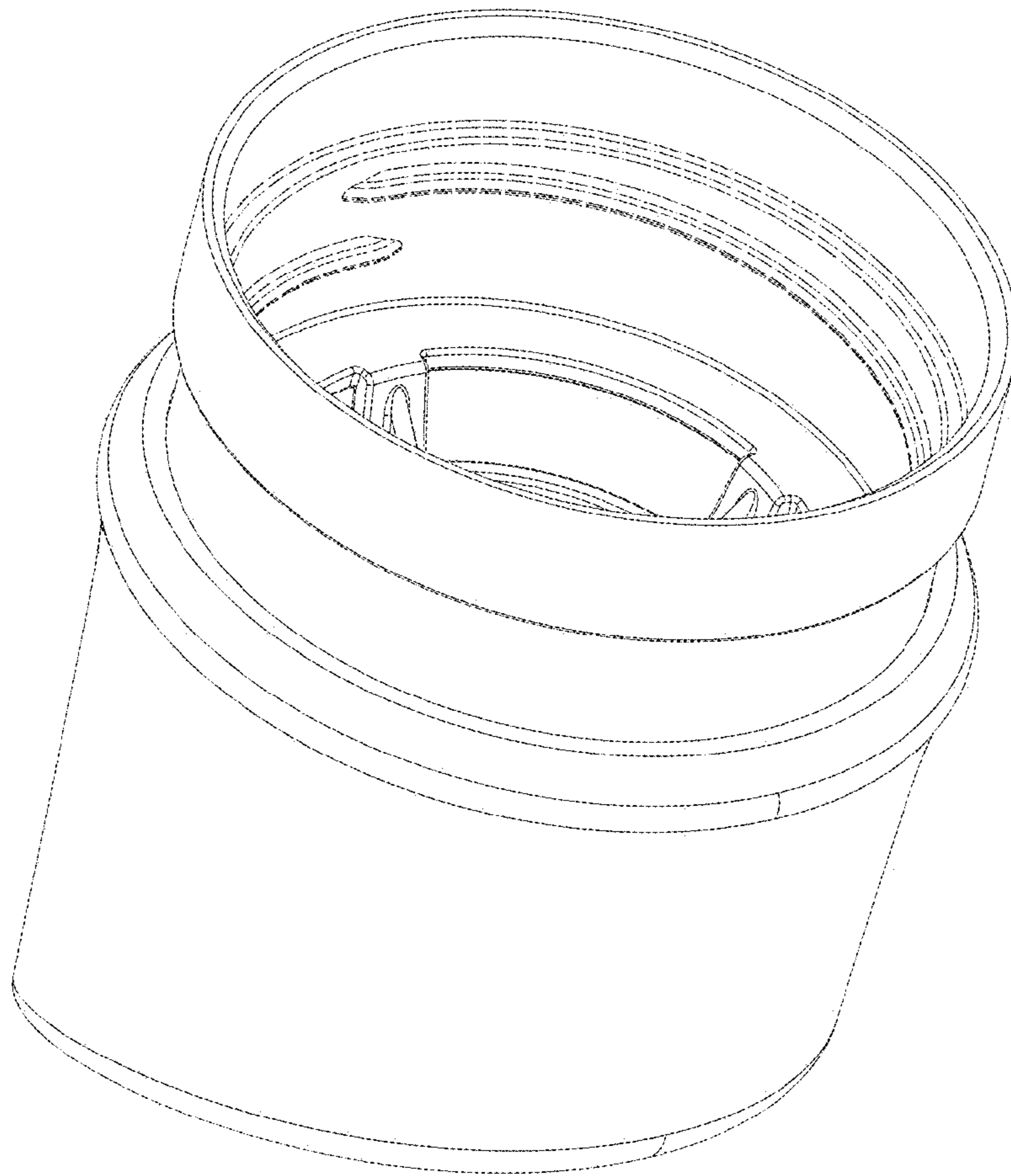


FIGURE 5

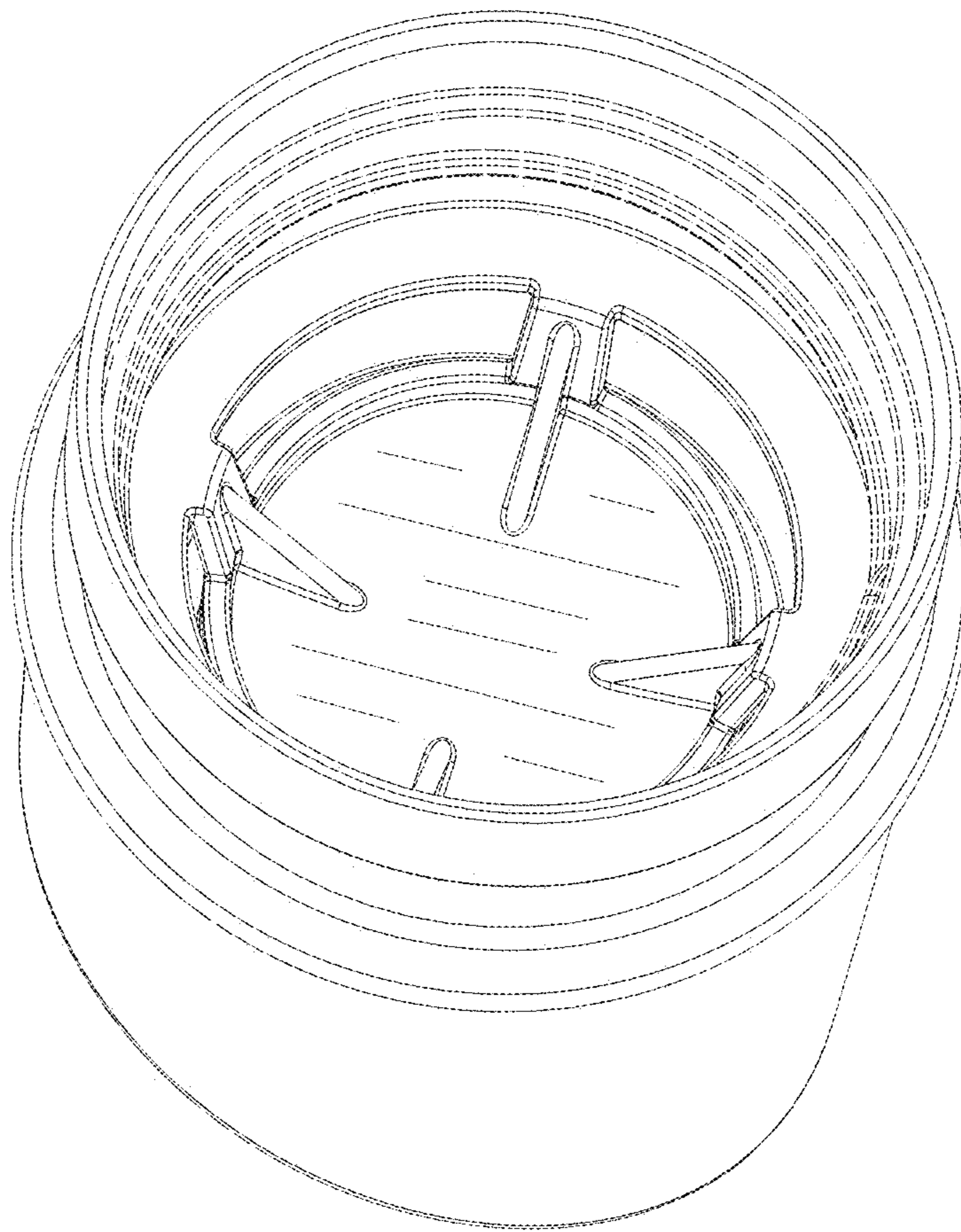


FIGURE 6

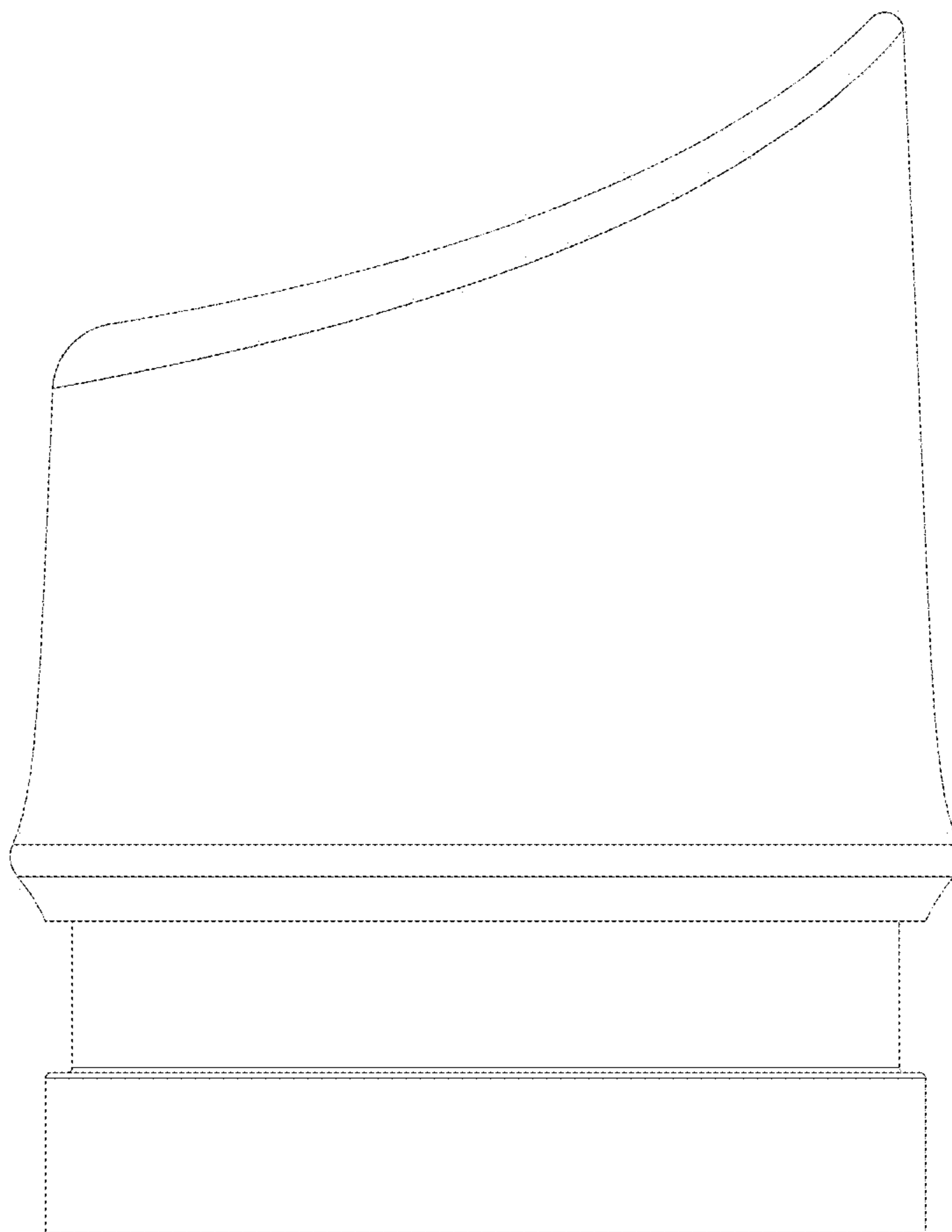


FIGURE 7

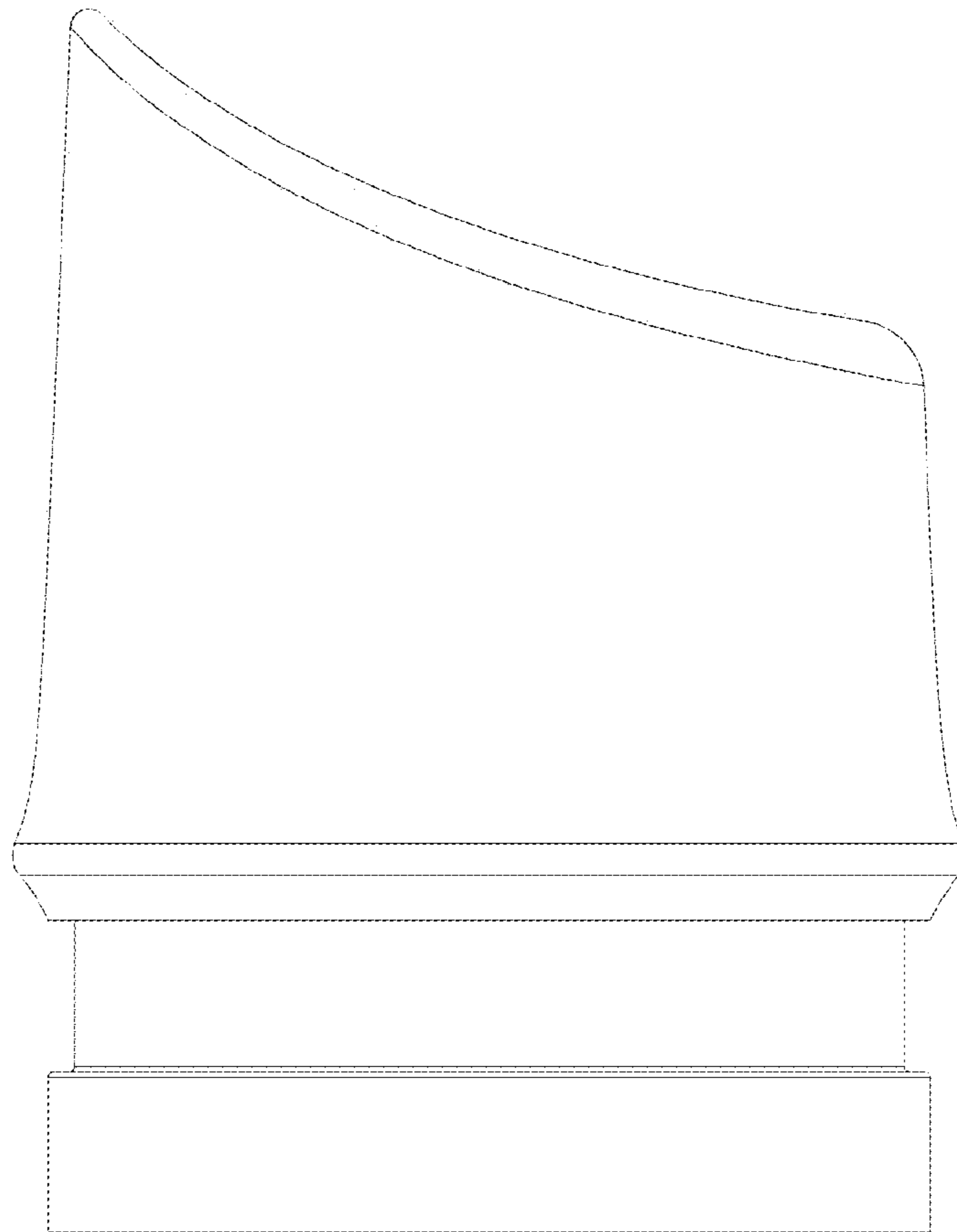


FIGURE 8

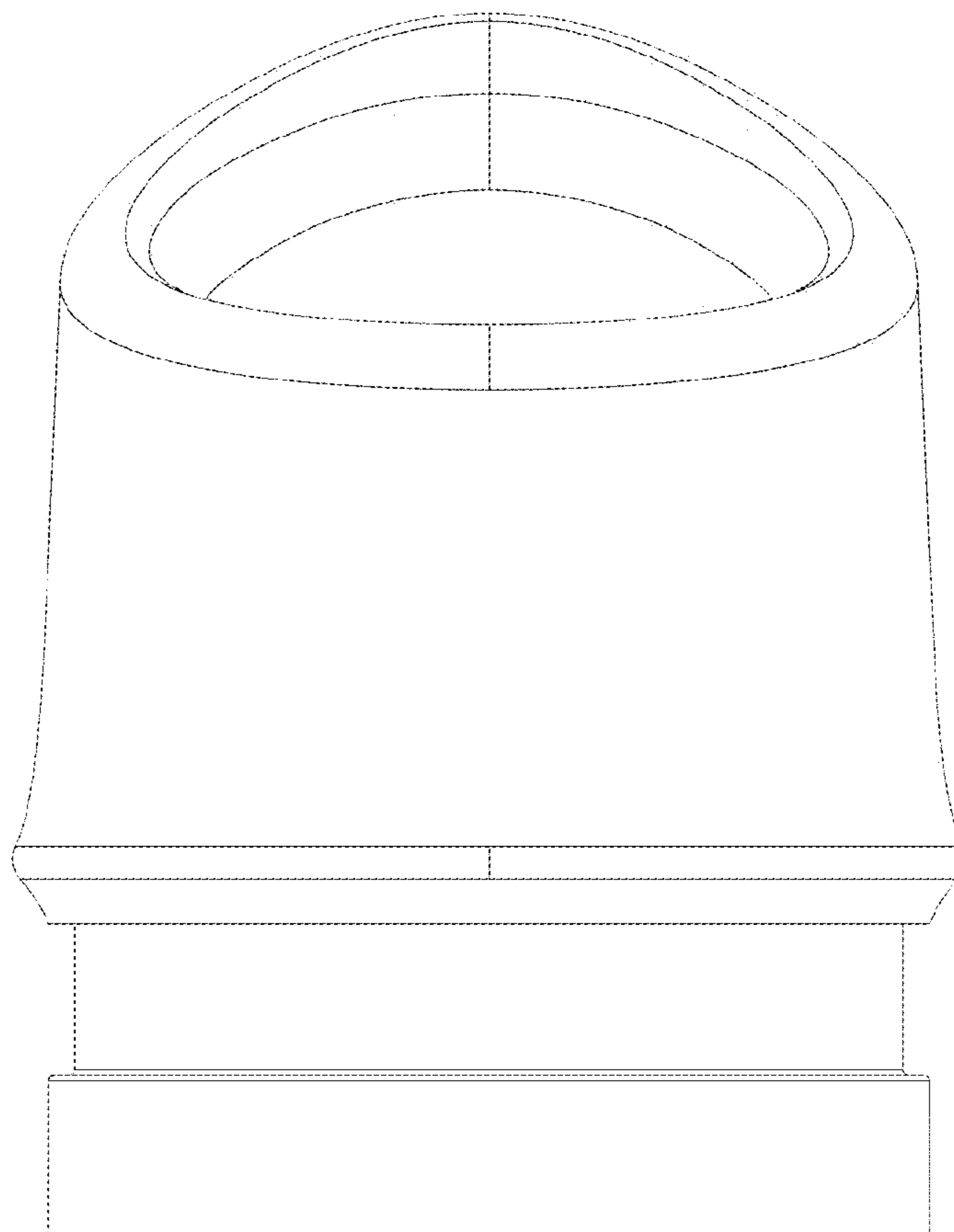


FIGURE 9

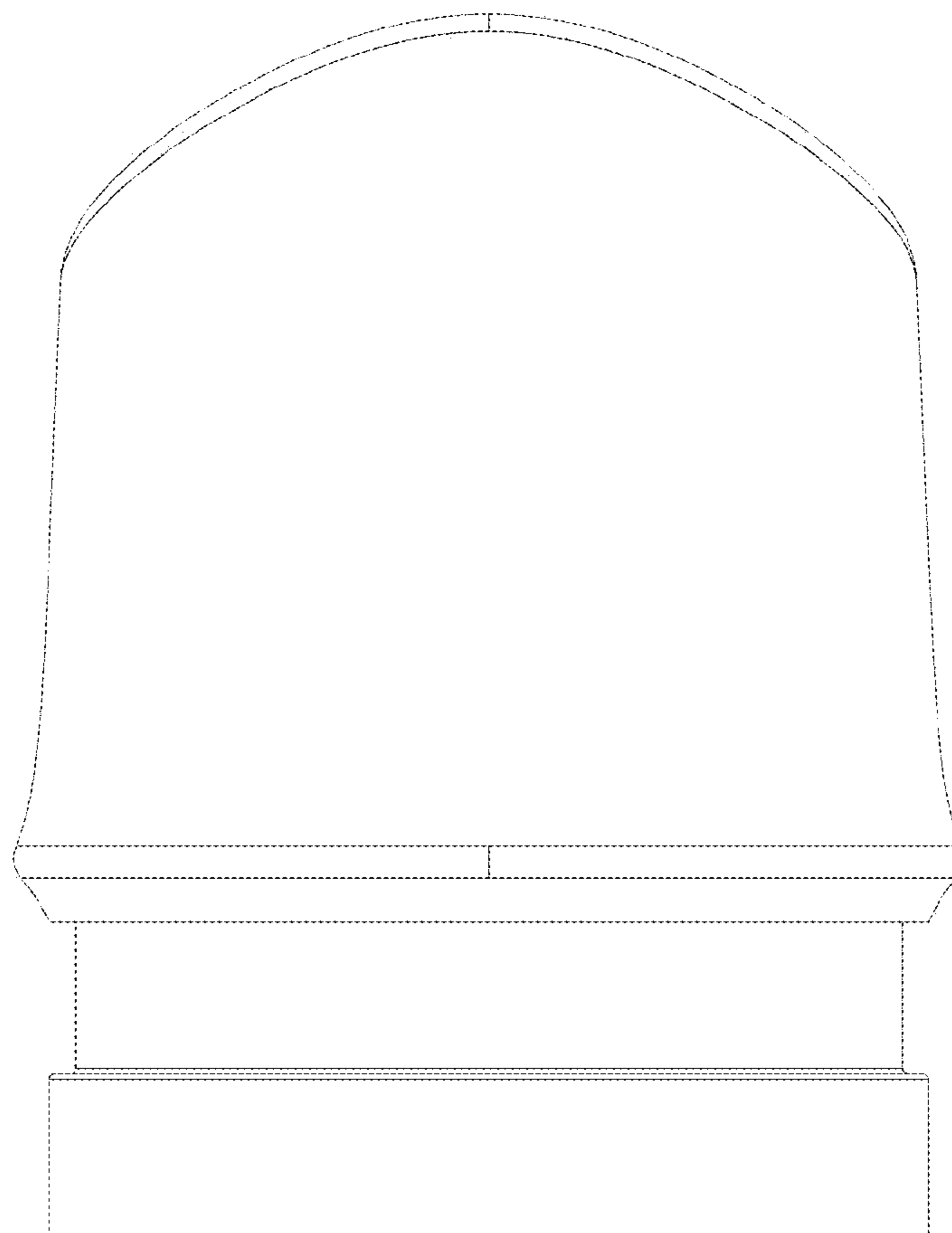


FIGURE 10

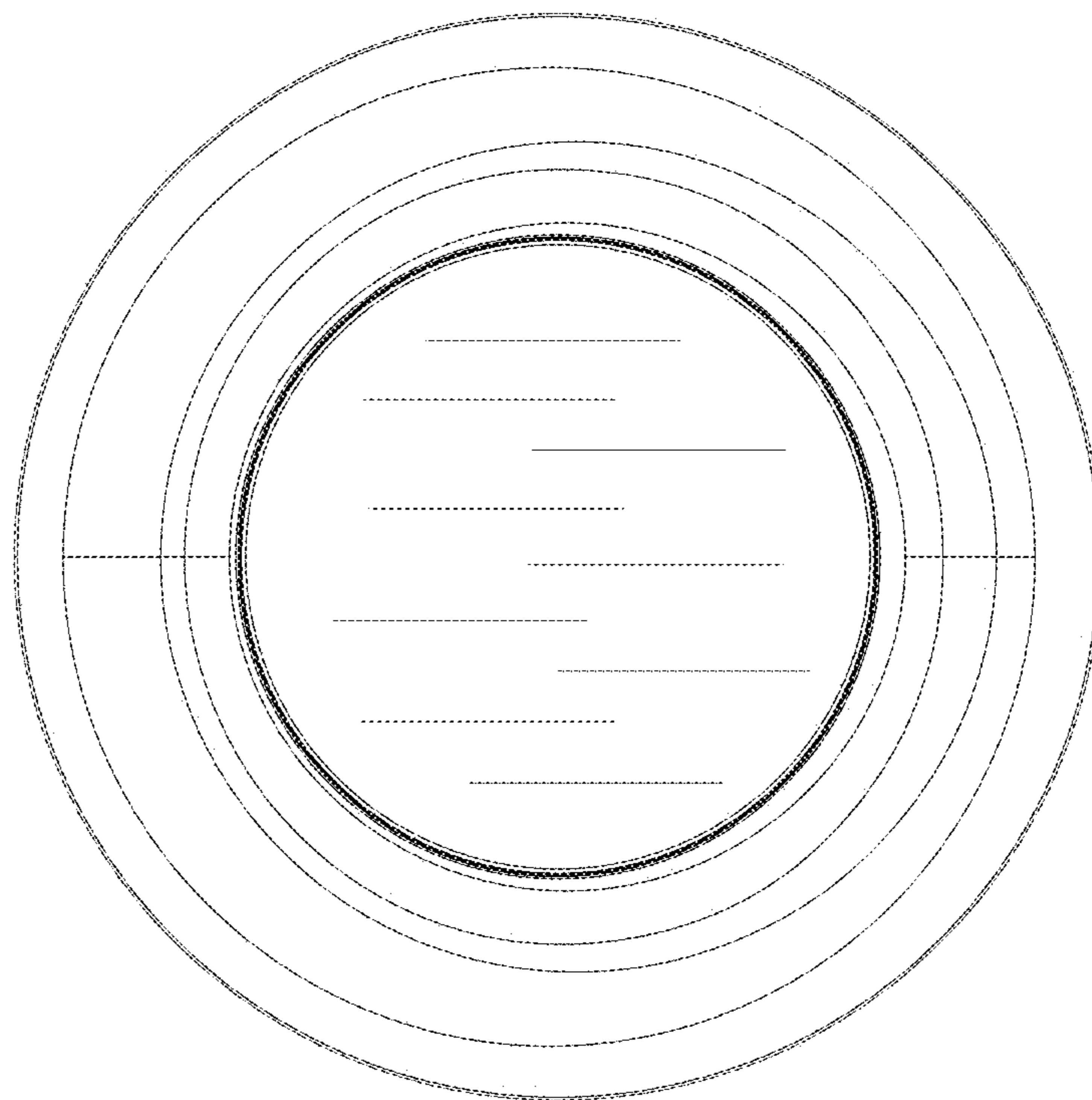


FIGURE 11

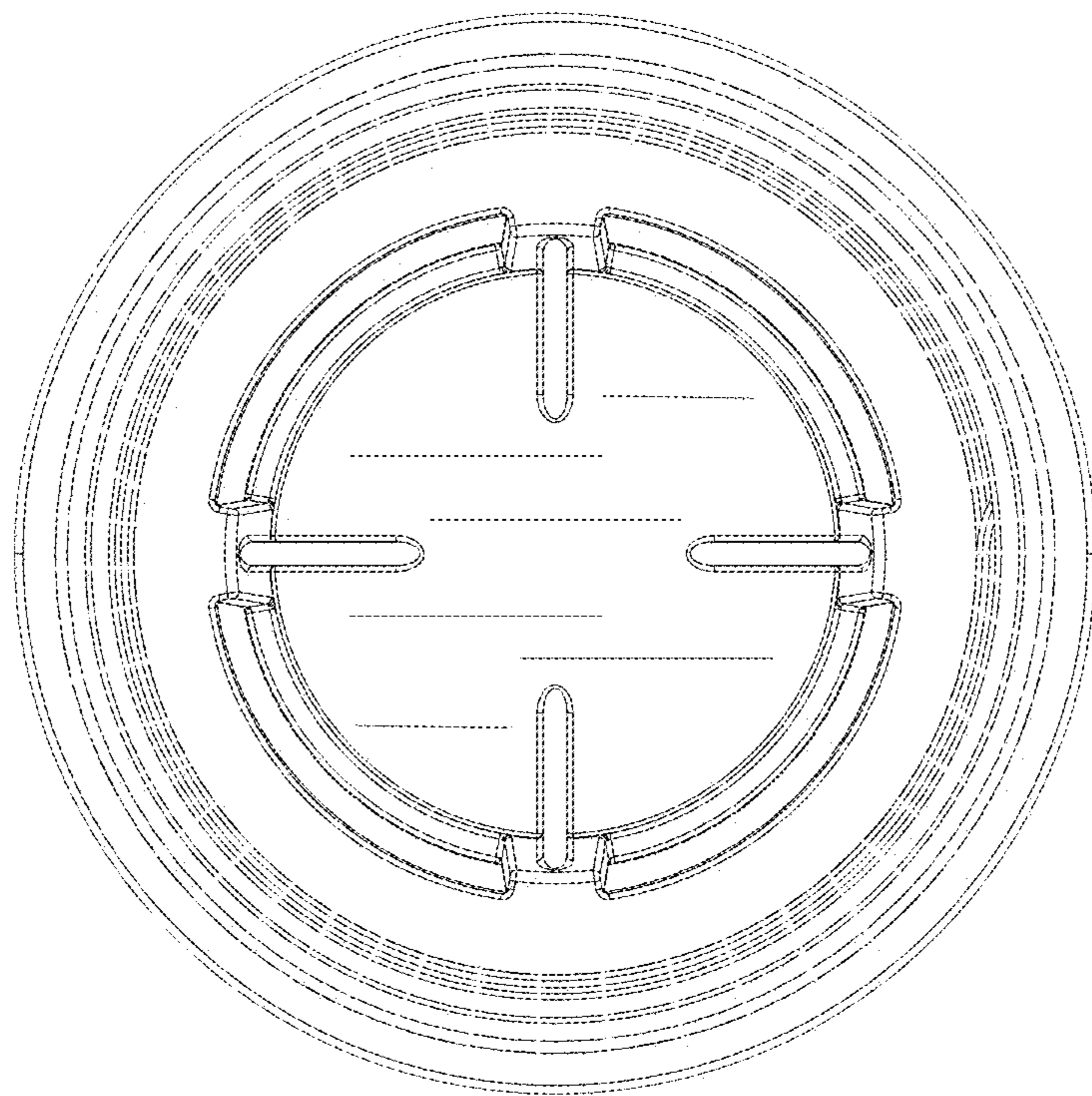


FIGURE 12

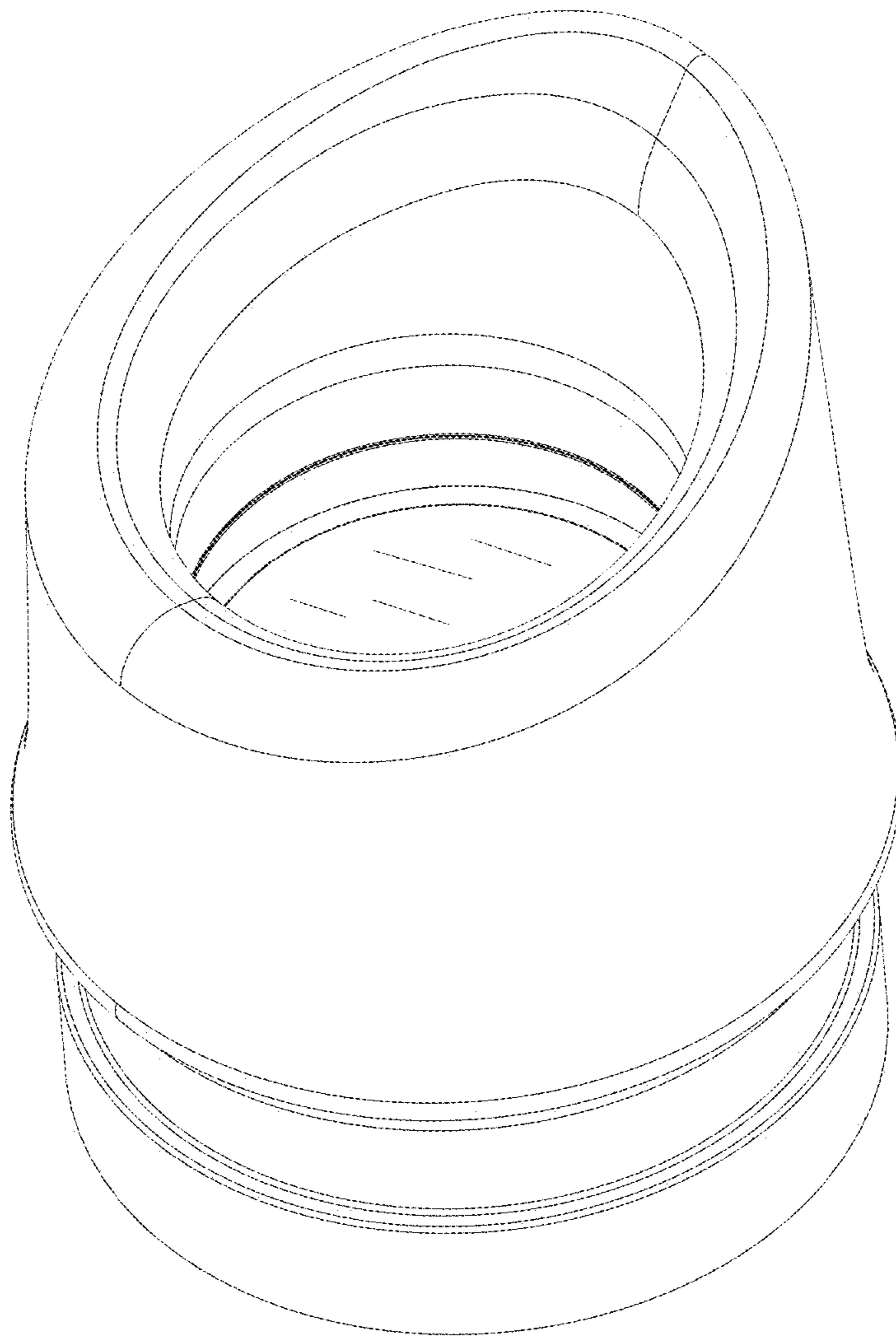


FIGURE 13

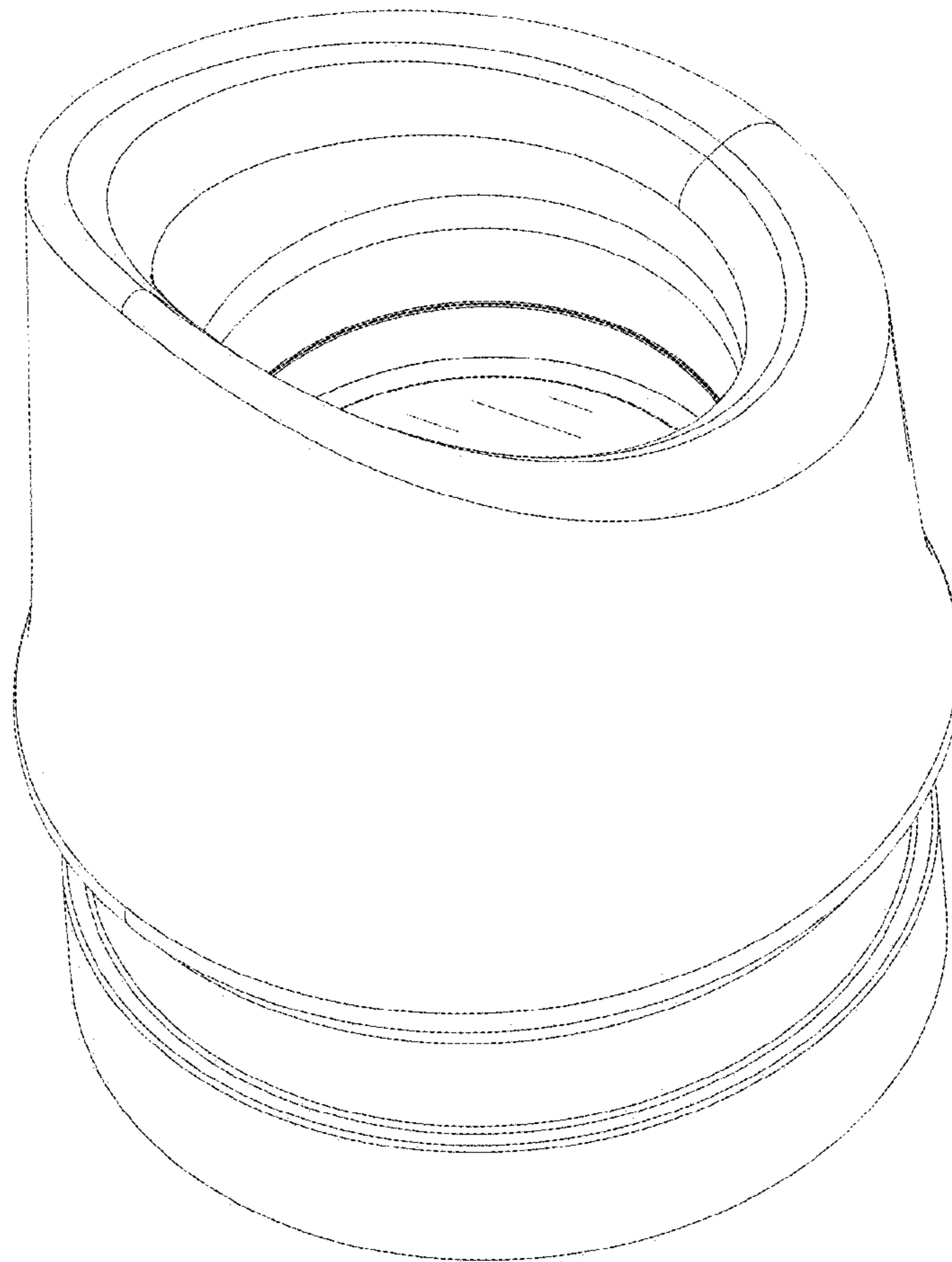


FIGURE 14

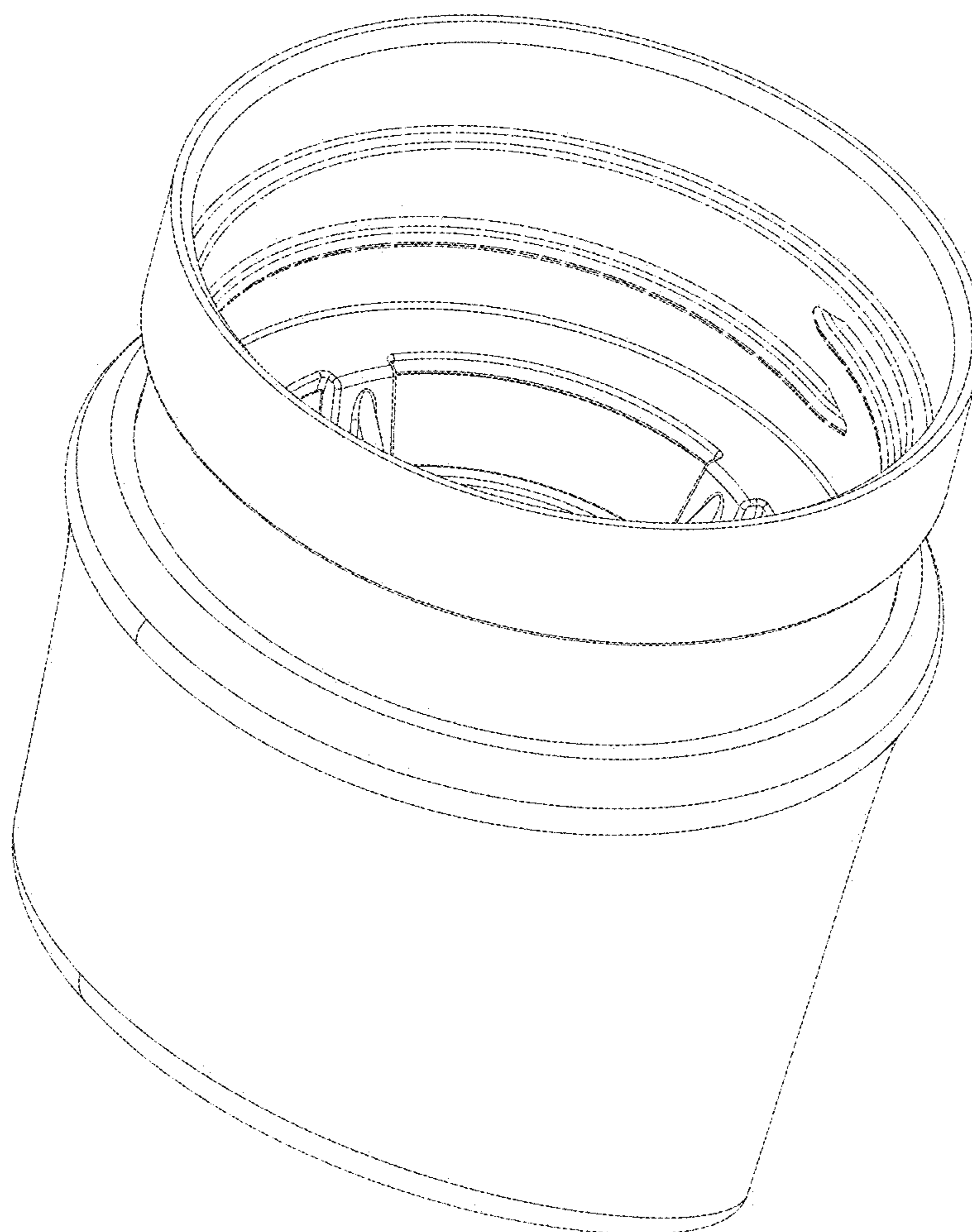


FIGURE 15

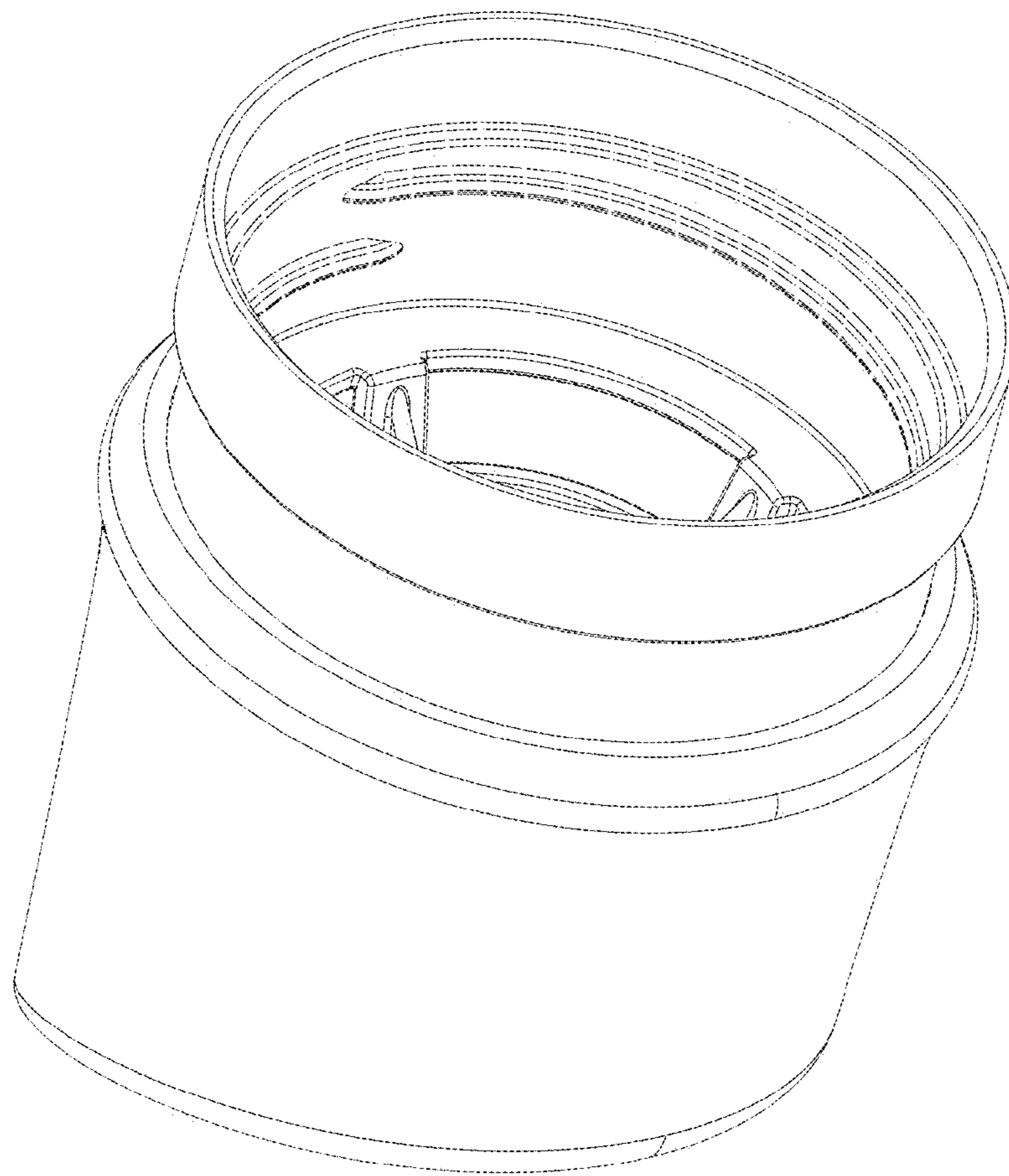


FIGURE 16

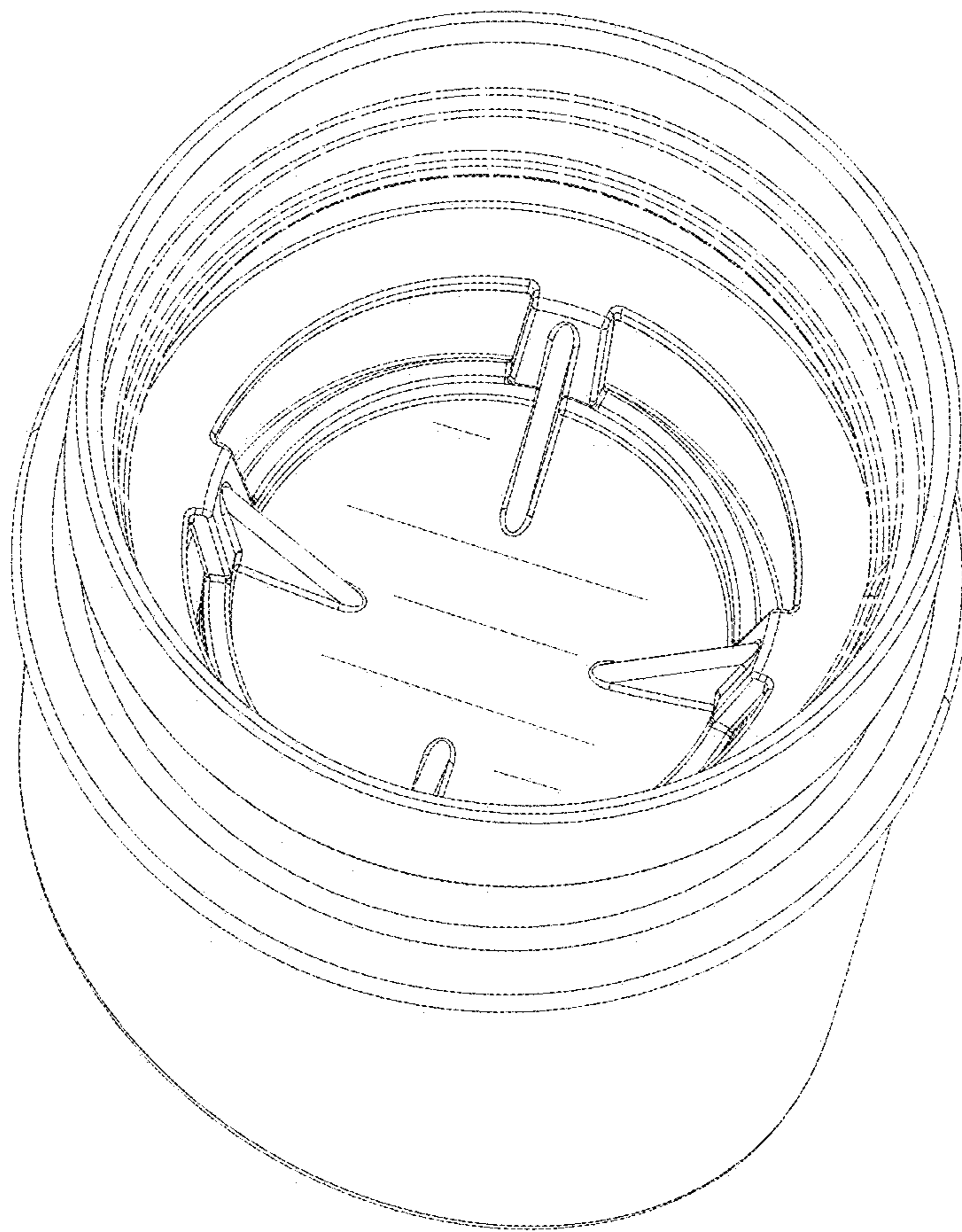


FIGURE 17

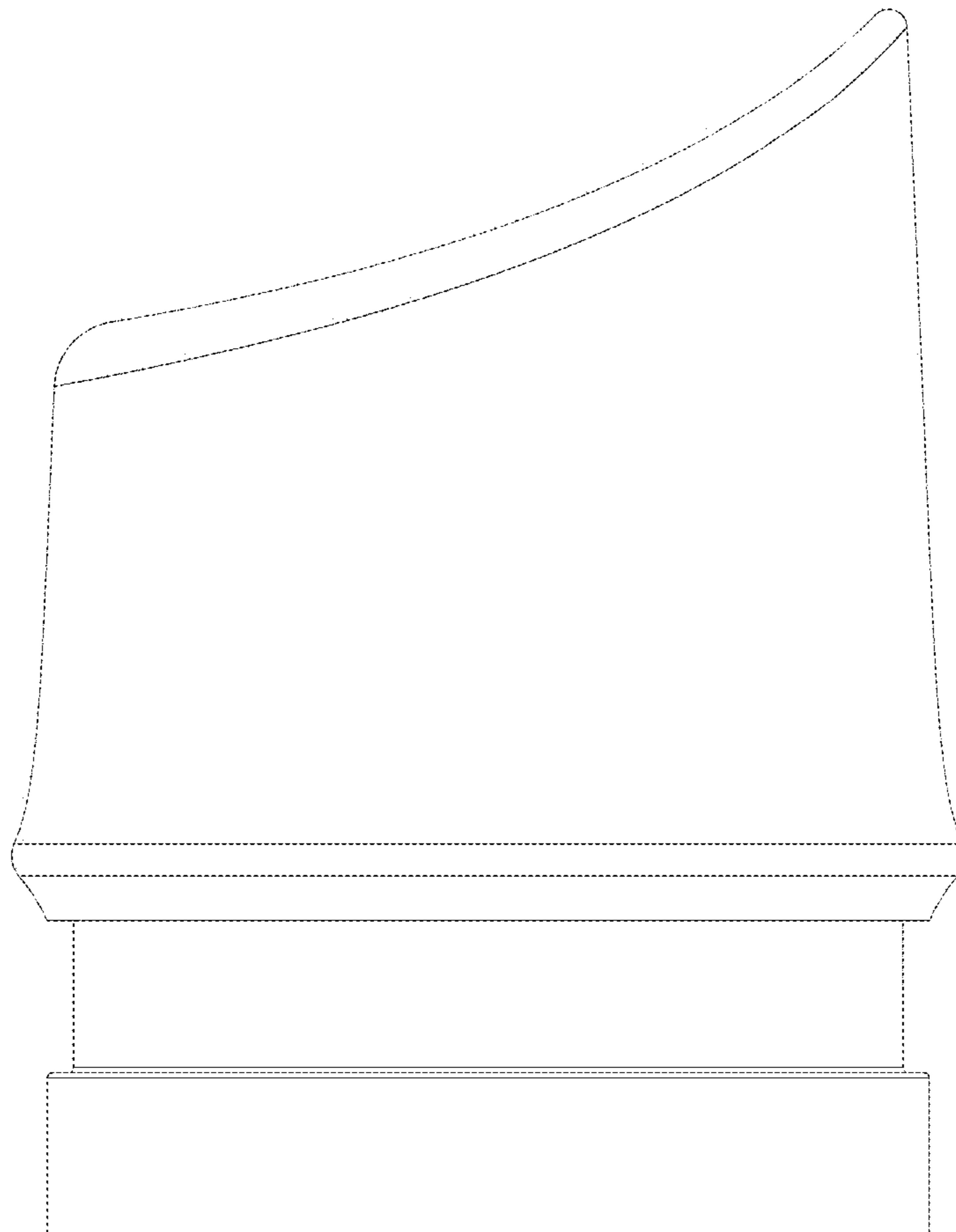


FIGURE 18

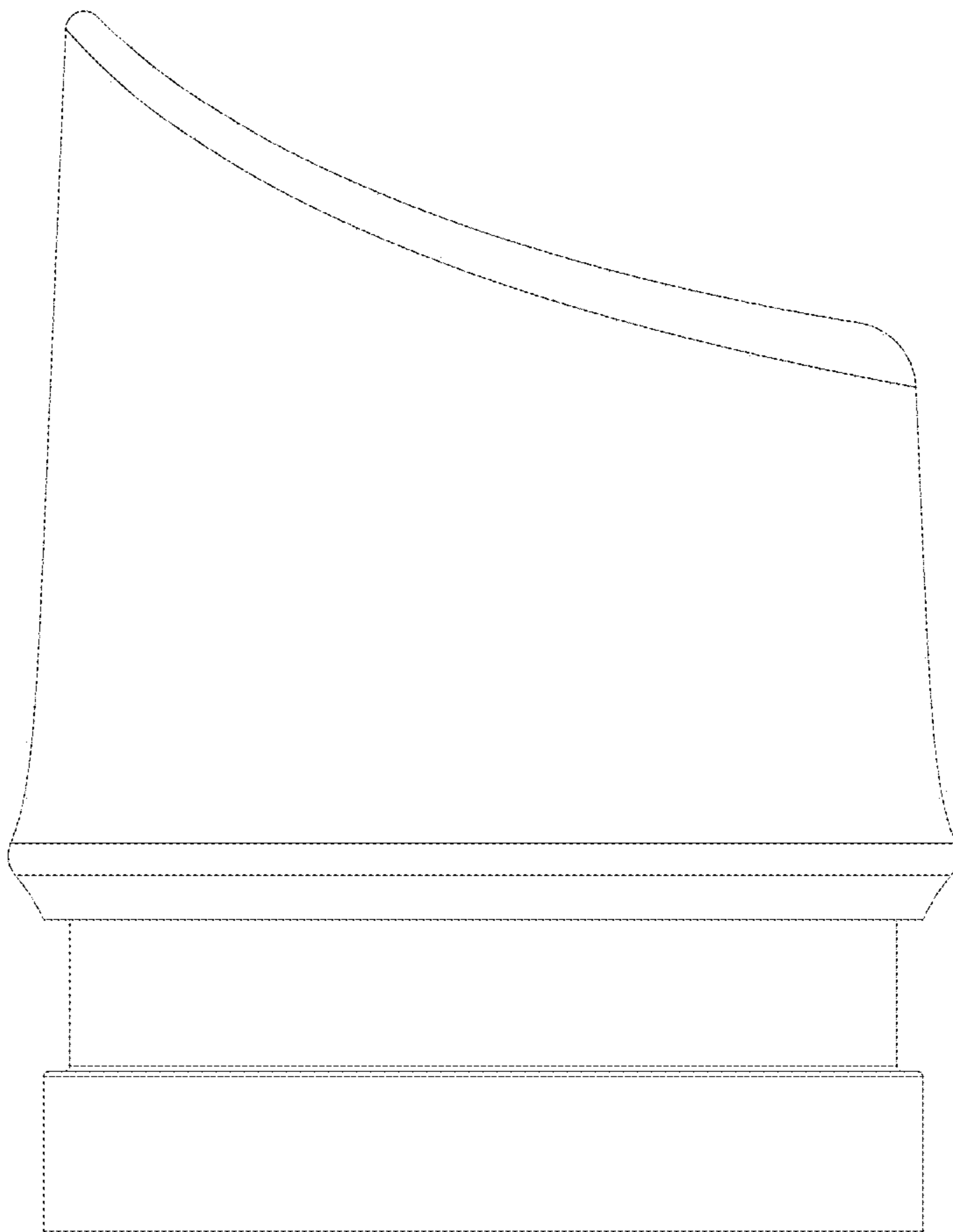


FIGURE 19

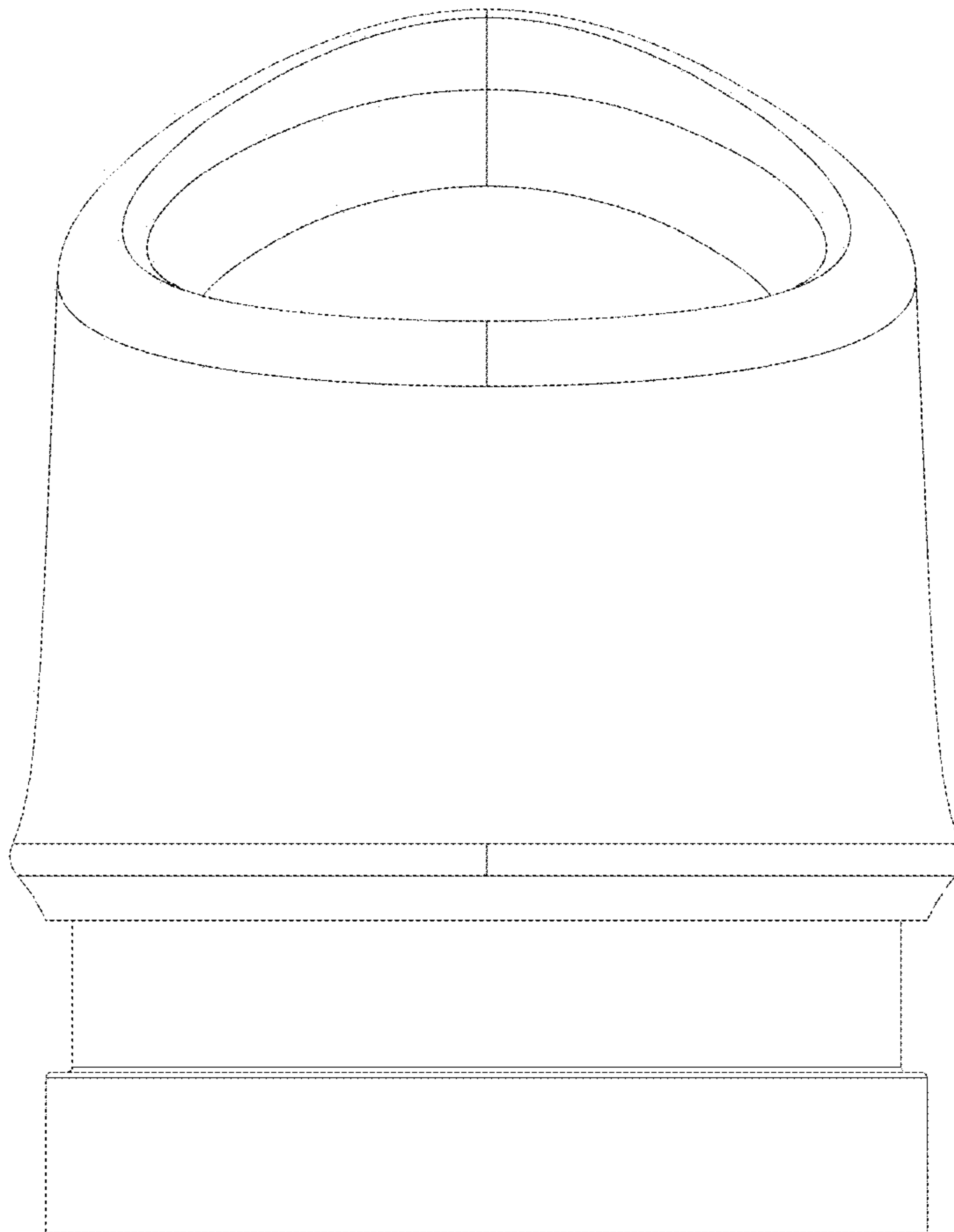


FIGURE 20

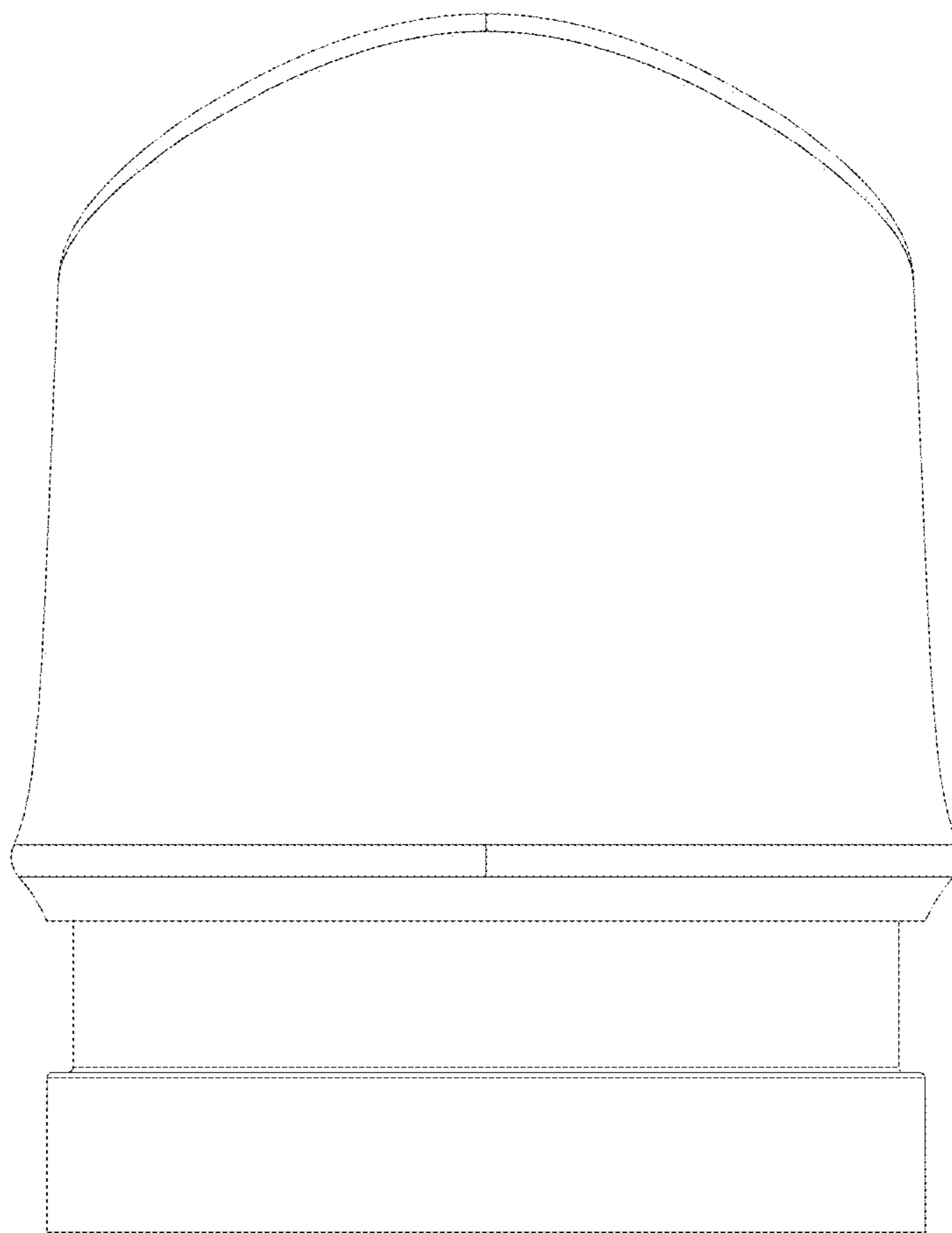


FIGURE 21

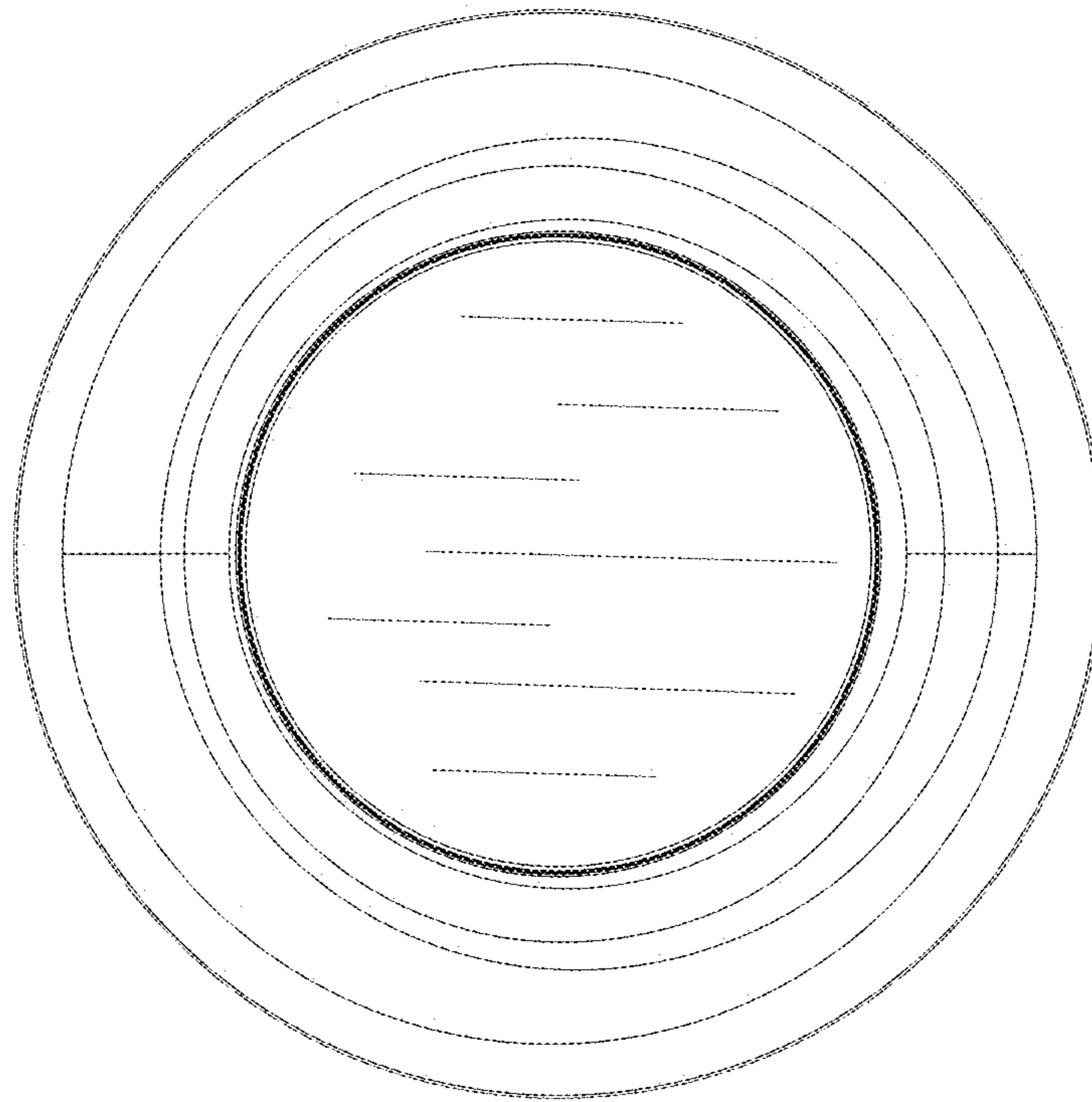


FIGURE 22

