



US00D758859S

(12) **United States Design Patent**
Sorensen et al.

(10) **Patent No.:** **US D758,859 S**
(45) **Date of Patent:** **** Jun. 14, 2016**

(54) **LID FOR A CONTAINER**

19/2272; A47G 18/22; A47G 18/23; A47F 3/14

(71) Applicant: **RUNWAY BLUE, LLC**, Lehi, UT (US)

See application file for complete search history.

(72) Inventors: **Steven M. Sorensen**, Alpine, UT (US);
Kim L. Sorensen, Alpine, UT (US);
David O. Meyers, East Layton, UT (US)

(56) **References Cited**

U.S. PATENT DOCUMENTS

(73) Assignee: **RUNWAY BLUE, LLC**, Lehi, UT (US)

D458,134 S * 6/2002 Berish D9/443
D479,800 S * 9/2003 McRae D9/443
D620,357 S * 7/2010 Jewett D9/443

(**) Term: **14 Years**

(Continued)

(21) Appl. No.: **29/514,160**

OTHER PUBLICATIONS

(22) Filed: **Jan. 8, 2015**

U.S. Appl. No. 29/514,158, filed Jan. 8, 2015, Sorensen, et al.

(51) **LOC (10) Cl.** **09-07**

(Continued)

(52) **U.S. Cl.**
USPC **D9/443**; D7/393; D7/394; D9/434;
D9/435

Primary Examiner — Thomas Johannes
Assistant Examiner — Catherine Posthauer
(74) *Attorney, Agent, or Firm* — Maschoff Brennan

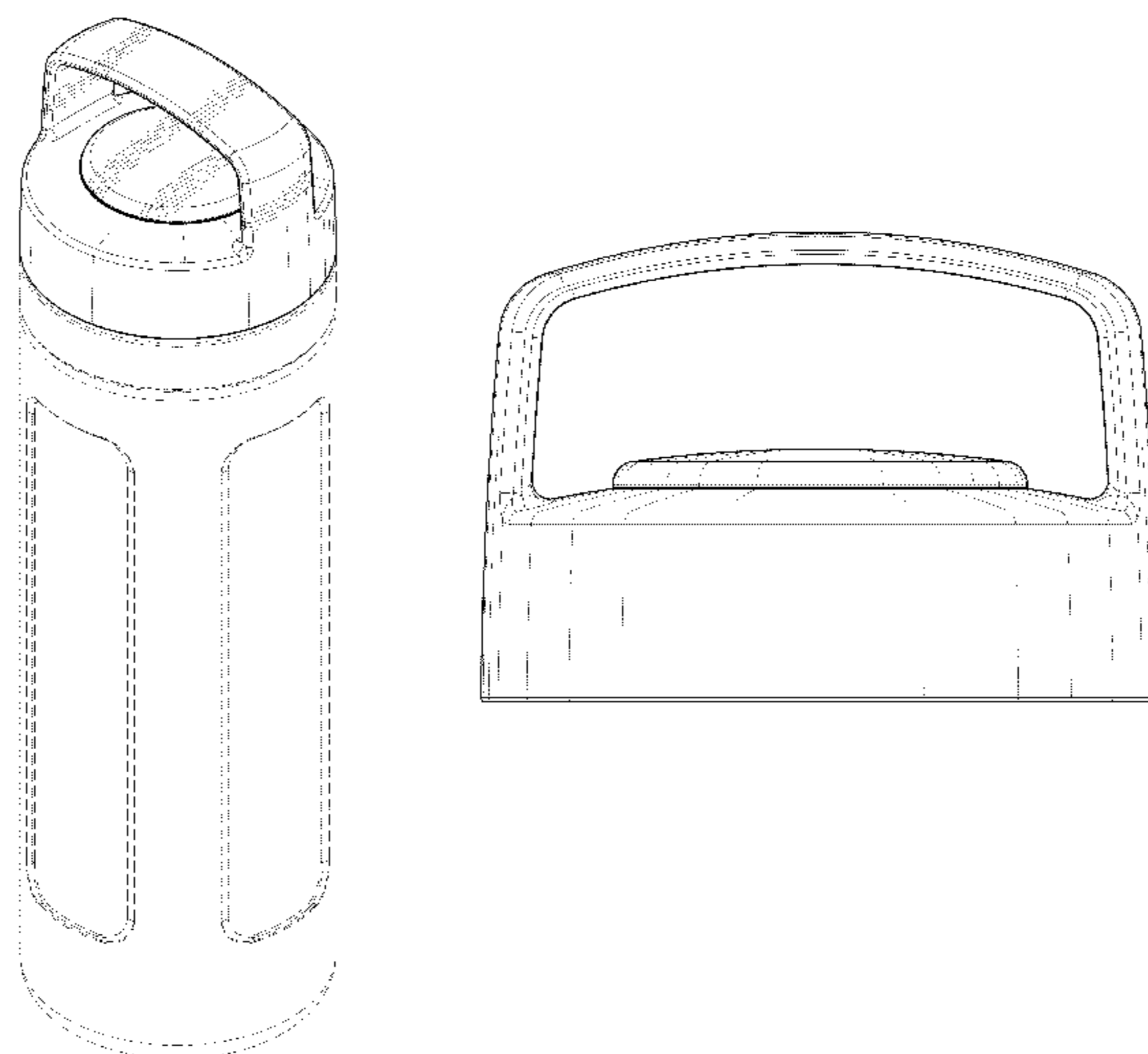
(58) **Field of Classification Search**
USPC D3/202, 203.1, 203.2, 273, 275, 294,
D3/318; D7/300, 300.1, 316, 317, 387,
D7/391, 392.1, 393, 396.2, 398, 509, 510,
D7/511, 523–531, 533, 538, 541, 549, 629,
D7/703, 900; D8/349, 350, 352;
D9/434–440, 446–450, 452–454, 502,
D9/503, 504, 516, 517, 529; D13/118,
D13/133, 154, 158, 183, 703; D19/70, 71,
D19/115, 162, 163, 165, 192, 194;
D24/121, 127, 197, 224; D26/36, 123,
D26/124; D34/7, 10, 11; 206/459.1, 501,
206/503, 504, 508, 509, 534, 545, 549;
215/201, 205, 206, 209, 211, 216, 217,
215/218, 222, 228, 230, 232, 236, 252, 270,
215/295, 341, 344, 350, 381–385;
220/212.5, 236, 293, 294, 300, 324,
220/326, 253, 254.3, 288, 574, 575, 705,
220/709, 713, 714, 726, 767, 915
CPC B65D 47/122; B65D 23/00; B65D 1/00;
B65D 1/02; B65D 1/0223; B65D 2501/00;
B65D 2501/0009; B65D 50/041; A47G

(57) **CLAIM**
The ornamental design for a lid for a container, as shown and described.

DESCRIPTION

FIG. 1 is a top perspective view of a lid for a container shown in a usage environment, forming no part of the claimed design;
FIG. 2 is an enlarged top perspective view thereof, with the usage environment removed for clarity of surface details;
FIG. 3 is a bottom perspective view thereof;
FIG. 4 is a front view thereof, with the rear view being a mirror image;
FIG. 5 is a right side view thereof, with the left side view being a mirror image;
FIG. 6 is a top view thereof; and,
FIG. 7 is a bottom view thereof.
The broken lines are shown for the purpose of illustrating environmental structure and parts of the article that form no part of the claimed design.

1 Claim, 7 Drawing Sheets



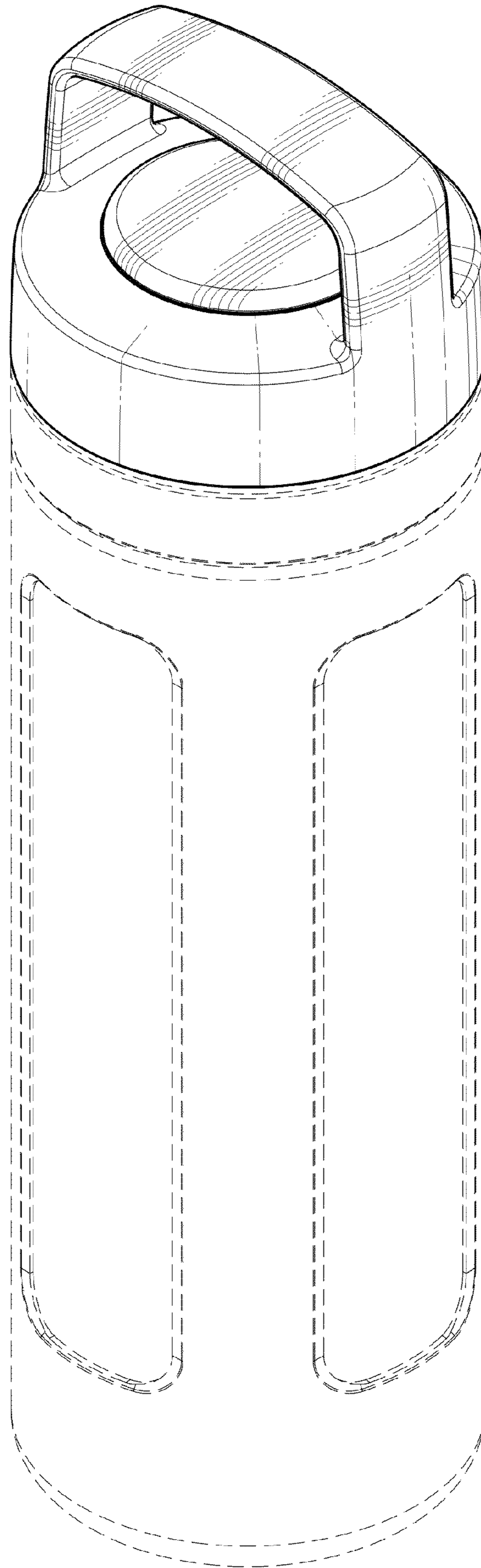


FIG. 1

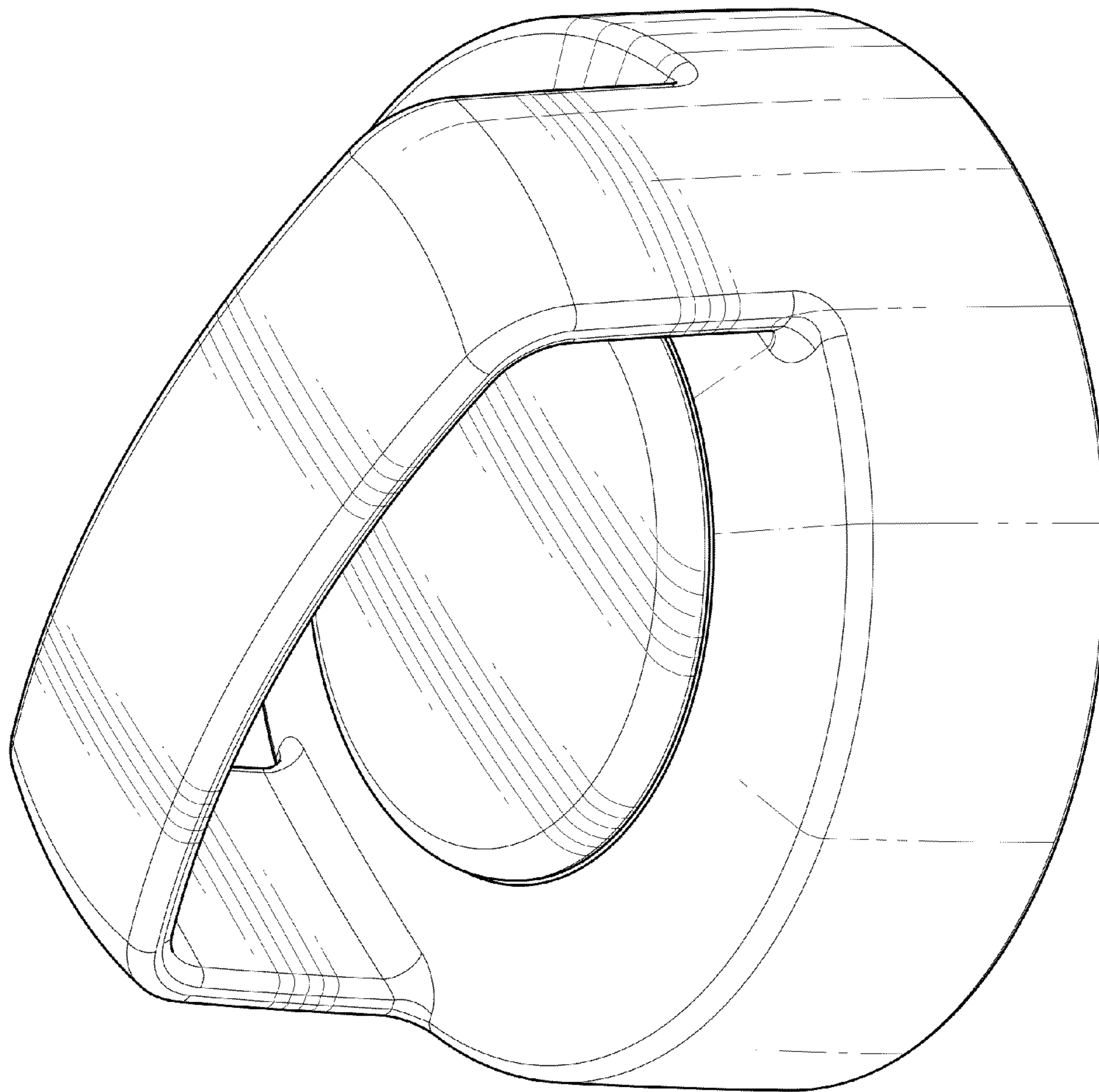


FIG. 2

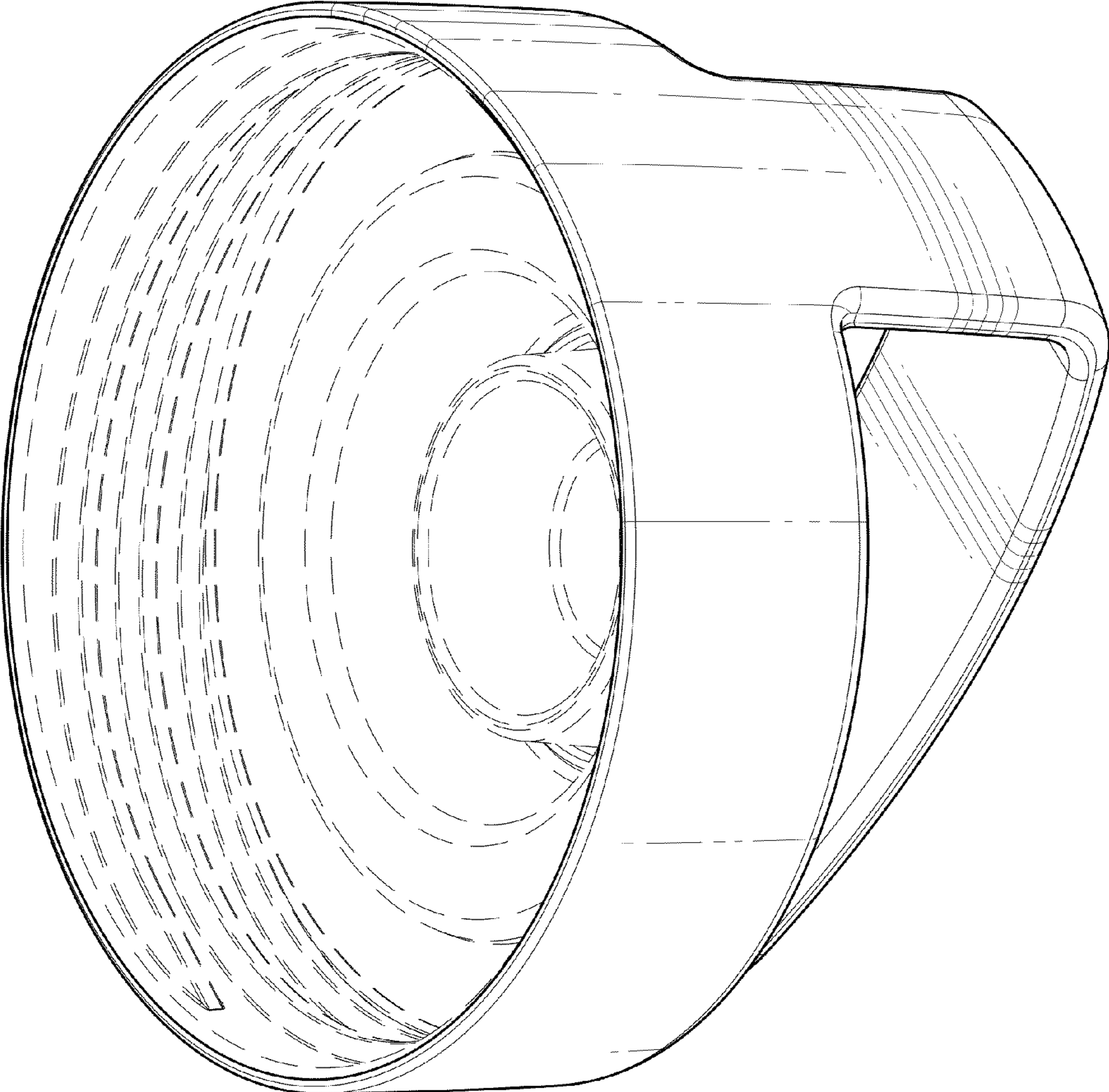


FIG. 3

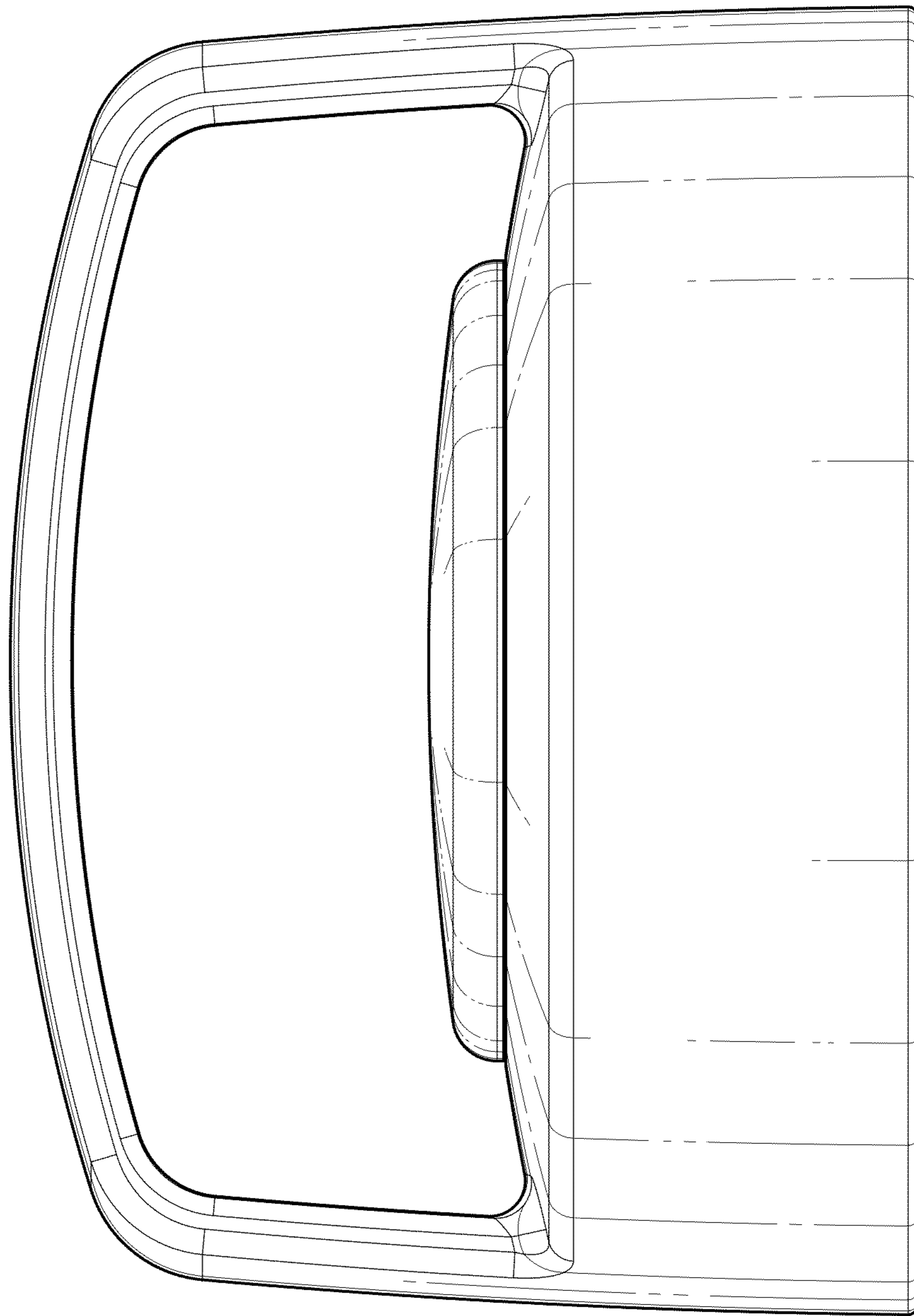


FIG. 4

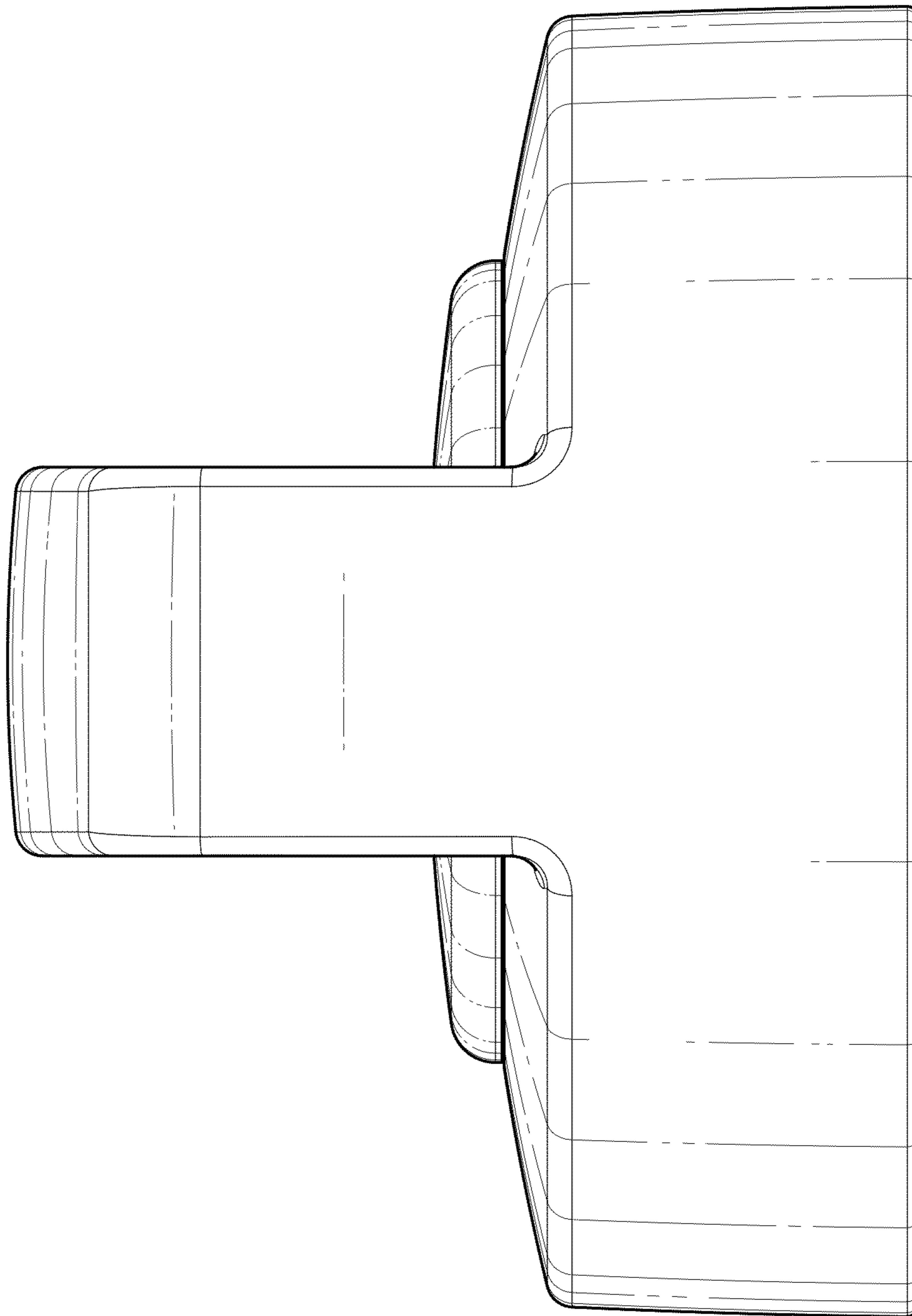


FIG. 5

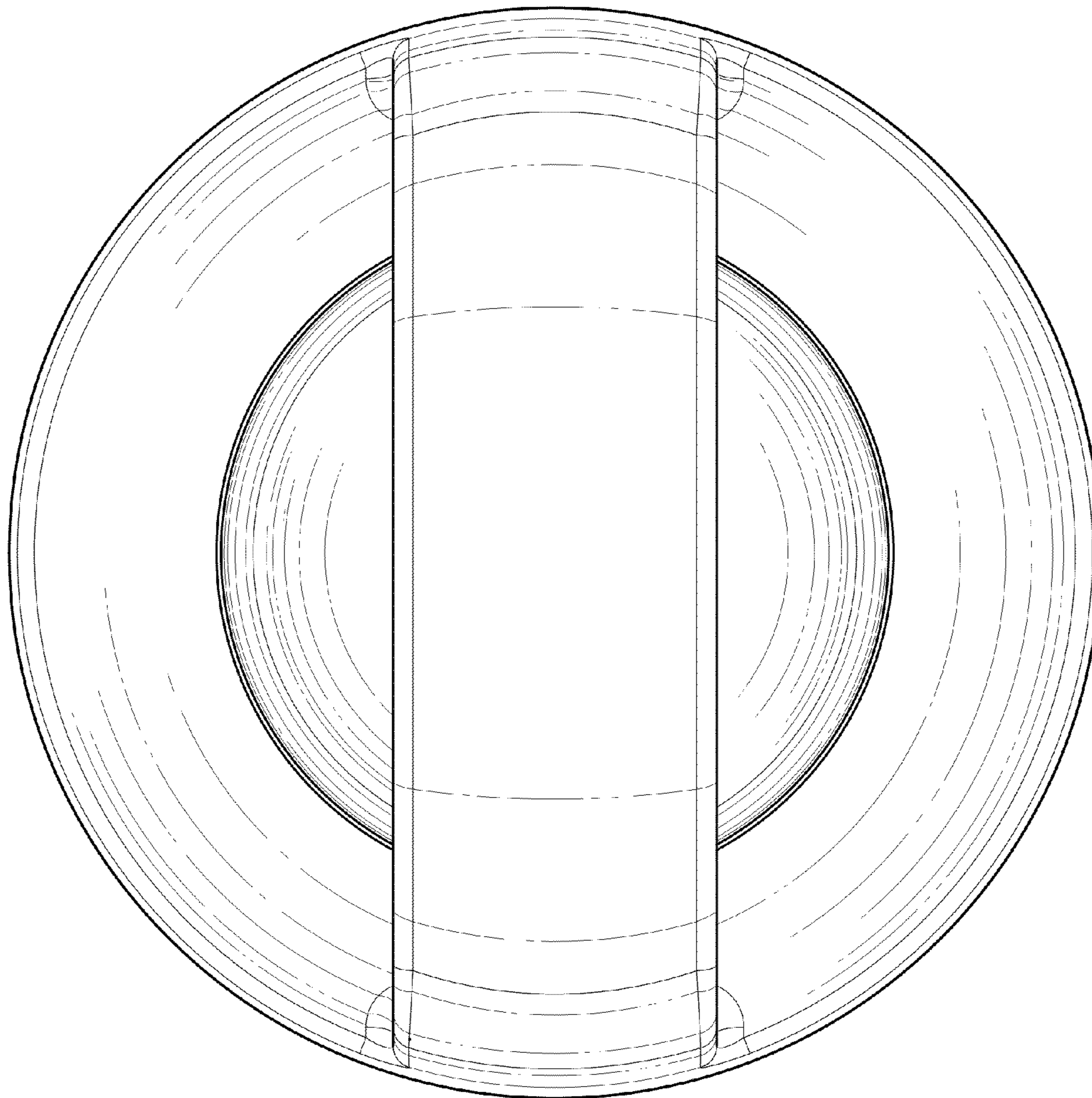


FIG. 6

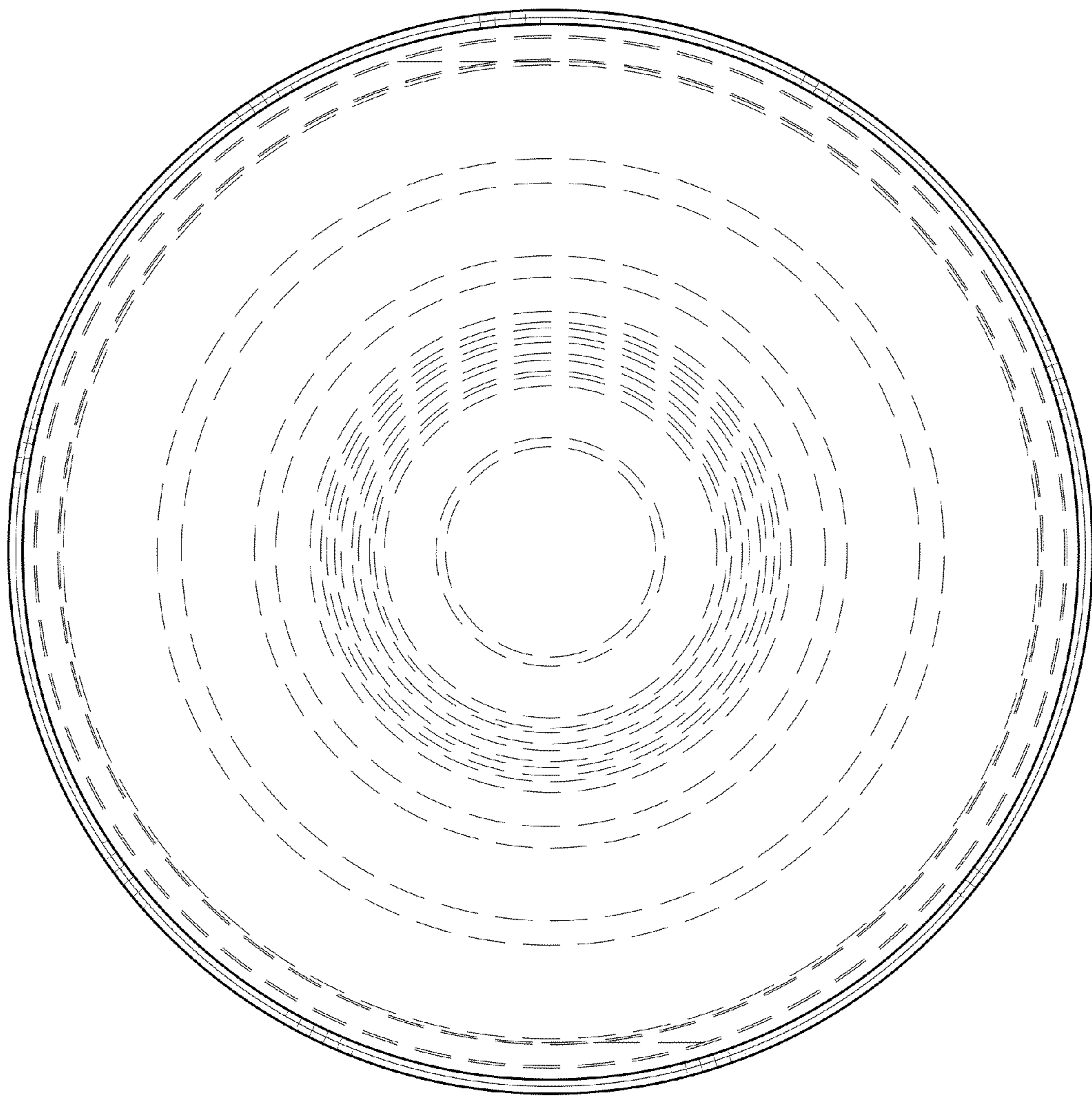


FIG. 7

UNITED STATES PATENT AND TRADEMARK OFFICE
CERTIFICATE OF CORRECTION

PATENT NO. : D758,859 S
APPLICATION NO. : 29/514160
DATED : June 14, 2016
INVENTOR(S) : Sorensen et al.

Page 1 of 1

It is certified that error appears in the above-identified patent and that said Letters Patent is hereby corrected as shown below:

On the Title Page, in item (57), under "CLAIM", in Column 2, Line 1, delete "for a lid" and insert -- of a lid --, therefor.

Signed and Sealed this
Eleventh Day of October, 2016



Michelle K. Lee
Director of the United States Patent and Trademark Office