



US00D758858S

(12) **United States Design Patent**
Greenfield

(10) **Patent No.:** **US D758,858 S**
(45) **Date of Patent:** **** Jun. 14, 2016**

(54) **BOTTLE CLOSURE WITH EASY OPEN TABS**

(71) Applicant: **Brian Greenfield**, Quebec (CA)

(72) Inventor: **Brian Greenfield**, Quebec (CA)

(**) Term: **14 Years**

(21) Appl. No.: **29/487,926**

(22) Filed: **Apr. 14, 2014**

D220,613	S	*	5/1971	Beck	D9/453
D299,699	S	*	2/1989	Ask	D9/453
5,704,502	A	*	1/1998	Greenfield	B67B 7/18 215/295
D613,161	S	*	4/2010	Greenfield	D9/443
D620,356	S	*	7/2010	Greenfield	D9/443
RE45,374	E	*	2/2015	Greenfield	D9/443
2015/0102005	A1	*	4/2015	Greenfield	B65D 41/0485 215/295

* cited by examiner

Related U.S. Application Data

(60) Division of application No. 14/245,873, filed on Apr. 4, 2014, and a continuation-in-part of application No. 29/427,828, filed on Jul. 23, 2012, now Pat. No. Re. 45,374, which is an application for the reissue of Pat. No. Des. 620,356, which is a continuation-in-part of application No. 29/346,051, filed on Oct. 26, 2009, now Pat. No. Des. 613,161.

Primary Examiner — Robert M Spear

(74) *Attorney, Agent, or Firm* — Leason Ellis LLP.

(51) **LOC (10) Cl.** **09-07**

(52) **U.S. Cl.**
USPC **D9/443; D9/453**

(58) **Field of Classification Search**
USPC D9/434, 435, 438, 439, 440, 443, 445,
D9/447, 449, 451, 452, 453, 454, 629, 705,
D9/708, 709; D7/354, 567, 571; D24/197,
D24/224
CPC B65D 41/17
See application file for complete search history.

(57) **CLAIM**

I claim the novel design for a bottle closure with easy open tabs, as shown and described.

(56) **References Cited**

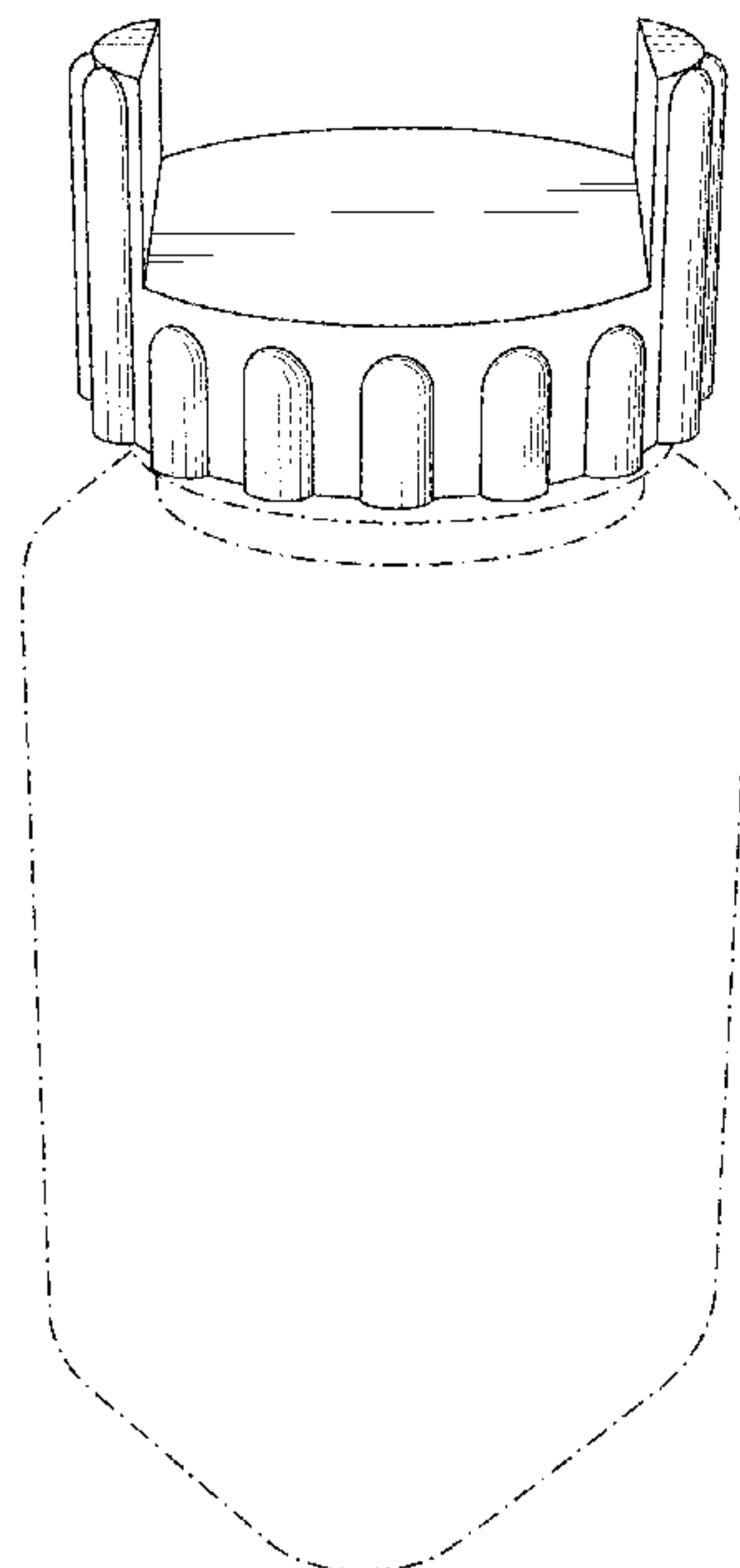
U.S. PATENT DOCUMENTS

2,190,606	A	*	2/1940	Pedder	B65D 79/02 215/228
2,844,267	A	*	7/1958	Petriccione	B65D 77/283 215/229

DESCRIPTION

FIG. 1 is a top, front, perspective view of my new design for a bottle closure with easy open tabs;
FIG. 2 is a front elevation view thereof, the rear elevation view being a mirror image thereof;
FIG. 3 is a left side elevation view thereof; the right side elevation view being a mirror image thereof;
FIG. 4 is a top plan view thereof; and,
FIG. 5 is a bottom plan view thereof.
The dash-dot-dash broken lines in the drawings represent unclaimed environmental subject matter and the evenly-spaced broken lines in FIG. 5 define the claim boundaries. The broken lines form no part of the claim.

1 Claim, 5 Drawing Sheets



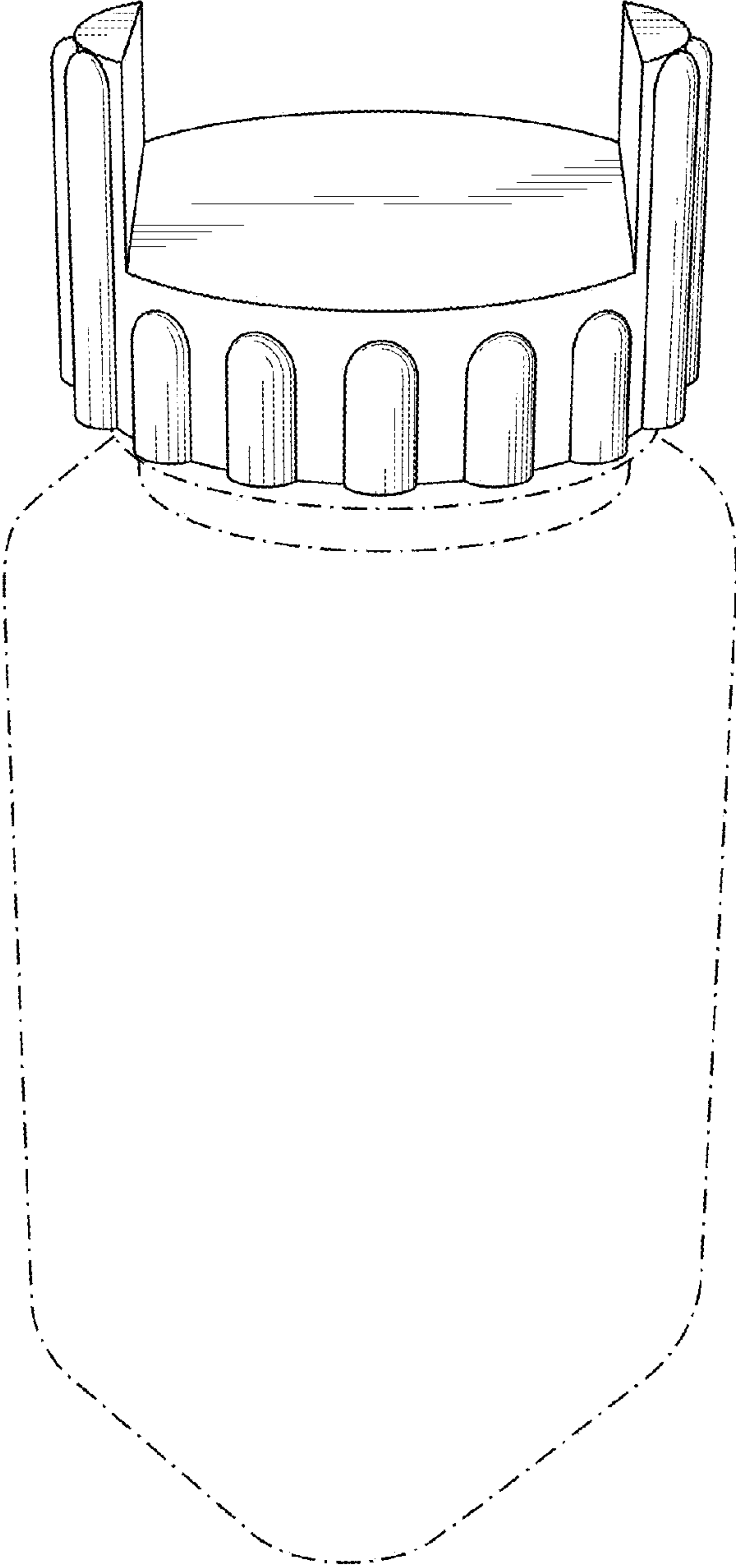


Fig. 1

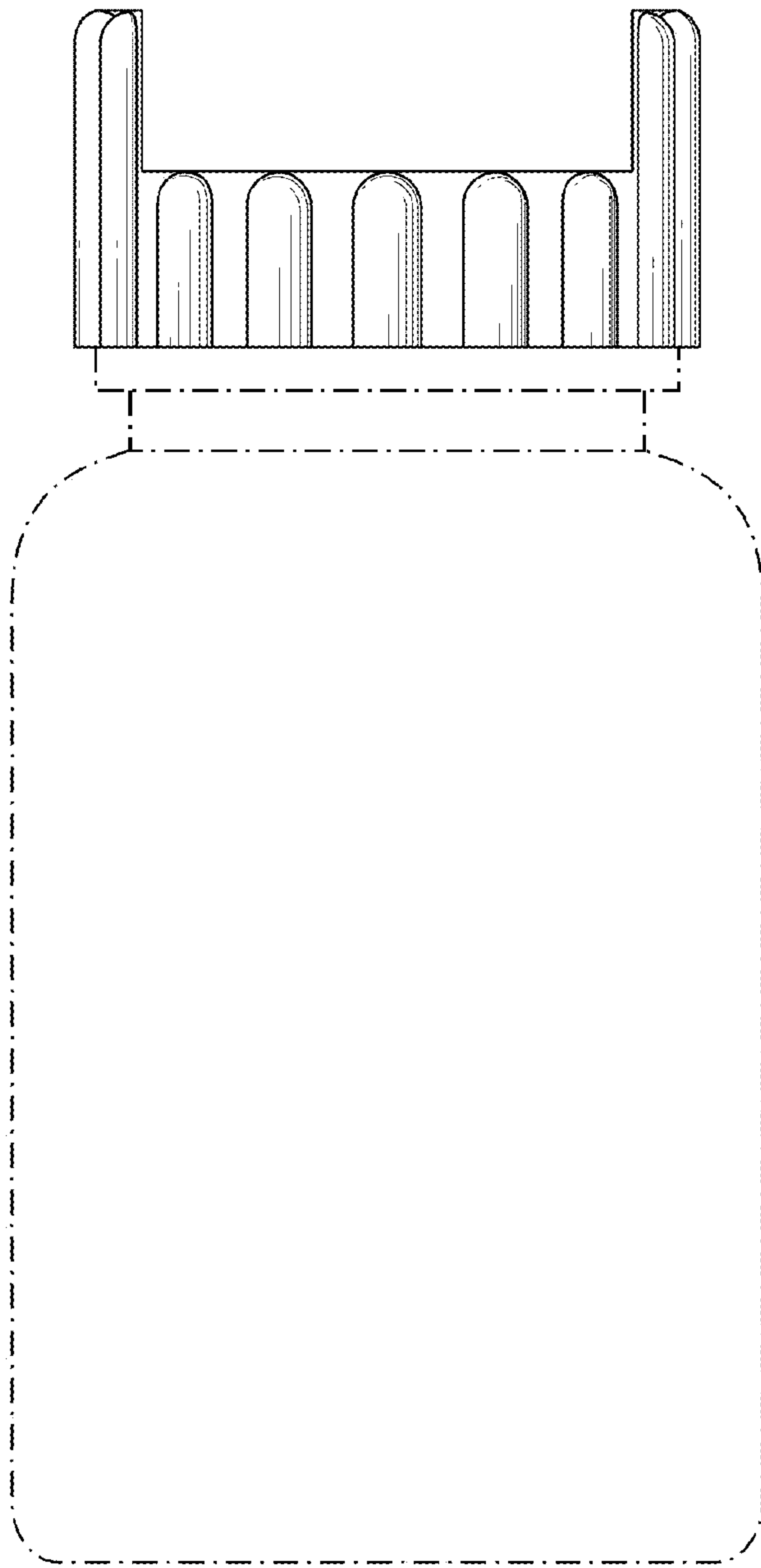


Fig. 2

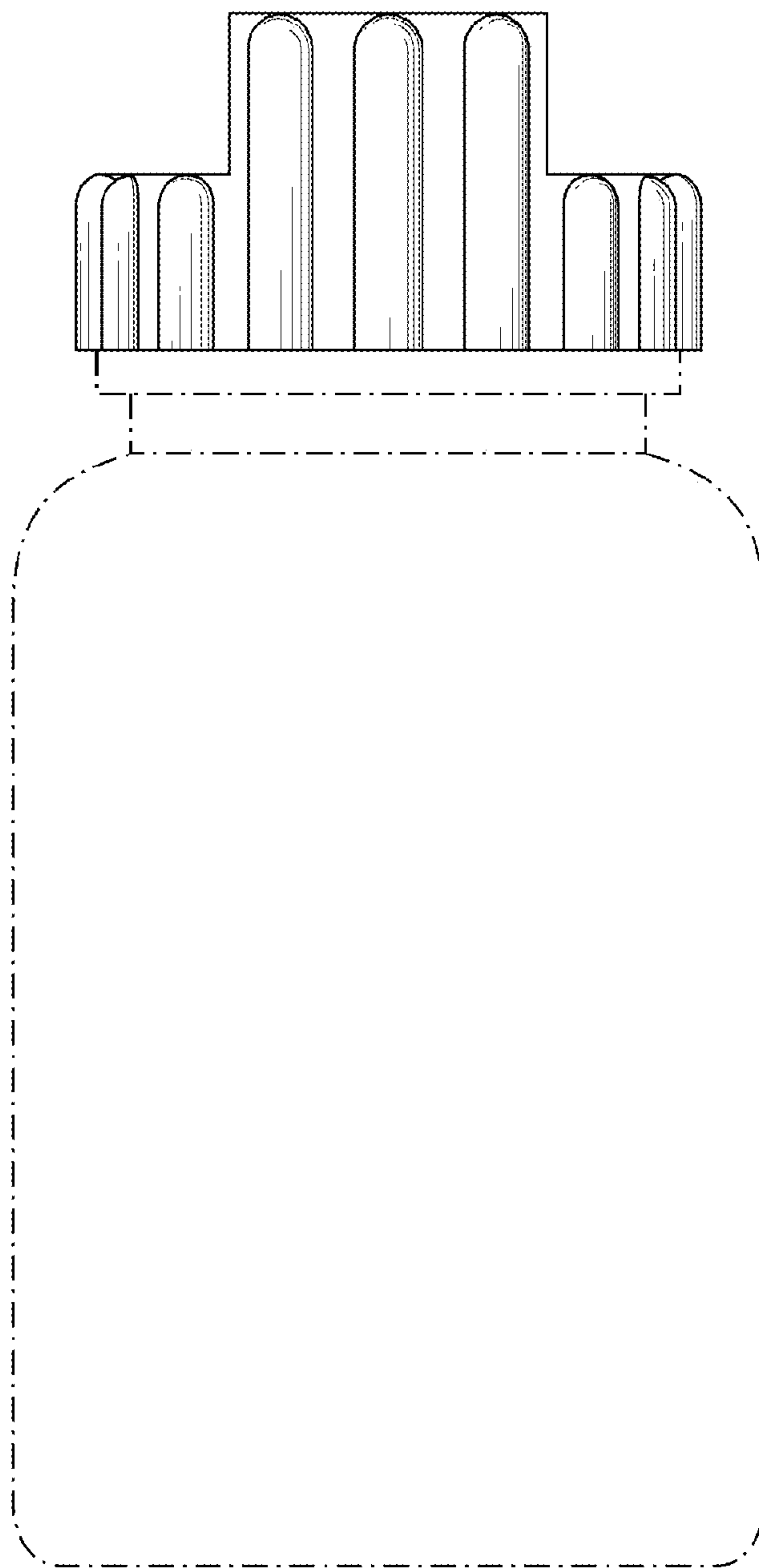


Fig. 3

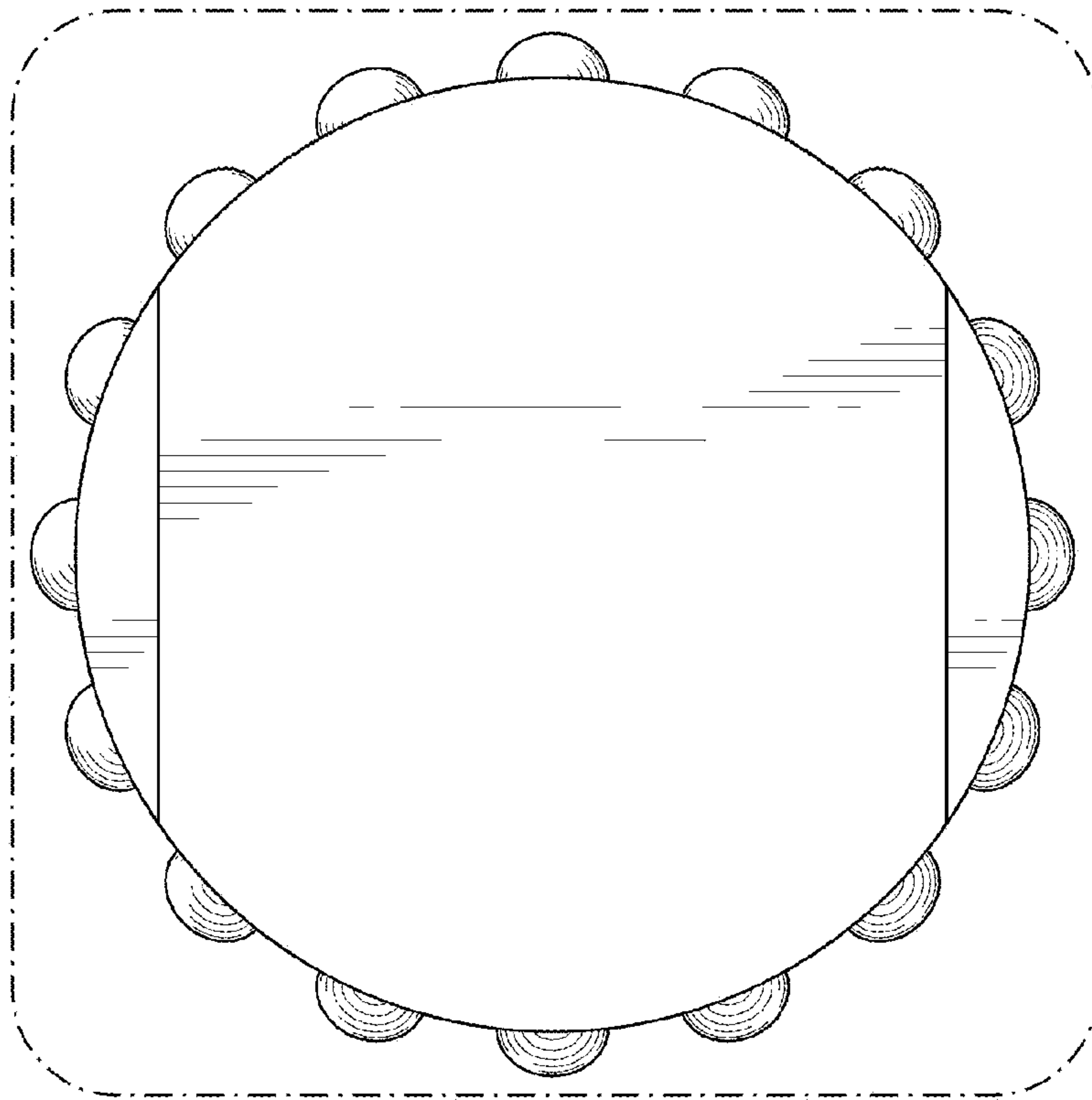


Fig. 4

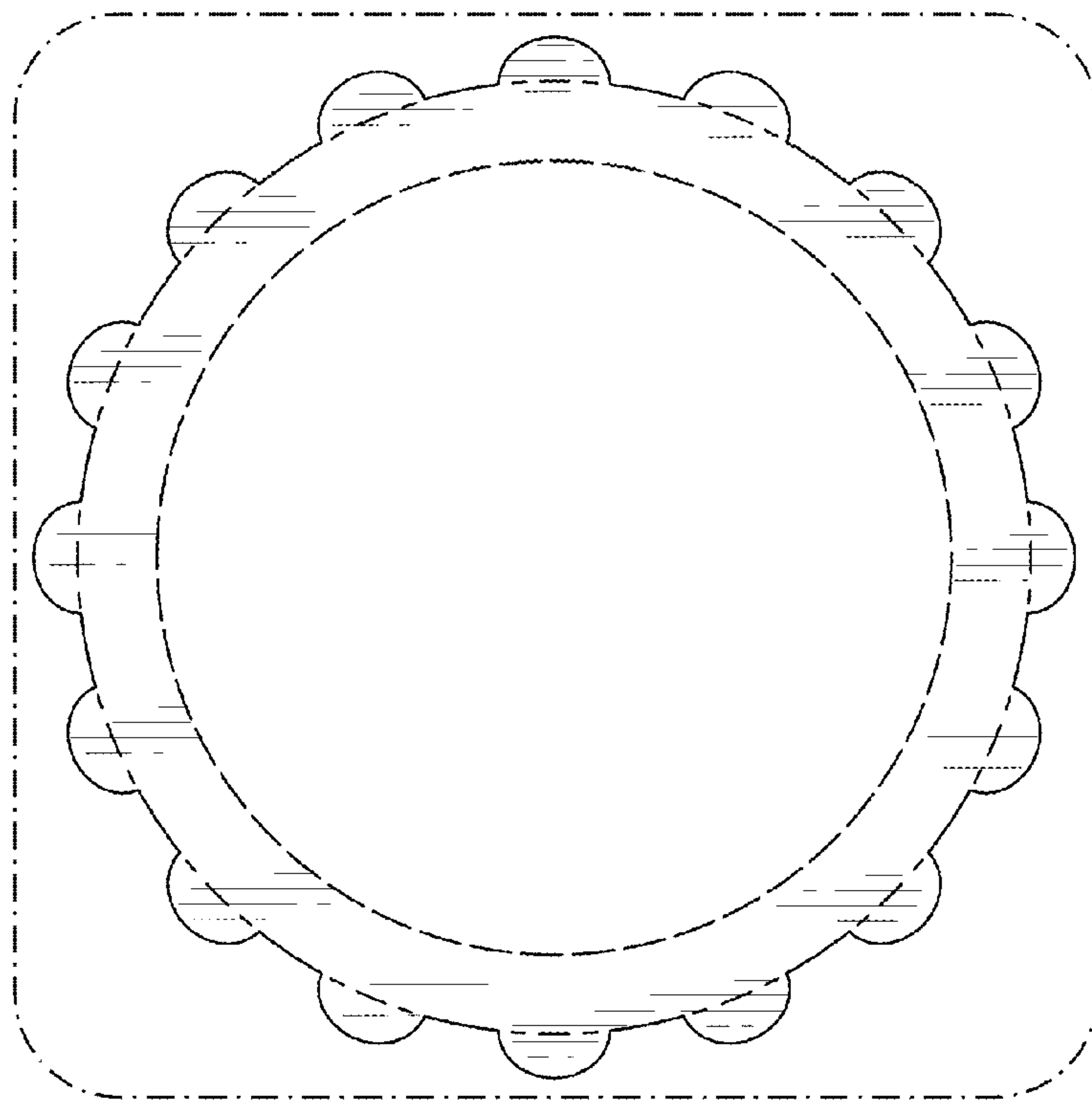


Fig. 5