



US00D758853S

(12) **United States Design Patent**
Seeuwen et al.

(10) **Patent No.:** **US D758,853 S**
(45) **Date of Patent:** **** Jun. 14, 2016**

- (54) **BOTTLE STOPPER**
- (71) Applicants: **Steven Seeuwen**, Hawley, PA (US);
Ruth Niles, Newville, PA (US); **Eric Seeuwen**, Honesdale, PA (US)
- (72) Inventors: **Steven Seeuwen**, Hawley, PA (US);
Ruth Niles, Newville, PA (US); **Eric Seeuwen**, Honesdale, PA (US)

D639,657 S *	6/2011	Hoyt	D9/439
D660,695 S *	5/2012	Ishizawa	D9/436
D670,165 S *	11/2012	Ishizawa	D9/436
D680,430 S *	4/2013	Nickel	D9/436
8,783,486 B1 *	7/2014	Hoyt	B65D 79/005 215/355
D735,853 S *	8/2015	Pa	D24/129
2011/0107823 A1 *	5/2011	Dehmer	F16L 19/061 73/64.56

* cited by examiner

(**) Term: **14 Years**
(21) Appl. No.: **29/474,643**

Primary Examiner — Robert M Spear
(74) *Attorney, Agent, or Firm* — Sandra M. Kotin

- (22) Filed: **Dec. 10, 2014**
- (51) **LOC (10) Cl.** **09-07**
- (52) **U.S. Cl.**
USPC **D9/439**
- (58) **Field of Classification Search**
USPC D9/435, 436, 438, 439, 440, 445, 446,
D9/447, 449; D24/129, 130
CPC B65D 39/00; B65D 39/08; B65D 39/14
See application file for complete search history.

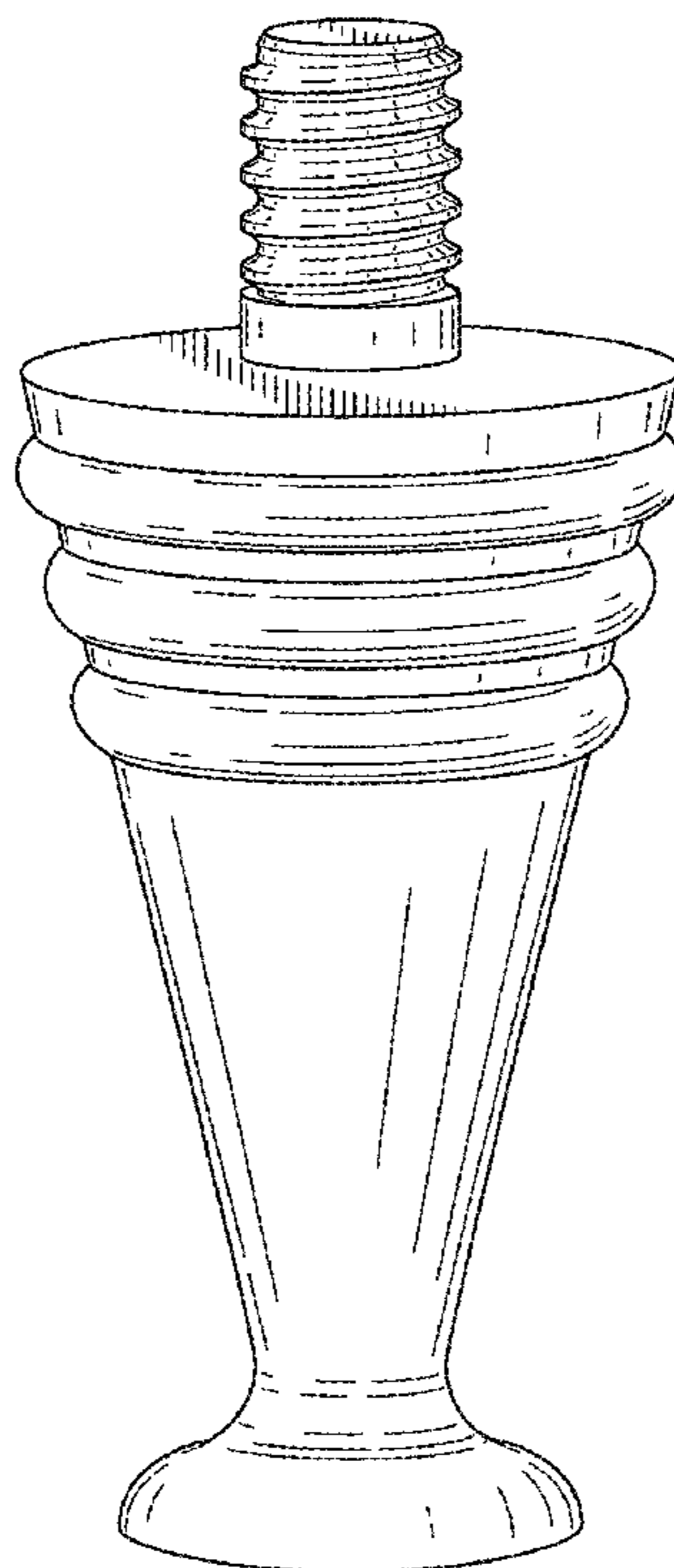
(57) **CLAIM**
The ornamental design for a bottle stopper, as shown and described.

DESCRIPTION

FIG. 1 is a front perspective view of a bottle stopper according to the present design;
FIG. 2 is a left side elevational view thereof;
FIG. 3 is a front elevational view thereof;
FIG. 4 is a right side elevational view thereof;
FIG. 5 is a rear elevational view thereof;
FIG. 6 is a top plan view thereof;
FIG. 7 is a bottom plan view thereof; and,
FIG. 8 is an exploded front perspective view of the bottle stopper of FIG. 1, shown with the O-rings removed and relocated below the stopper for clarity of disclosure.

- (56) **References Cited**
U.S. PATENT DOCUMENTS
D32,085 S * 1/1900 Estes D9/439
D255,660 S * 7/1980 Plummer D9/439
D419,445 S * 1/2000 Gort-Barten D9/439
D420,589 S * 2/2000 Baxter D9/439
D422,214 S * 4/2000 Hollinger D9/439
D451,337 S * 12/2001 Sum D7/387
D575,639 S * 8/2008 Seeuwen D9/439

1 Claim, 5 Drawing Sheets



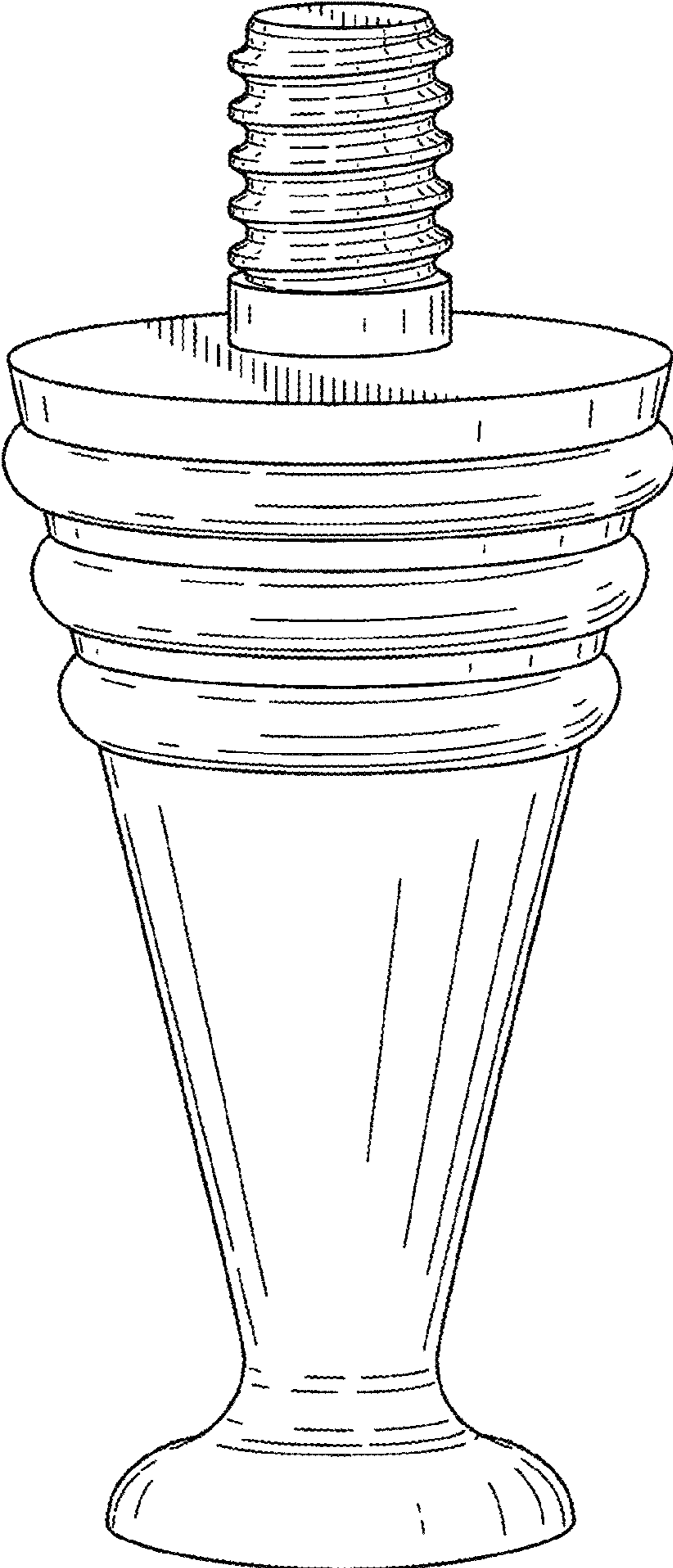


FIG. 1

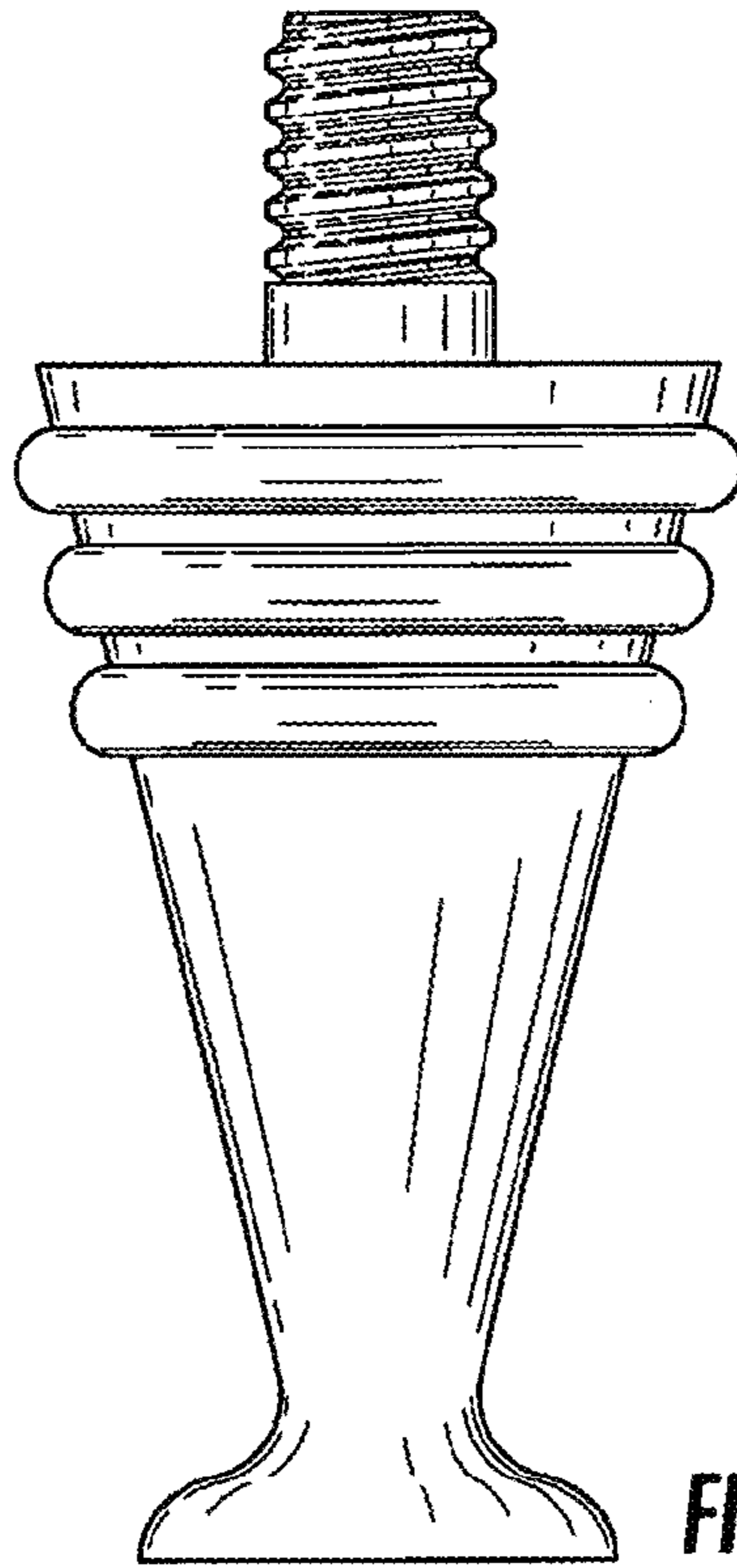


FIG. 2

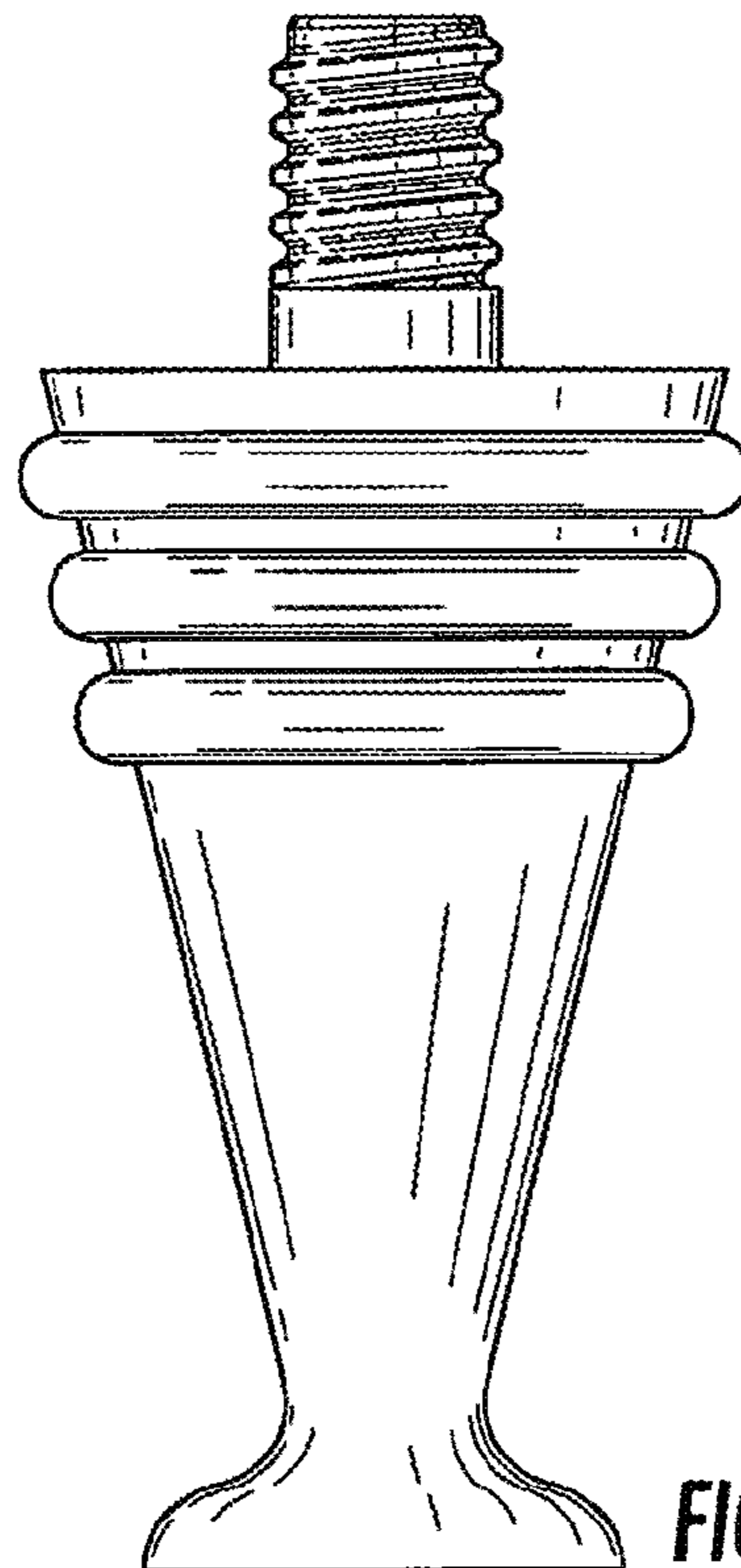


FIG. 3

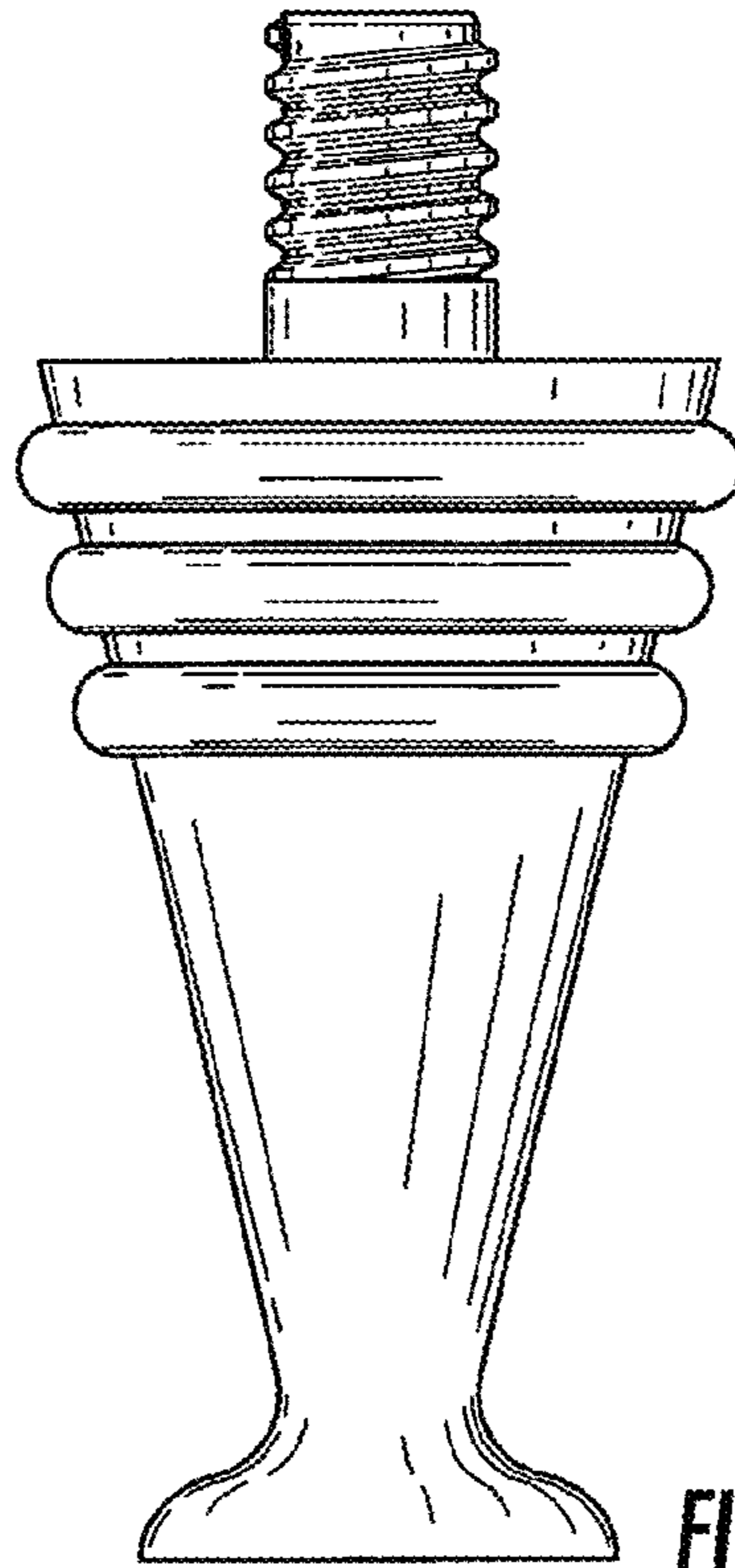


FIG. 4

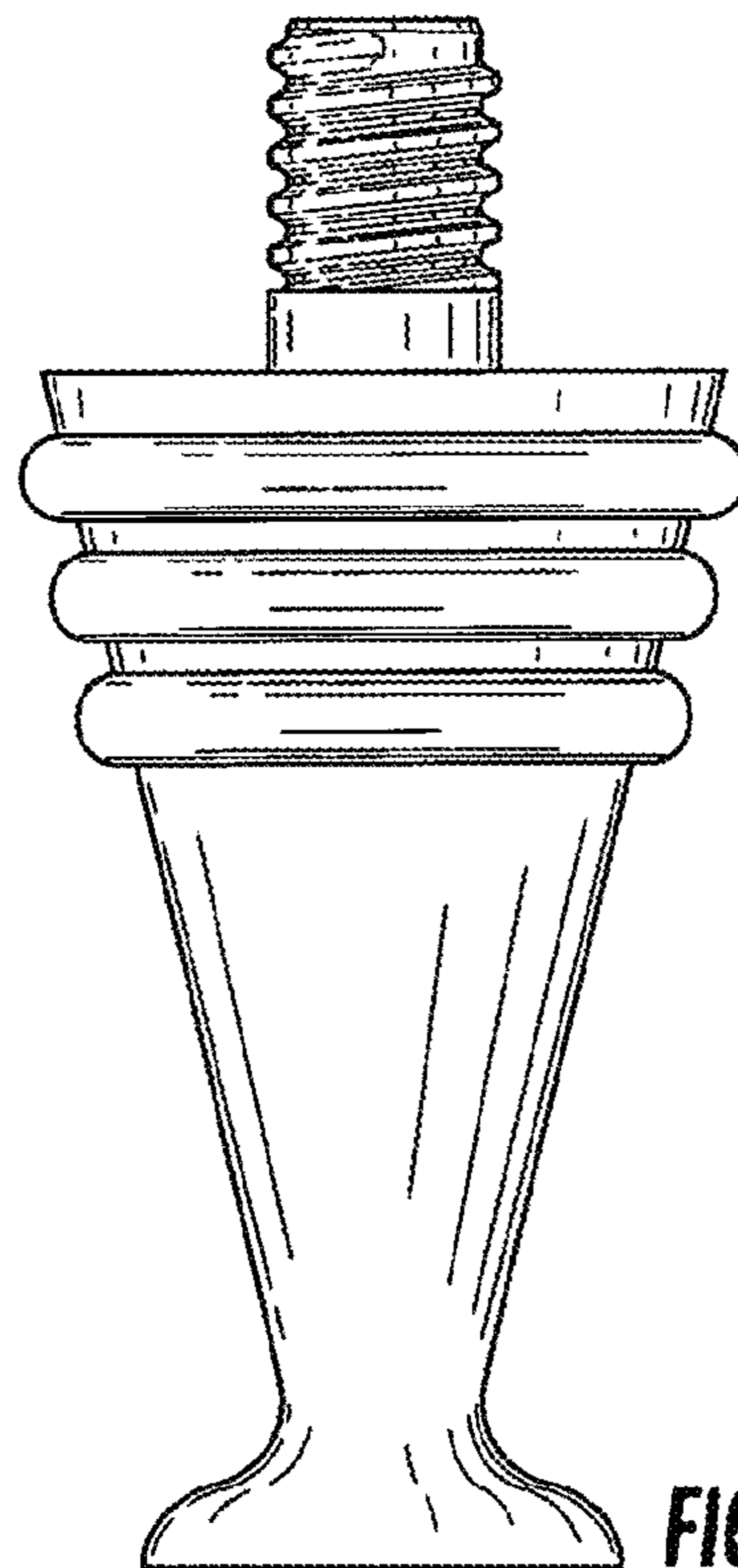


FIG. 5

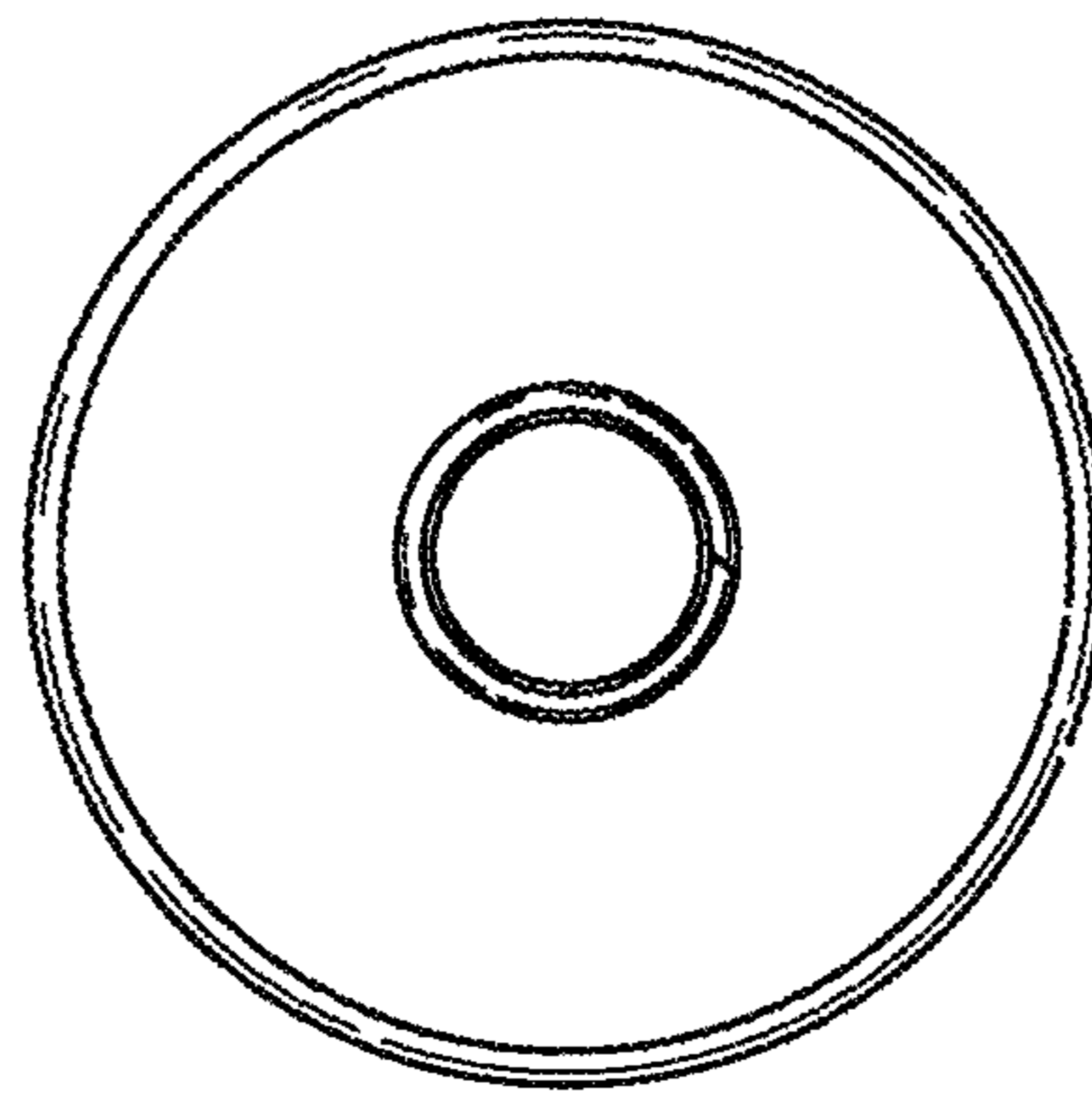


FIG. 6

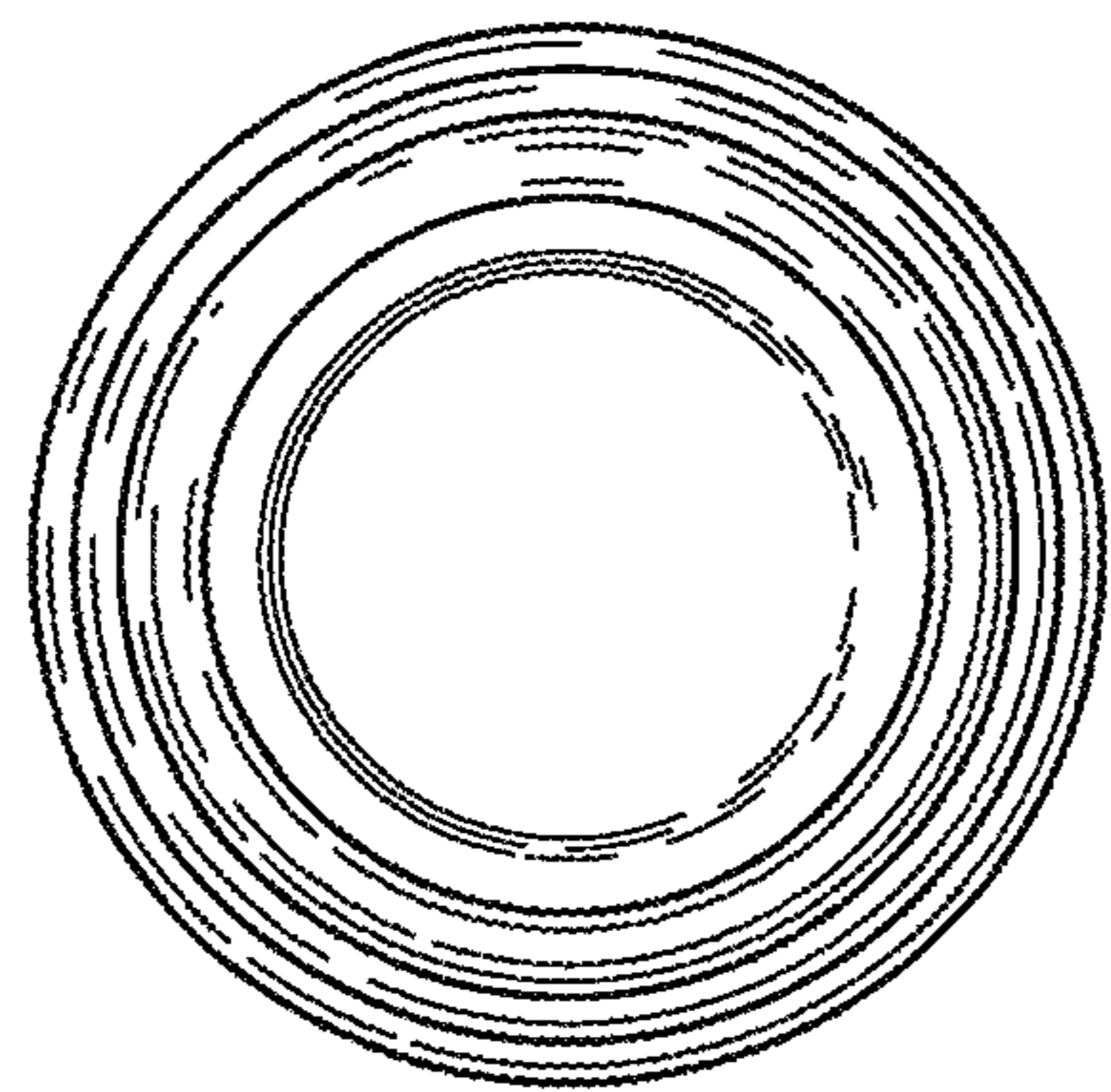


FIG. 7

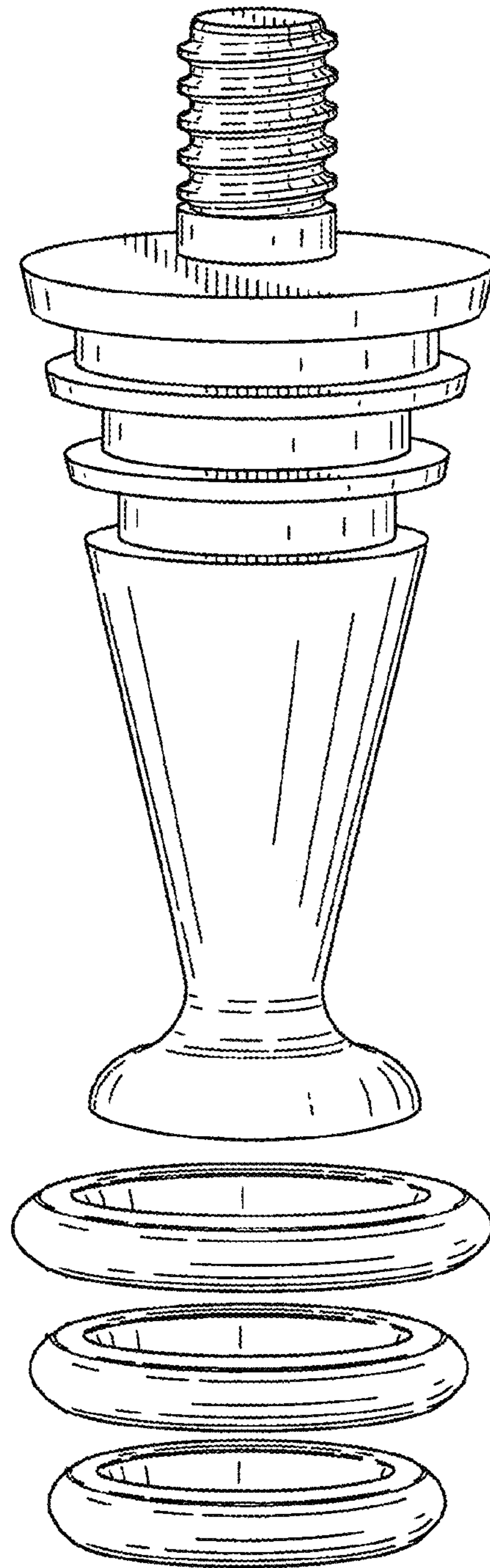


FIG. 8