



US00D758850S

(12) **United States Design Patent**  
**Dibnah et al.**

(10) **Patent No.:** **US D758,850 S**  
(45) **Date of Patent:** **\*\* Jun. 14, 2016**

(54) **BLISTER PACKAGE**  
(71) Applicant: **Reckitt Benckiser (Brands) Limited,**  
Berkshire (GB)  
(72) Inventors: **Carl Dibnah,** Hull (GB); **Jonathan**  
**Frank Michael Fahy,** Kent (GB)  
(73) Assignee: **RECKITT BENCKISER (BRANDS)**  
**LIMITED,** Berkshire (GB)  
(\*\*) Term: **15 Years**

D204,323 S \* 4/1966 Bostrom ..... D9/757  
D204,505 S \* 4/1966 Bostrom ..... D9/757  
3,372,812 A \* 3/1968 Parcels ..... A47F 7/0057  
206/445  
D276,590 S \* 12/1984 Lobel ..... D9/426  
D283,789 S \* 5/1986 Kodousek ..... D19/67  
D328,034 S \* 7/1992 Creaden ..... D9/434  
5,950,959 A \* 9/1999 Milliorn ..... B65C 11/00  
206/409  
D588,934 S \* 3/2009 Bailey ..... D9/418  
D589,429 S \* 3/2009 Harrison ..... D12/316  
D620,350 S \* 7/2010 Hernandez ..... D9/425  
D625,995 S \* 10/2010 Vovan ..... D9/429  
8,584,881 B2 \* 11/2013 Hernandez ..... B65D 21/0223  
206/521

(21) Appl. No.: **29/530,988**

\* cited by examiner

(22) Filed: **Jun. 22, 2015**

*Primary Examiner* — Karen S Acker

(30) **Foreign Application Priority Data**

*Assistant Examiner* — Wendy Arminio

Dec. 23, 2014 (EM) ..... 002605402-0007

(74) *Attorney, Agent, or Firm* — Troutman Sanders LLP;  
Ryan A. Schneider; Alexis N. Simpson

(51) **LOC (10) Cl.** ..... **09-03**

(52) **U.S. Cl.**  
USPC ..... **D9/429**

(58) **Field of Classification Search**  
USPC ..... D9/429, 434, 435, 443–450, 452, 454,  
D9/499, 553, 554, 559, 561; D7/387, 392,  
D7/393, 396.2, 396.4, 509, 510, 511, 514;  
D3/202, 203.2, 223, 264, 294, 304, 318  
CPC ..... A61J 1/00; A61J 1/1412; B65D 1/00;  
B65D 1/02; B65D 1/10; B65D 1/46; B65D  
2585/56; B65D 2585/545; B65D 41/00;  
B65D 41/56; B65D 41/62; B65D 47/06;  
B65D 47/08  
See application file for complete search history.

(57) **CLAIM**

The ornamental design for a blister package, as shown and described.

**DESCRIPTION**

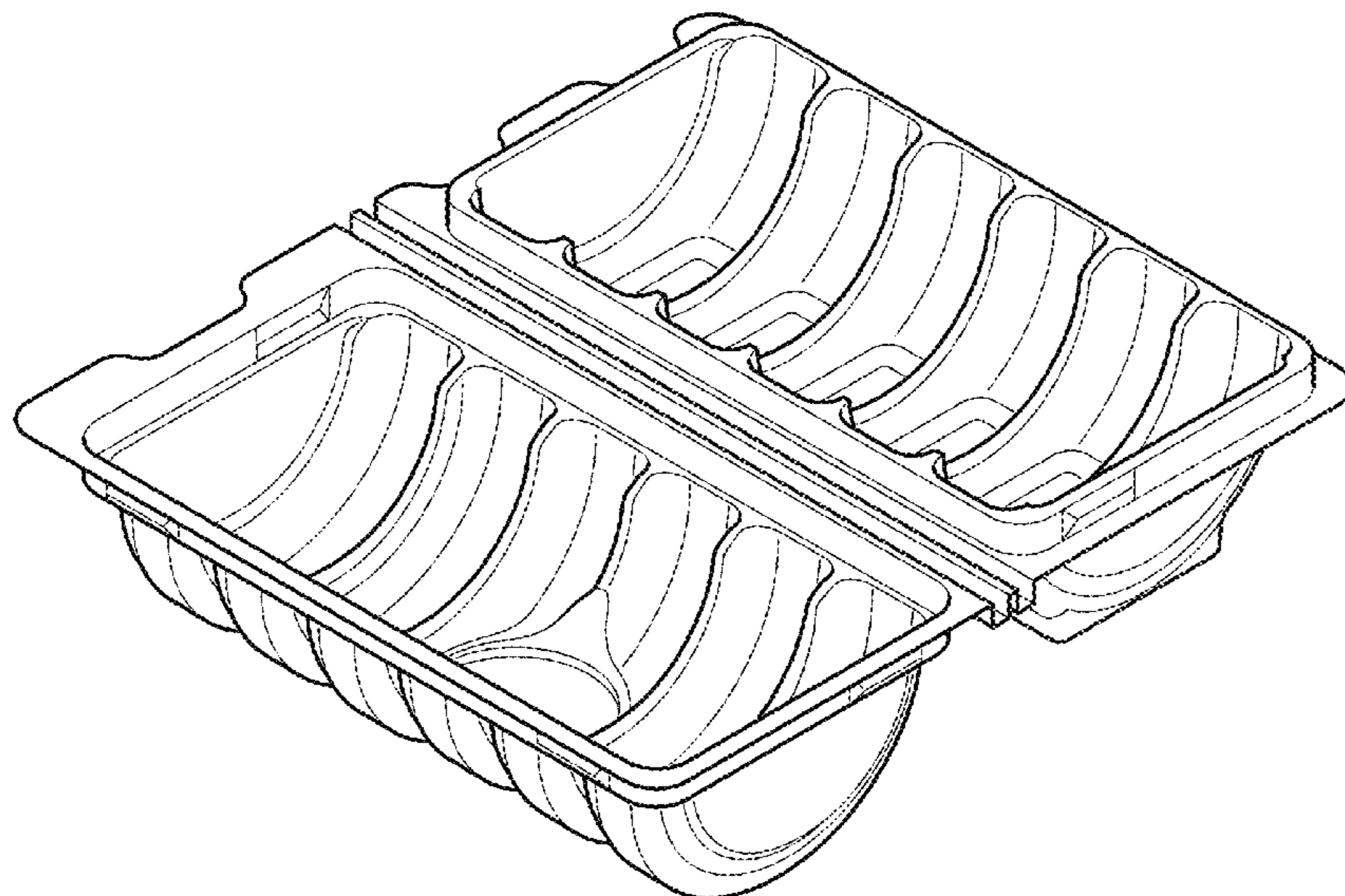
FIG. 1 is a perspective view of a blister package of the present invention;  
FIG. 2 is a front view of the blister package of FIG. 1;  
FIG. 3 is a back view of the blister package of FIG. 1;  
FIG. 4 is a right view of the blister package of FIG. 1;  
FIG. 5 is a left side view of the blister package of FIG. 1;  
FIG. 6 is a top view of the blister package of FIG. 1; and,  
FIG. 7 is a bottom view of the blister package of FIG. 1.

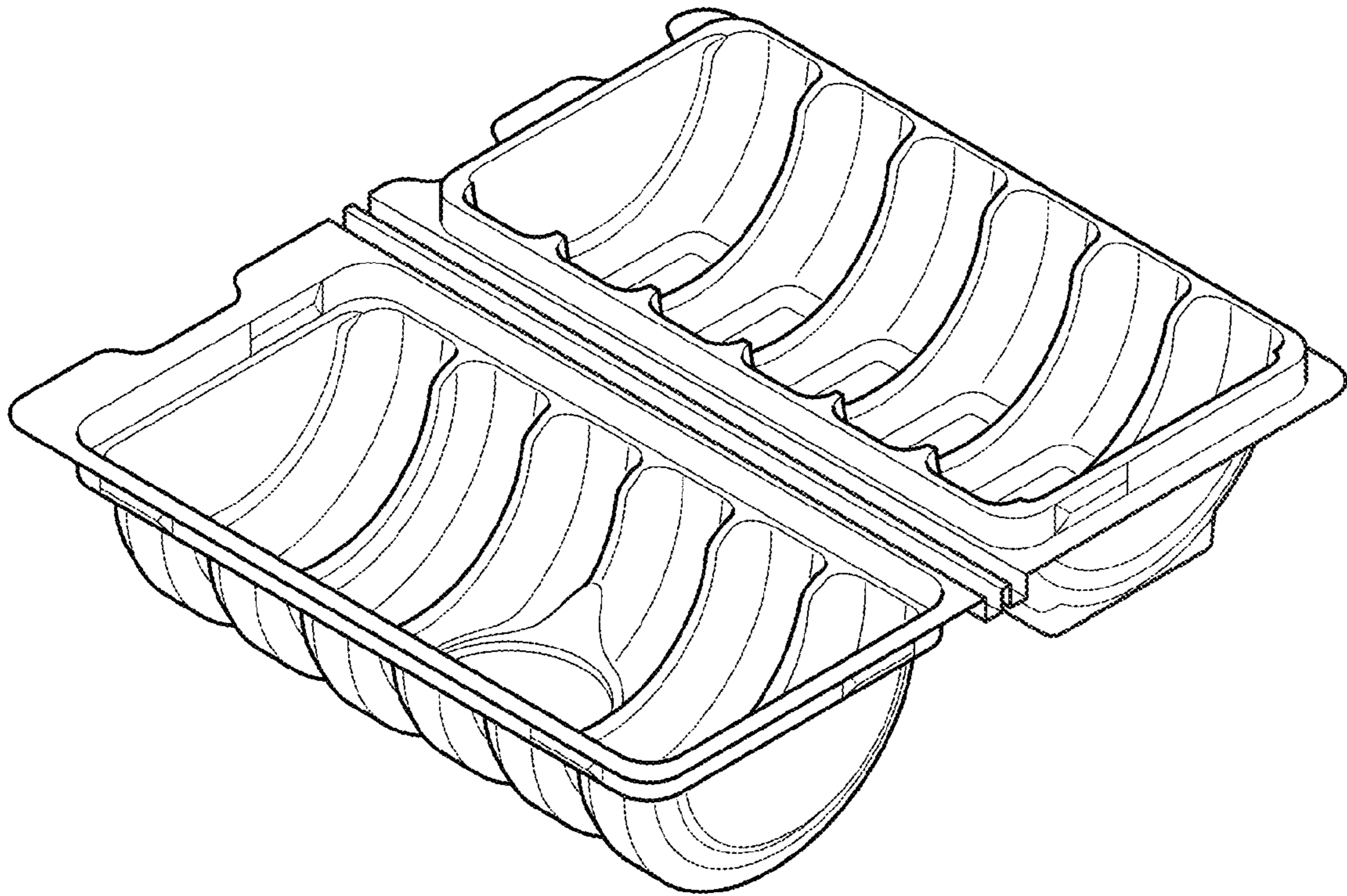
(56) **References Cited**

**U.S. PATENT DOCUMENTS**

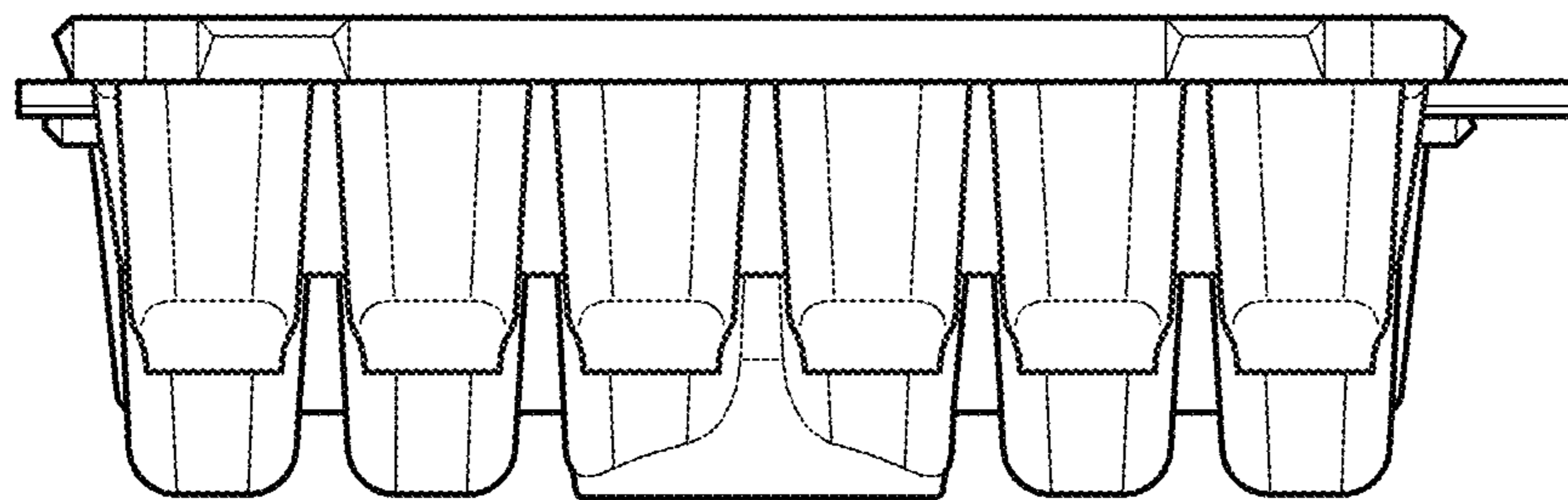
3,164,478 A \* 1/1965 Bostrom ..... B65D 85/36  
206/303

**1 Claim, 7 Drawing Sheets**

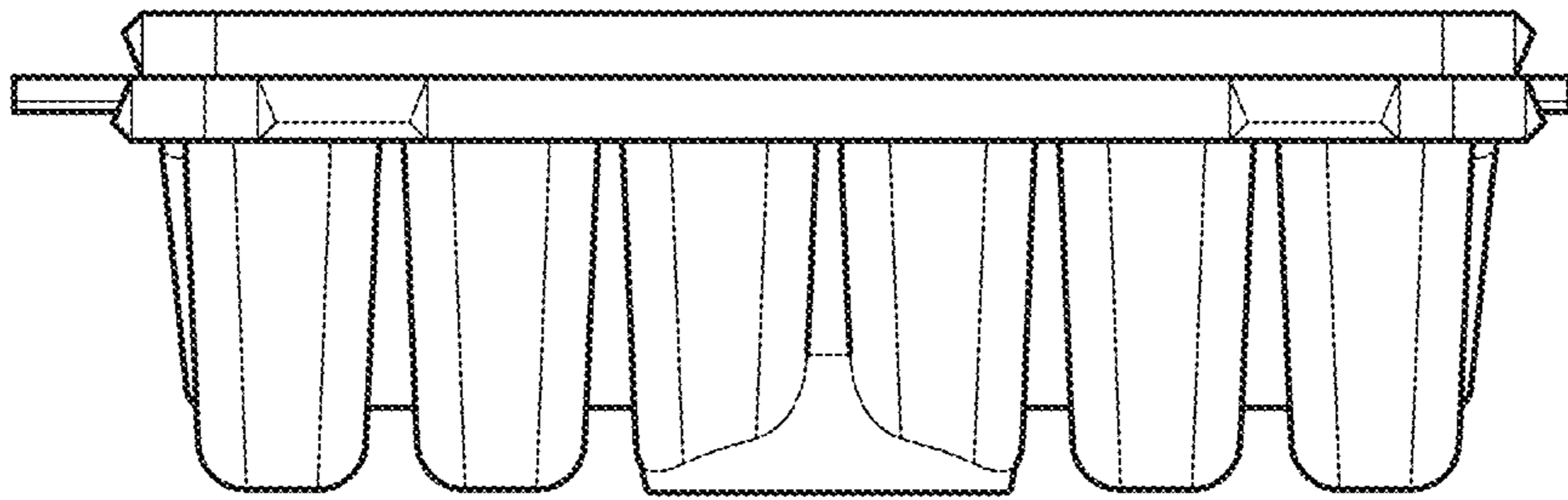




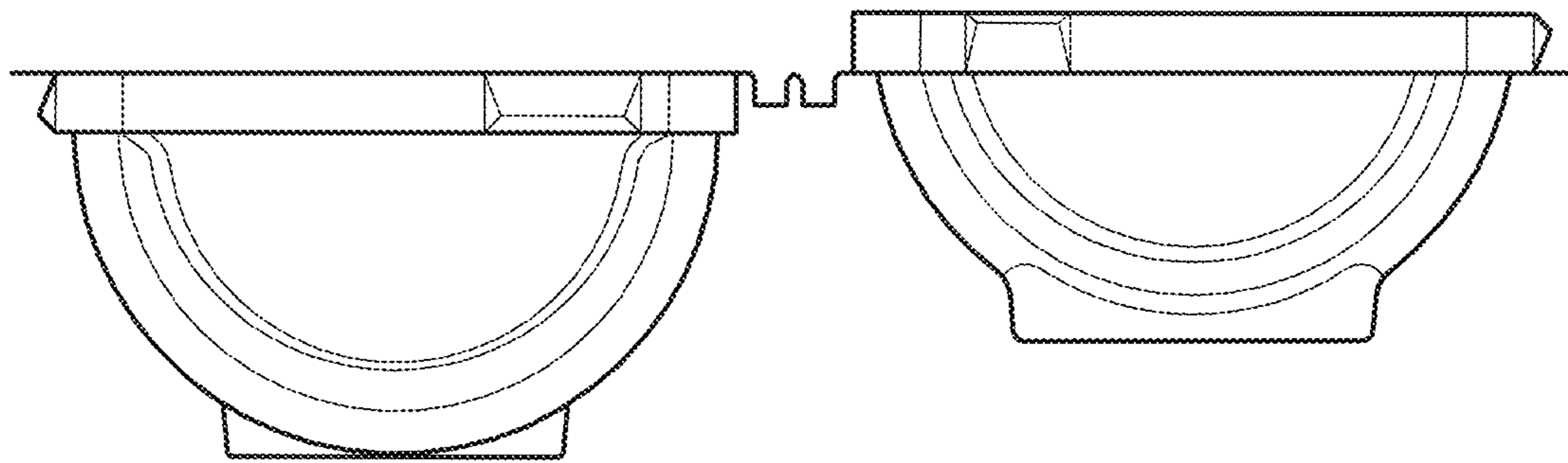
*Fig. 1*



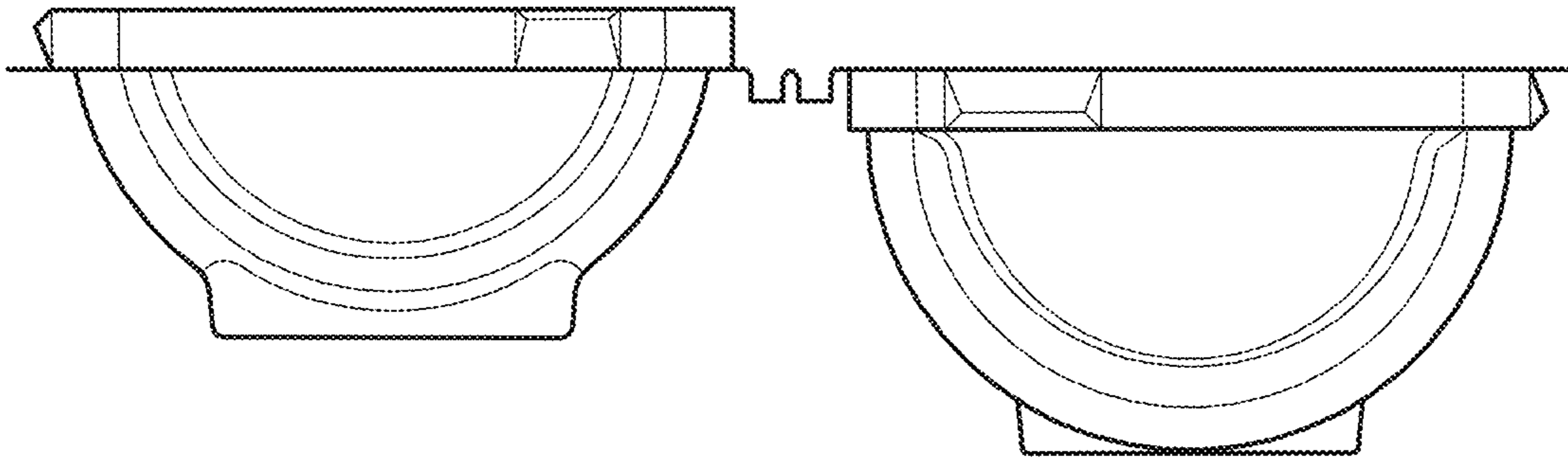
*Fig. 2*



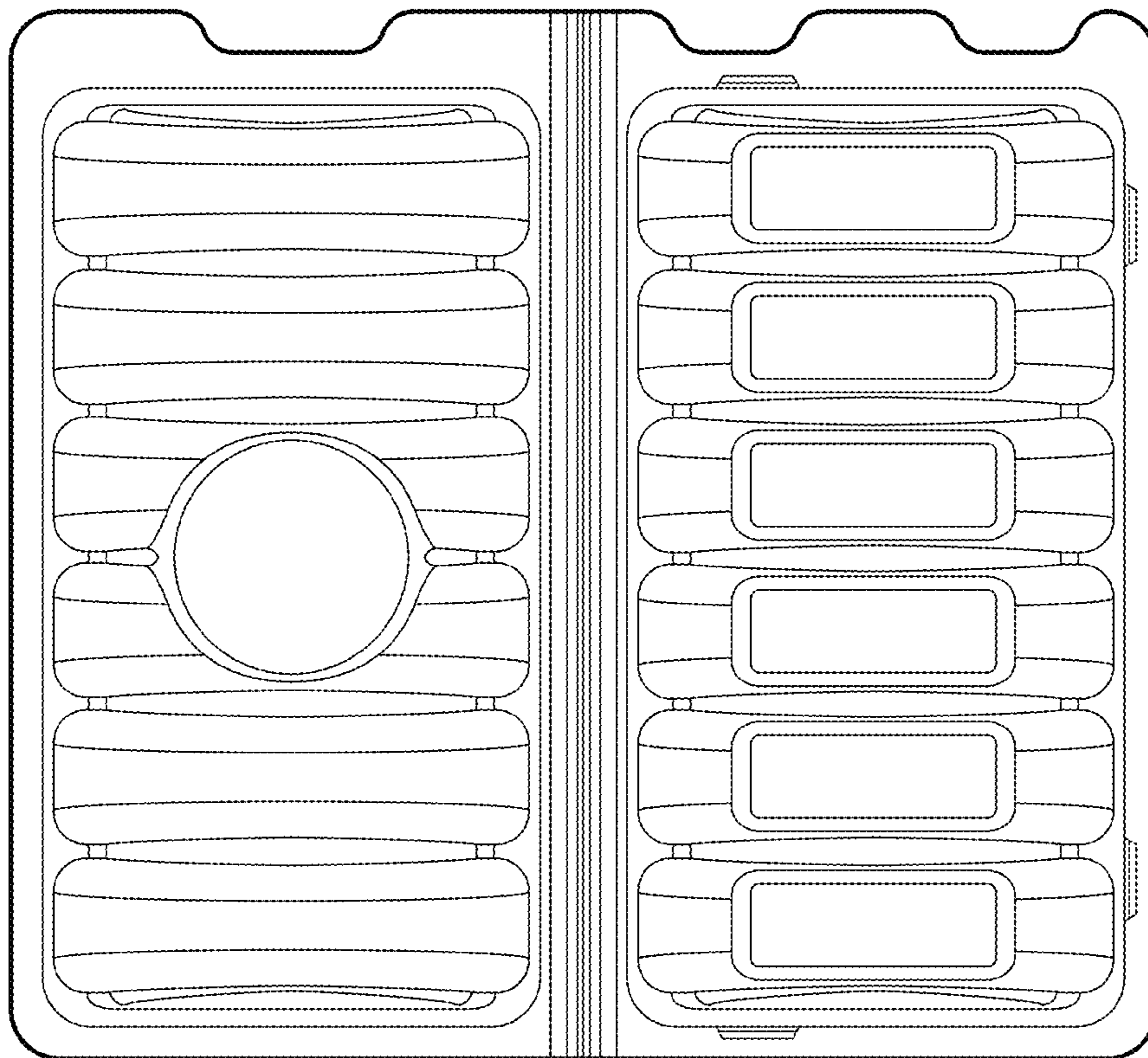
*Fig. 3*



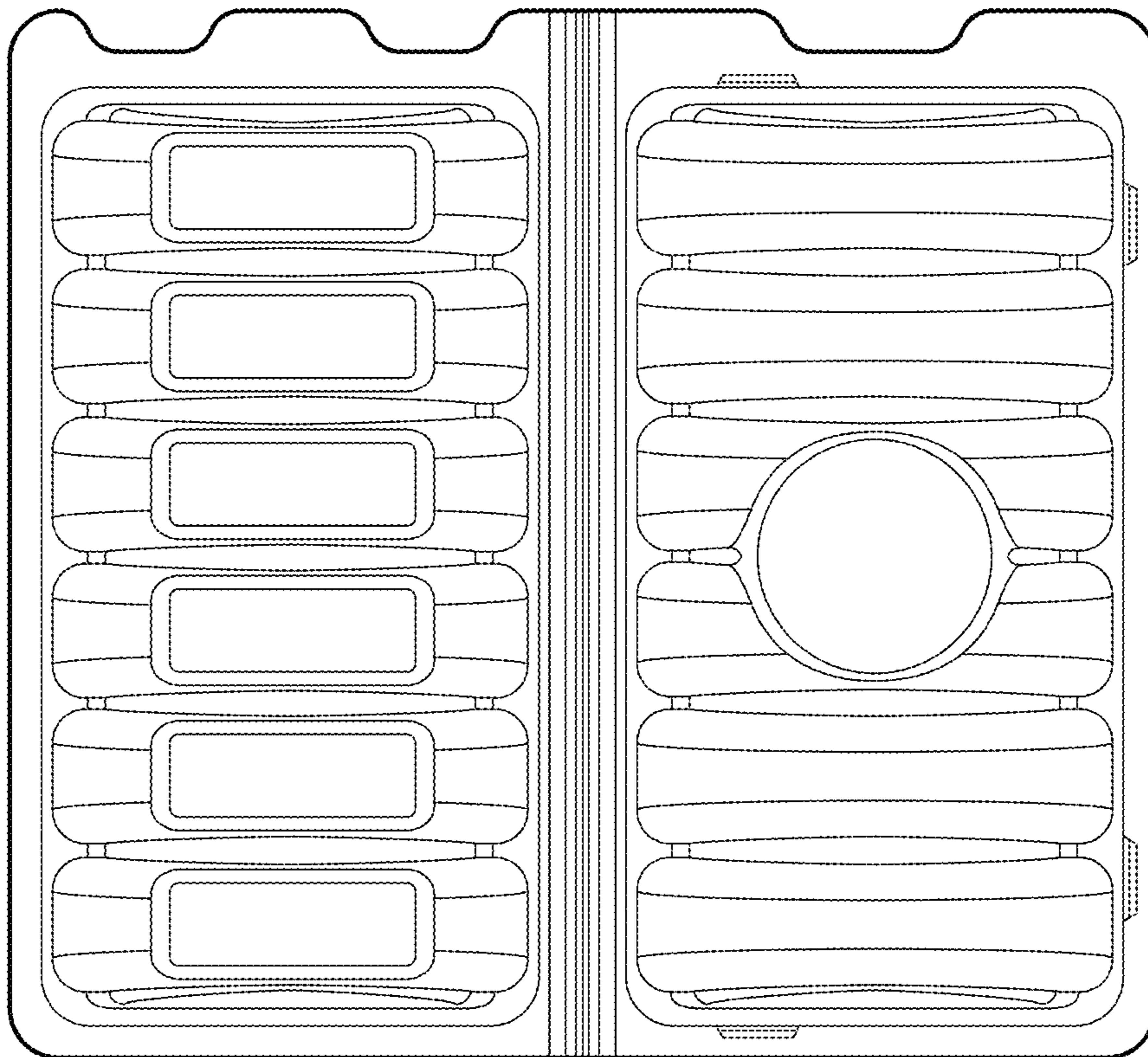
*Fig. 4*



*Fig. 5*



*Fig. 6*



*Fig. 7*