



US00D758849S

(12) **United States Design Patent**  
**Dibnah et al.**

(10) **Patent No.:** **US D758,849 S**  
(45) **Date of Patent:** **\*\* Jun. 14, 2016**

(54) **BLISTER PACKAGE**

(71) Applicant: **Reckitt Benckiser (Brands) Limited,**  
Berkshire (GB)

(72) Inventors: **Carl Dibnah,** Hull (GB); **Jonathan**  
**Frank Michael Fahy,** Kent (GB)

(73) Assignee: **RECKITT BENCKISER (BRANDS)**  
**LIMITED,** Berkshire (GB)

(\*\*) Term: **15 Years**

(21) Appl. No.: **29/530,987**

(22) Filed: **Jun. 22, 2015**

(30) **Foreign Application Priority Data**

Dec. 23, 2014 (EM) ..... 002605402-0006

(51) **LOC (10) Cl.** ..... **09-03**

(52) **U.S. Cl.**  
USPC ..... **D9/429**

(58) **Field of Classification Search**  
USPC ..... D9/429, 434, 435, 443-450, 452, 454,  
D9/499, 553, 554, 559, 561; D7/387, 392,  
D7/393, 396.2, 396.4, 509, 510, 511, 514;  
D3/202, 203.2, 223, 264, 294, 304, 318  
CPC ..... A61J 1/00; A61J 1/1412; B65D 1/00;  
B65D 1/02; B65D 1/10; B65D 1/46; B65D  
2585/56; B65D 2585/545; B65D 41/00;  
B65D 41/56; B65D 41/62; B65D 47/06;  
B65D 47/08

See application file for complete search history.

(56) **References Cited**

U.S. PATENT DOCUMENTS

3,164,478	A *	1/1965	Bostrom	.....	B65D 85/36 206/303
D204,323	S *	4/1966	Bostrom	.....	D9/757
D204,505	S *	4/1966	Bostrom	.....	D9/757
3,372,812	A *	3/1968	Parcels	.....	A47F 7/0057 206/445
D271,000	S *	10/1983	Rimer	.....	D9/420
D276,590	S *	12/1984	Lobel	.....	D9/426
D283,789	S *	5/1986	Kodousek	.....	D19/67
D328,034	S *	7/1992	Creaden	.....	D9/434
5,950,959	A *	9/1999	Milliorn	.....	B65C 11/00 206/409
D588,934	S *	3/2009	Bailey	.....	D9/418
D589,429	S *	3/2009	Harrison	.....	D12/316
D620,350	S *	7/2010	Hernandez	.....	D9/425
8,584,881	B2 *	11/2013	Hernandez	.....	B65D 21/0223 206/521

\* cited by examiner

*Primary Examiner* — Karen S Acker

*Assistant Examiner* — Wendy Arminio

(74) *Attorney, Agent, or Firm* — Troutman Sanders LLP;  
Ryan A. Schneider; Alexis N. Simpson

(57) **CLAIM**

The ornamental design for a blister package, as shown and described.

**DESCRIPTION**

FIG. 1 is a perspective view of a blister package of the present invention;

FIG. 2 is a front view of the blister package of FIG. 1;

FIG. 3 is a back view of the blister package of FIG. 1;

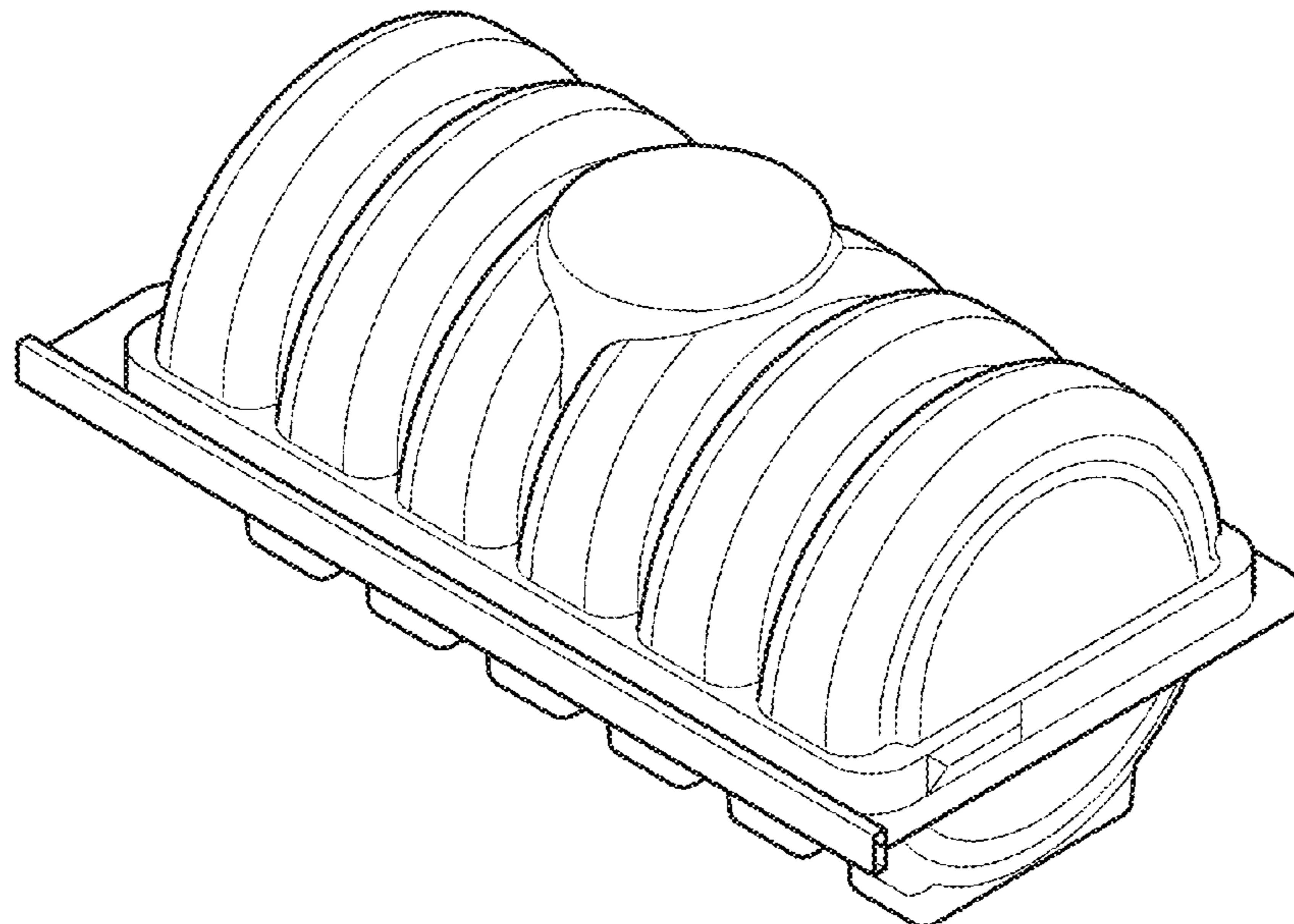
FIG. 4 is a right view of the blister package of FIG. 1;

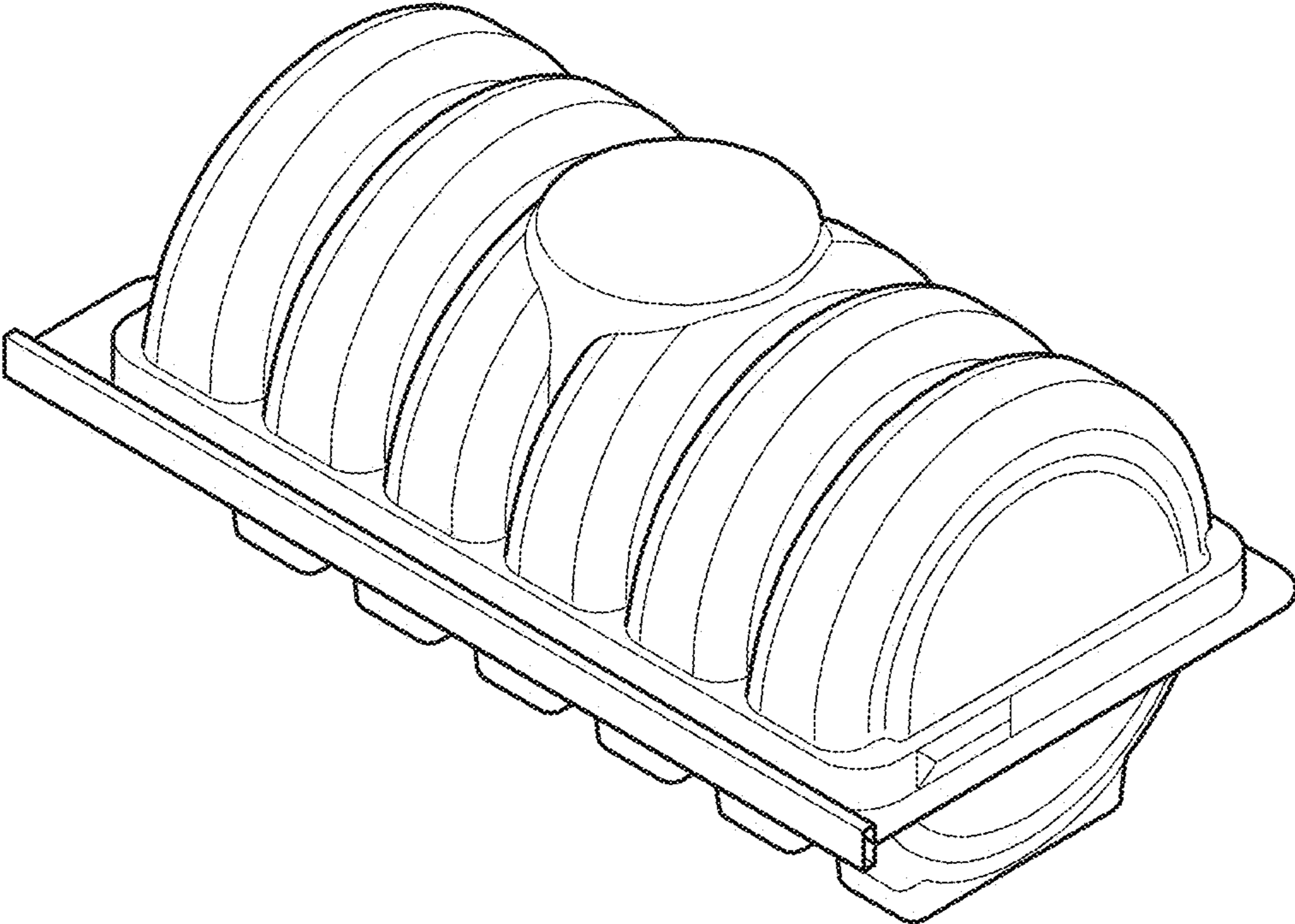
FIG. 5 is a left side view of the blister package of FIG. 1;

FIG. 6 is a top view of the blister package of FIG. 1; and,

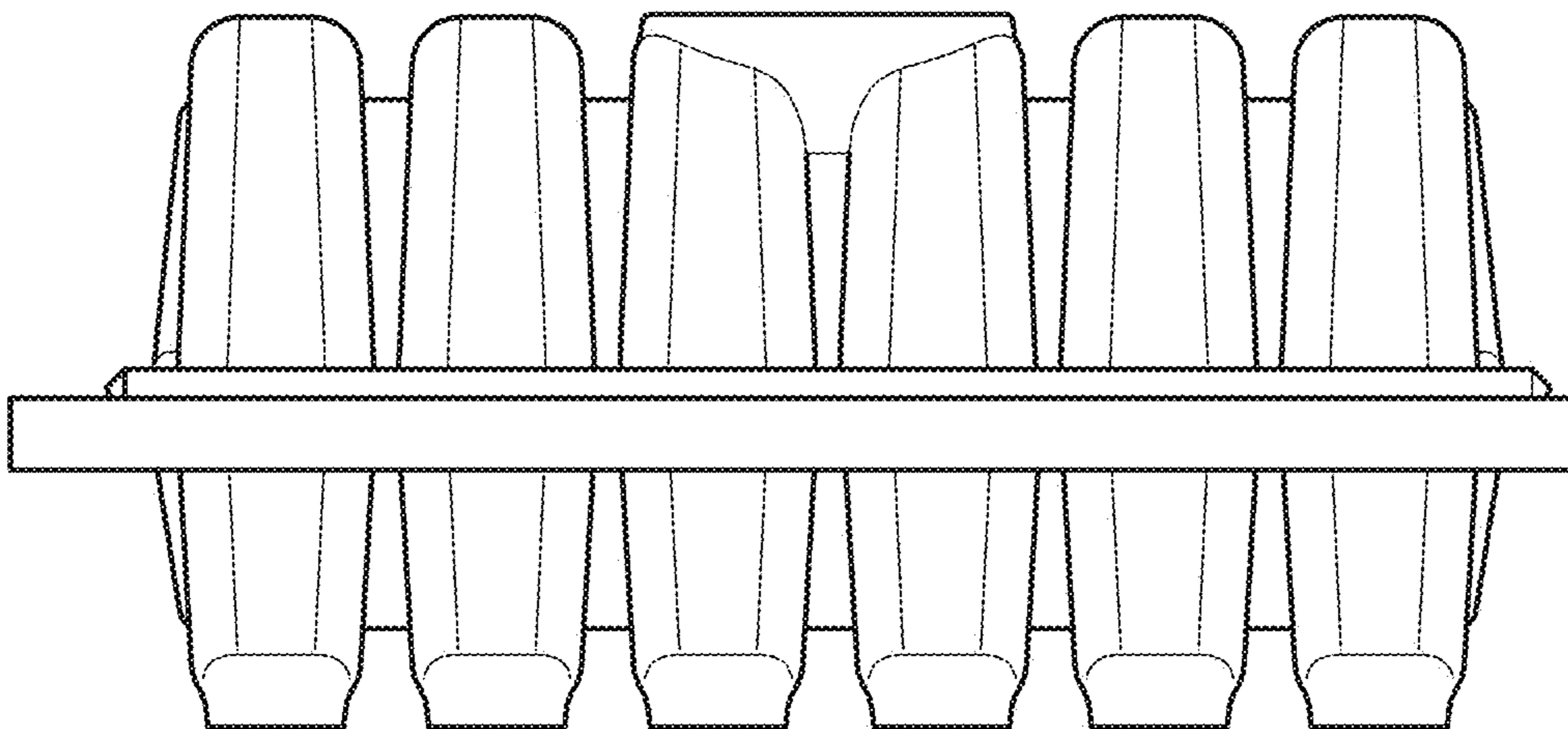
FIG. 7 is a bottom view of the blister package of FIG. 1.

**1 Claim, 7 Drawing Sheets**

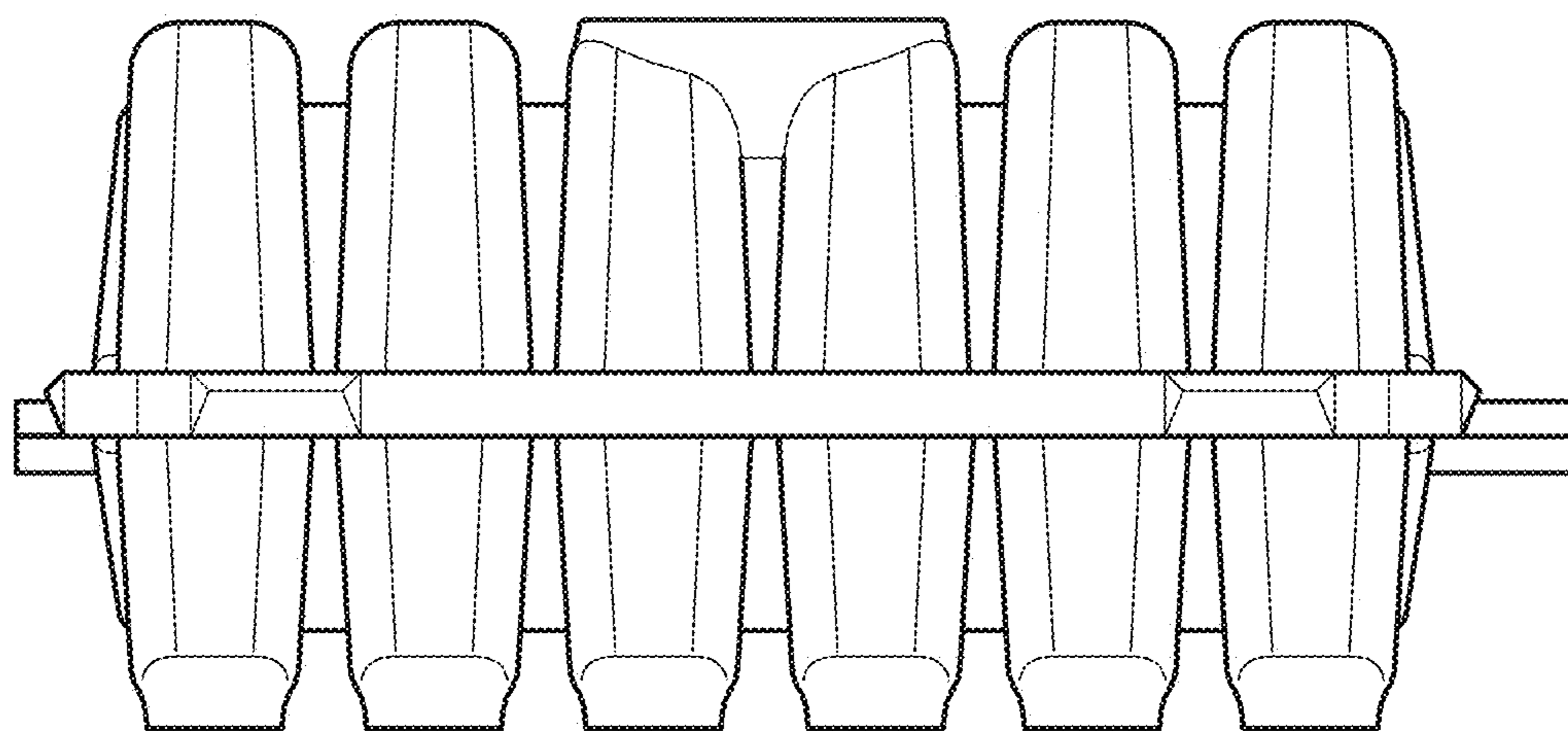




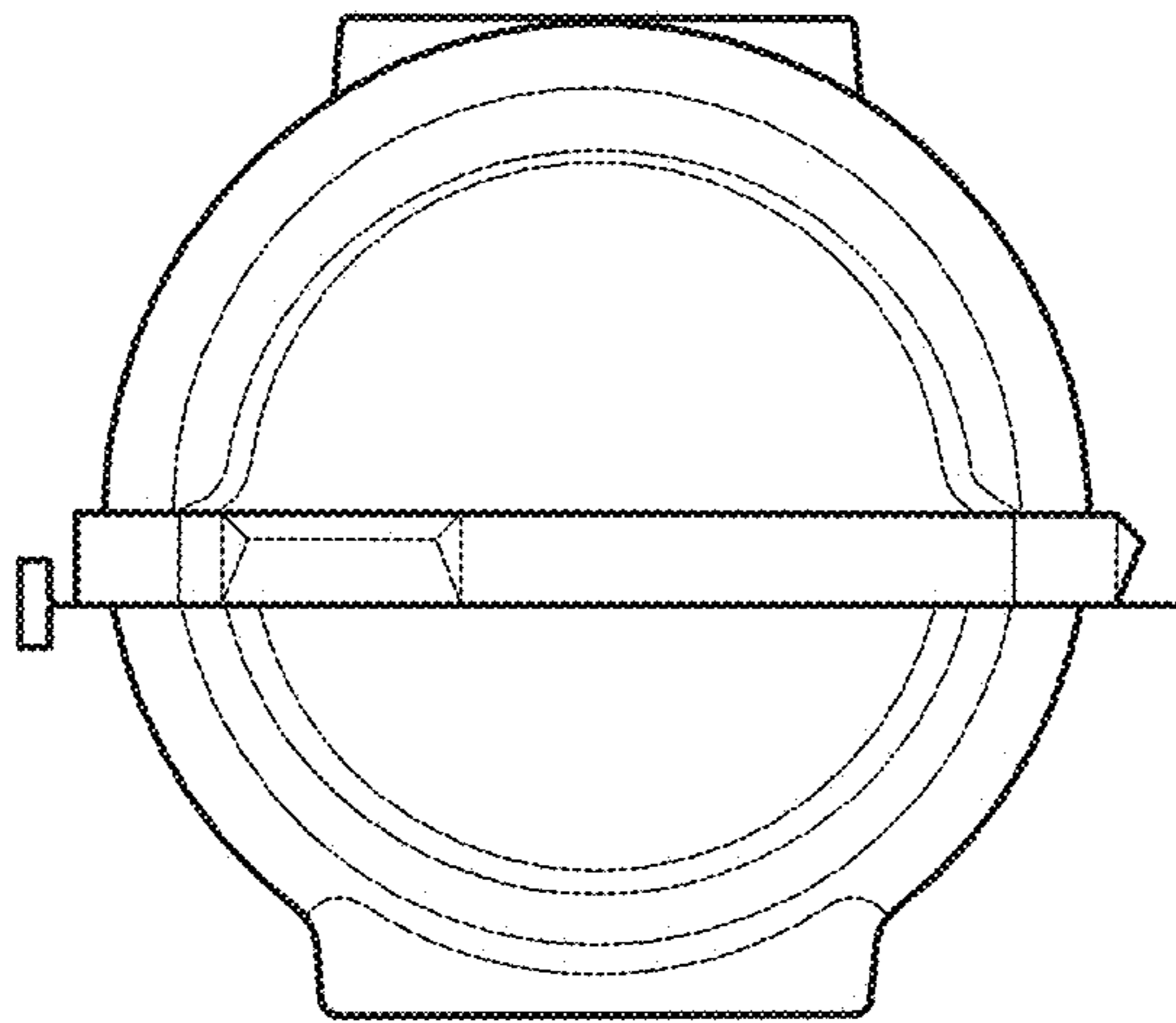
*Fig. 1*



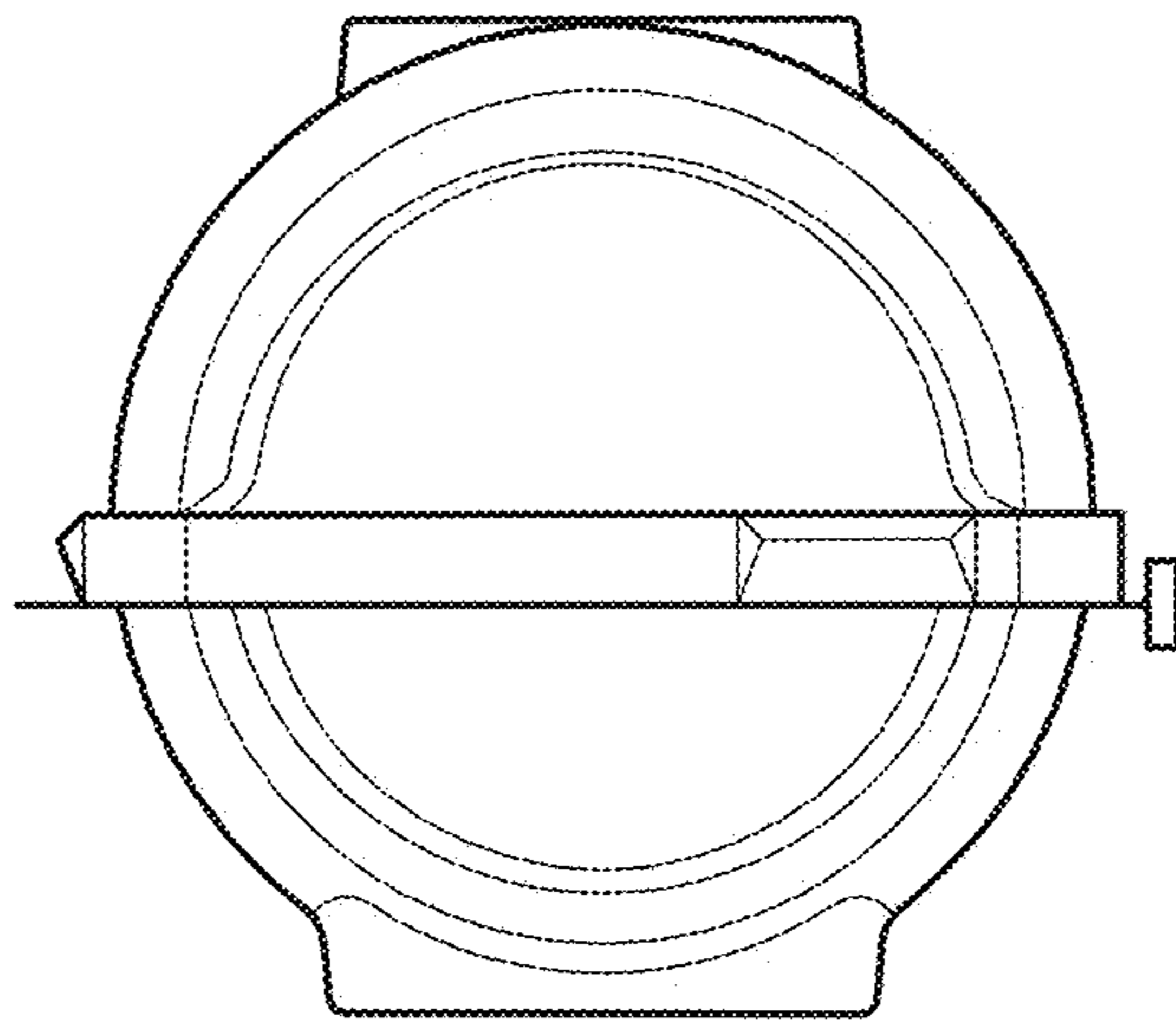
*Fig. 2*



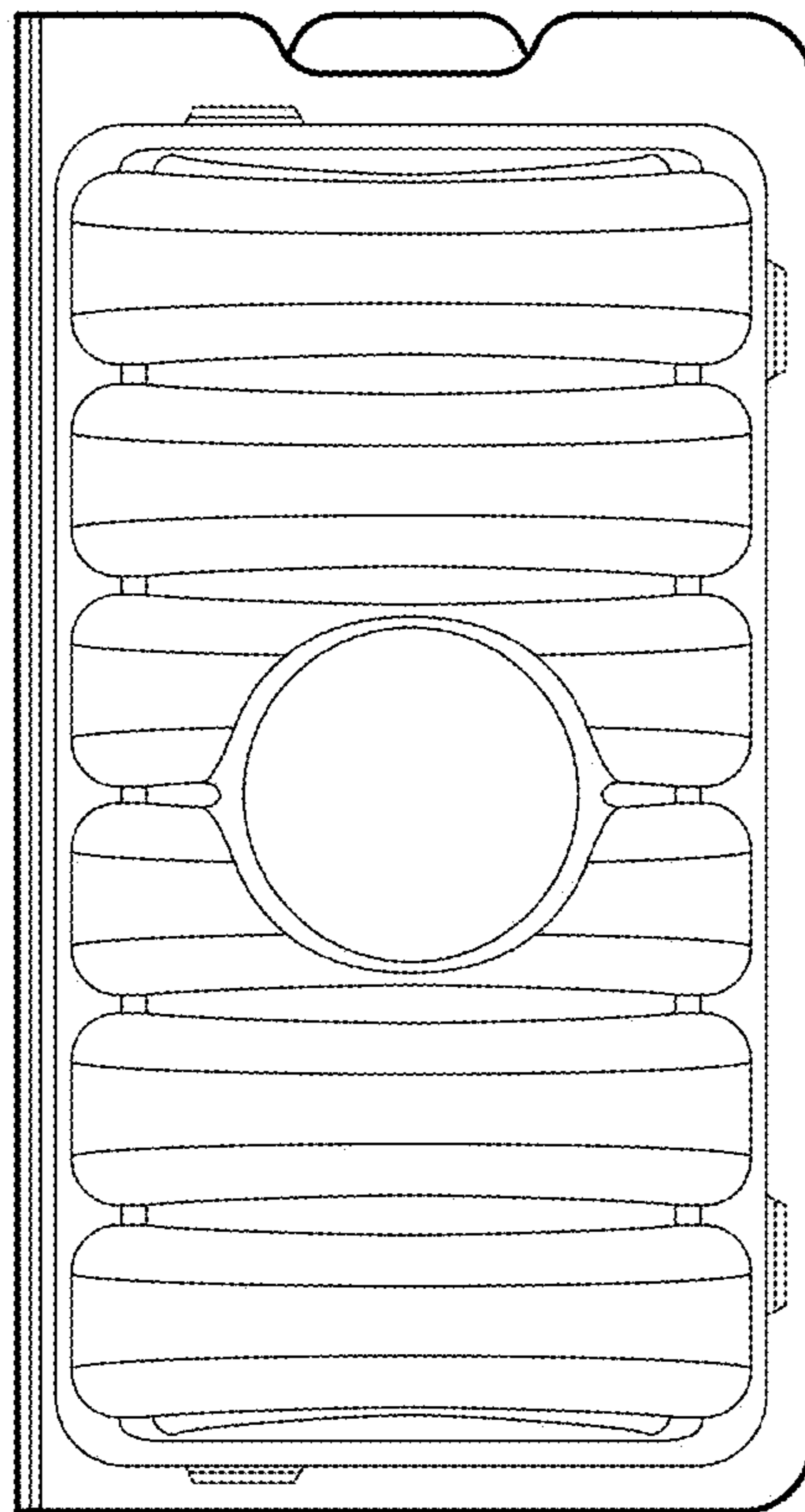
*Fig. 3*



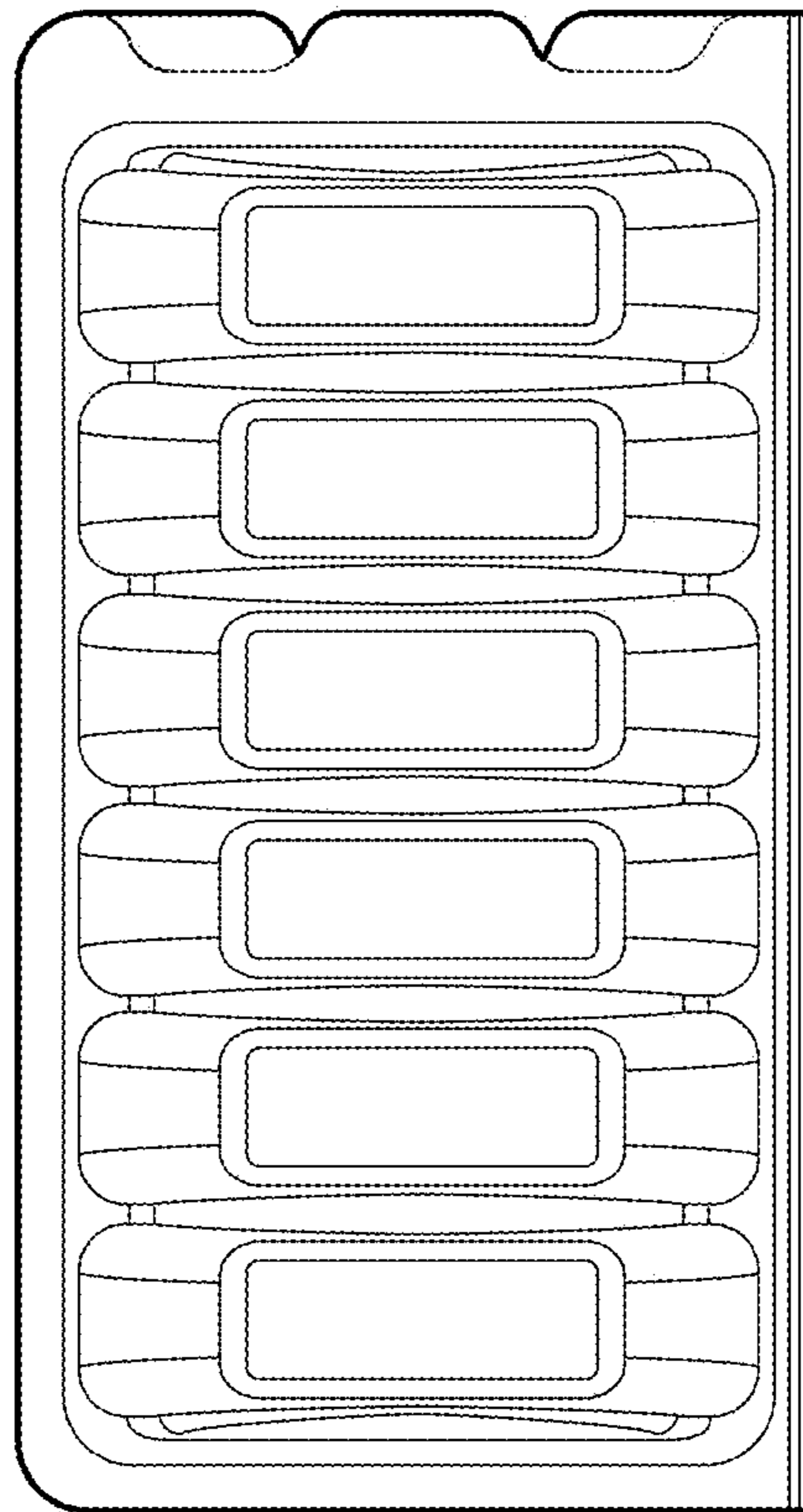
*Fig. 4*



*Fig. 5*



*Fig. 6*



*Fig. 7*