



US00D758848S

(12) **United States Design Patent**
Buogo et al.

(10) **Patent No.:** **US D758,848 S**
(45) **Date of Patent:** **** Jun. 14, 2016**

(54) **BLISTER PACKAGE**

(71) Applicant: **Reckitt Benckiser (Brands) Limited,**
Berkshire (GB)

(72) Inventors: **Alberto Buogo,** Hull (GB); **Carl Dibnah,** Hull (GB); **Jonathan Frank Michael Fahy,** Kent (GB)

(73) Assignee: **RECKITT BENCKISER (BRANDS) LIMITED,** Berkshire (GB)

(**) Term: **15 Years**

(21) Appl. No.: **29/530,985**

(22) Filed: **Jun. 22, 2015**

(30) **Foreign Application Priority Data**

Dec. 23, 2014 (EM) 002605402-0001

(51) **LOC (10) Cl.** **09-03**

(52) **U.S. Cl.**
USPC **D9/429**

(58) **Field of Classification Search**
USPC D9/429, 434, 435, 443-450, 452, 454, D9/499, 553, 554, 559, 561; D7/387, 392, D7/393, 396.2, 396.4, 509, 510, 511, 514; D3/202, 203.2, 223, 264, 294, 304, 318
CPC A61J 1/00; A61J 1/1412; B65D 1/00; B65D 1/02; B65D 1/10; B65D 1/46; B65D 2585/56; B65D 2585/545; B65D 41/00; B65D 41/56; B65D 41/62; B65D 47/06; B65D 47/08

See application file for complete search history.

(56) **References Cited**

U.S. PATENT DOCUMENTS

D228,772 S * 10/1973 Hicks D21/340
D233,882 S * 12/1974 Domnitz D7/570

D324,516 S * 3/1992 Suzuki D14/476
D368,368 S * 4/1996 Merritt D3/263
D388,702 S * 1/1998 Mindel D9/434
D405,002 S * 2/1999 Appelbaum D9/629
D422,843 S * 4/2000 Rashid D7/555
D460,687 S * 7/2002 Weinstock D9/629
D500,202 S * 12/2004 Nova D3/203.1
D551,440 S * 9/2007 Stewart D3/203.3
D554,368 S * 11/2007 O'Hara D3/203.1
D611,441 S * 3/2010 Johansson D14/138 AB
D614,029 S * 4/2010 Lake, Jr. D9/451
D693,998 S * 11/2013 Villanova D3/203.2
D698,202 S * 1/2014 Maas D7/555
D707,039 S * 6/2014 Zerlin D3/203.2
D711,645 S * 8/2014 van der Lande D3/264
D728,935 S * 5/2015 Huang D3/282

(Continued)

Primary Examiner — Karen S Acker

Assistant Examiner — Wendy Arminio

(74) *Attorney, Agent, or Firm* — Troutman Sanders LLP;
Ryan A. Schneider; Alexis N. Simpson

(57) **CLAIM**

The ornamental design for a blister package, as shown and described.

DESCRIPTION

FIG. 1 is a perspective view of a blister package of the present invention;

FIG. 2 is a front view of the blister package of FIG. 1;

FIG. 3 is a back view of the blister package of FIG. 1;

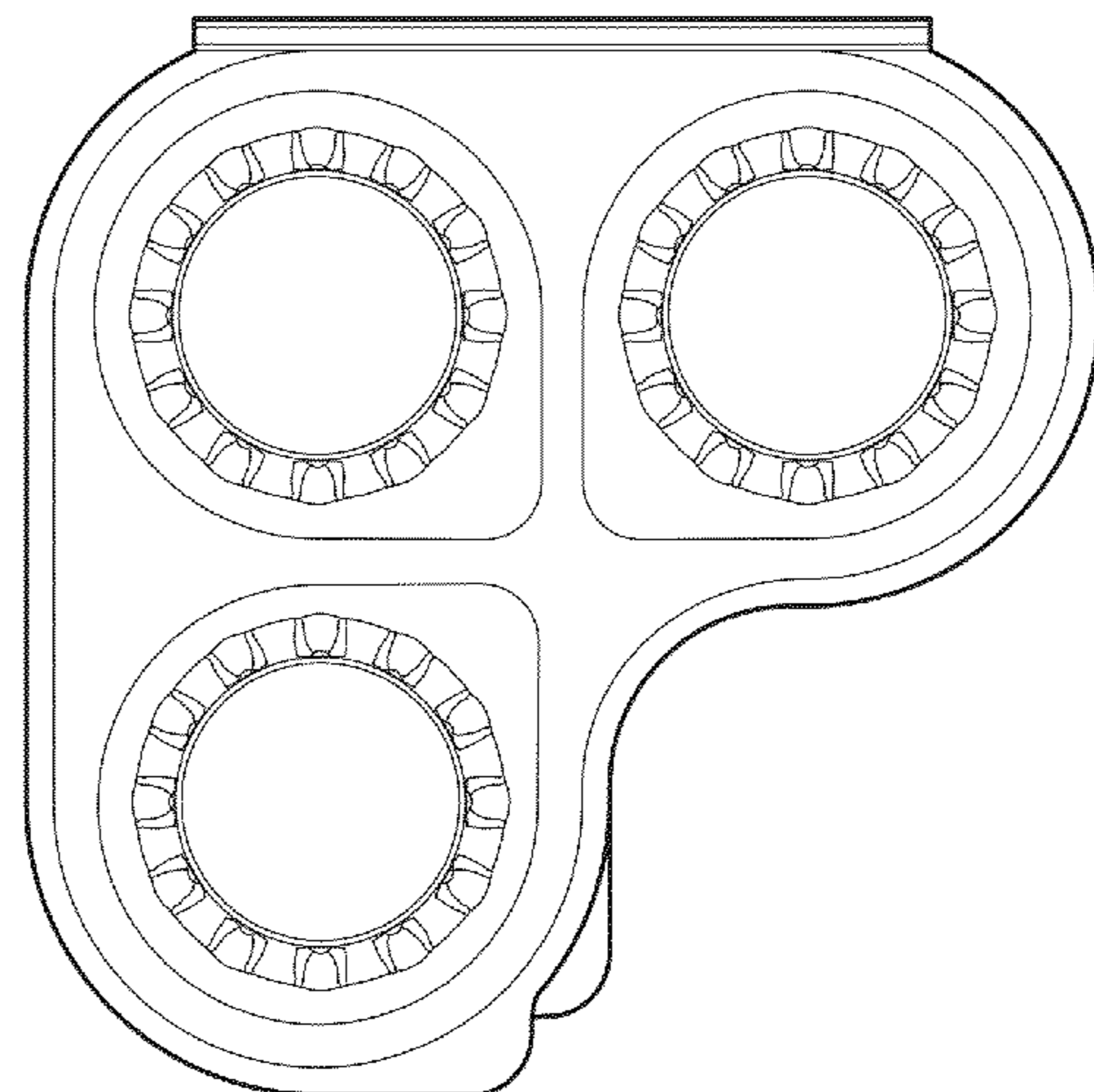
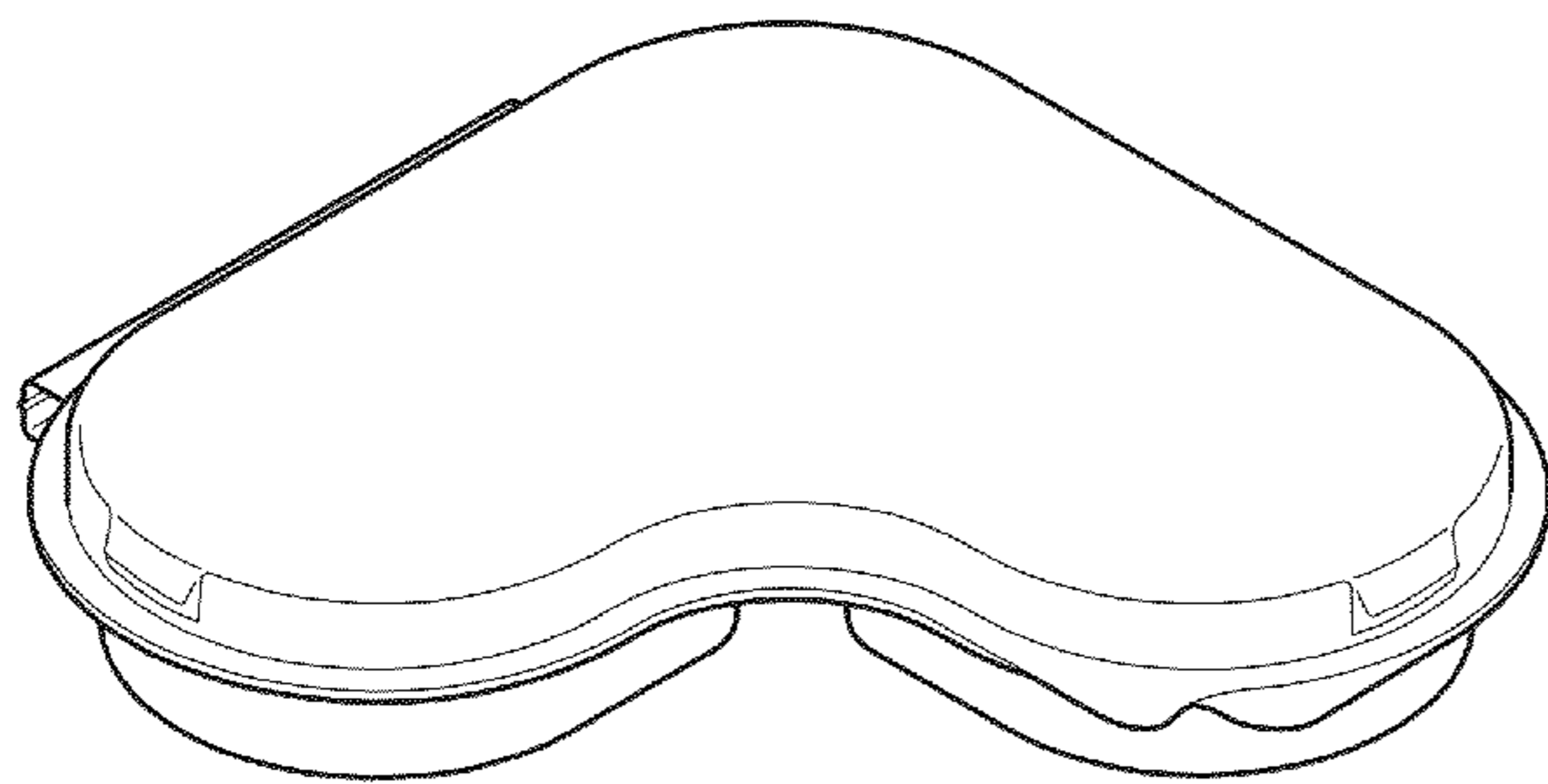
FIG. 4 is a right view of the blister package of FIG. 1;

FIG. 5 is a left side view of the blister package of FIG. 1;

FIG. 6 is a top view of the blister package of FIG. 1; and,

FIG. 7 is a bottom view of the blister package of FIG. 1.

1 Claim, 7 Drawing Sheets



(56)

References Cited

2012/0292332 A1* 11/2012 Maas A47G 19/30
220/737

U.S. PATENT DOCUMENTS

D741,722 S * 10/2015 Oaknin D9/629
D749,963 S * 2/2016 Oaknin D9/420

* cited by examiner

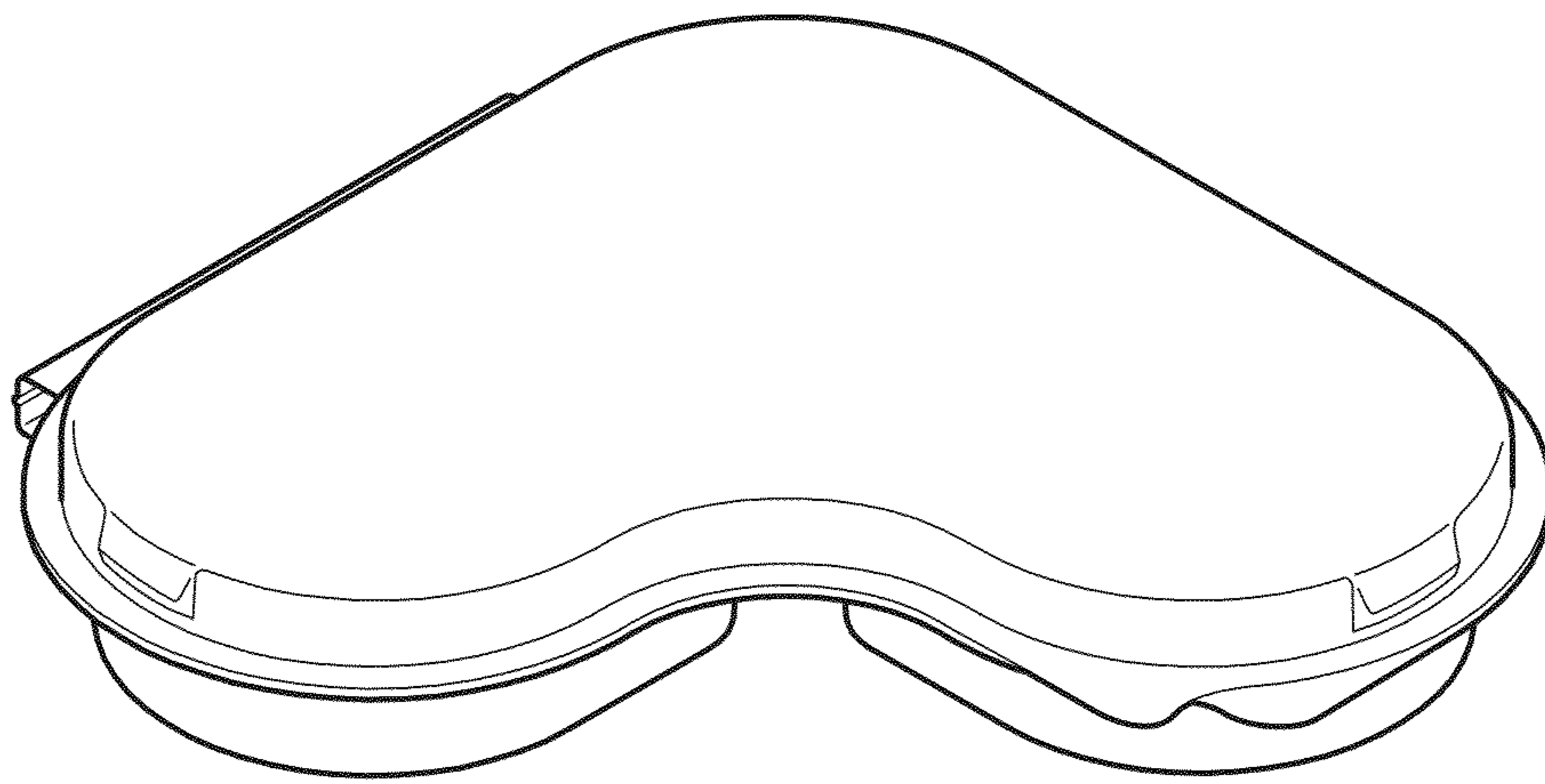


Fig. 1

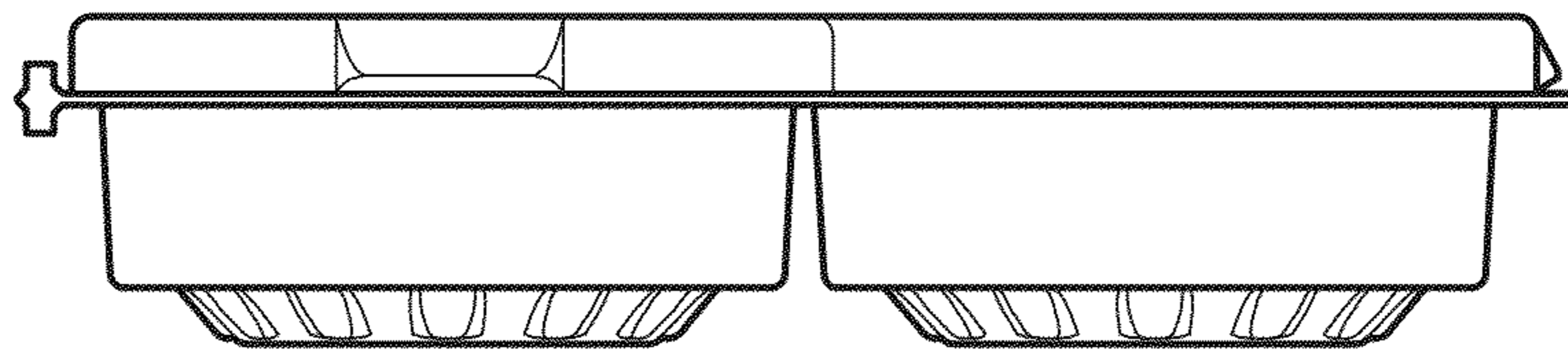


Fig. 2

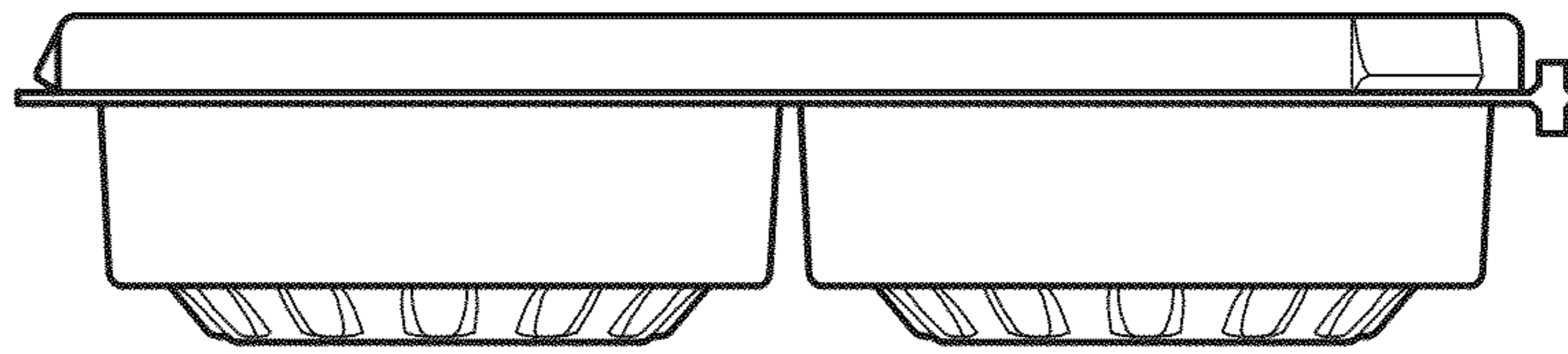


Fig. 3

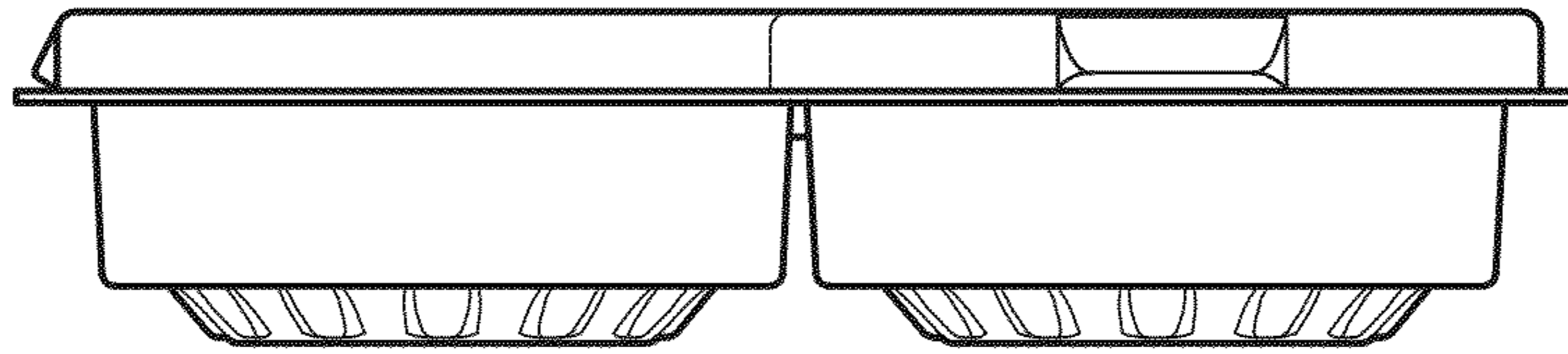


Fig. 4

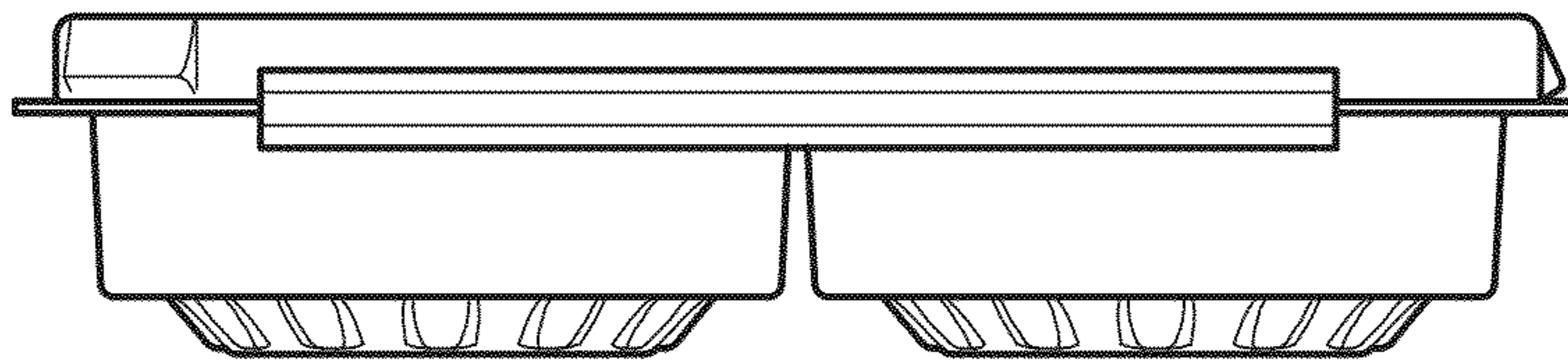


Fig. 5

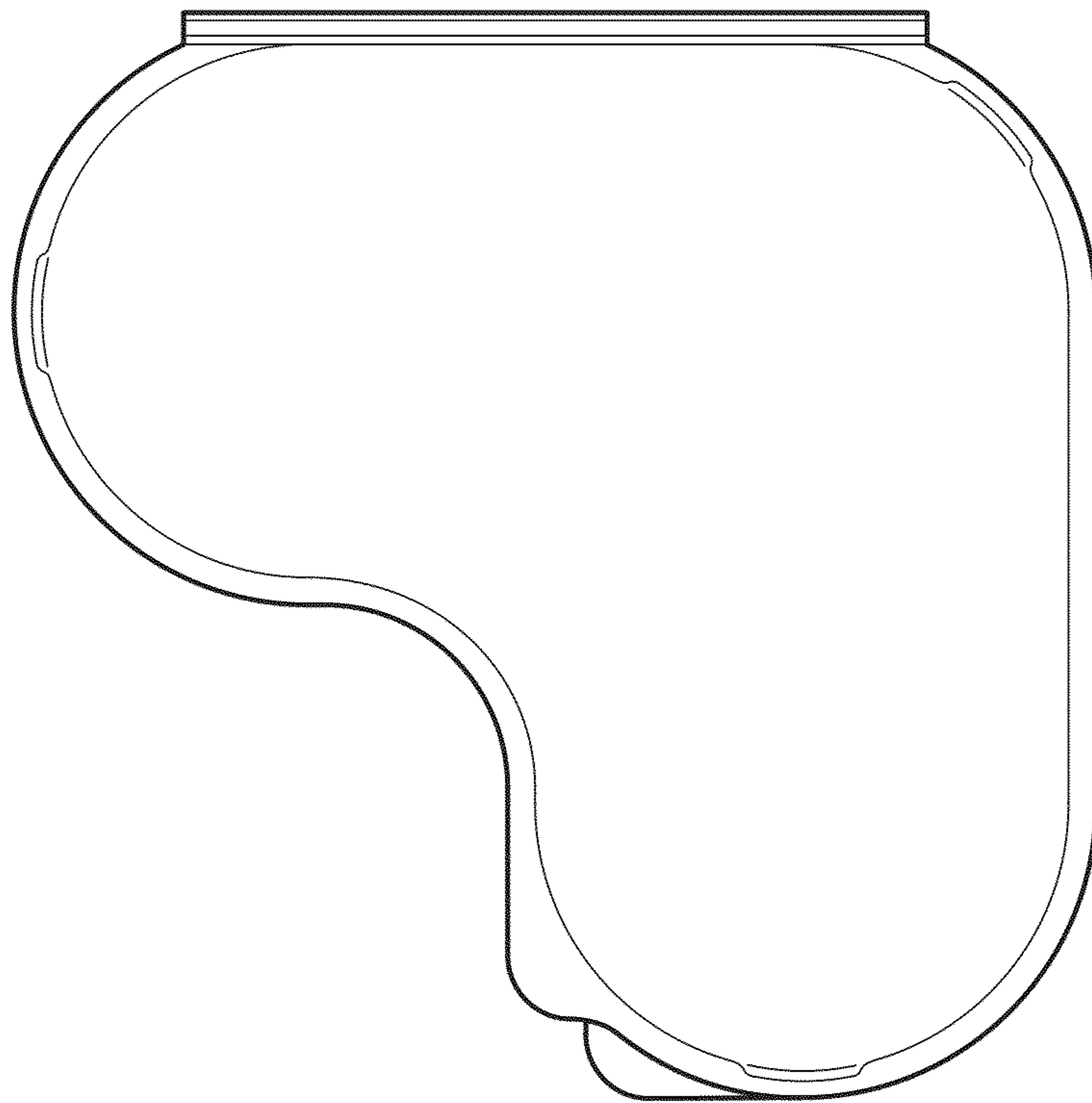


Fig. 6

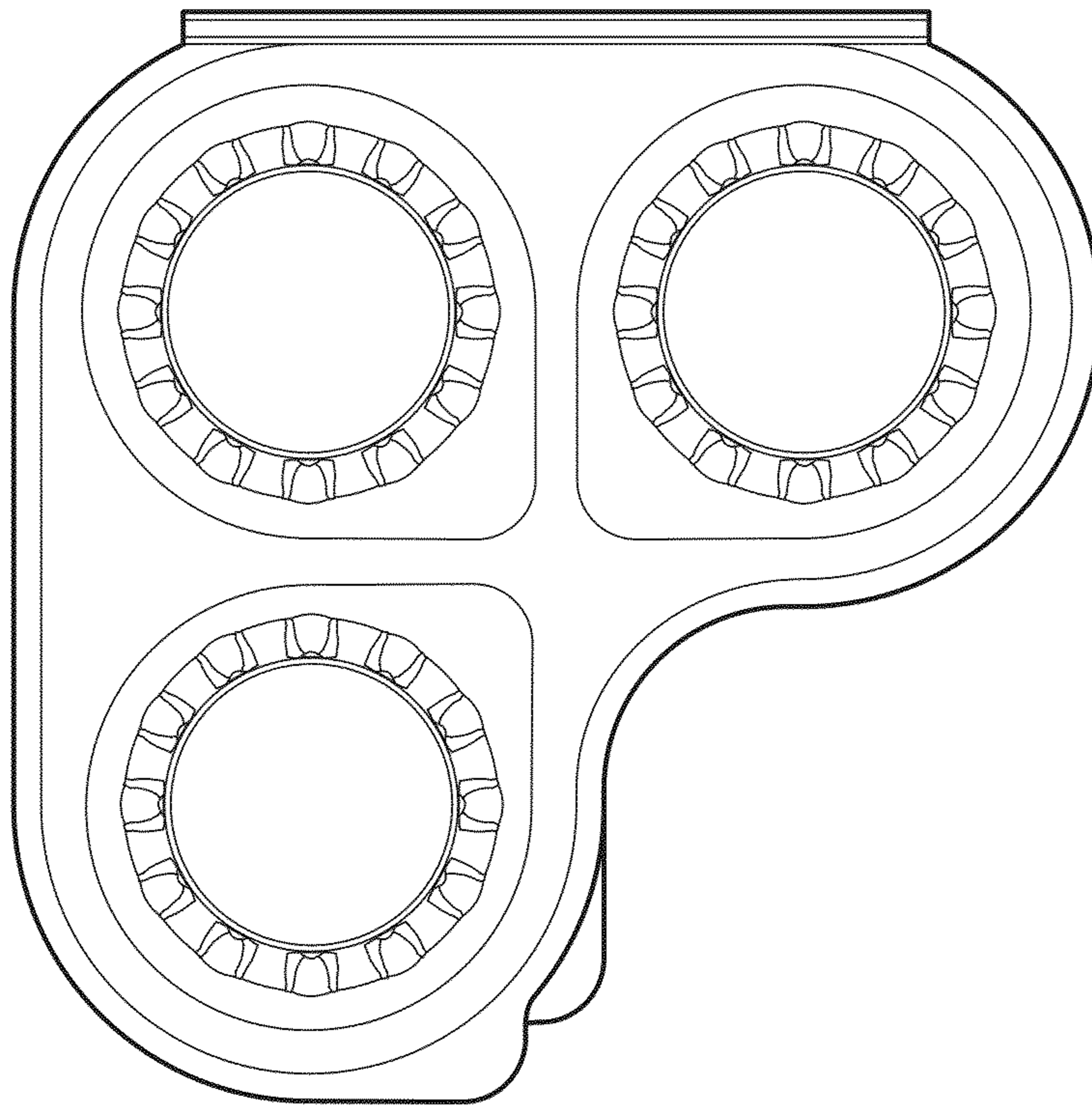


Fig. 7