



US00D758847S

(12) **United States Design Patent**
Stuart et al.

(10) **Patent No.:** **US D758,847 S**
(45) **Date of Patent:** **** Jun. 14, 2016**

(54) **STORAGE CONTAINER**
(71) Applicant: **Deflecto, LLC**, Indianapolis, IN (US)
(72) Inventors: **Christopher Stuart**, Noblesville, IN (US); **James DeChant**, Carmel, IN (US); **Cyril Bennett**, Indianapolis, IN (US); **Patrick Foley**, Fishers, IN (US); **Danielle Rodgers**, Indianapolis, IN (US)

D291,868 S * 9/1987 Hindle D9/453
D370,411 S * 6/1996 Vernon, IV D9/436
D408,632 S * 4/1999 Najmi D3/273
D525,786 S * 8/2006 Orlando D3/254
D536,963 S * 2/2007 Blasko D9/503
D548,973 S * 8/2007 Dawson D3/272
D558,451 S * 1/2008 Roesler D3/282
D583,506 S * 12/2008 Justice D28/86

(Continued)

(73) Assignee: **Deflecto, LLC**, Indianapolis, IN (US)
(**) Term: **14 Years**

OTHER PUBLICATIONS

Ribbon Storage, available Jul. 18, 2011, [online], [site visited Oct. 29, 2015]. Available from internet, <URL: <http://shannonjaredwight.blogspot.com/2011/07/ribbon-storage.html>>.*

(21) Appl. No.: **29/514,607**

(Continued)

(22) Filed: **Jan. 14, 2015**

Primary Examiner — Cathron Brooks
Assistant Examiner — Teddy Falloway

(51) **LOC (10) Cl.** **09-03**

(52) **U.S. Cl.**
USPC **D9/428**

(74) *Attorney, Agent, or Firm* — Dentons US LLP; Brian R. McGinley; Anne K. W. Sutton

(58) **Field of Classification Search**
USPC D9/500–505, 715, 718, 719, 737, 738, D9/739, 741, 772, 779, 780, 516, 529, 537, D9/539, 544, 545, 549, 550, 558, 434–436, D9/438, 439, 453, 456, 454; D3/201, 272, D3/273, 302; D7/509, 511, 538–542, 555, D7/601, 602, 612, 619.1; 215/382; 206/144, 192
CPC A47F 7/17; B65D 21/022; B65D 23/12; B65D 88/08; B65D 90/024; B65D 90/08; B65G 51/06

(57) **CLAIM**
The ornamental design for a storage container, as shown and described.

See application file for complete search history.

DESCRIPTION

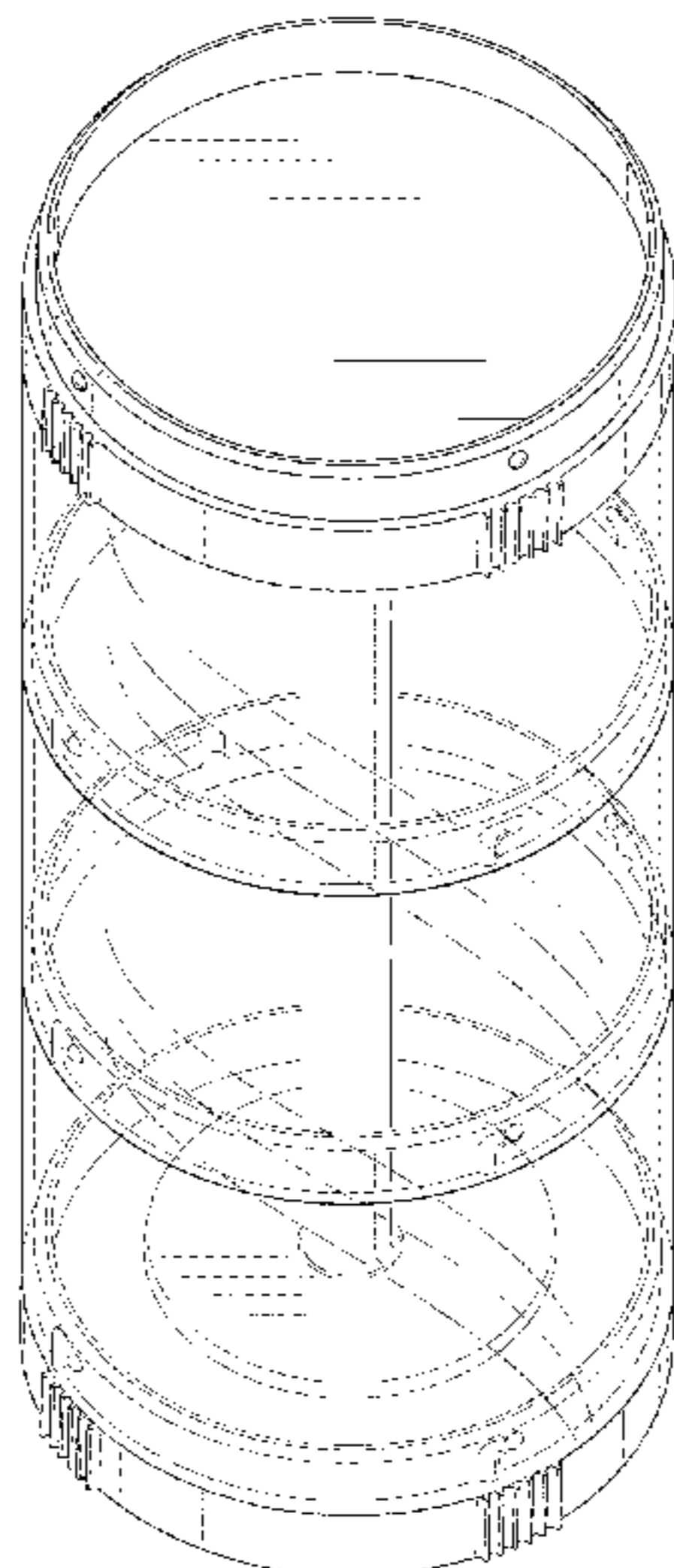
FIG. 1 is a front, perspective view of a storage container in an assembled and closed configuration with a plunger inserted; FIG. 2 is a front elevational view of the storage container thereof, the rear, left and right elevational views of the design being the same; FIG. 3 is a top view of the storage container of FIG. 1; FIG. 4 is a bottom view of the storage container of FIG. 1; and, FIG. 5 is a cross sectional view of the storage container thereof, taken along line 5-5 of FIG. 3. The broken lines shown are included for the purpose of illustrating portions of the stand that form no part of the claimed design.

(56) **References Cited**

U.S. PATENT DOCUMENTS

2,285,270 A * 6/1942 Gelow A47F 7/17
206/402
D160,876 S * 11/1950 Mesi D7/596
4,219,290 A * 8/1980 Golston B65G 51/06
406/186

1 Claim, 4 Drawing Sheets



(56)

References Cited

U.S. PATENT DOCUMENTS

D654,374	S *	2/2012	Lauder	D9/715
D698,266	S *	1/2014	Downs	D9/524
D703,052	S *	4/2014	Park	D9/503
D717,654	S *	11/2014	Aular	D9/504
D722,113	S *	2/2015	Knight	D20/8
D740,029	S *	10/2015	Otto	D3/302
D741,181	S *	10/2015	Bar-Tal	D9/449
D741,717	S *	10/2015	Bar-Tal	D9/550
2010/0181275	A1 *	7/2010	Gruenwald	B65D 23/12 215/6
2014/0069917	A1 *	3/2014	Meyers	B65D 51/242 220/23.88

OTHER PUBLICATIONS

DIY Ribbon Organizer, available Mar. 10, 2014, [online], [site visited Oct. 29, 2015]. Available from internet, <URL: <http://ribbons.com/diy-ribbon-organizers/>.*

Stacked-up Storage Cylinder (Muji Madness), available Oct. 23, 2010, [online], [site visited Oct. 29, 2015]. Available from internet, <URL: <https://thelippie.wordpress.com/2010/10/23/muji-madness/>.*

Stackable Craft Container, available Sep. 30, 2010, [online], [site visited Oct. 29, 2015]. Available from internet, <URL: <http://www.amazon.com/Storage-Stackable-Containers-Crafts-Findings/dp/B001AS6OLK>.*

* cited by examiner

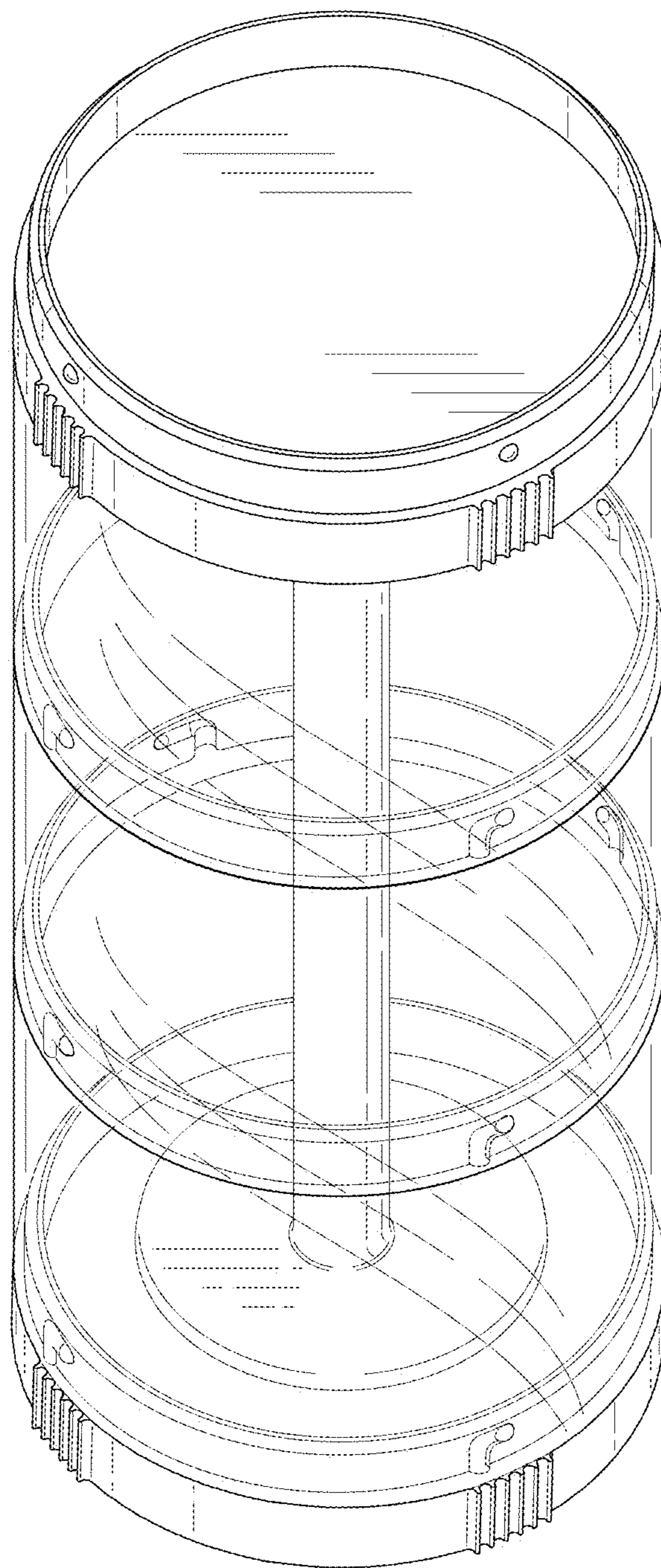


FIG. 1

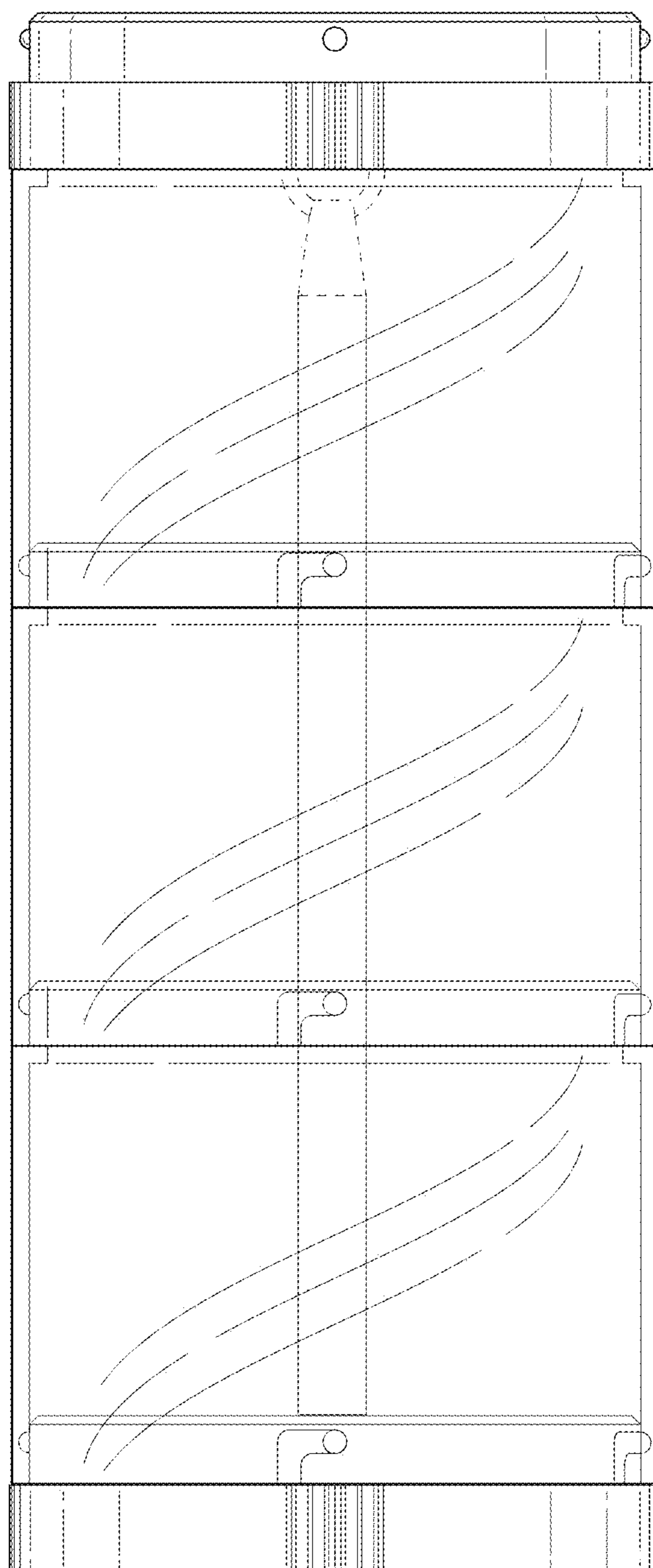


FIG. 2

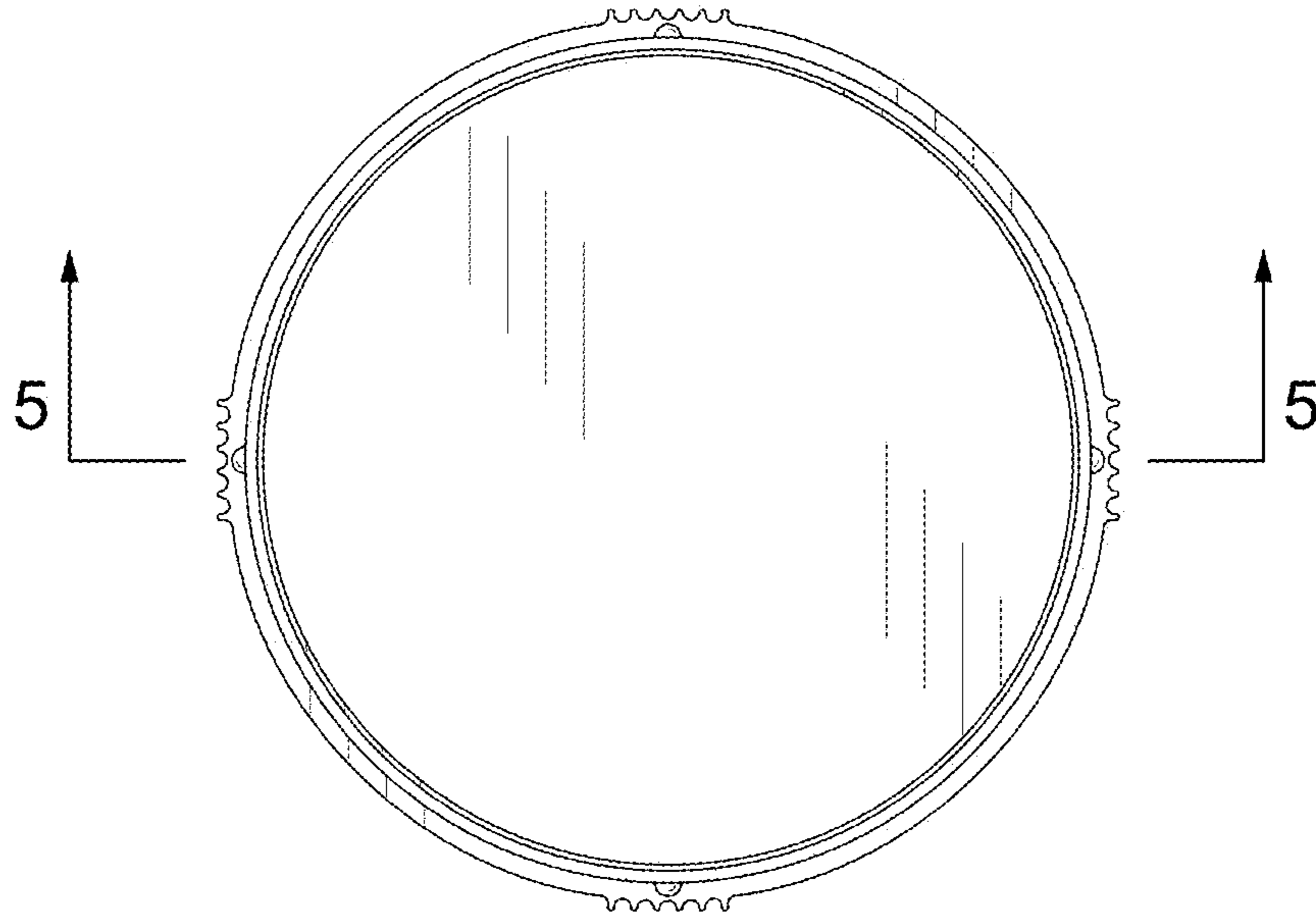


FIG. 3

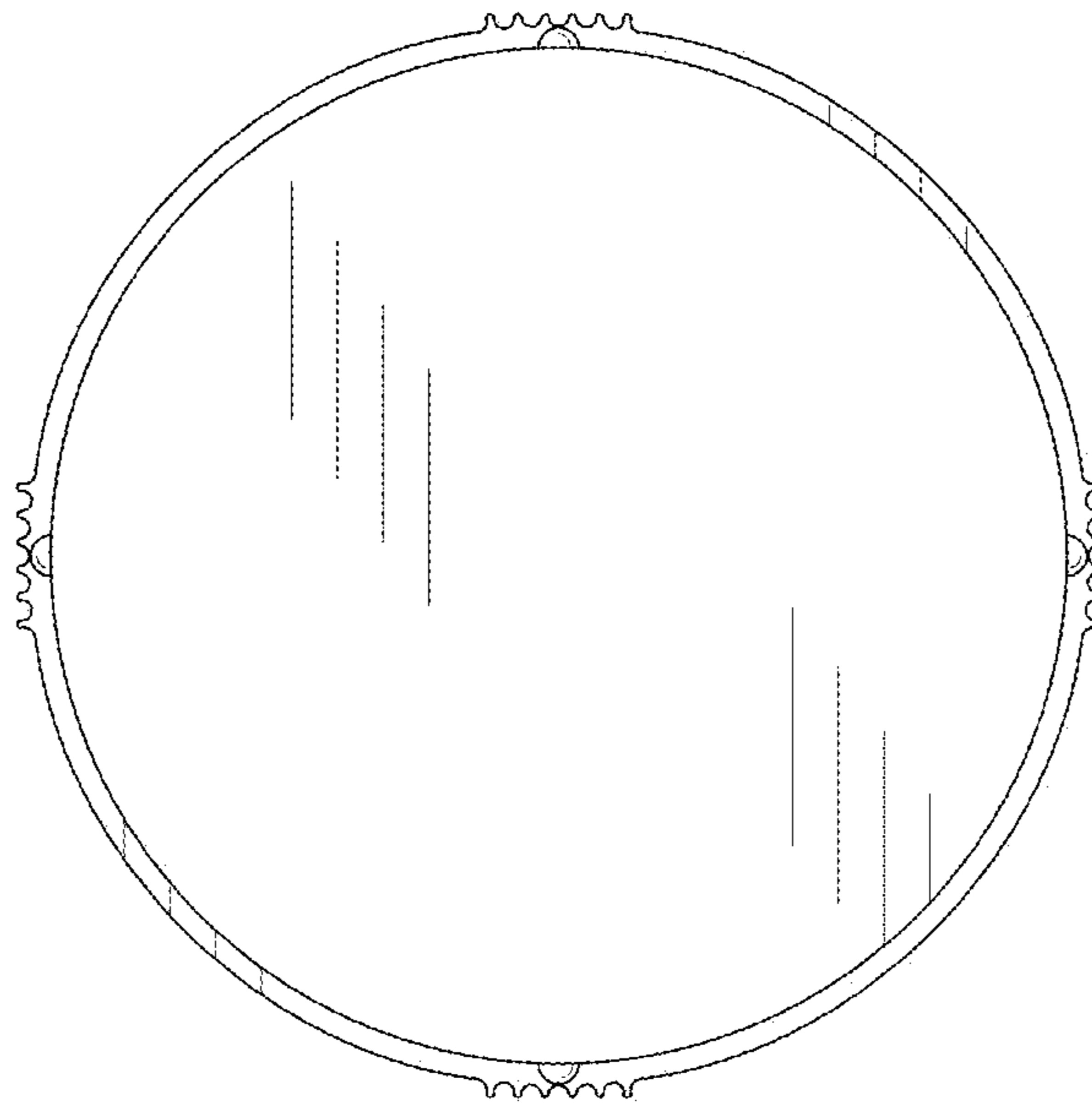


FIG. 4

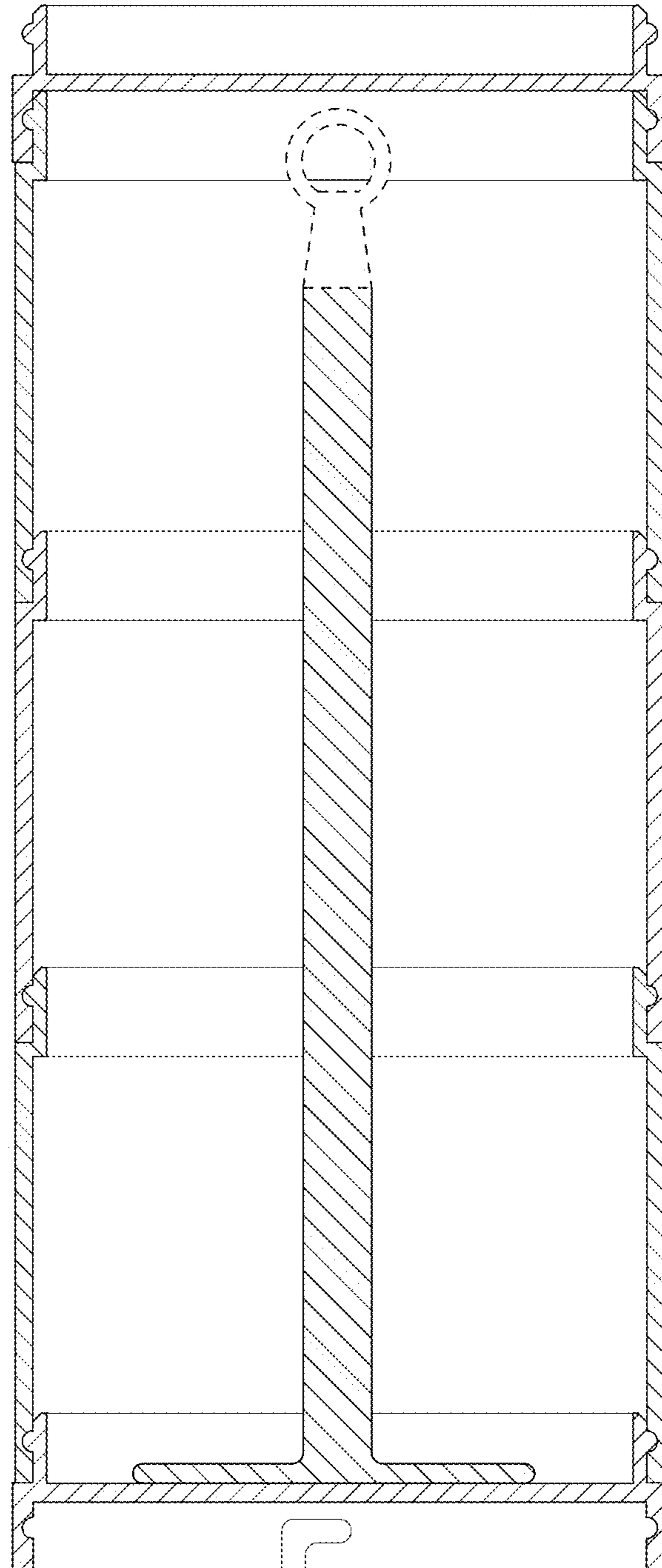


FIG. 5