



US00D758841S

(12) **United States Design Patent**
Russo

(10) **Patent No.:** **US D758,841 S**
(45) **Date of Patent:** **** Jun. 14, 2016**

- (54) **ELECTRONICS PACKAGE**
- (71) Applicant: **GoPro, Inc.**, San Mateo, CA (US)
- (72) Inventor: **Stephanie Russo**, San Francisco, CA (US)
- (73) Assignee: **GoPro, Inc.**, San Mateo, CA (US)
- (**) Term: **14 Years**
- (21) Appl. No.: **29/523,177**
- (22) Filed: **Apr. 7, 2015**
- (51) **LOC (10) Cl.** **09-03**
- (52) **U.S. Cl.**
USPC **D9/415**
- (58) **Field of Classification Search**
USPC D9/414-419, 432, 499, 722, 703, 669,
D9/721, 423; 206/776, 474
CPC B65D 5/4204
See application file for complete search history.

D681,444 S *	5/2013	Oja	D9/418
D684,457 S *	6/2013	Salow	D9/415
D691,464 S *	10/2013	Lee	D9/415
8,607,987 B2 *	12/2013	Oja	B65D 5/4204 206/776
D699,562 S *	2/2014	Klauder	D9/418
D703,036 S *	4/2014	Baumwald	D9/418
D703,530 S *	4/2014	Caldecourt	D9/432
D717,160 S *	11/2014	Kurniawan	D9/415
D721,597 S *	1/2015	Zumwalt	D9/415
D740,690 S *	10/2015	Glass	D9/722
D747,960 S *	1/2016	Sculler	D9/418
D749,964 S *	2/2016	Glass	D9/703

* cited by examiner

Primary Examiner — Holly Baynham
Assistant Examiner — Rhea Shields

(74) *Attorney, Agent, or Firm* — Fenwick & West LLP

(57) **CLAIM**

The ornamental design for an electronics package, as shown and described.

DESCRIPTION

FIG. 1 is a front, top and left side perspective view of an electronics package showing our my design;
 FIG. 2 is a rear, top, and left side perspective view thereof;
 FIG. 3 is a front elevational view thereof;
 FIG. 4 is a rear elevational view thereof;
 FIG. 5 is a right side elevational view thereof;
 FIG. 6 is a left side elevational view thereof;
 FIG. 7 is a top plan view thereof;
 FIG. 8 is a bottom plan view thereof;
 FIG. 9 is a front elevational view thereof; and,
 FIG. 10 is a rear elevational view thereof.

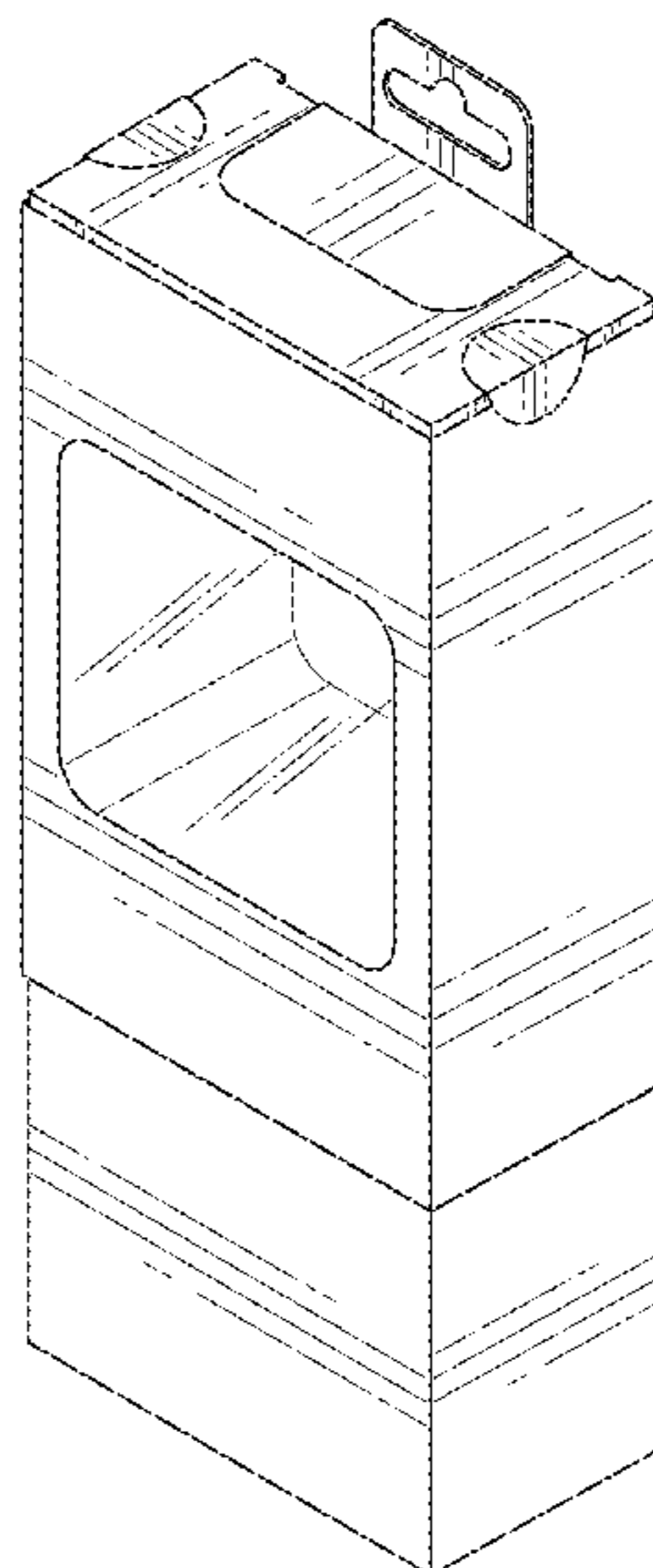
The broken lines in the drawings showing portions of the electronics package are included for the purpose of illustrating environmental structure and form no part of the claimed design.

1 Claim, 10 Drawing Sheets

(56) **References Cited**

U.S. PATENT DOCUMENTS

D349,458 S *	8/1994	Verdaguer	D9/415
D383,669 S *	9/1997	Taylor	D9/669
D384,276 S *	9/1997	Casey	D9/415
D485,172 S *	1/2004	Defino, Jr.	D9/415
D538,676 S *	3/2007	Millen	D9/415
7,243,800 B1 *	7/2007	Feibelman	B65D 5/4204 206/474
D561,580 S *	2/2008	Croft	D9/415
D564,872 S *	3/2008	Kamins	D9/418
D592,053 S *	5/2009	Suzuki	D9/418
D633,381 S *	3/2011	Klauder	D9/418
D652,321 S *	1/2012	Melnick	D9/721
D668,141 S *	10/2012	Collins	D9/423
D668,535 S *	10/2012	Collins	D9/423
D671,400 S *	11/2012	Armstrong	D9/415
D671,401 S *	11/2012	Grabes	D9/418
D671,829 S *	12/2012	Sung	D9/418



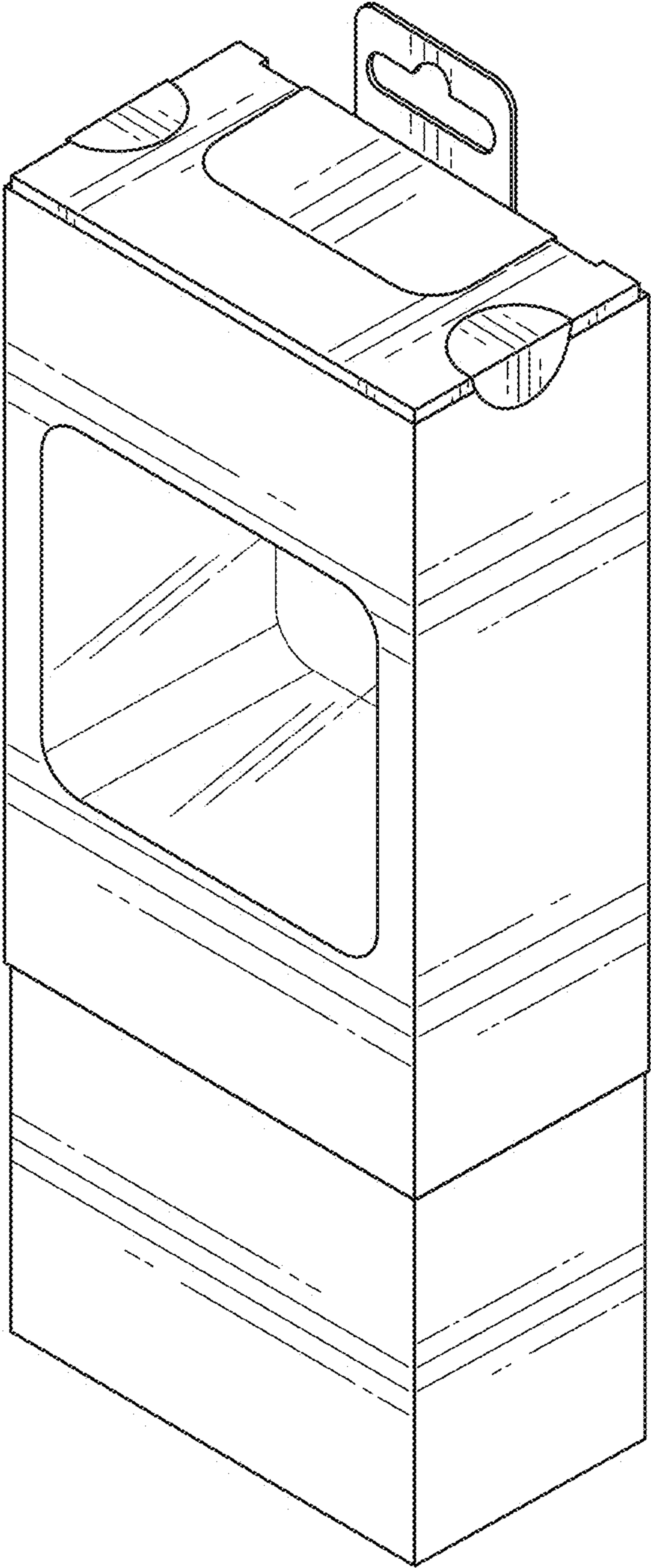


FIG. 1

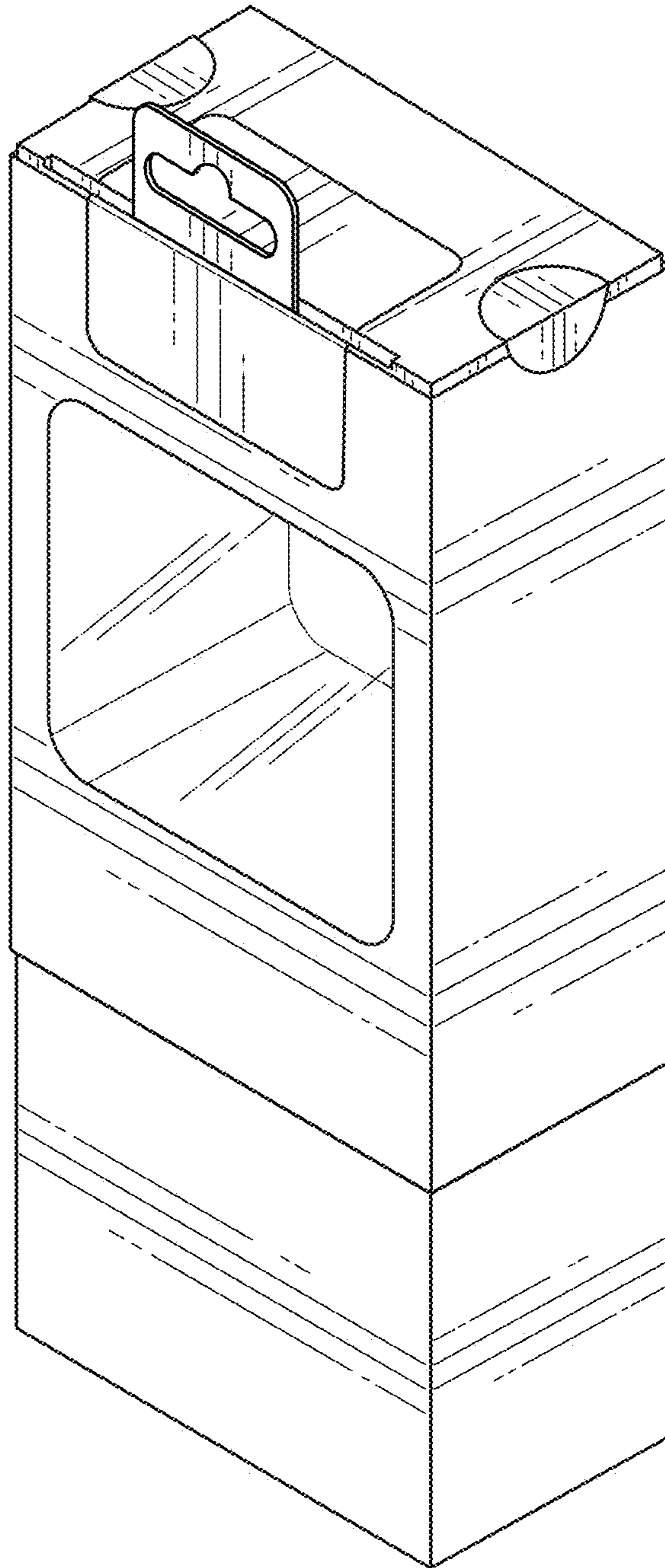


FIG. 2

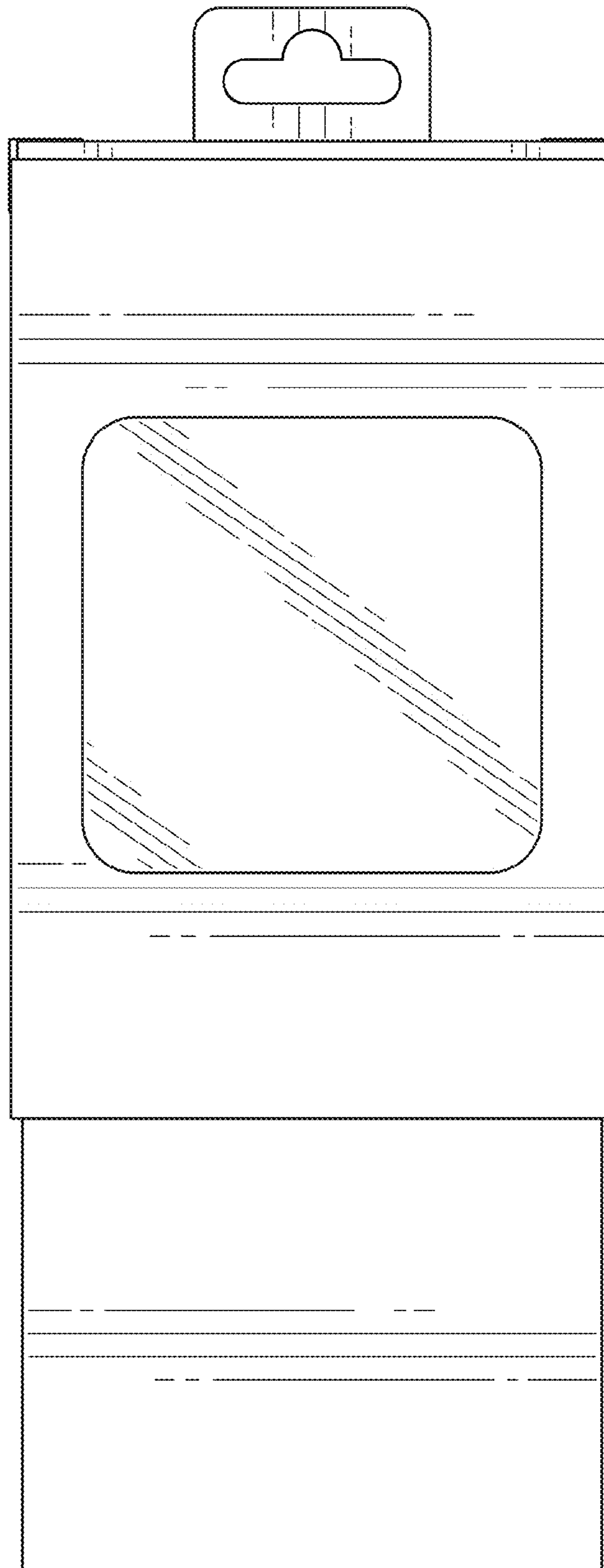


FIG. 3

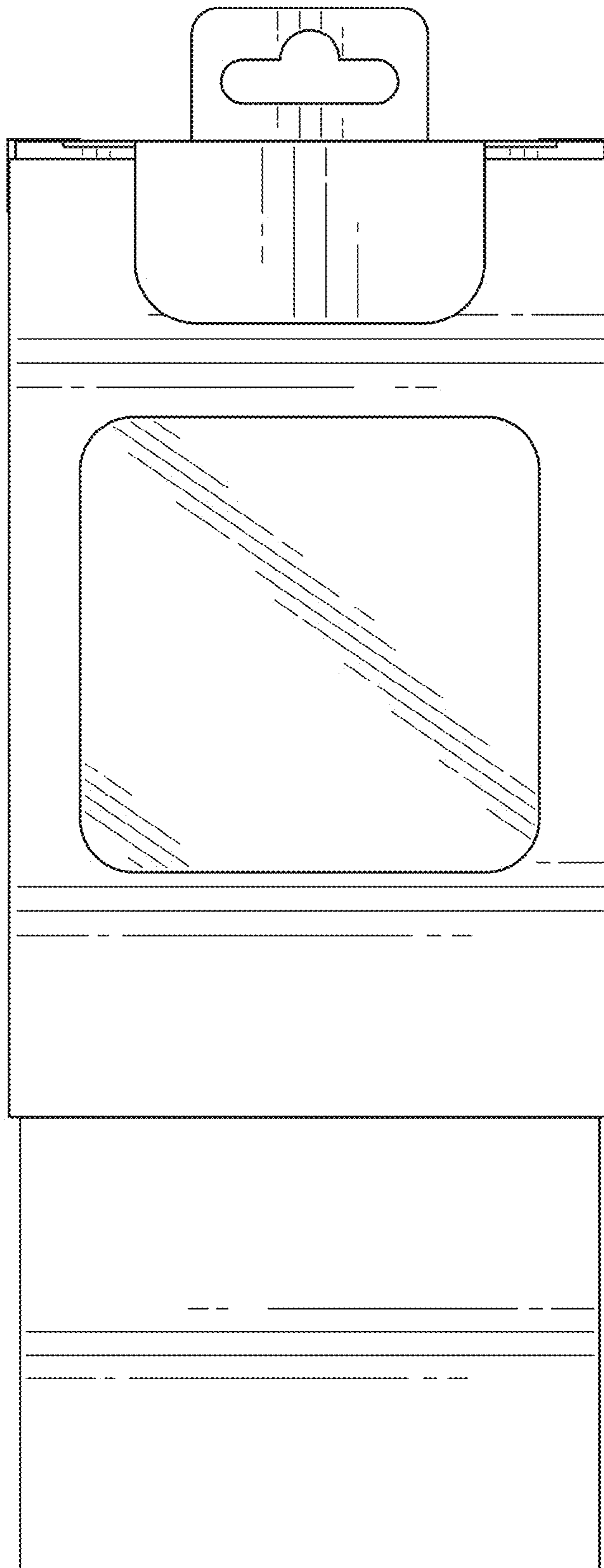


FIG. 4

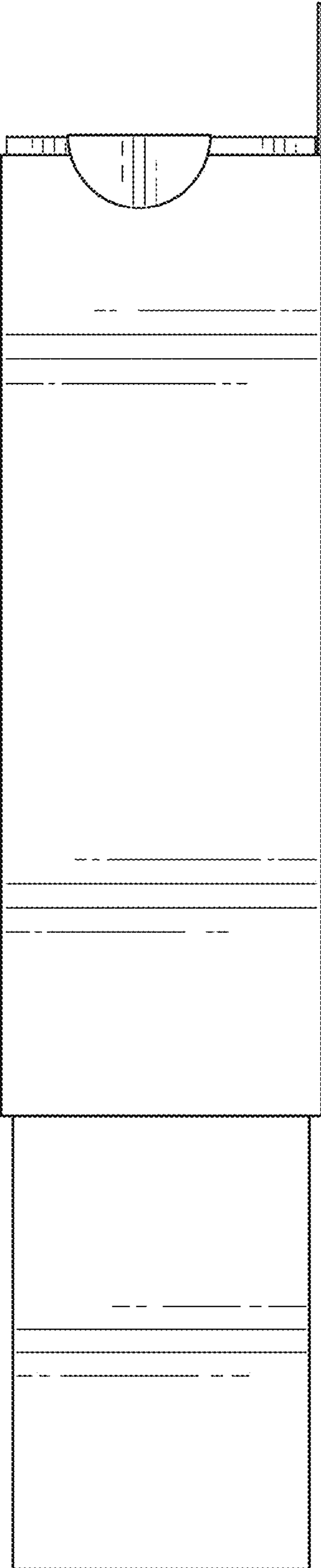


FIG. 5

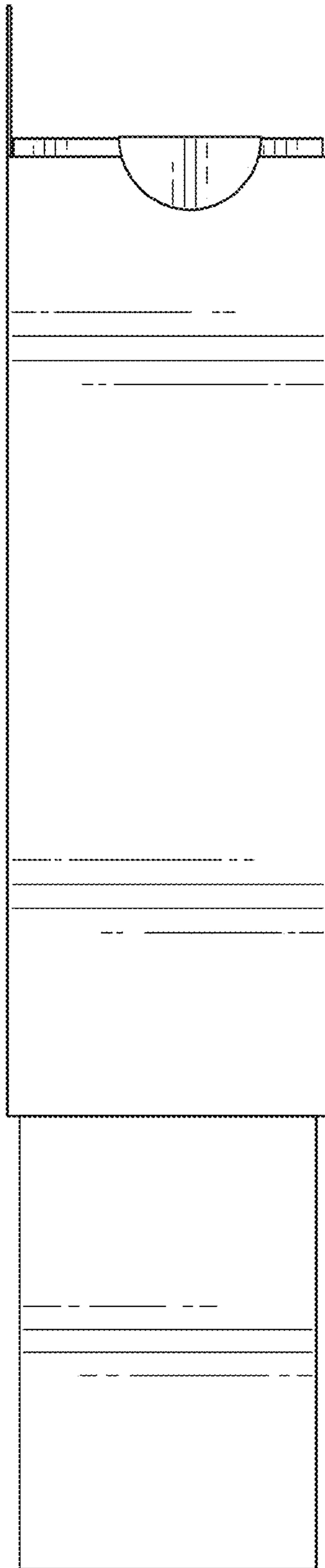


FIG. 6

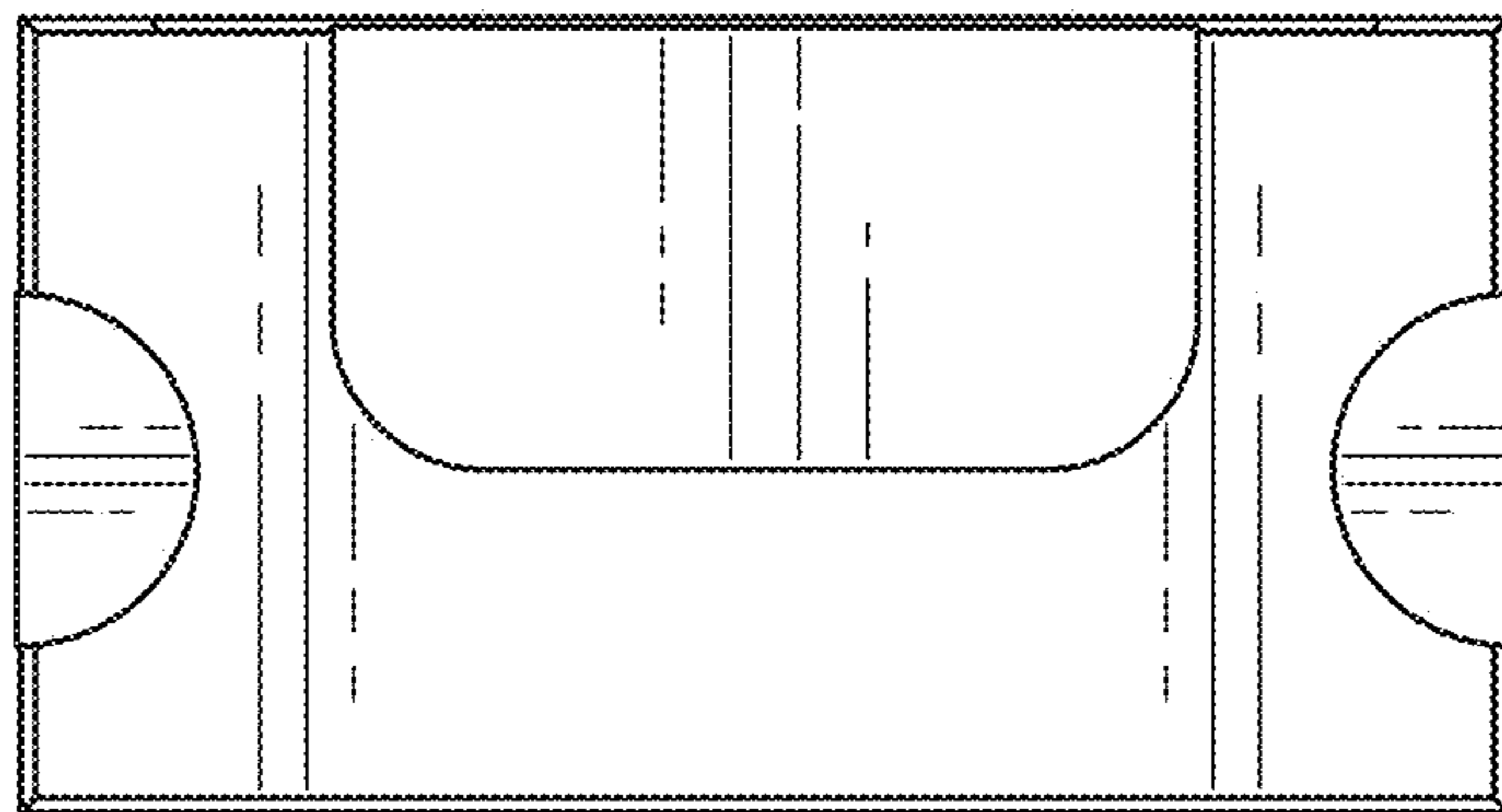


FIG. 7

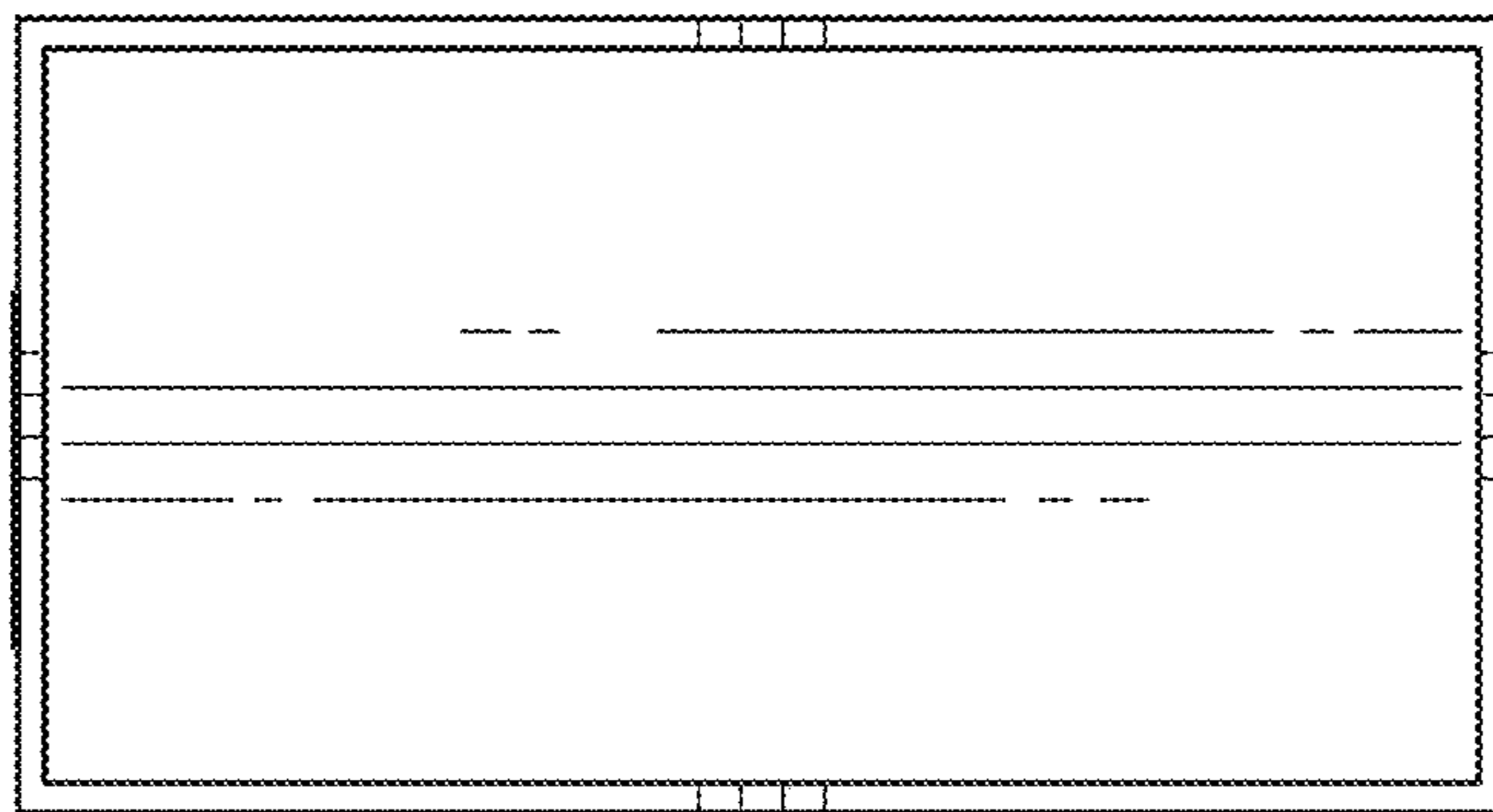


FIG. 8

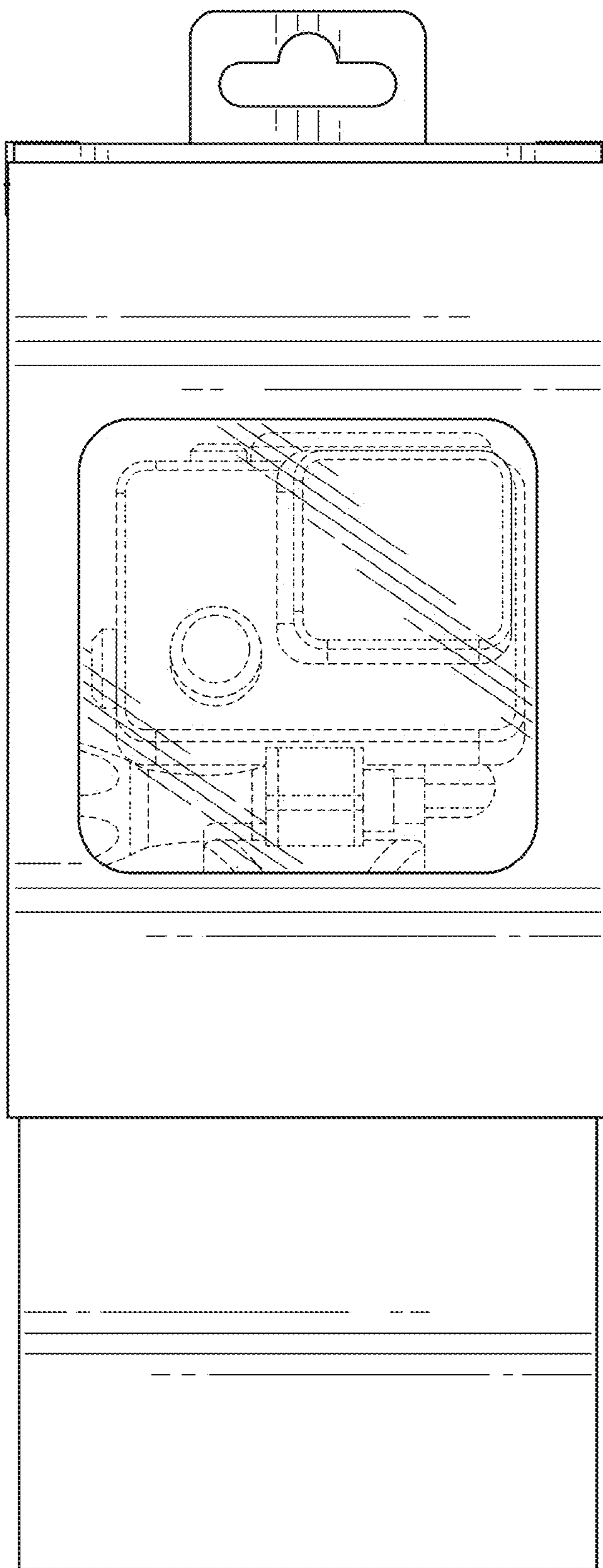


FIG. 9

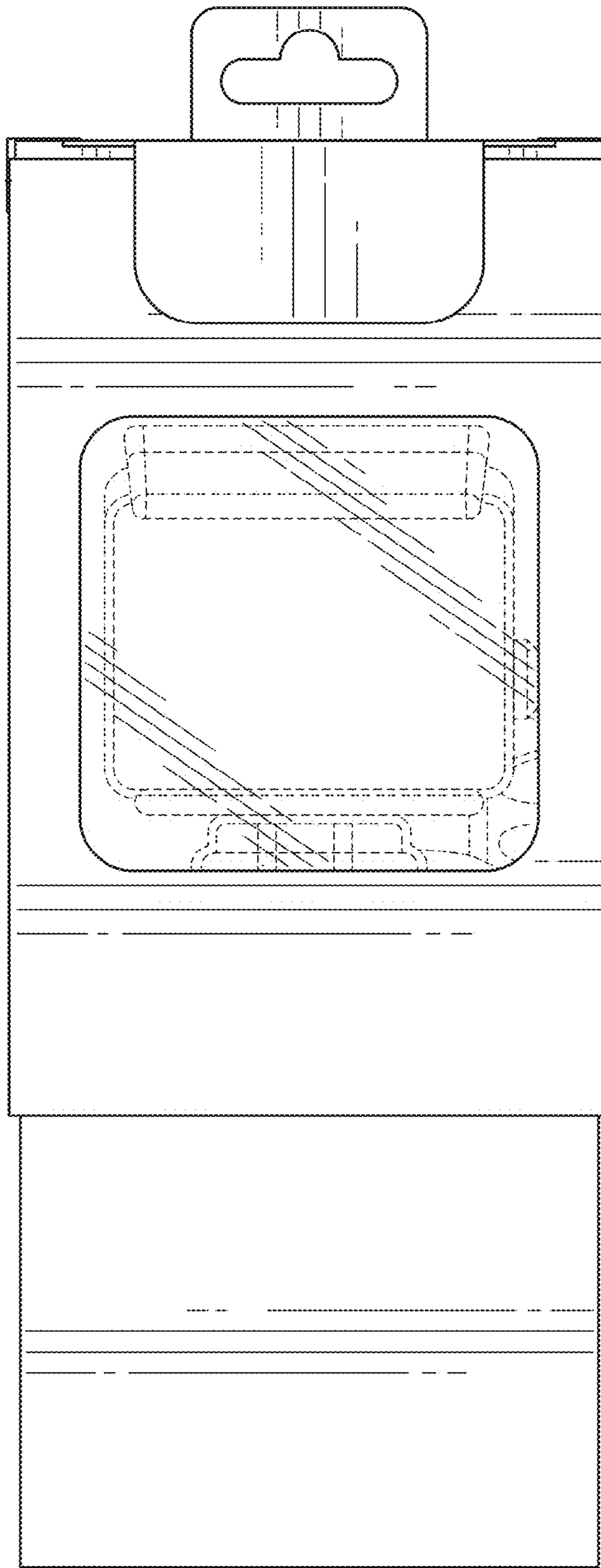


FIG. 10