



US00D758840S

(12) **United States Design Patent**
Edmonds

(10) **Patent No.:** **US D758,840 S**
(45) **Date of Patent:** **** Jun. 14, 2016**

(54) **BOX FOR BOTTLES**

(71) Applicant: **Smartsy, LLC**, Atlanta, GA (US)

(72) Inventor: **Ryan C. Edmonds**, Atlanta, GA (US)

(73) Assignee: **Smartsy, LLC**, Atlanta, GA (US)

(**) Term: **14 Years**

(21) Appl. No.: **29/518,705**

(22) Filed: **Feb. 26, 2015**

(51) **LOC (10) Cl.** **09-03**

(52) **U.S. Cl.**
USPC **D9/415**

(58) **Field of Classification Search**

USPC D9/414-418, 753, 751, 754, 434, 433,
D9/721, 455; 206/194, 162; D6/683.1;
D19/85; D16/302; D7/602
CPC B65D 21/02; B65D 71/0022
See application file for complete search history.

(56) **References Cited**

U.S. PATENT DOCUMENTS

D292,879 S * 11/1987 Smith D9/415
D317,404 S * 6/1991 Schuster D16/302

(Continued)

Primary Examiner — Holly Baynham

Assistant Examiner — Rhea Shields

(74) *Attorney, Agent, or Firm* — Nicolo Davidson; Waller
Lansden Dortch & Davis, LLP

(57) **CLAIM**

The ornamental design for a box for bottles, as shown and described.

DESCRIPTION

FIG. 1 is an isometric view of the box for bottles in accordance with a first embodiment, showing my new design;

FIG. 2 is an isometric view of the box for bottles of FIG. 1 containing bottles;

FIG. 3 is a front view of the box for bottles of FIG. 1;

FIG. 4 is a left side view of the box for bottles of FIG. 1;

FIG. 5 is a right side view of the box for bottles of FIG. 1;

FIG. 6 is a back view of the box for bottles of FIG. 1;

FIG. 7 is a top view of the box for bottles of FIG. 1;

FIG. 8 is a bottom view of the box for bottles of FIG. 1;

FIG. 9 is an isometric view of the box for bottles in accordance with a second embodiment, showing my new design;

FIG. 10 is an isometric view of the box for bottles of FIG. 9 containing bottles;

FIG. 11 is a front view of the box for bottles of FIG. 9;

FIG. 12 is a left side view of the box for bottles of FIG. 9;

FIG. 13 is a right side view of the box for bottles of FIG. 9;

FIG. 14 is a back view of the box for bottles of FIG. 9;

FIG. 15 is a top view of the box for bottles of FIG. 9;

FIG. 16 is a bottom view of the box for bottles of FIG. 9;

FIG. 17 is an isometric view of the box for bottles in accordance with a third embodiment, showing my new design;

FIG. 18 is an isometric view of the box for bottles of FIG. 17 containing bottles;

FIG. 19 is a front view of the box for bottles of FIG. 17;

FIG. 20 is a left side view of the box for bottles of FIG. 17;

FIG. 21 is a right side view of the box for bottles of FIG. 17;

FIG. 22 is a back view of the box for bottles of FIG. 17;

FIG. 23 is a top view of the box for bottles of FIG. 17;

FIG. 24 is a bottom view of the box for bottles of FIG. 17;

FIG. 25 is an isometric view of the box for bottles in accordance with a fourth embodiment, showing my new design;

FIG. 26 is an isometric view of the box for bottles of FIG. 25 containing bottles;

FIG. 27 is a front view of the box for bottles of FIG. 25;

FIG. 28 is a left side view of the box for bottles of FIG. 25;

FIG. 29 is a right side view of the box for bottles of FIG. 25;

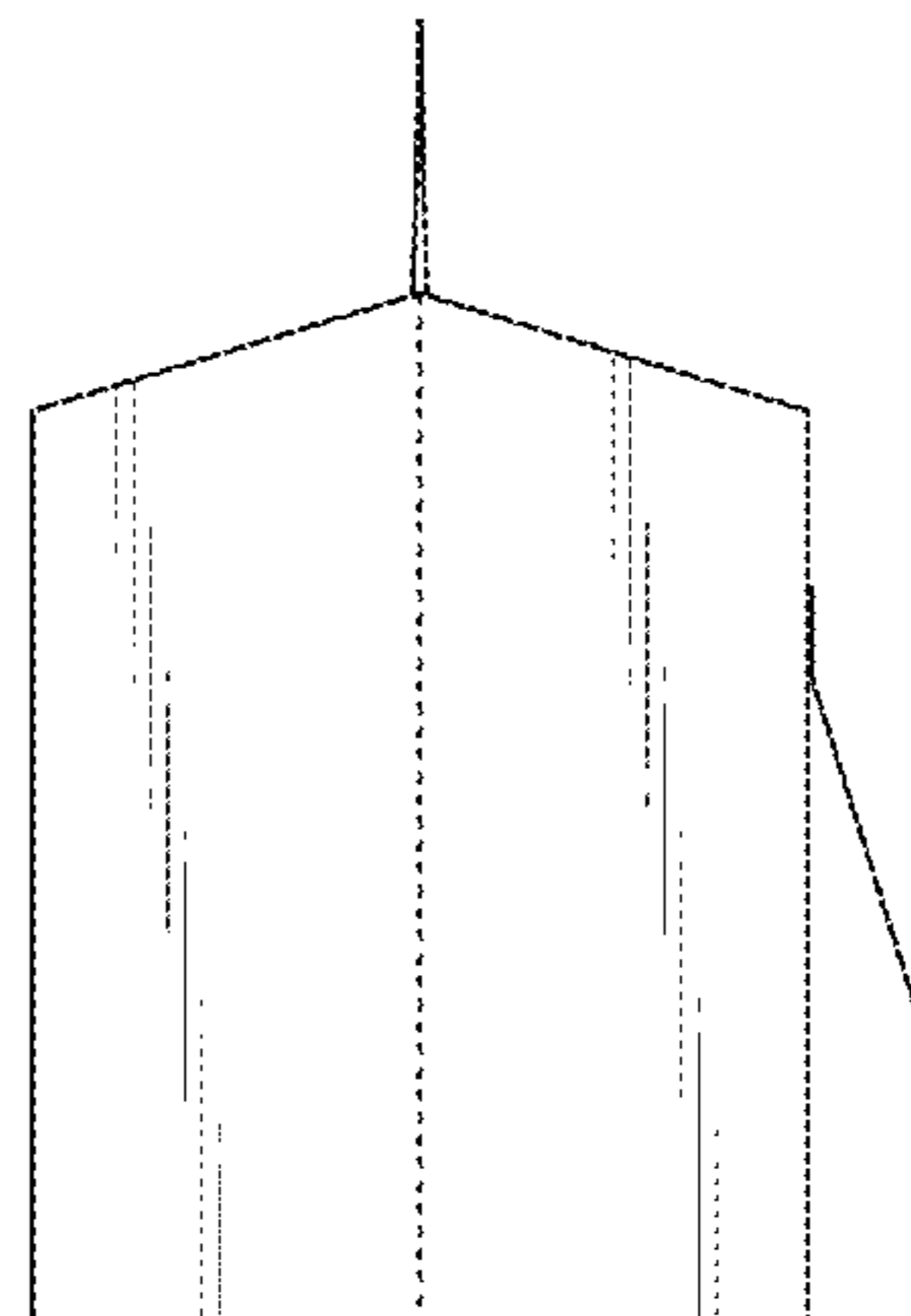
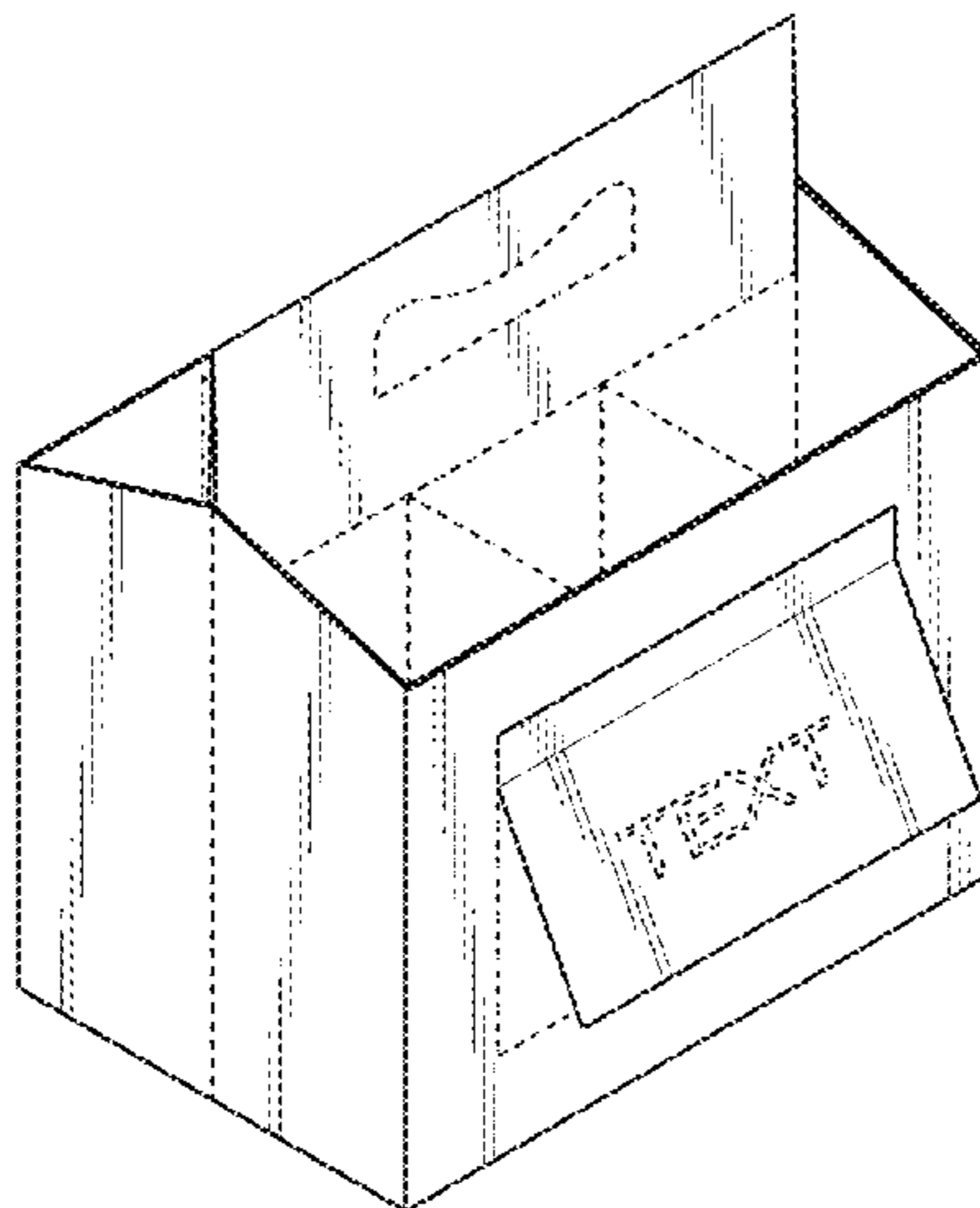
FIG. 30 is a back view of the box for bottles of FIG. 25;

FIG. 31 is a top view of the box for bottles of FIG. 25; and,

FIG. 32 is a bottom view of the box for bottles of FIG. 25.

In the drawings, the broken lines are for the purpose of illustrating environment only and form no part of the claimed design.

1 Claim, 12 Drawing Sheets



(56)

References Cited

U.S. PATENT DOCUMENTS

D354,679 S *	1/1995	Dunn	D9/415	D525,866 S *	8/2006	Oliveira	D9/751
D370,175 S *	5/1996	McCallum	D7/602	D531,026 S *	10/2006	McMorris	D9/754
D370,412 S *	6/1996	Rohrer	D7/602	D541,150 S *	4/2007	Holley, Jr.	D9/434
D389,739 S *	1/1998	Auclair	D9/418	D620,353 S *	7/2010	Block	D9/433
D393,590 S *	4/1998	Roney	D9/416	D620,354 S *	7/2010	Block	D9/433
5,927,502 A *	7/1999	Hunter	B65D 21/02 206/194	D633,810 S *	3/2011	Jenkins	D9/721
D418,052 S *	12/1999	Scrimger	D9/418	D660,701 S *	5/2012	Cox	D9/455
D446,448 S *	8/2001	Jernigan	D9/418	D668,545 S *	10/2012	Cox	D9/455
D493,304 S *	7/2004	Shaw	D6/683.1	D681,119 S *	4/2013	Stravitz	D19/85
D516,439 S *	3/2006	Cargile, Jr.	D9/753	D709,775 S *	7/2014	Perkins	D9/751
					D729,073 S *	5/2015	Wasilewski	D9/753
					D744,824 S *	12/2015	Holley, Jr.	D9/415
					2002/0117407 A1 *	8/2002	Holley, Jr.	B65D 71/0022 206/162

* cited by examiner

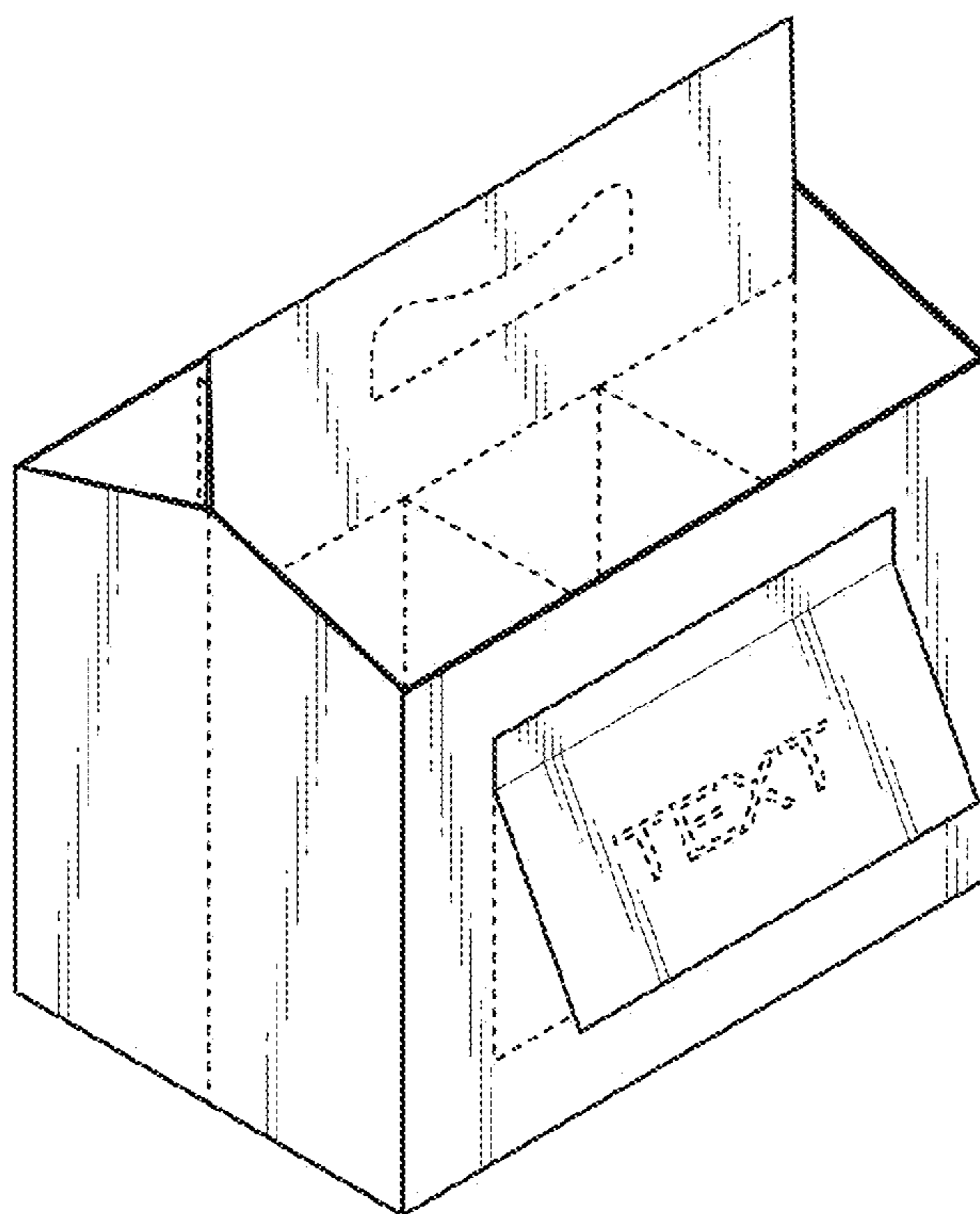


FIG. 1

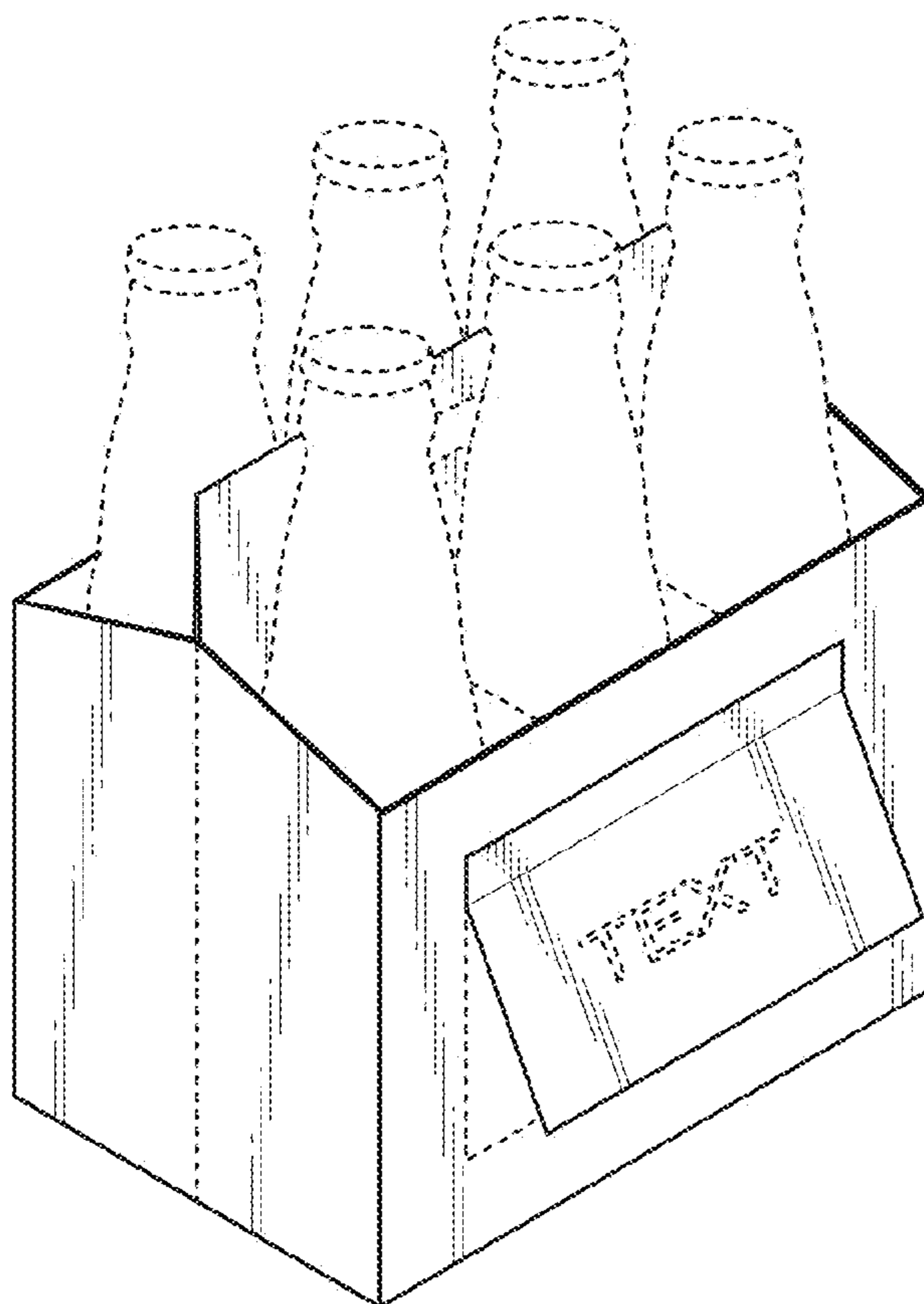


FIG. 2

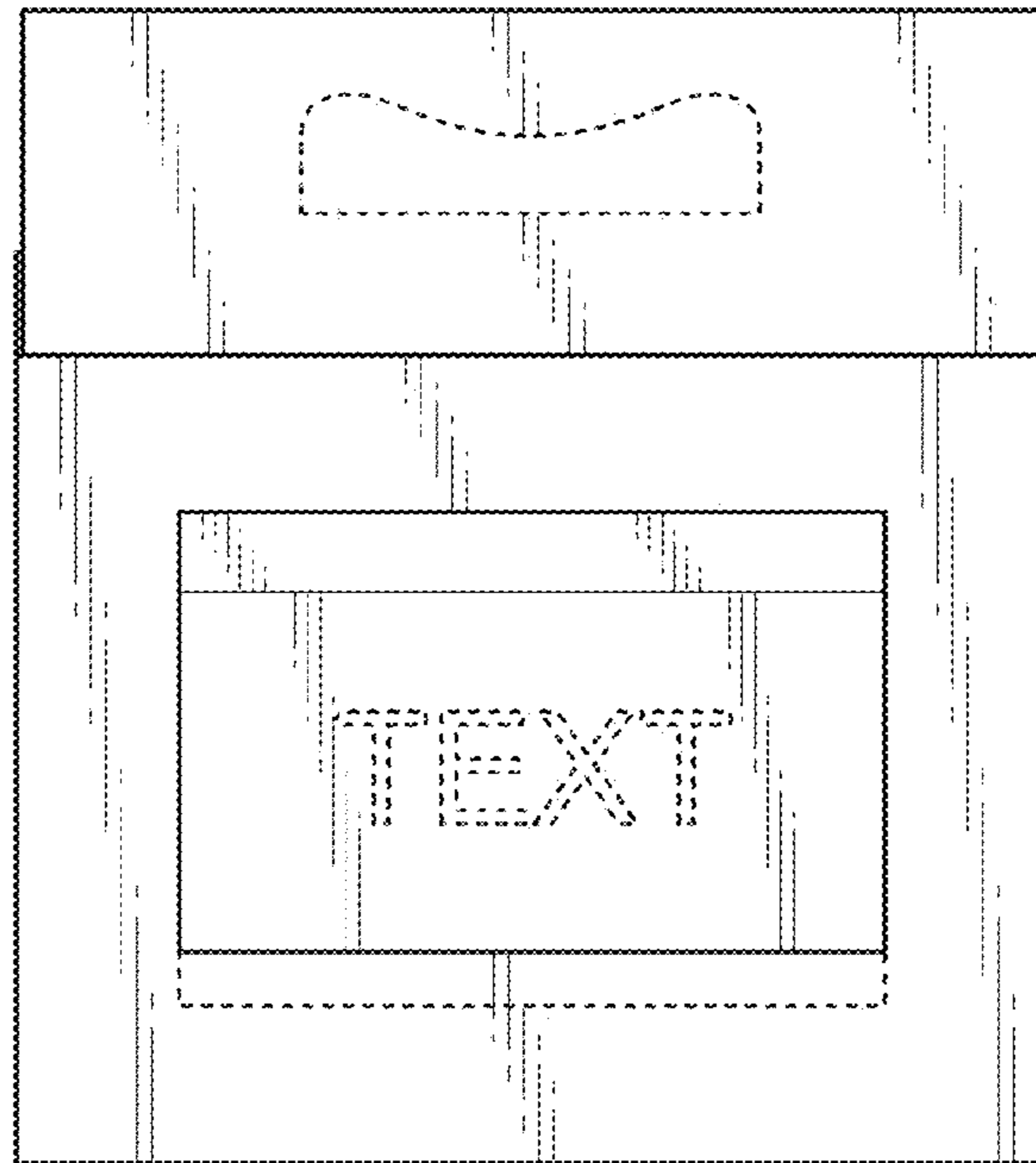


FIG. 3

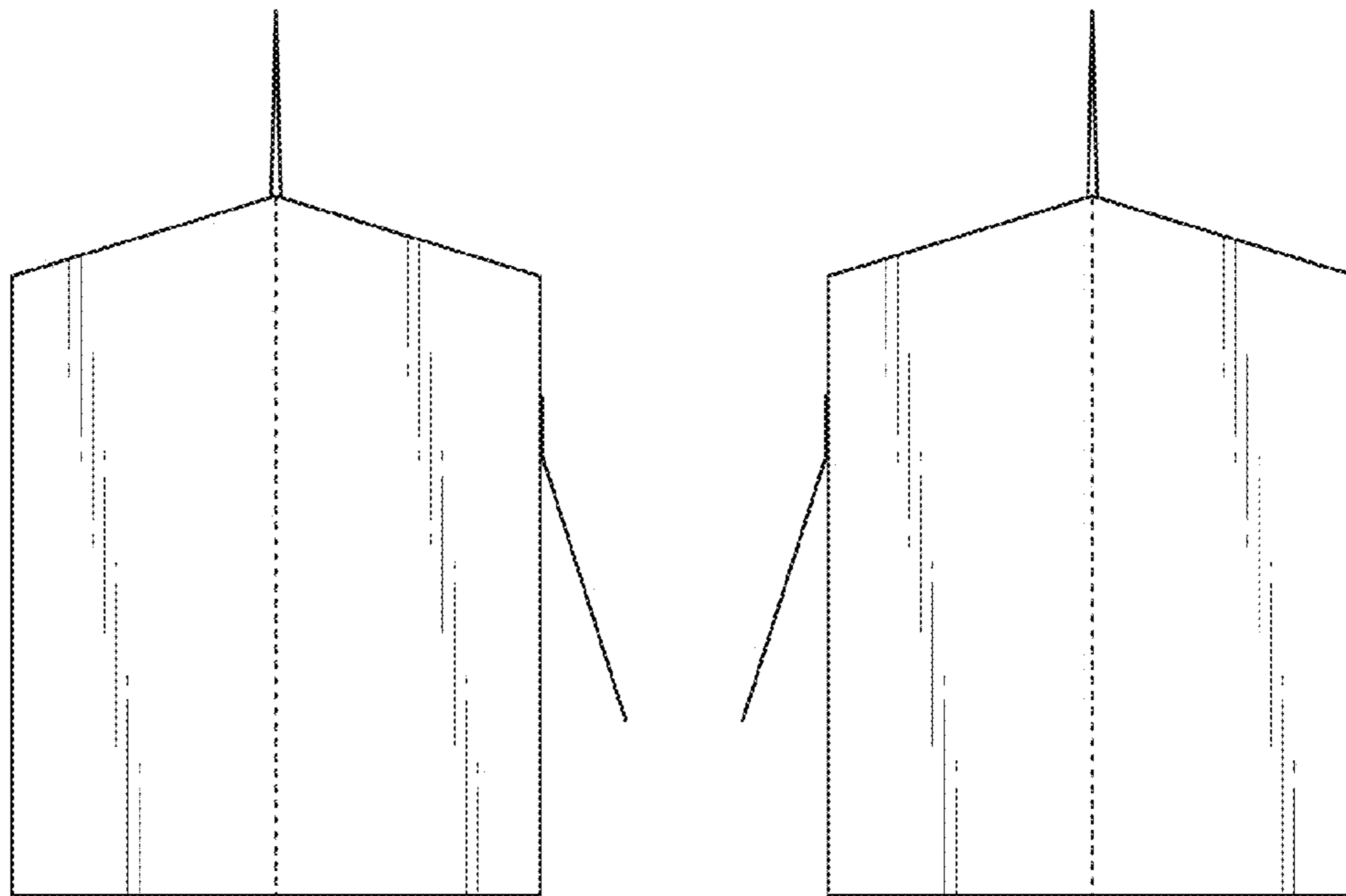


FIG. 4

FIG. 5

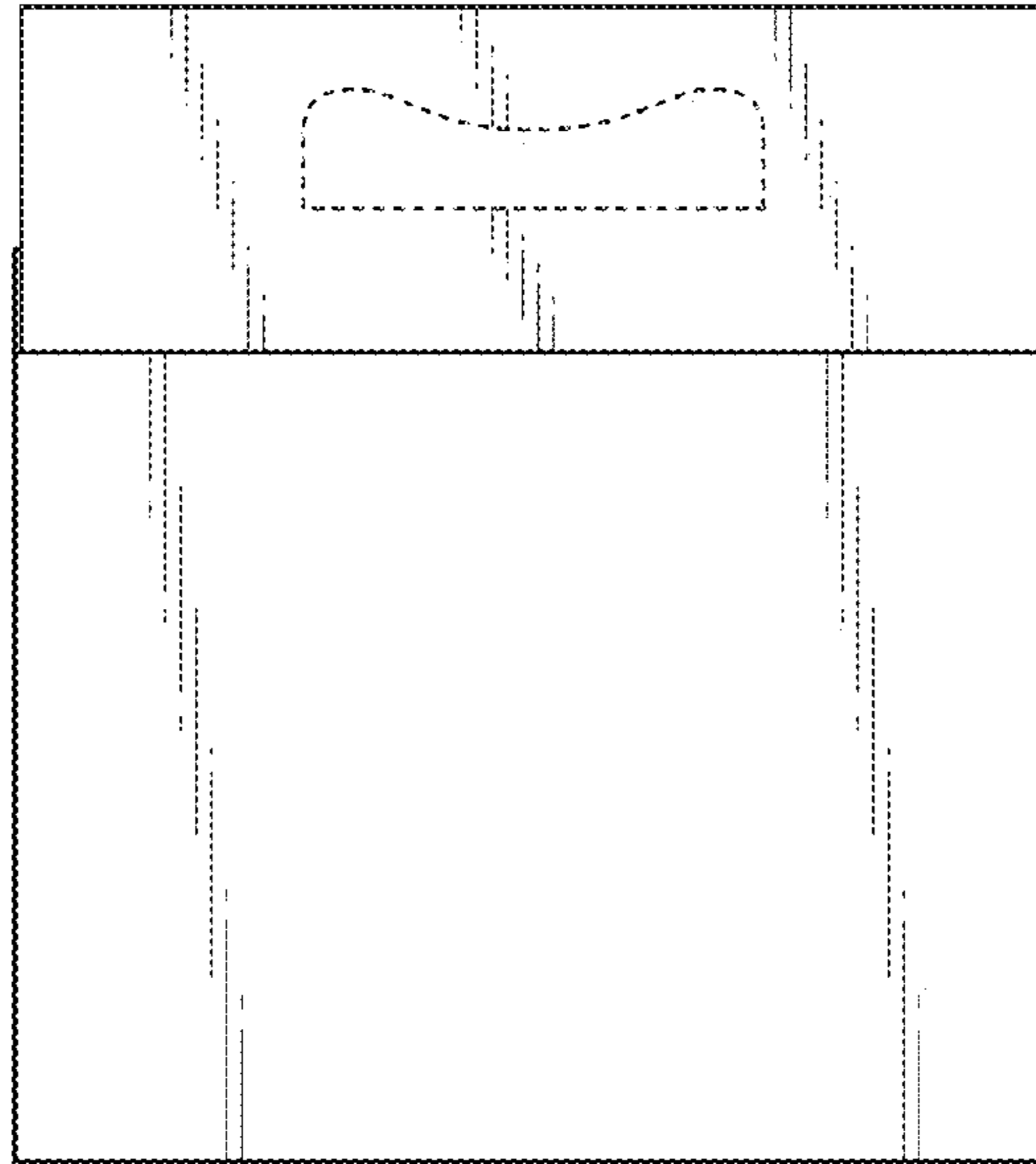


FIG. 6

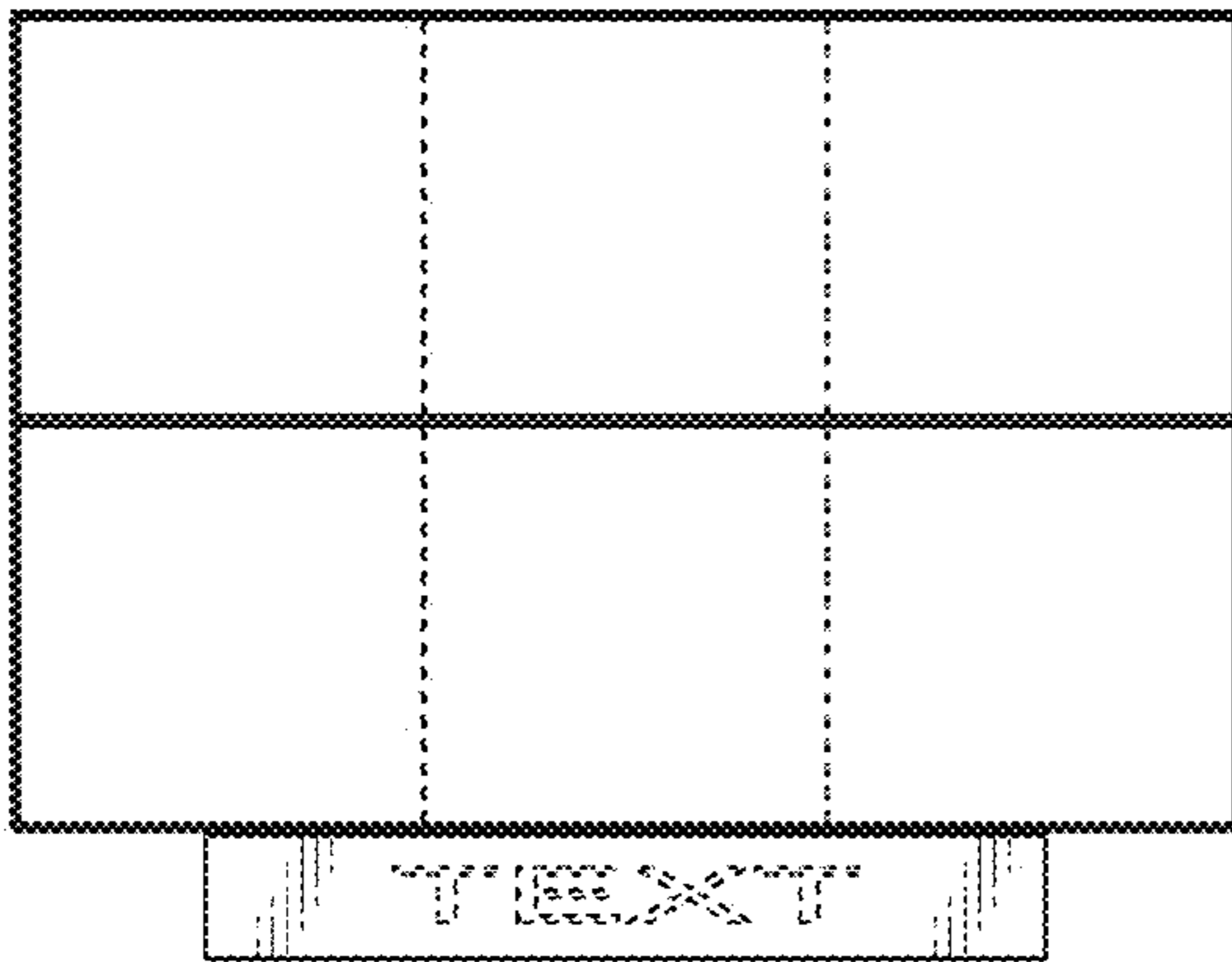


FIG. 7

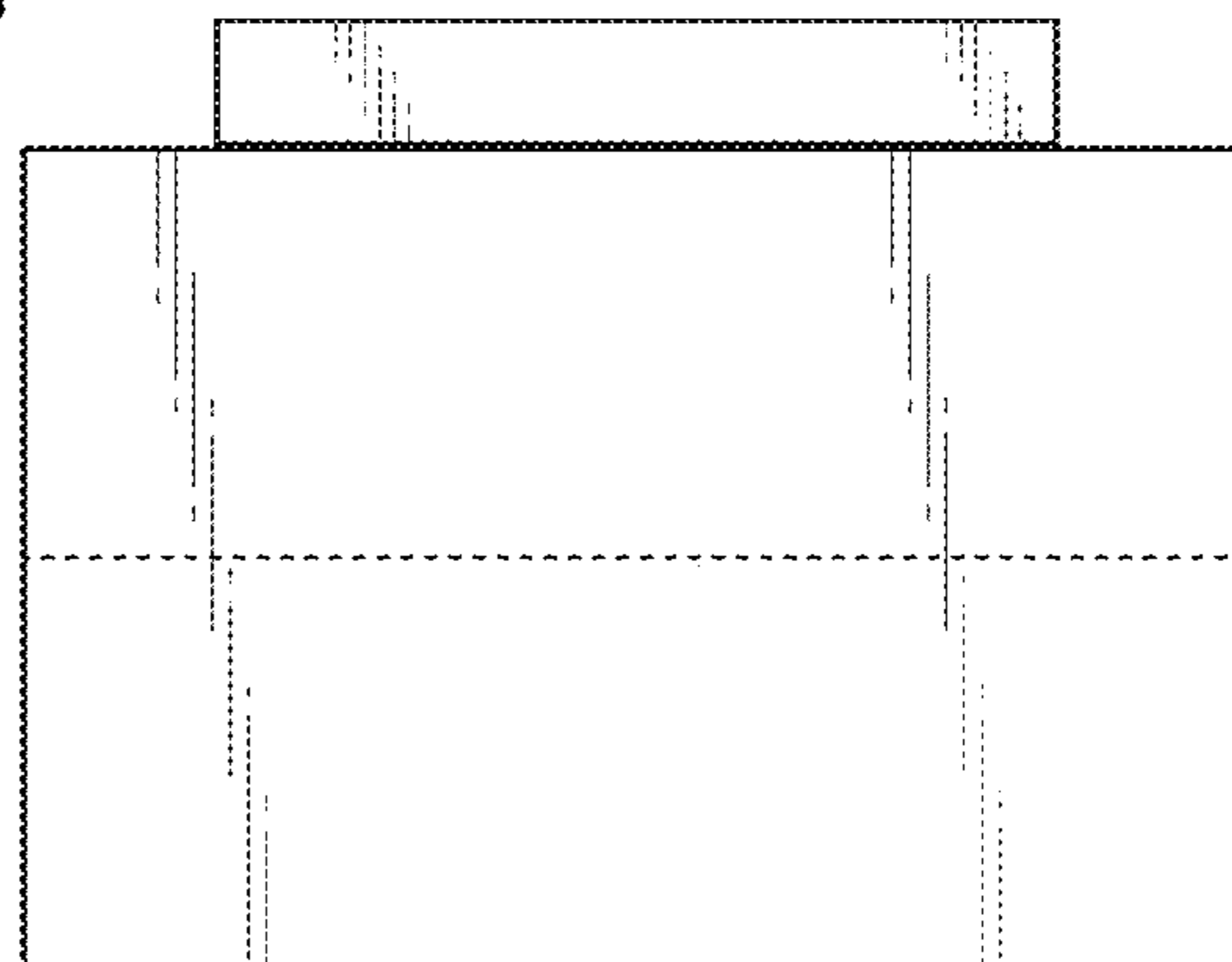


FIG. 8

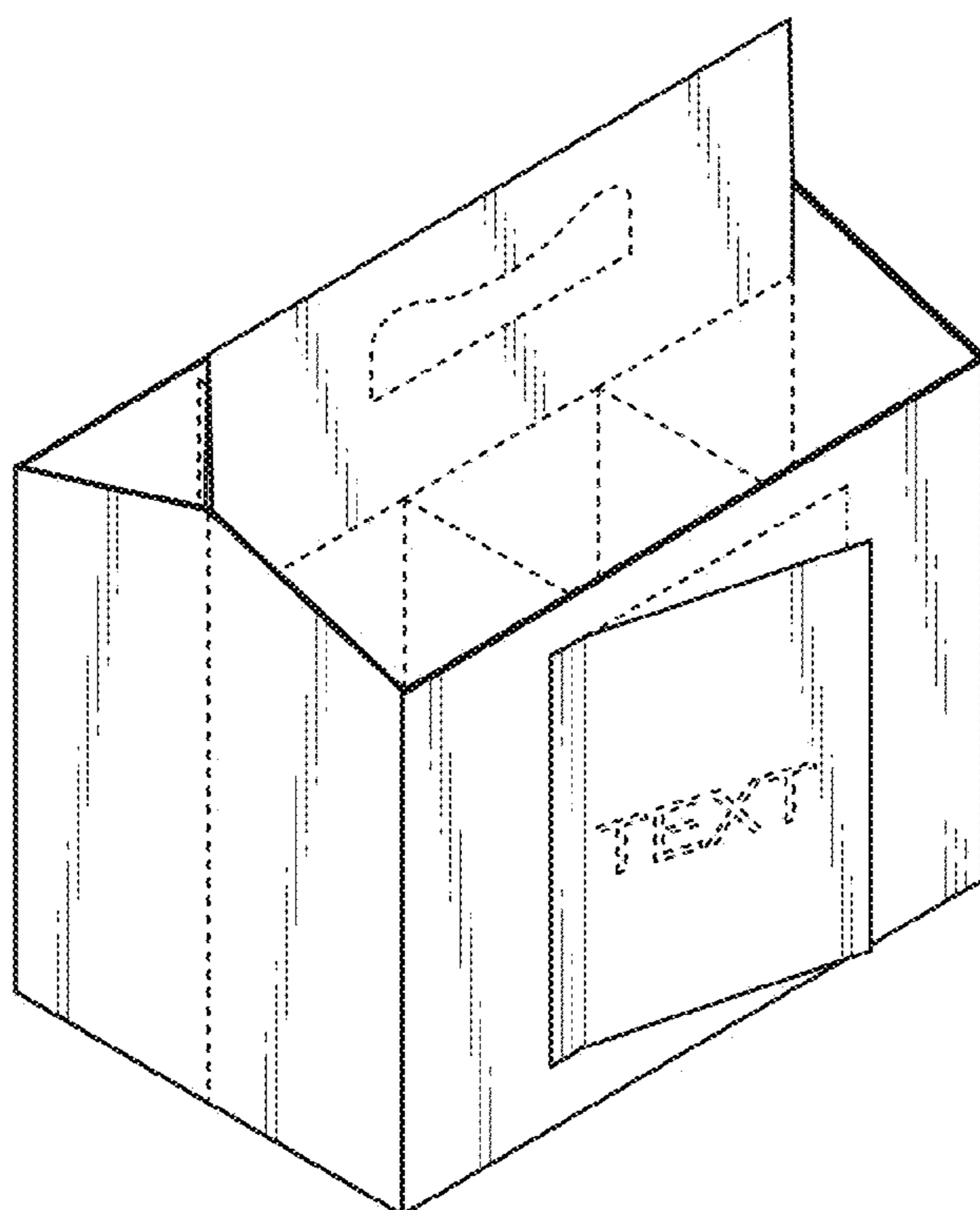


FIG. 9

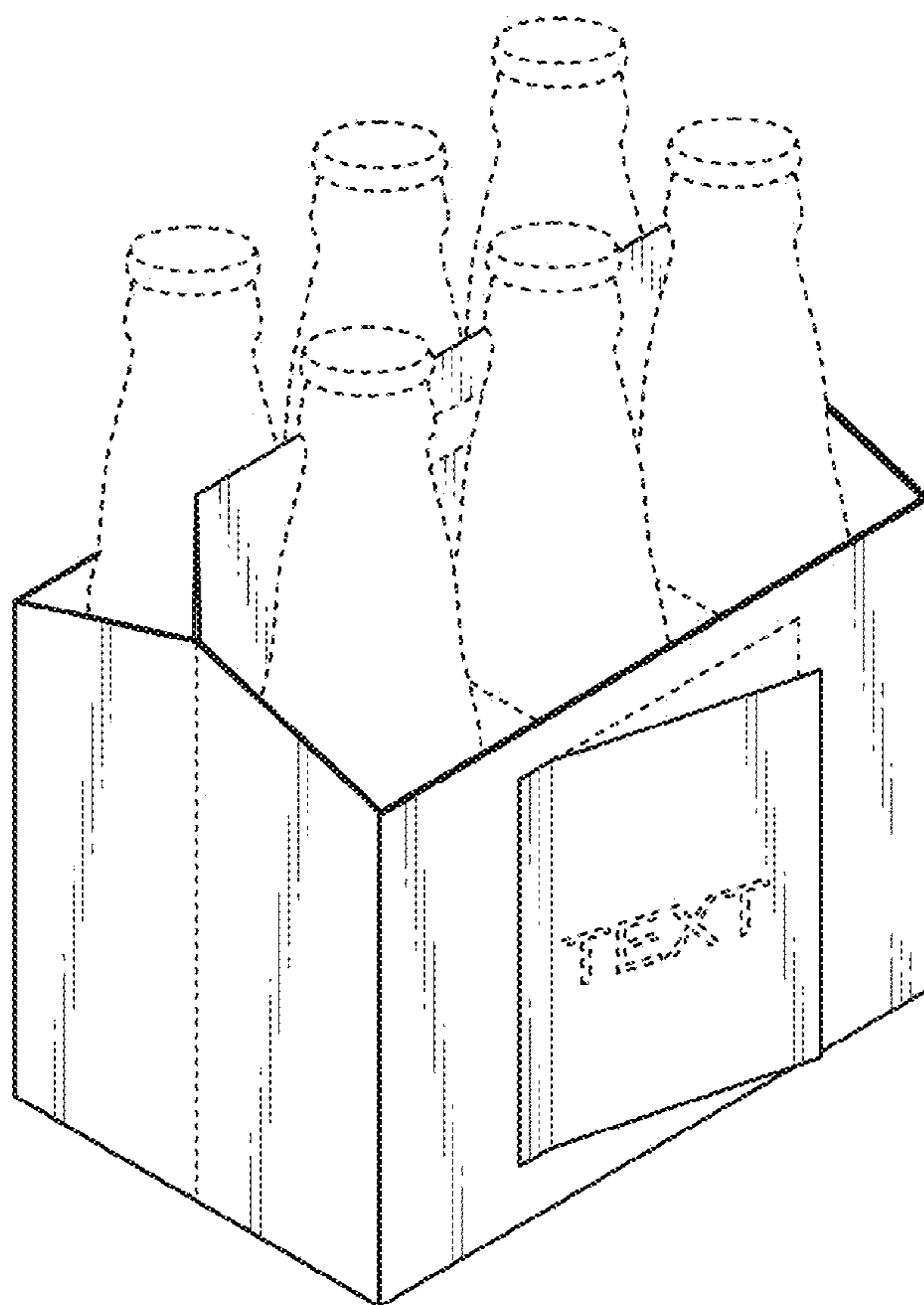


FIG. 10

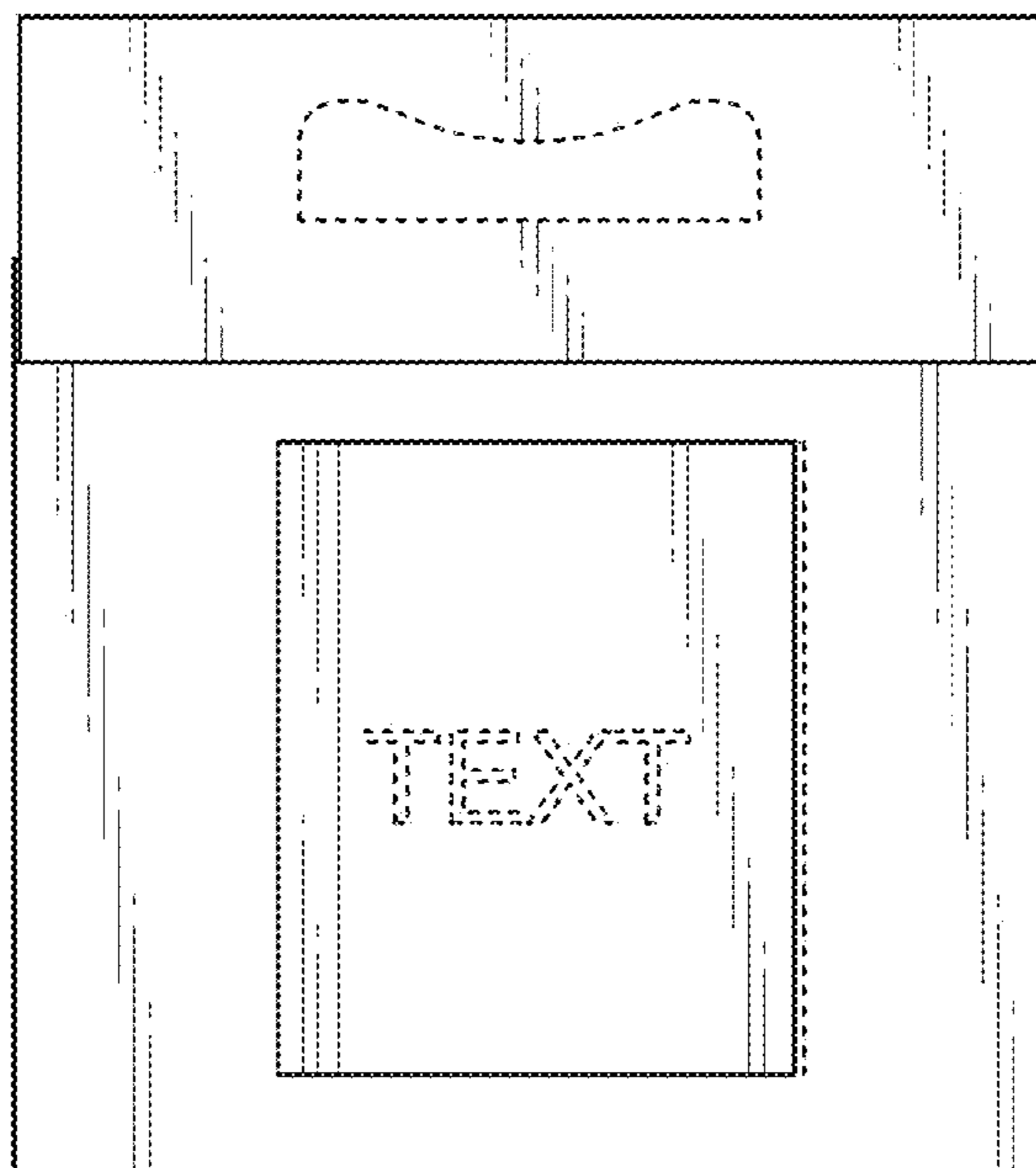


FIG. 11

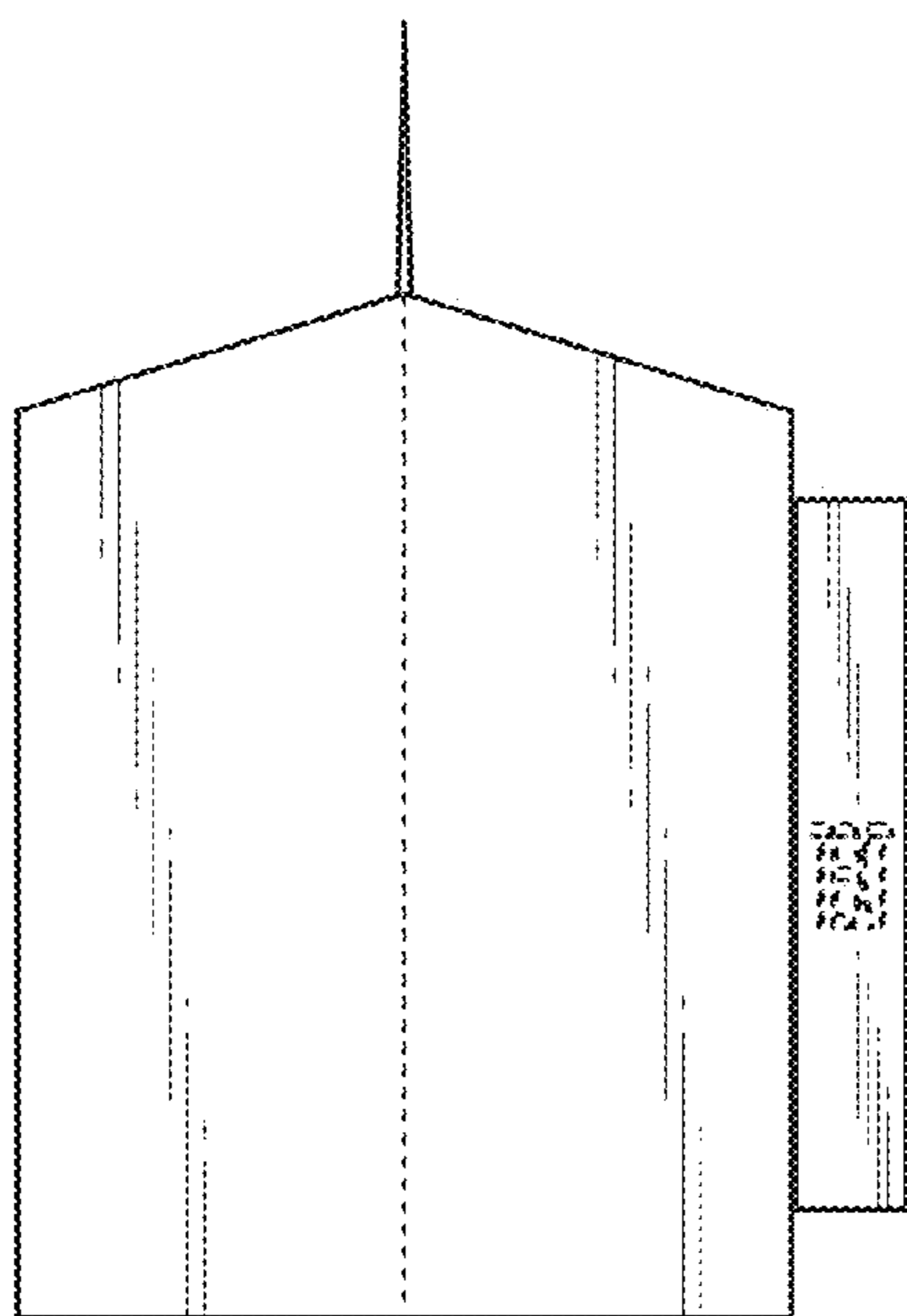


FIG. 12

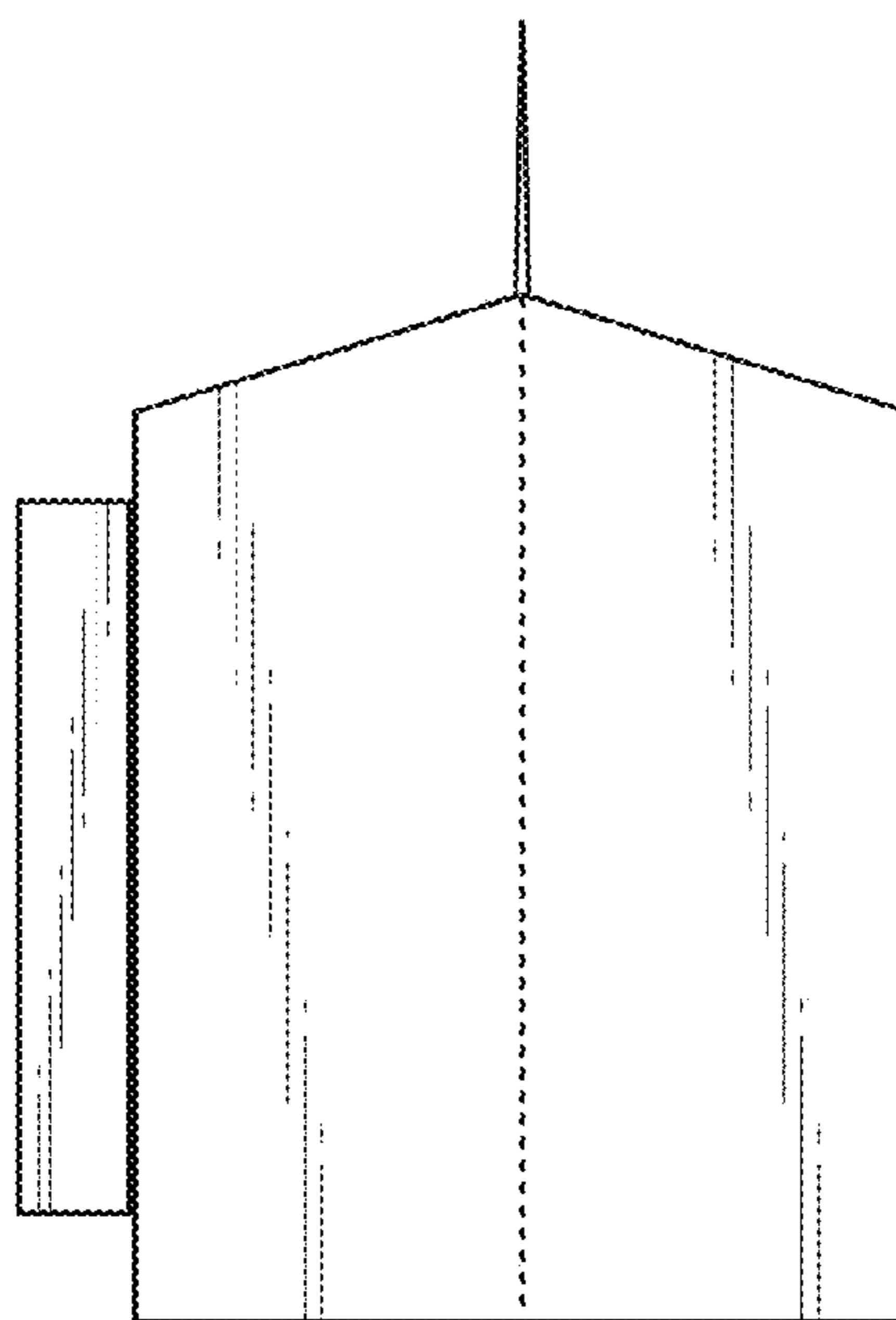


FIG. 13

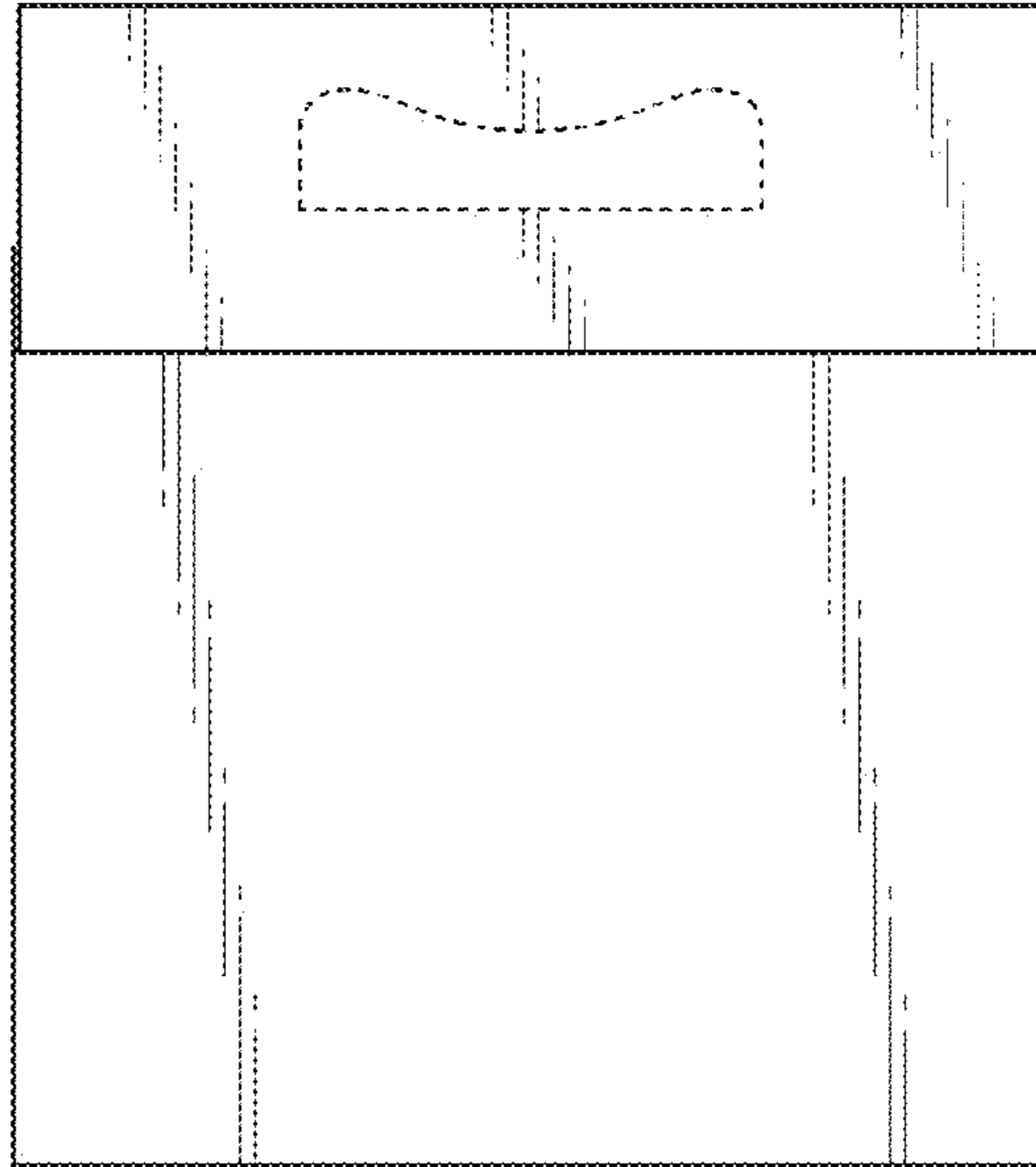


FIG. 14

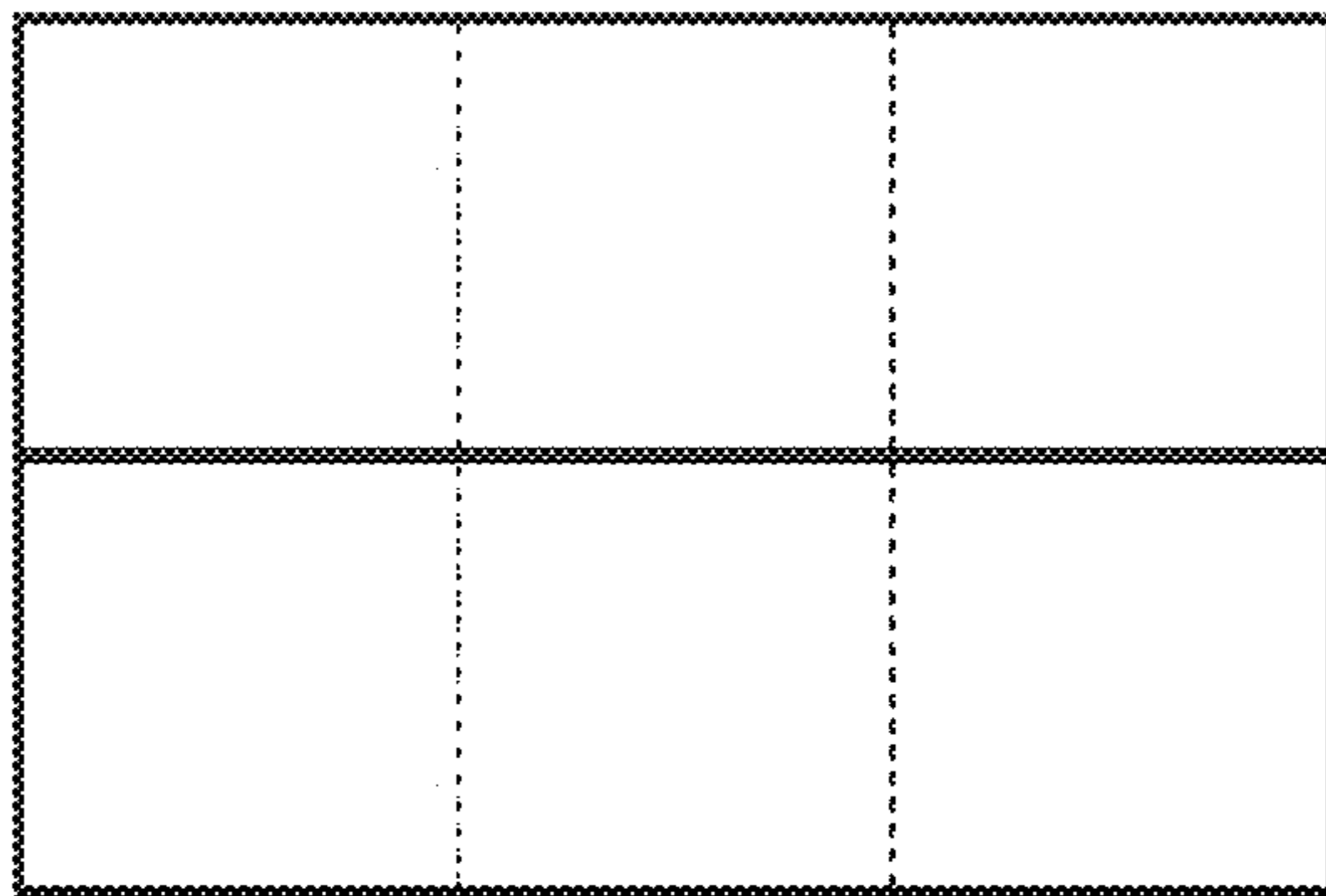


FIG. 15

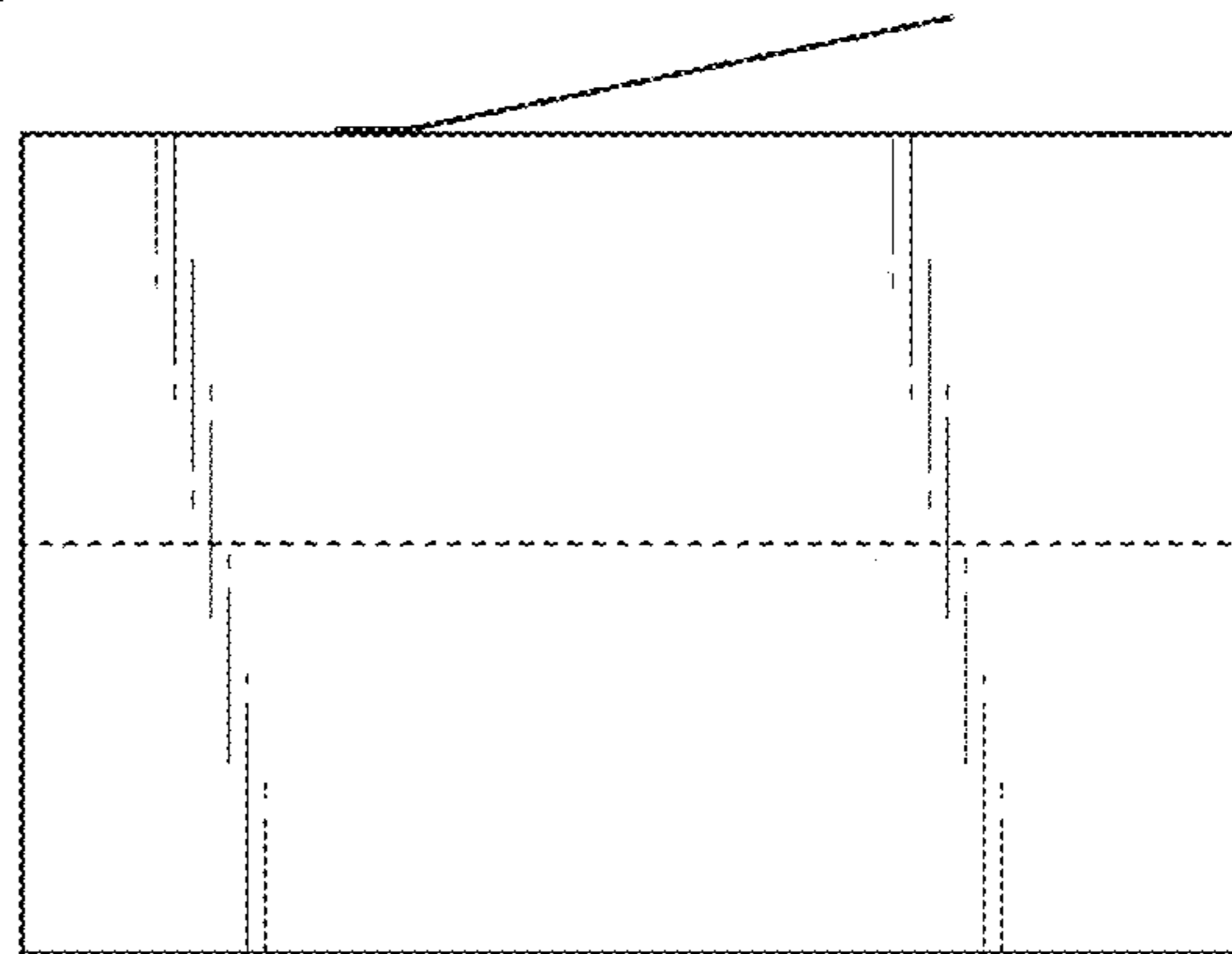


FIG. 16

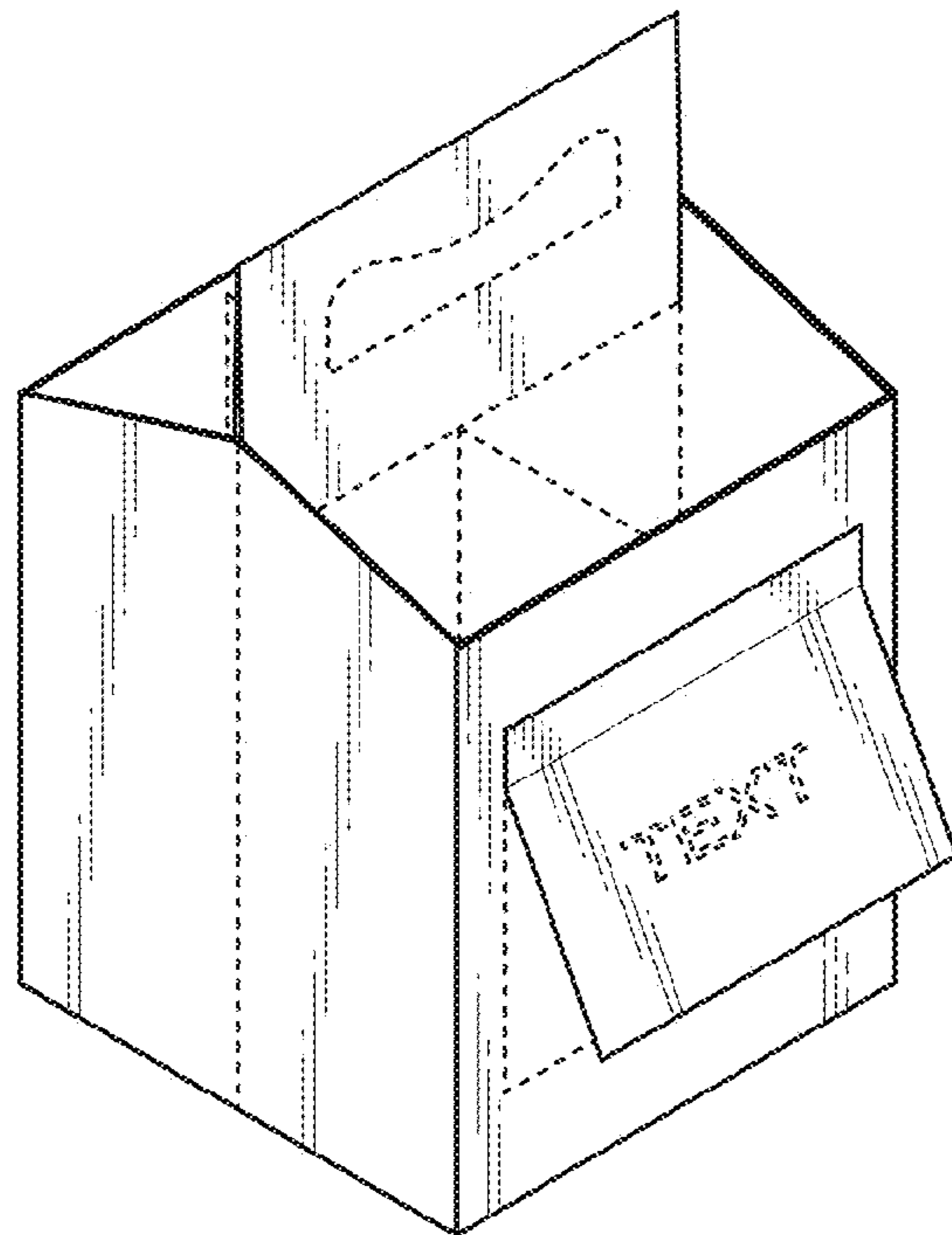


FIG. 17

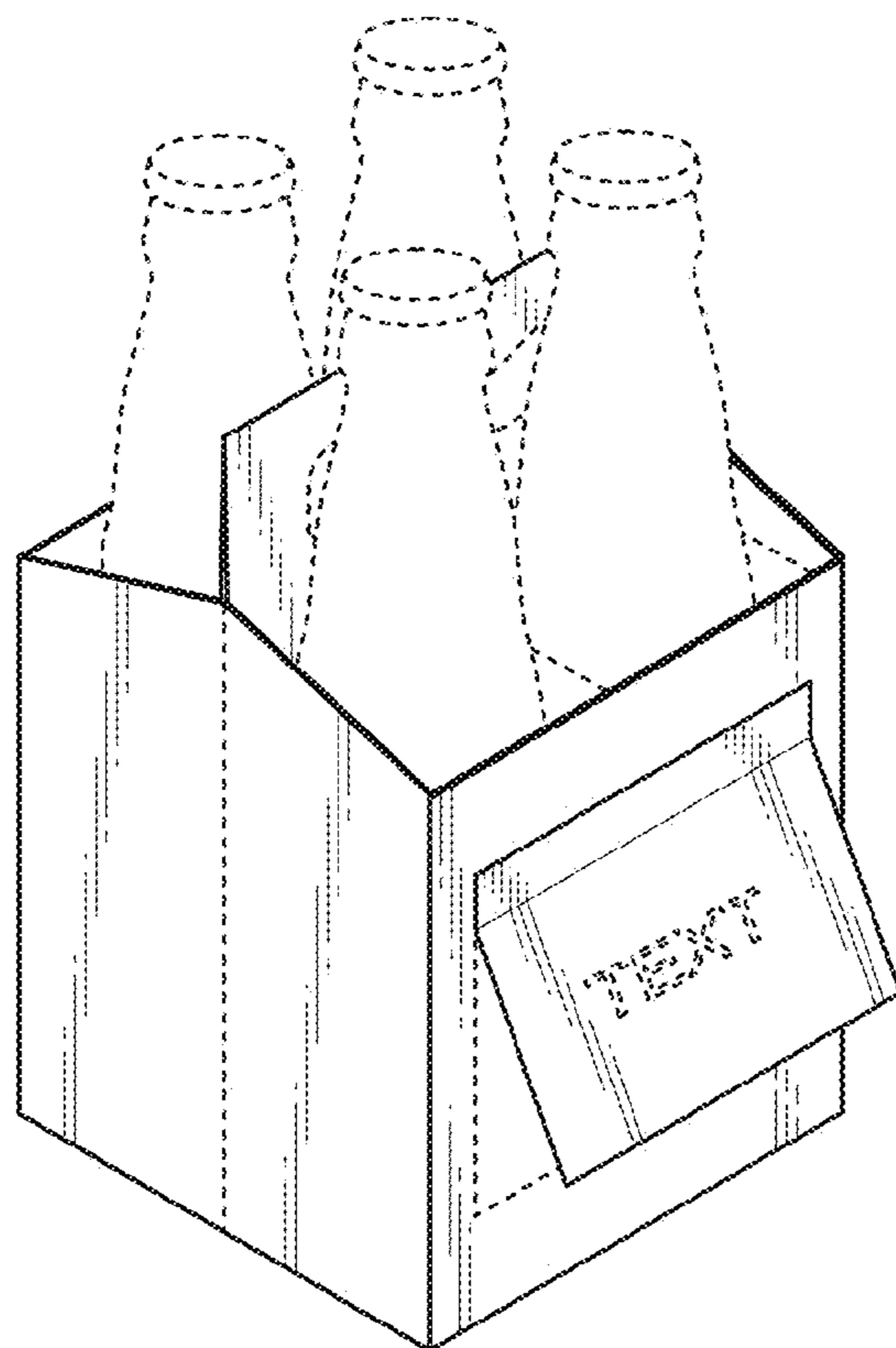


FIG. 18

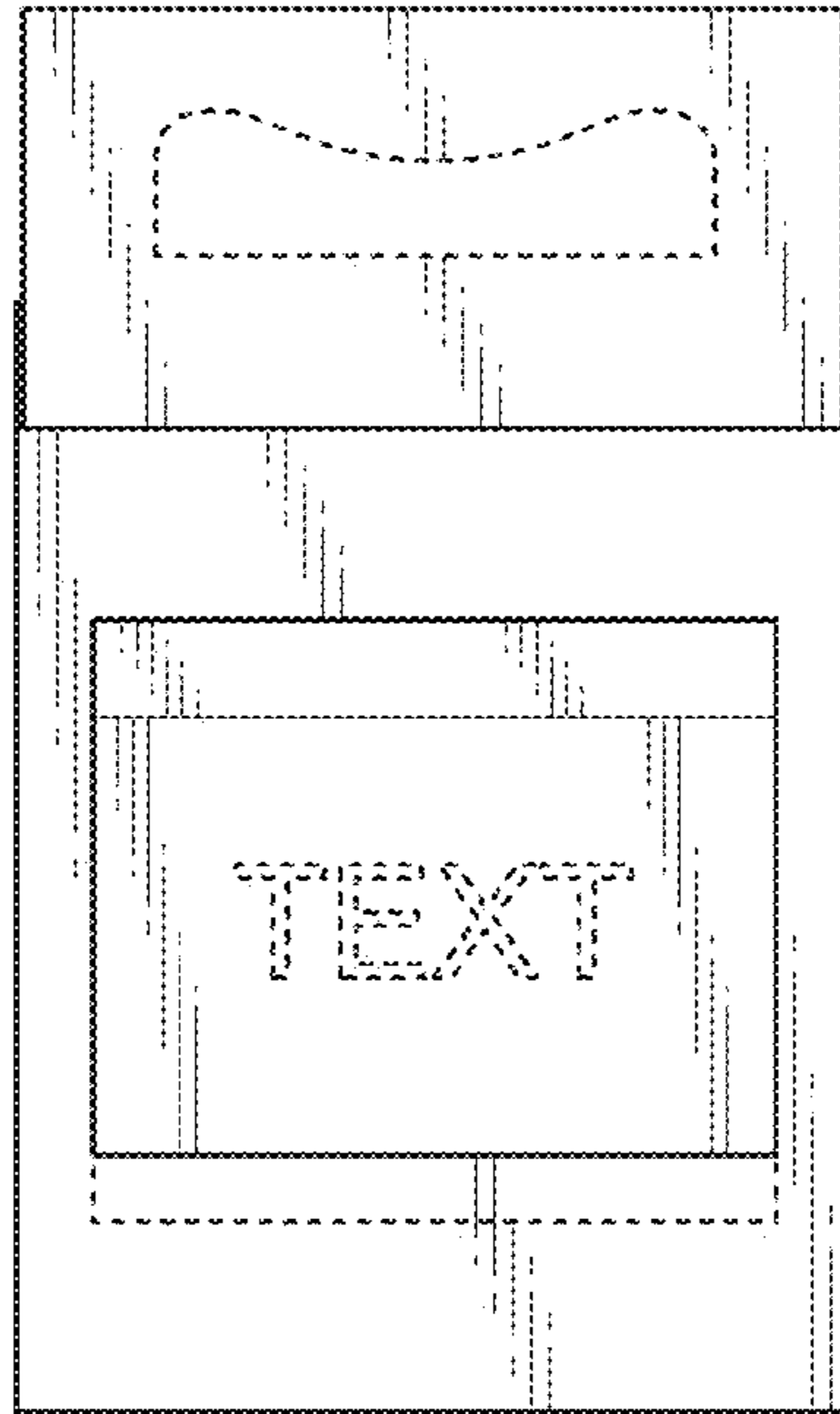


FIG. 19

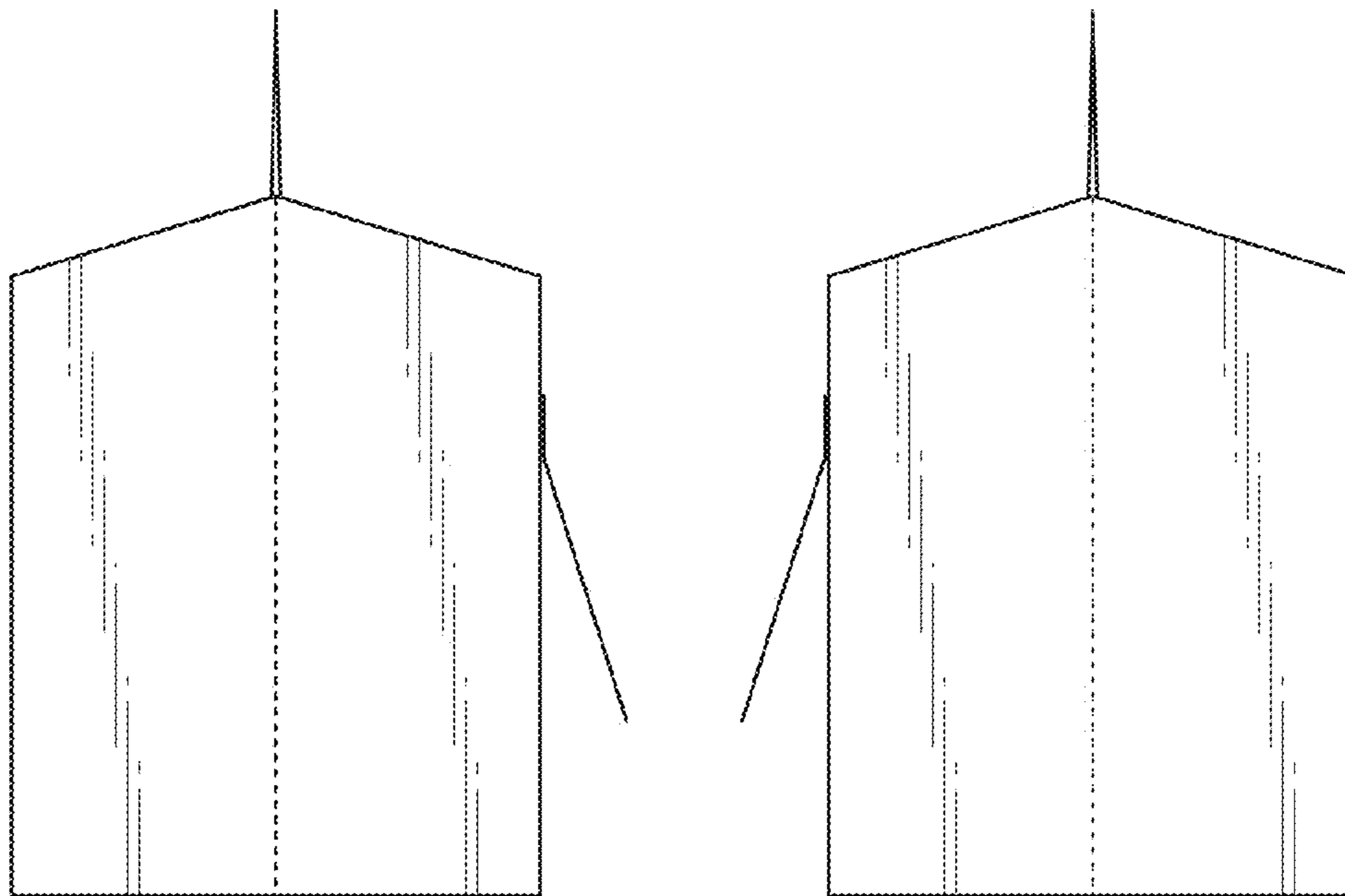


FIG. 20

FIG. 21

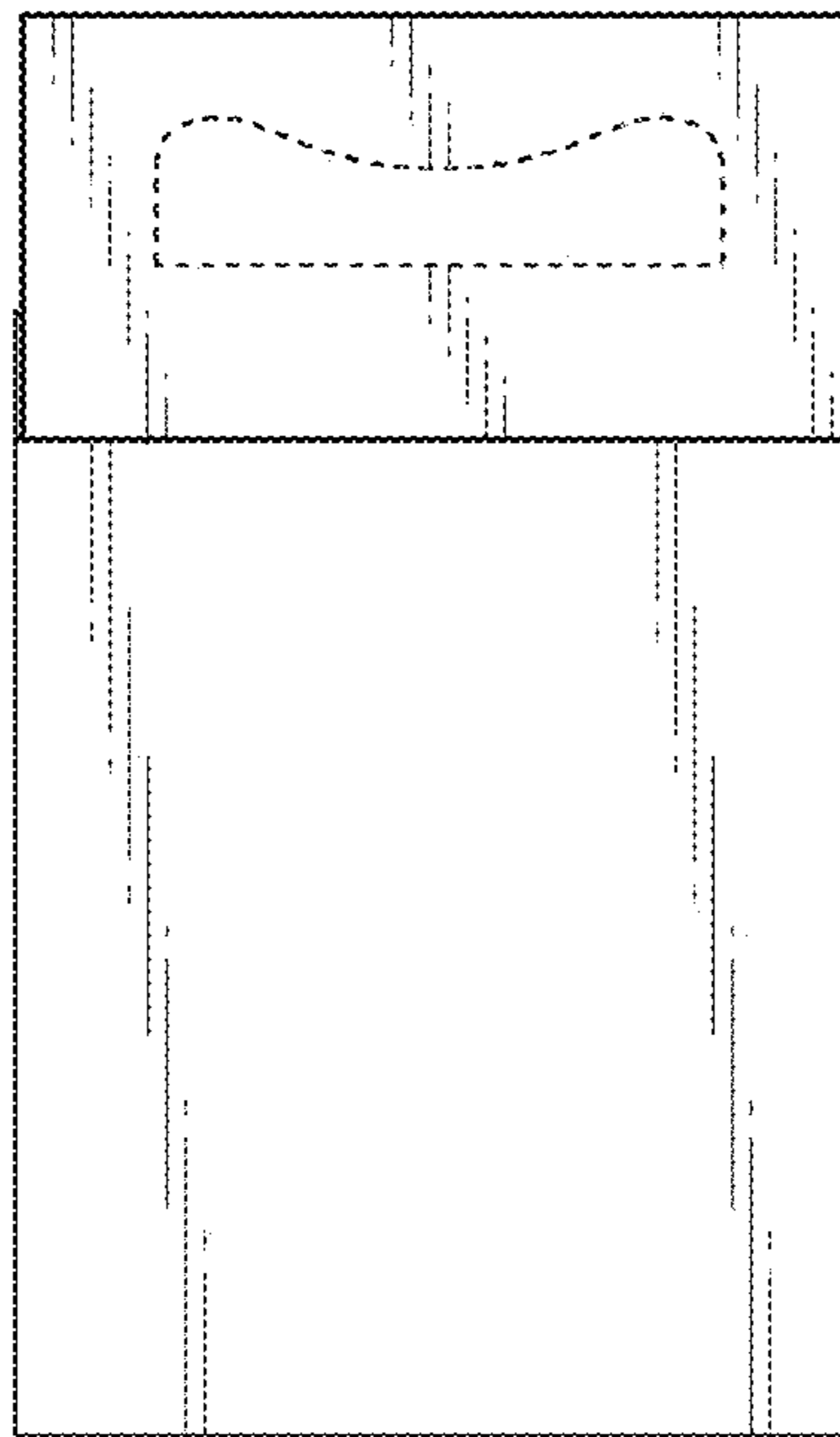


FIG. 22

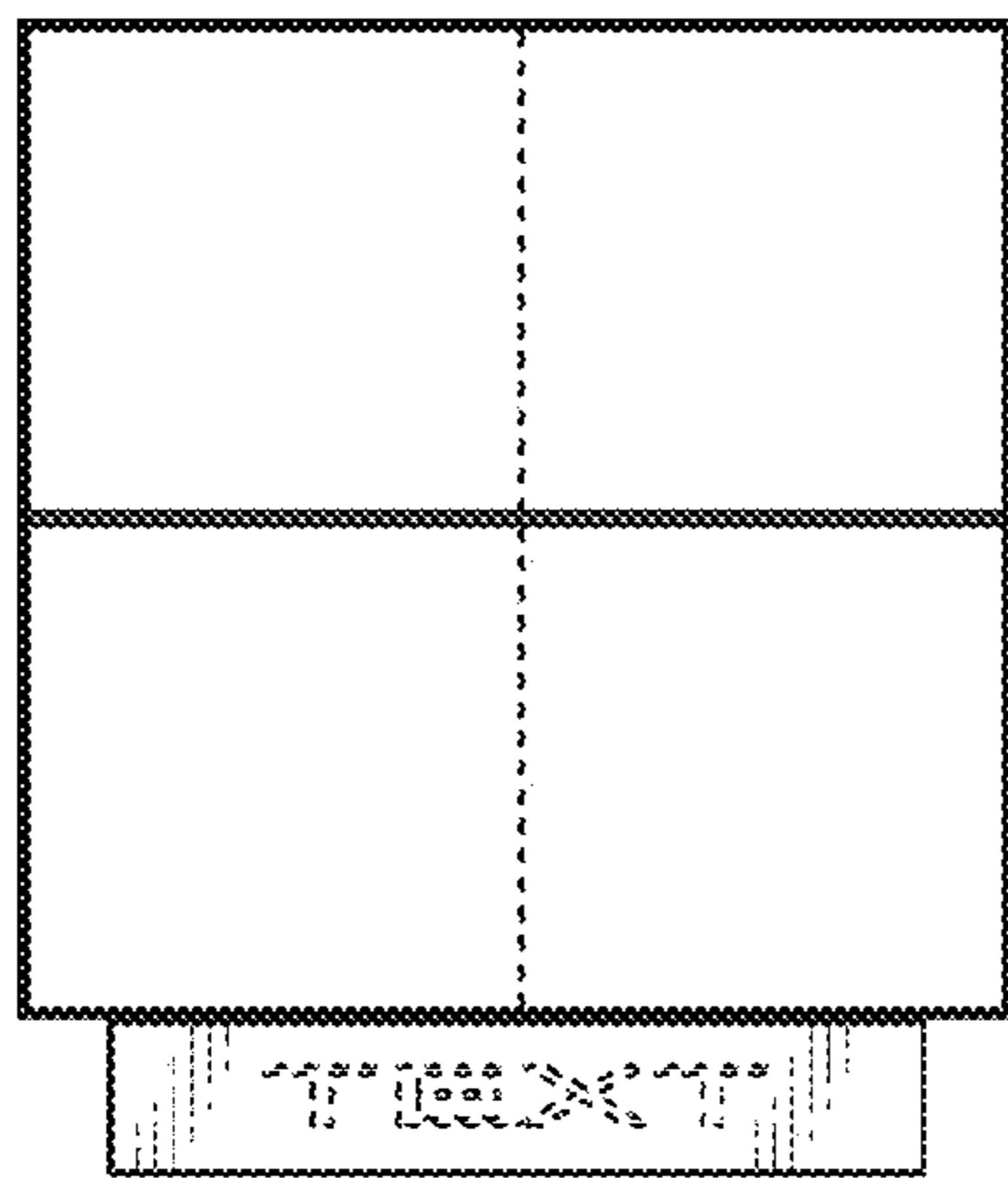


FIG. 23

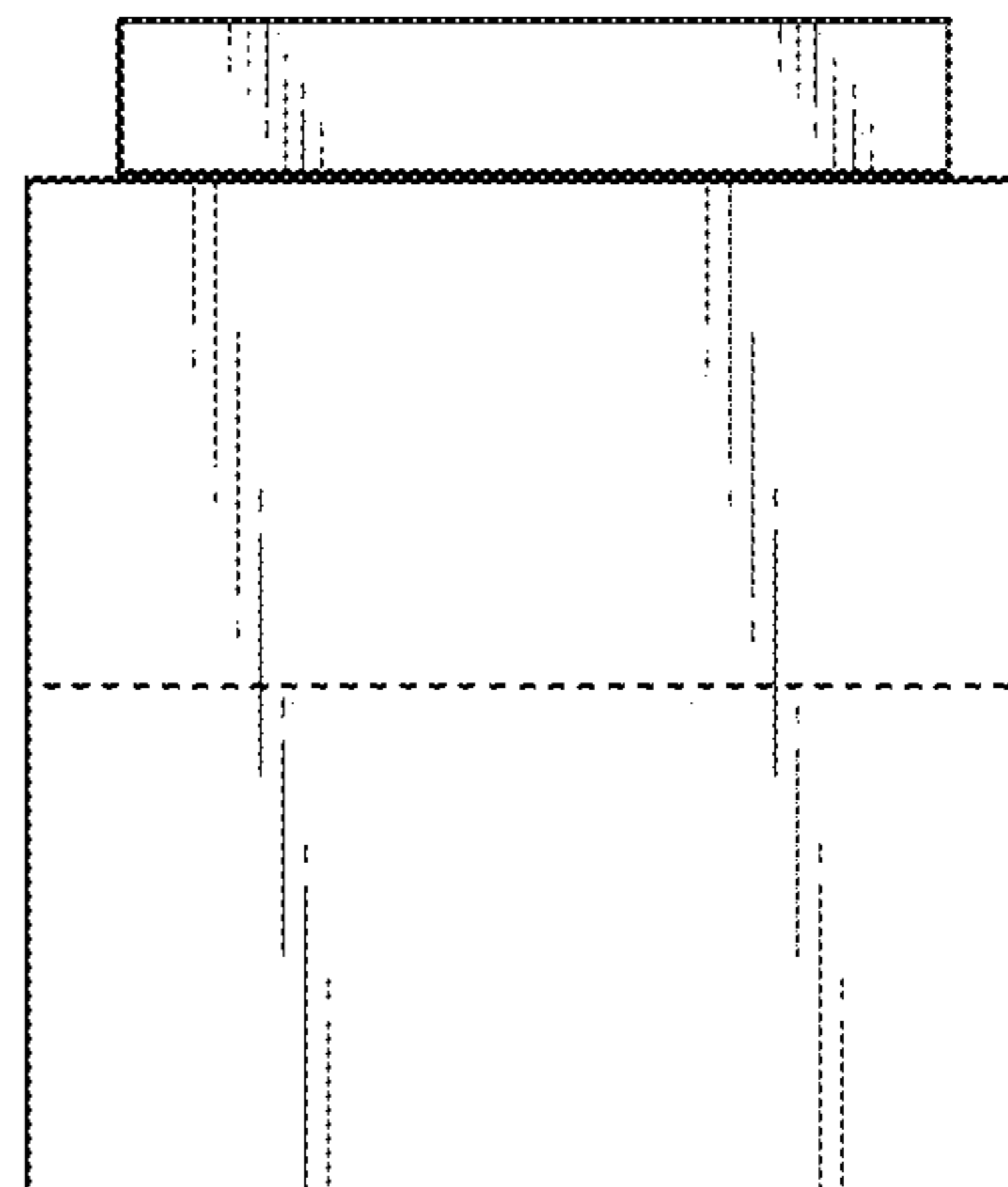


FIG. 24

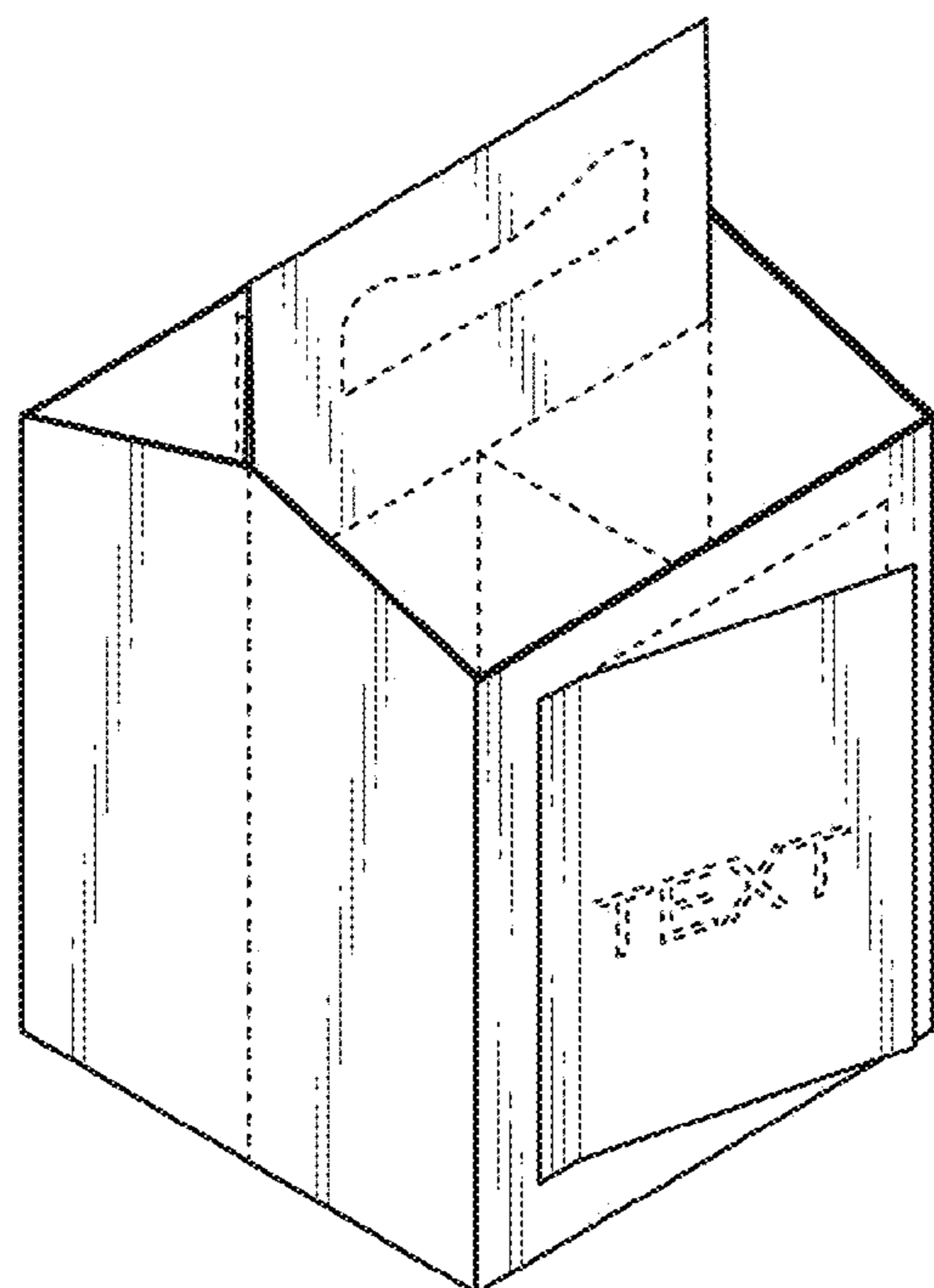


FIG. 25

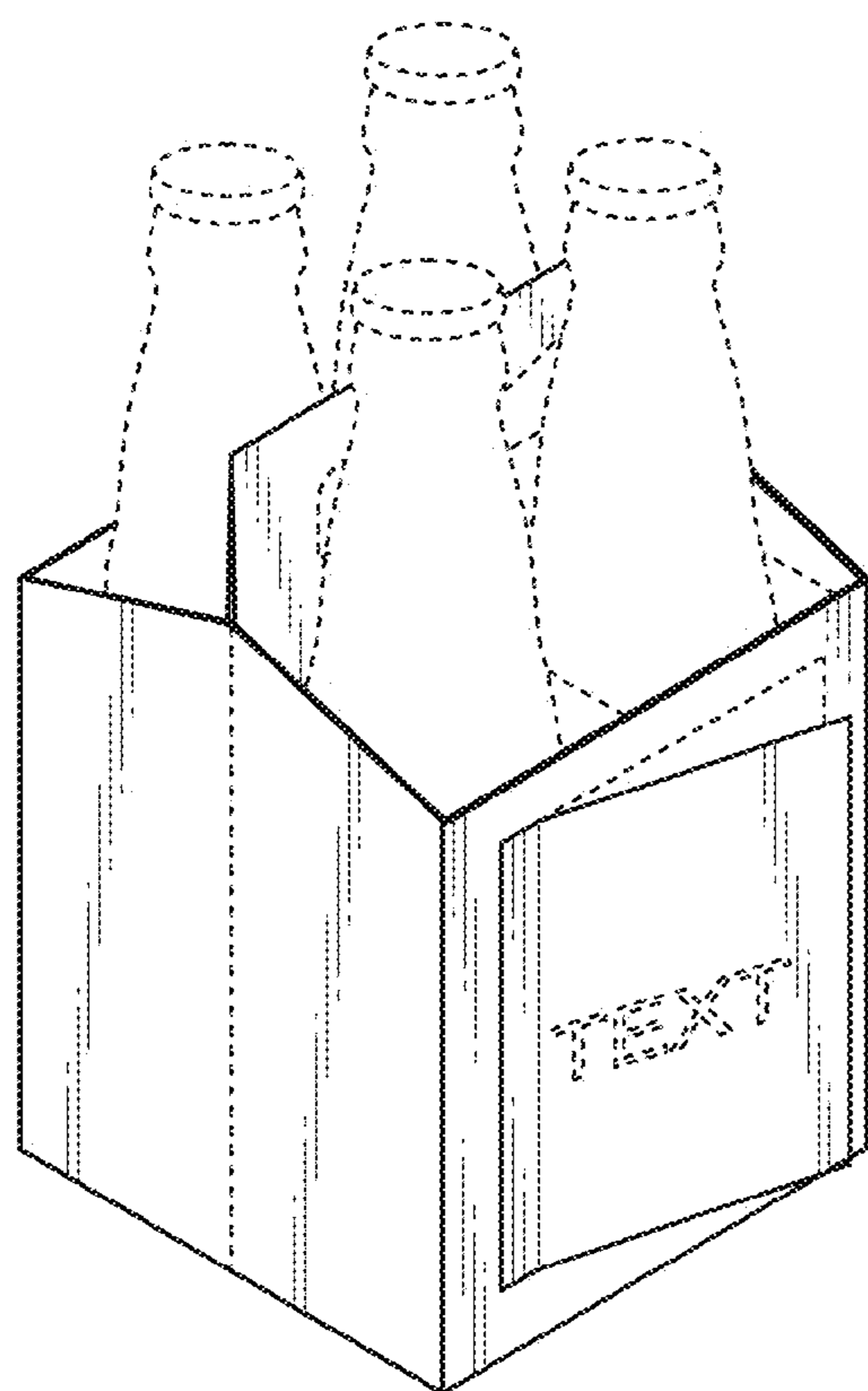


FIG. 26

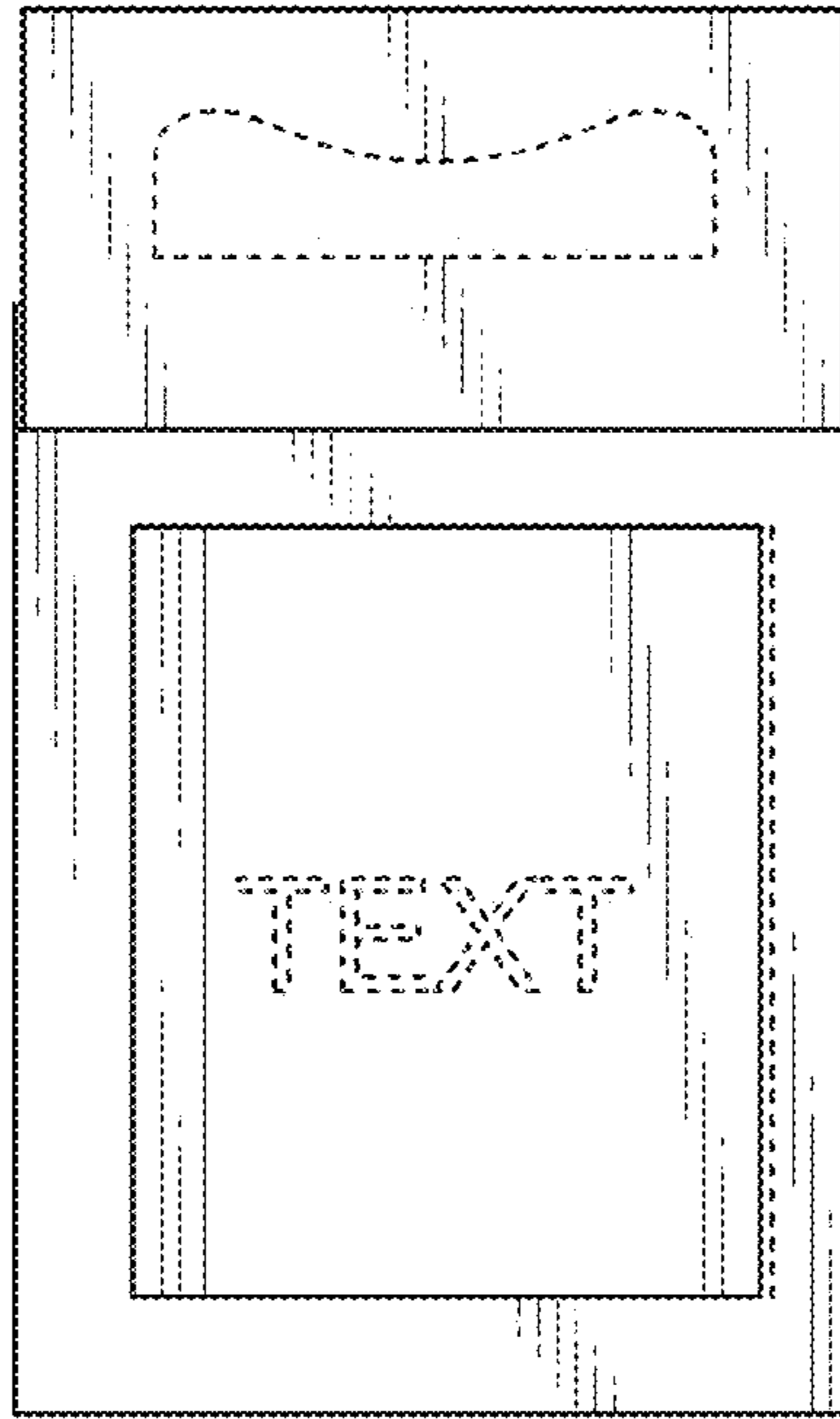


FIG. 27

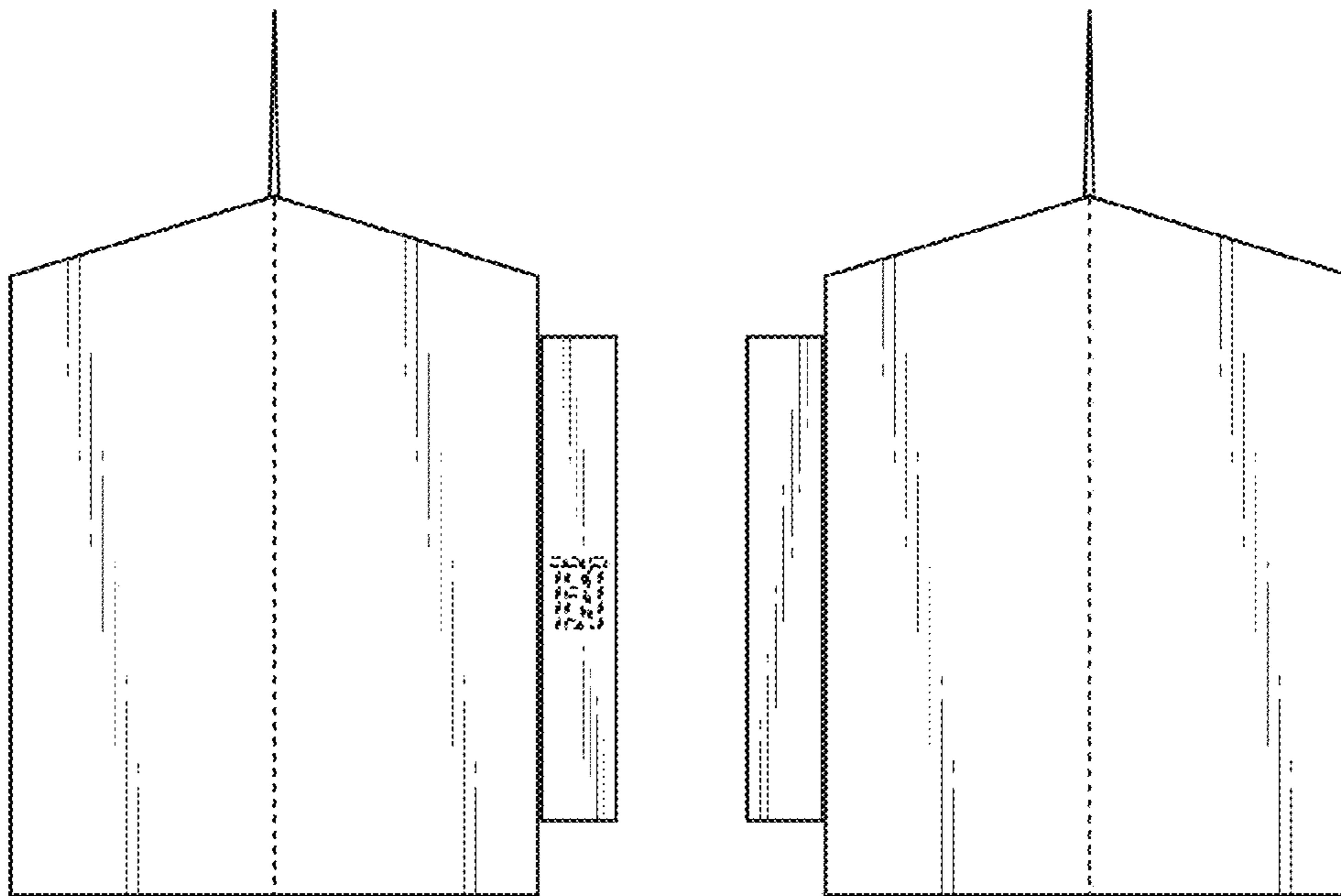


FIG. 28

FIG. 29

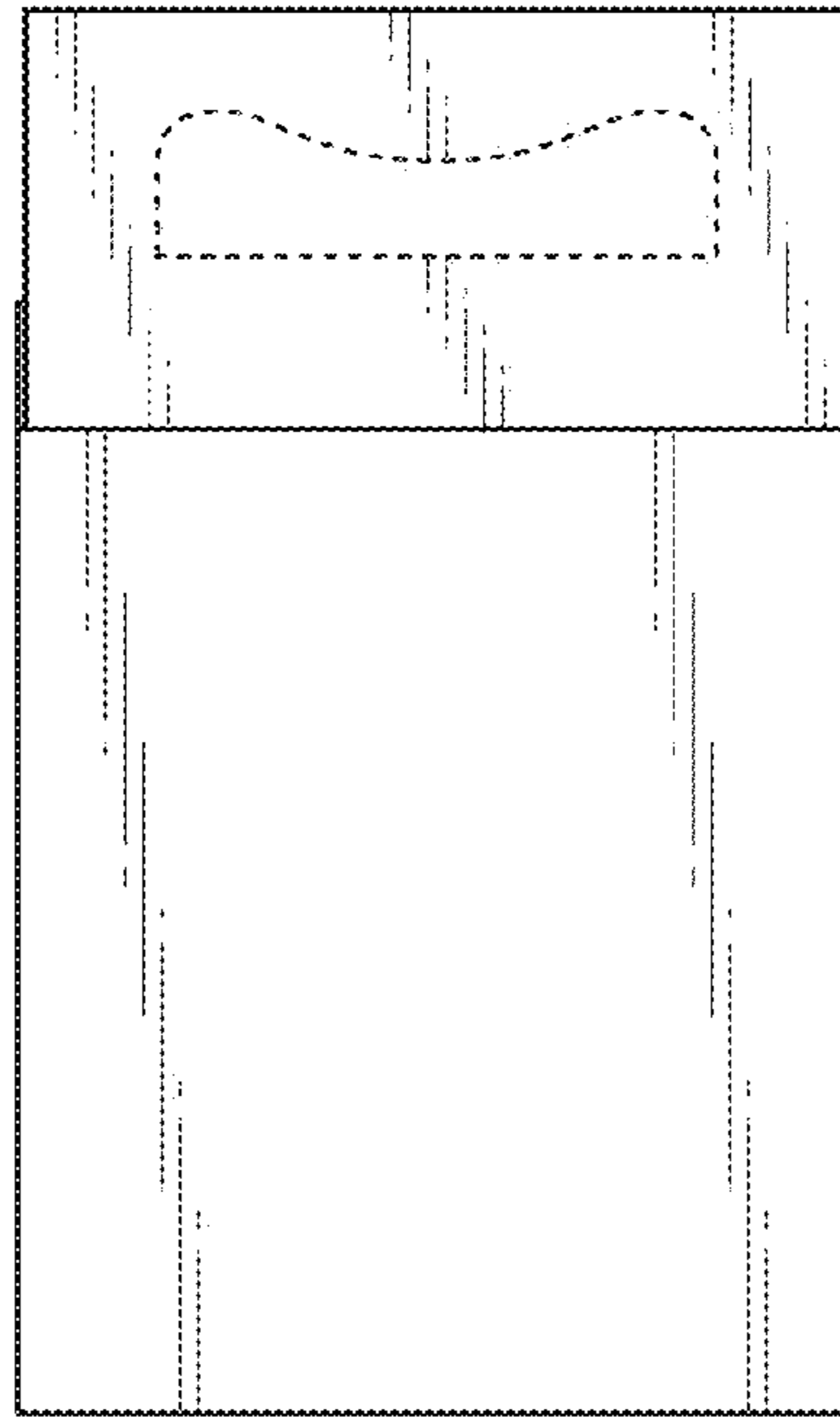


FIG. 30

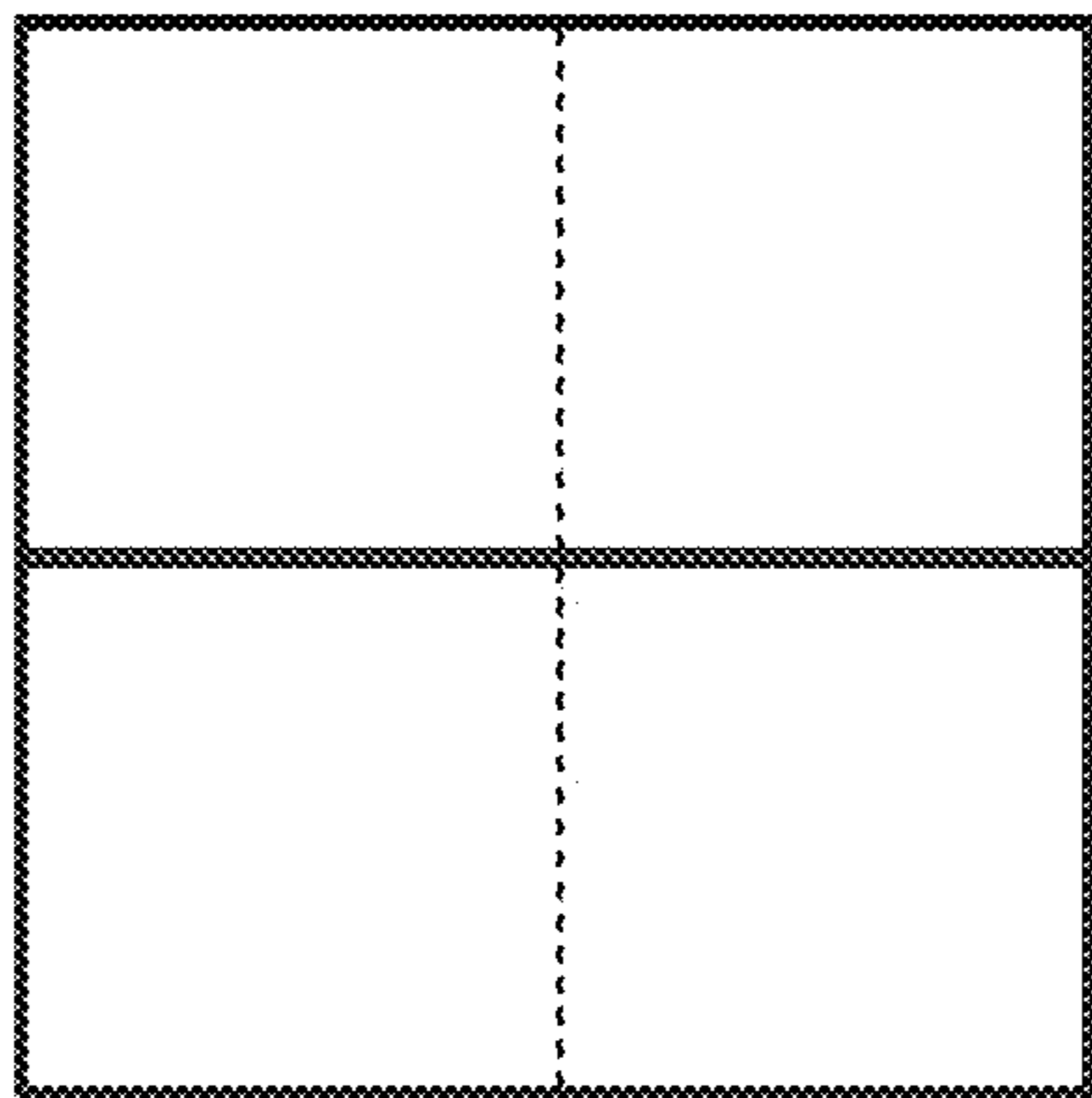


FIG. 31

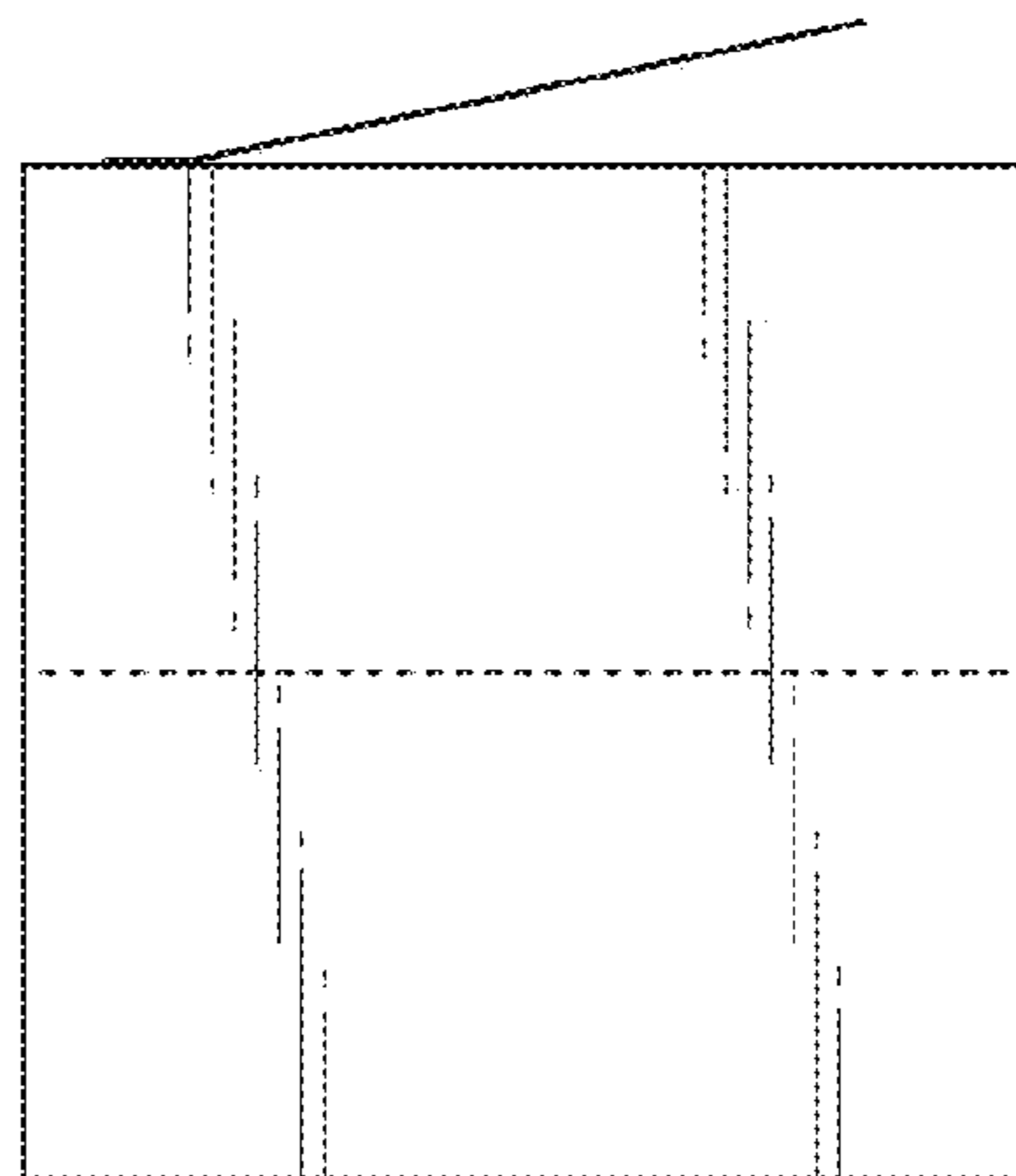


FIG. 32