



US00D758836S

(12) **United States Design Patent**
Symons

(10) **Patent No.:** **US D758,836 S**
(45) **Date of Patent:** **** Jun. 14, 2016**

- (54) **FASTENING DEVICE**
- (71) Applicant: **BLUELOUNGE PTE. LTD.**, Wilkie Edge (SG)
- (72) Inventor: **Dominic Symons**, Wilkie Edge (SG)
- (73) Assignee: **Bluelounge Pte. Ltd.**, Wilkie Edge (SG)
- (**) Term: **15 Years**
- (21) Appl. No.: **29/530,230**
- (22) Filed: **Jun. 15, 2015**

D428,796 S * 8/2000 van Ochten D8/349
 6,131,969 A * 10/2000 Natkins B65D 63/06
 24/136 R
 D433,649 S * 11/2000 Buettell D11/200
 6,199,412 B1 3/2001 Kennedy
 6,381,816 B1 * 5/2002 Lai A43C 7/00
 24/130

(Continued)

FOREIGN PATENT DOCUMENTS

EP 0765281 6/1995
 WO 2013113056 8/2013

OTHER PUBLICATIONS

justduckyprompts-store.com, Oct. 15, 2014, Internet printout: <http://www.justduckyprompts-store.com/>.

(Continued)

Related U.S. Application Data

- (62) Division of application No. 29/506,832, filed on Oct. 21, 2014, now abandoned.
- (51) **LOC (10) Cl.** **08-08**
- (52) **U.S. Cl.**
USPC **D8/383**
- (58) **Field of Classification Search**
USPC D8/349, 382, 354, 383
CPC H01R 13/6392; H01R 13/5816; E06B 9/326;
Y10T 24/3982; Y10T 24/39; Y10T 24/3916;
F16G 11/10; B62J 7/08
See application file for complete search history.

Primary Examiner — Sheryl Lane

(74) *Attorney, Agent, or Firm* — Vested Law LLP

(57) **CLAIM**

The ornamental design for a fastening device, as shown and described.

DESCRIPTION

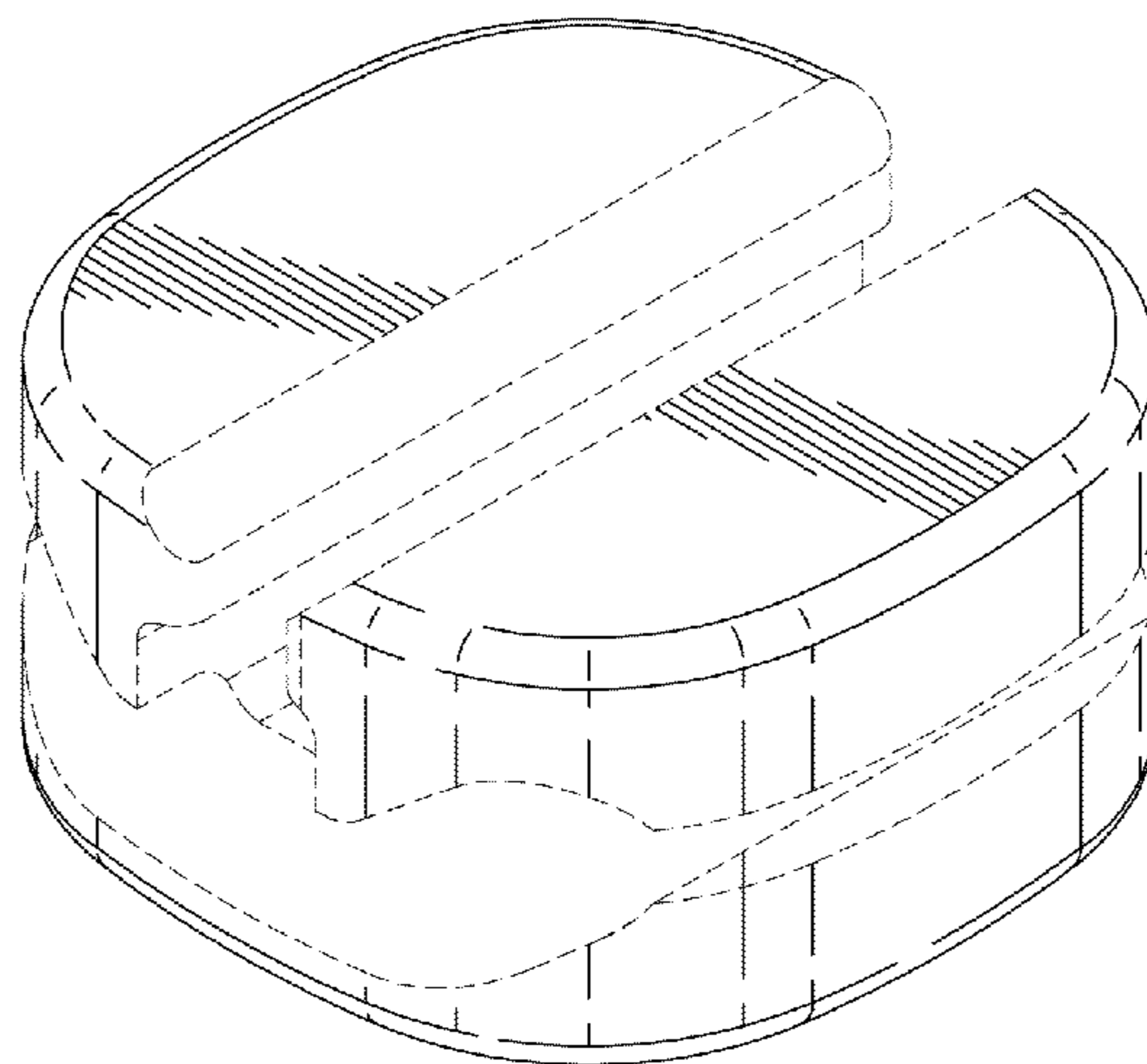
FIG. 1 is a perspective view embodying the inventive design;
 FIG. 2 is another perspective view thereof;
 FIG. 3 is a top plan view thereof;
 FIG. 4 is a rear view thereof;
 FIG. 5 is a side view thereof;
 FIG. 6 is a front view thereof;
 FIG. 7 is a bottom view thereof;
 FIG. 8 is an environmental perspective view thereof;
 FIG. 9 is an alternate environmental perspective view thereof;
 and,
 FIG. 10 is another alternate environmental perspective view thereof.
 The broken lines are directed to environment and form no part of the claimed design.

(56) **References Cited**

U.S. PATENT DOCUMENTS

3,022,557 A 2/1962 Logan
 3,887,965 A 6/1975 Schuplin
 3,965,544 A 6/1976 Boden
 D247,345 S * 2/1978 Mulholland D2/607
 4,156,574 A 5/1979 Boden
 D259,620 S 6/1981 Johnsen
 D297,304 S * 8/1988 Ito D11/200
 D309,251 S 7/1990 Palmer
 D343,570 S * 1/1994 Meier D8/383
 5,283,930 A 2/1994 Krauss
 5,345,656 A 9/1994 Merritt
 5,604,961 A 2/1997 Cole
 D425,783 S * 5/2000 Ishida D8/356

1 Claim, 5 Drawing Sheets



(56)

References Cited

U.S. PATENT DOCUMENTS

6,524,041 B1 2/2003 Voiculescu
 6,662,415 B1 * 12/2003 Lin A43C 7/00
 24/129 R
 6,735,829 B2 * 5/2004 Hsu A43C 3/00
 24/130
 D499,330 S * 12/2004 Peato D13/156
 7,185,399 B2 3/2007 Logan
 D569,349 S * 5/2008 Preston D13/156
 D608,626 S * 1/2010 Camisasca D8/382
 D609,082 S * 2/2010 Camisasca D8/382
 7,654,042 B1 2/2010 Brown
 D649,444 S * 11/2011 Gallagher, Jr. D8/383
 D649,932 S 12/2011 Symons
 8,079,116 B2 12/2011 Ayers
 D709,359 S * 7/2014 Symons D8/396
 D709,755 S * 7/2014 Hollingworth D8/383
 8,966,717 B2 * 3/2015 Chen E06B 9/326
 160/178.1 R
 D727,138 S * 4/2015 Cross D8/382
 2001/0001340 A1 5/2001 Libecco
 2006/0037178 A1 2/2006 Sulhoff
 2006/0177282 A1 8/2006 Blosser
 2007/0071568 A1 3/2007 Dorstewitz
 2007/0251279 A1 11/2007 Hollier

2008/0115334 A1 * 5/2008 Chen A43C 1/00
 24/115 G
 2009/0094798 A1 * 4/2009 Yao A43C 1/00
 24/115 G
 2012/0042498 A1 * 2/2012 Chu F16G 11/04
 29/453
 2012/0137475 A1 * 6/2012 Seader F16G 11/10
 24/129 R
 2013/0185900 A1 7/2013 Campbell
 2014/0123439 A1 * 5/2014 Bacon F16G 11/106
 24/134 KB
 2014/0182084 A1 7/2014 Hill

OTHER PUBLICATIONS

bungeeco.com, Oct. 17, 2014, Internet printout: <http://bungeeco.com/>.
 rapstrap.com, Oct. 17, 2014, Internet printout: <http://www.rapstrap.com/product>.
 lowes.com, Oct. 15, 2014, Internet printout: <http://www.lowes.com/Search=bungee+cords?storeId=10151&langId=-1&catalogId=10051&N=0&newSearch=true&Ntt=bungee+cords#!>.
 lowes.com, Oct. 15, 2014, Internet printout: http://www.lowes.com/Hardware/Chains-Ropes-Tie-Downs/Tie-Downs/_/N-1z11olp/pl#!&Va=false&page=1&rpp=48 Page.

* cited by examiner

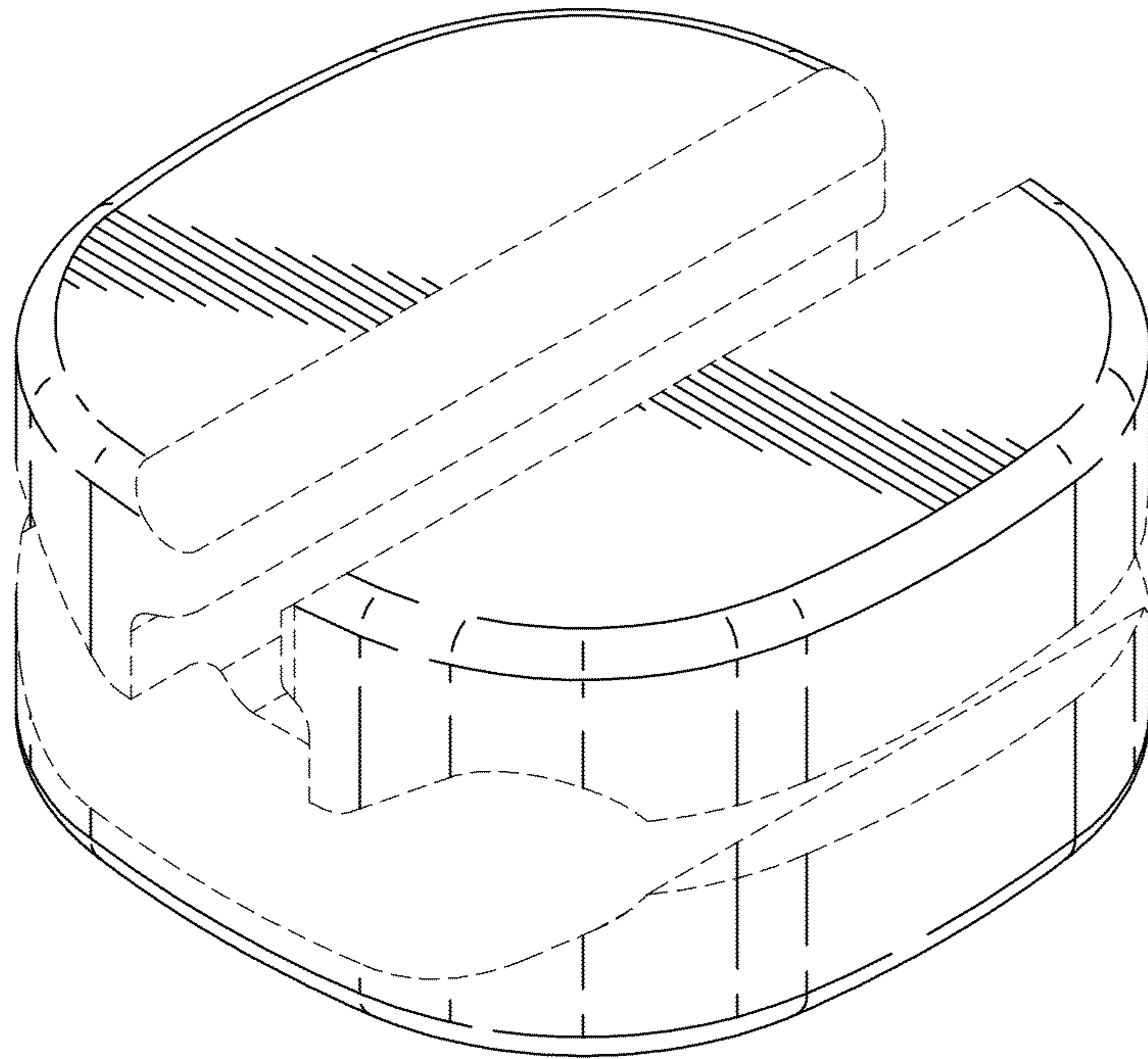


FIG. 1

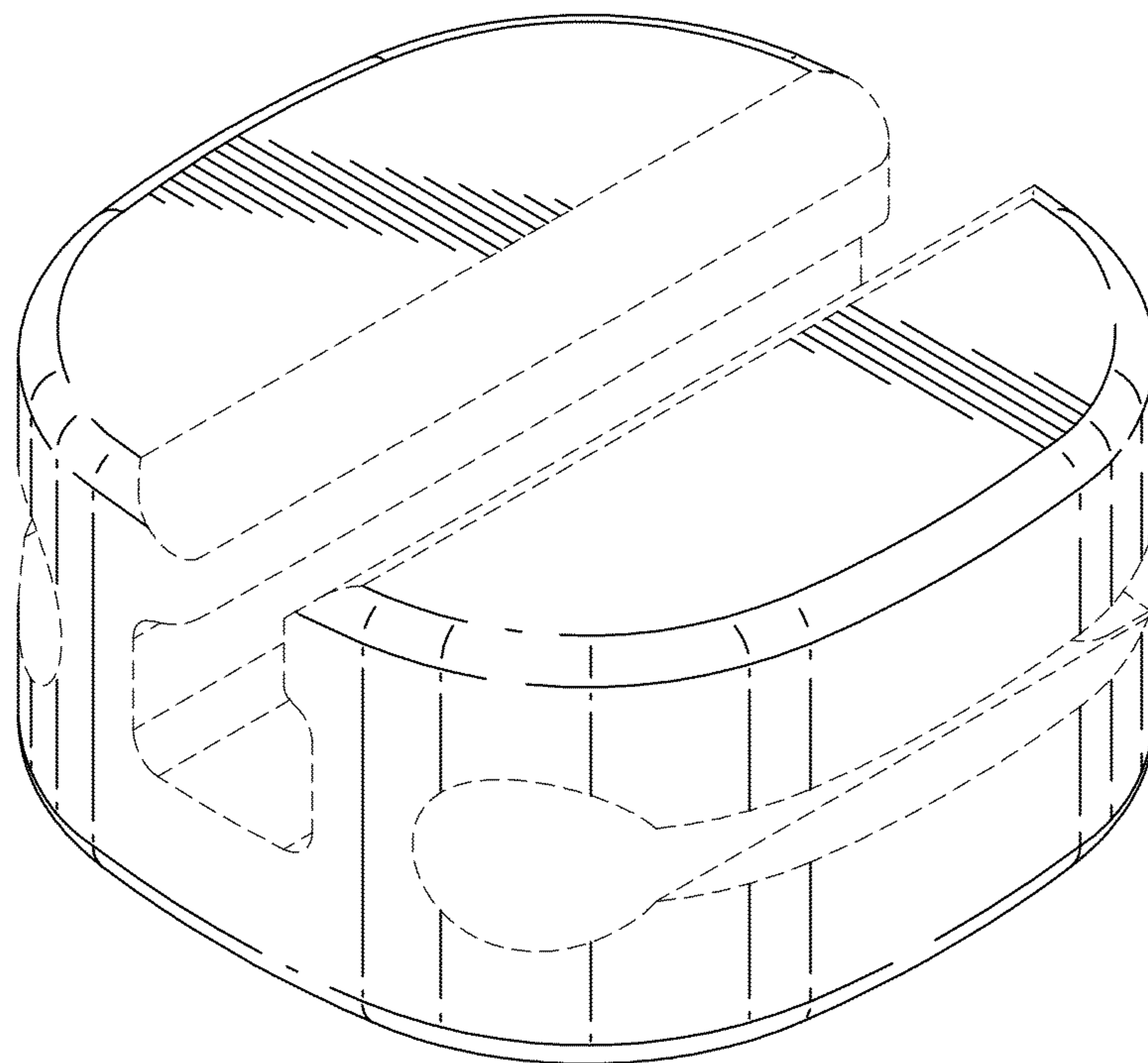


FIG. 2

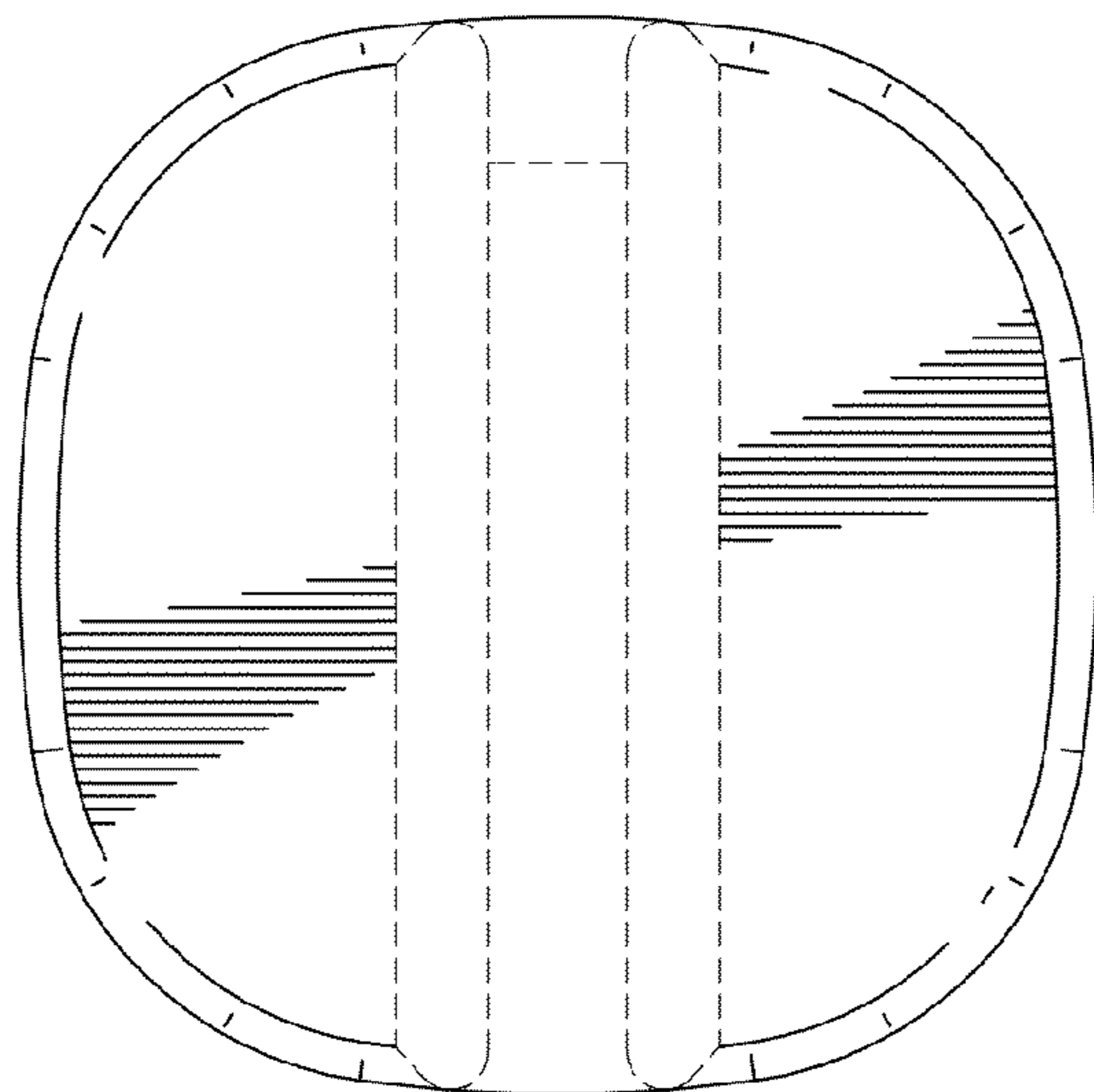


FIG. 3

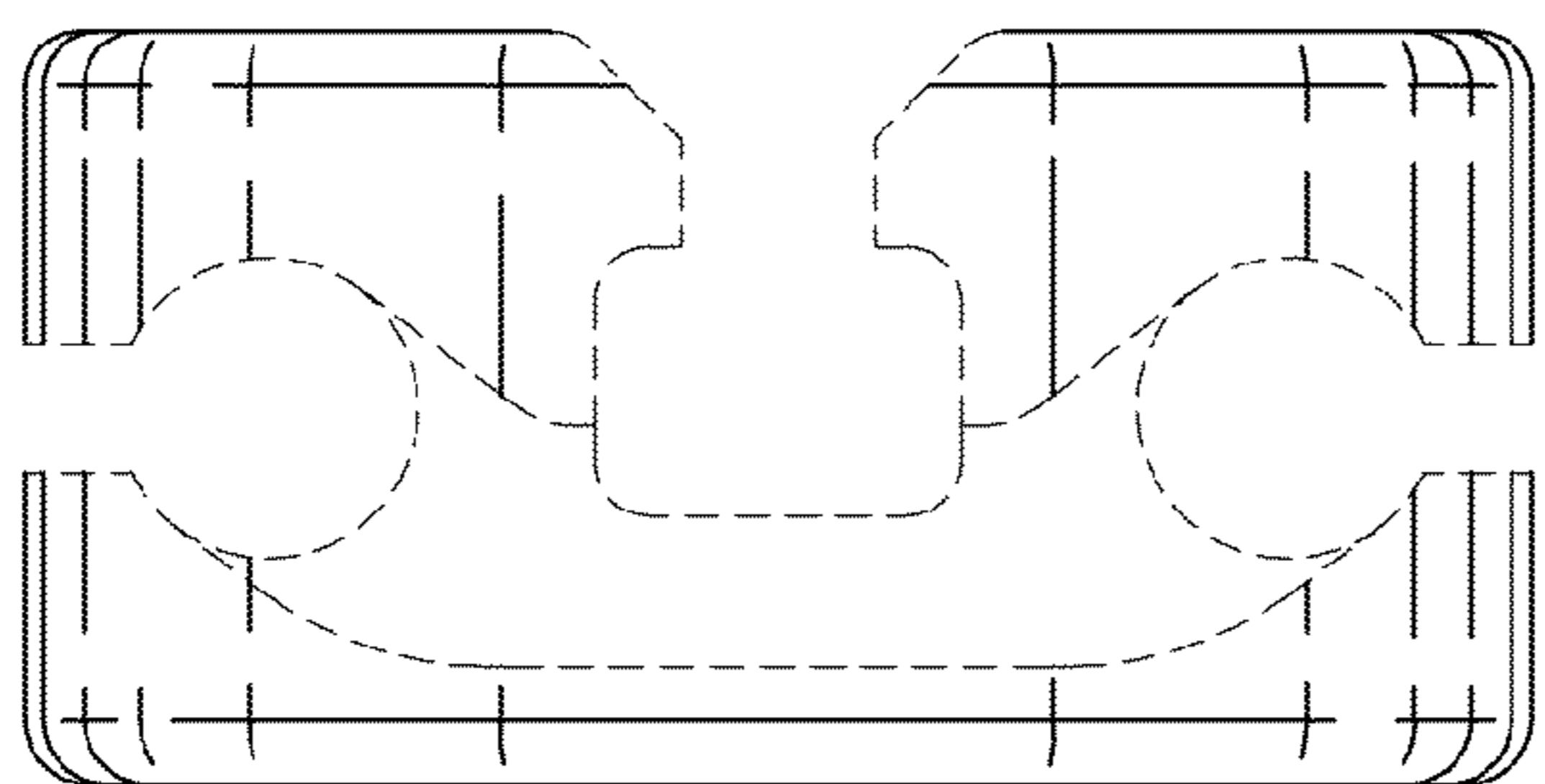


FIG. 4

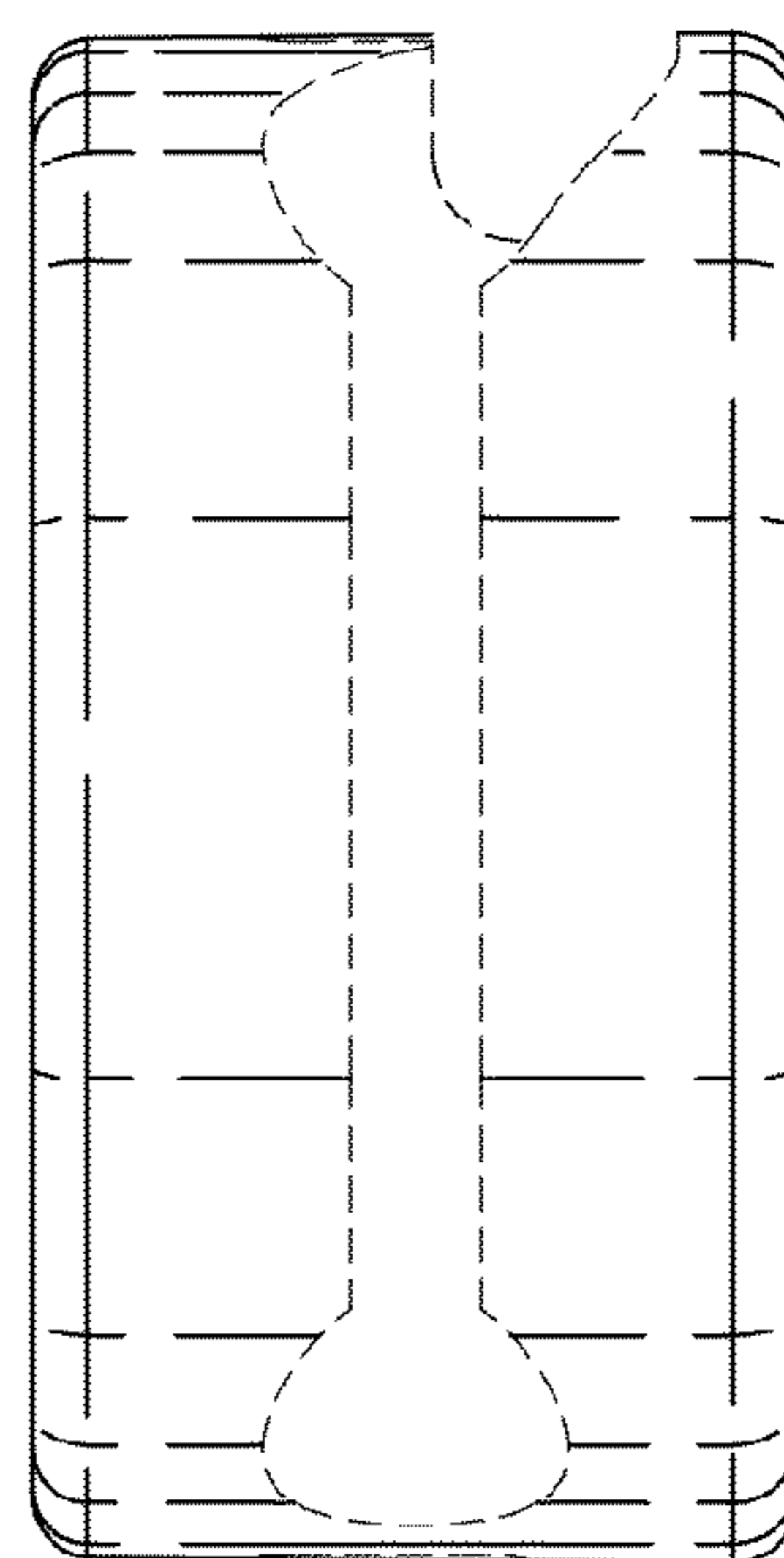


FIG. 5

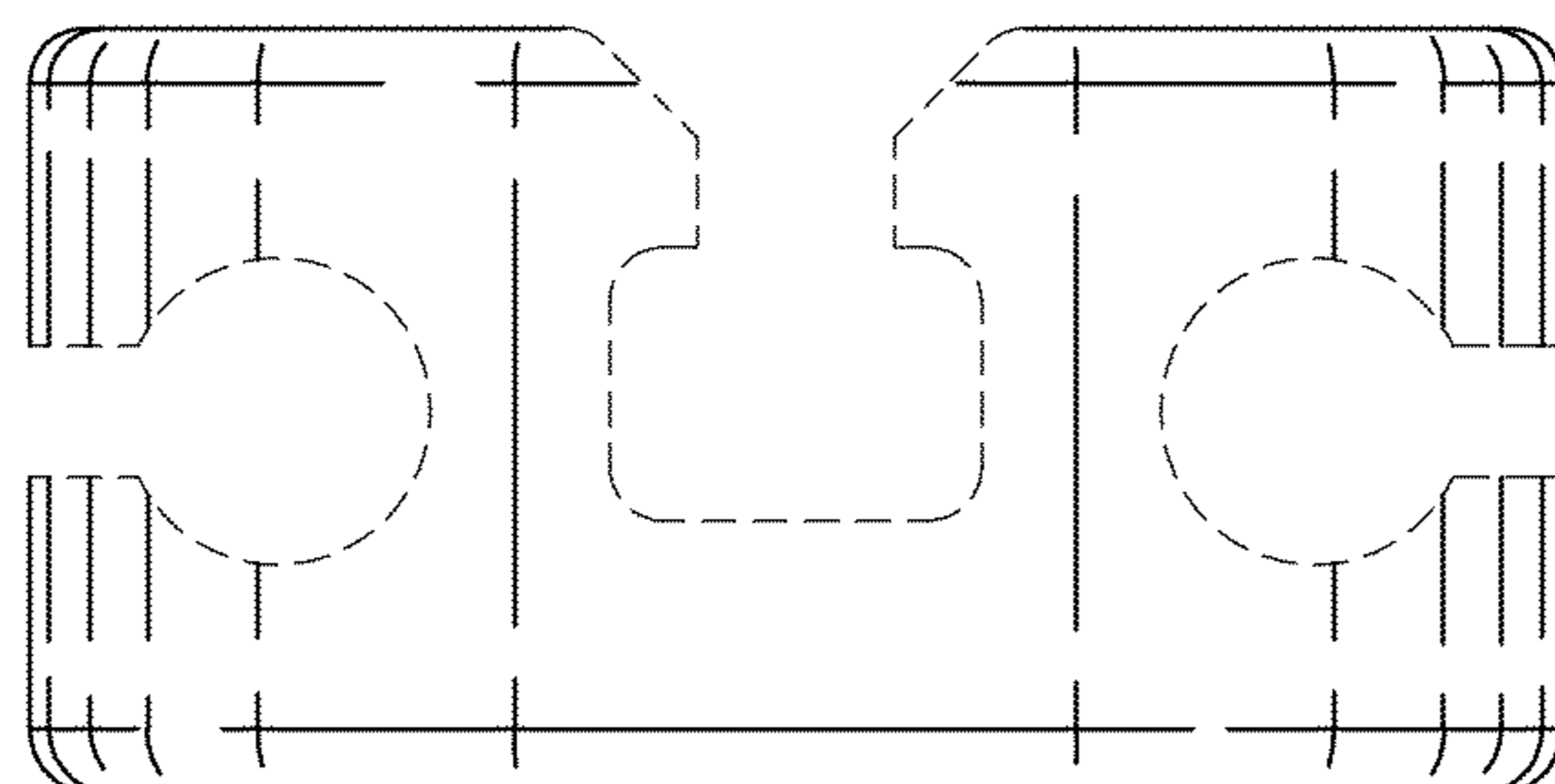


FIG. 6

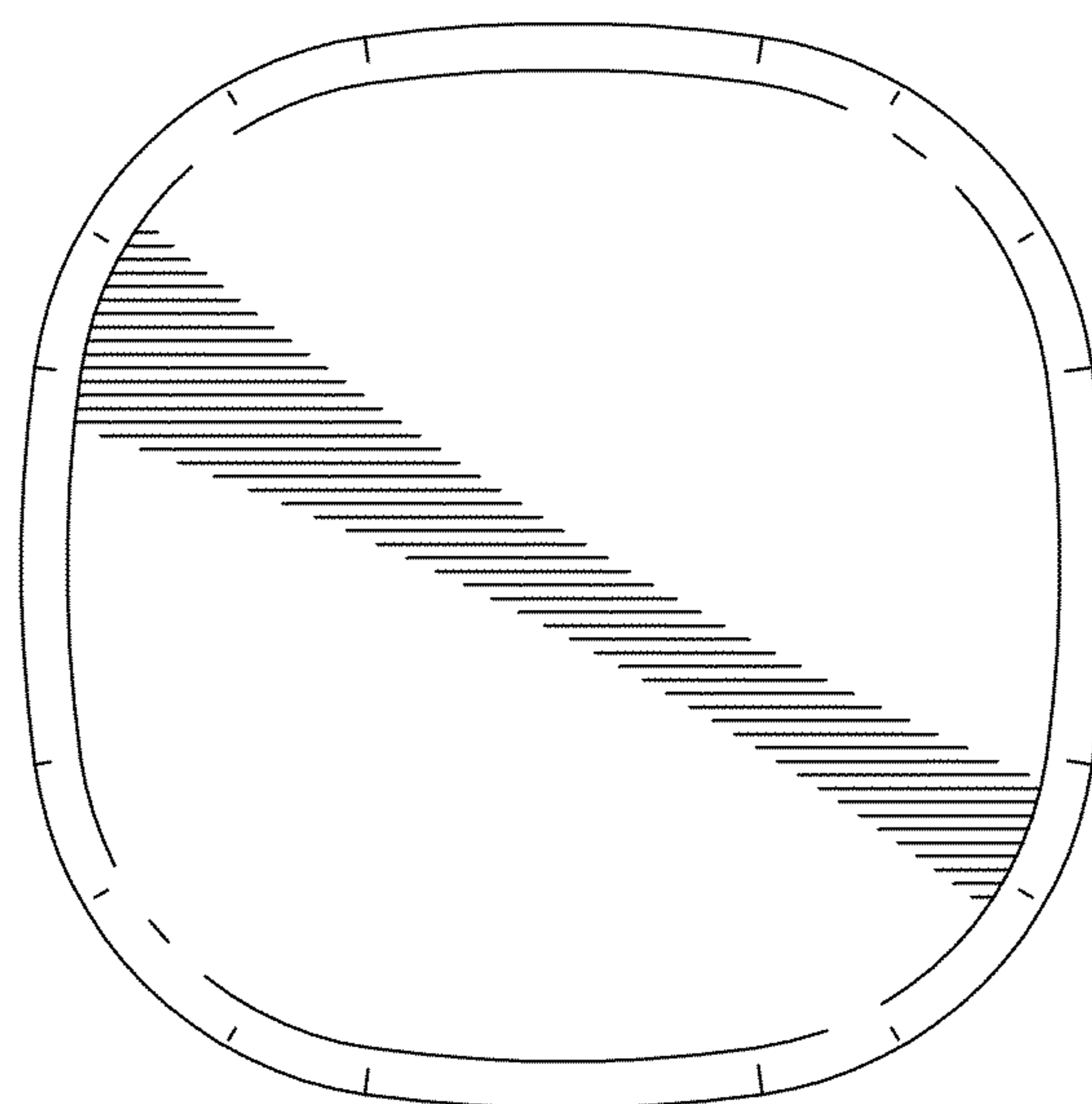


FIG. 7

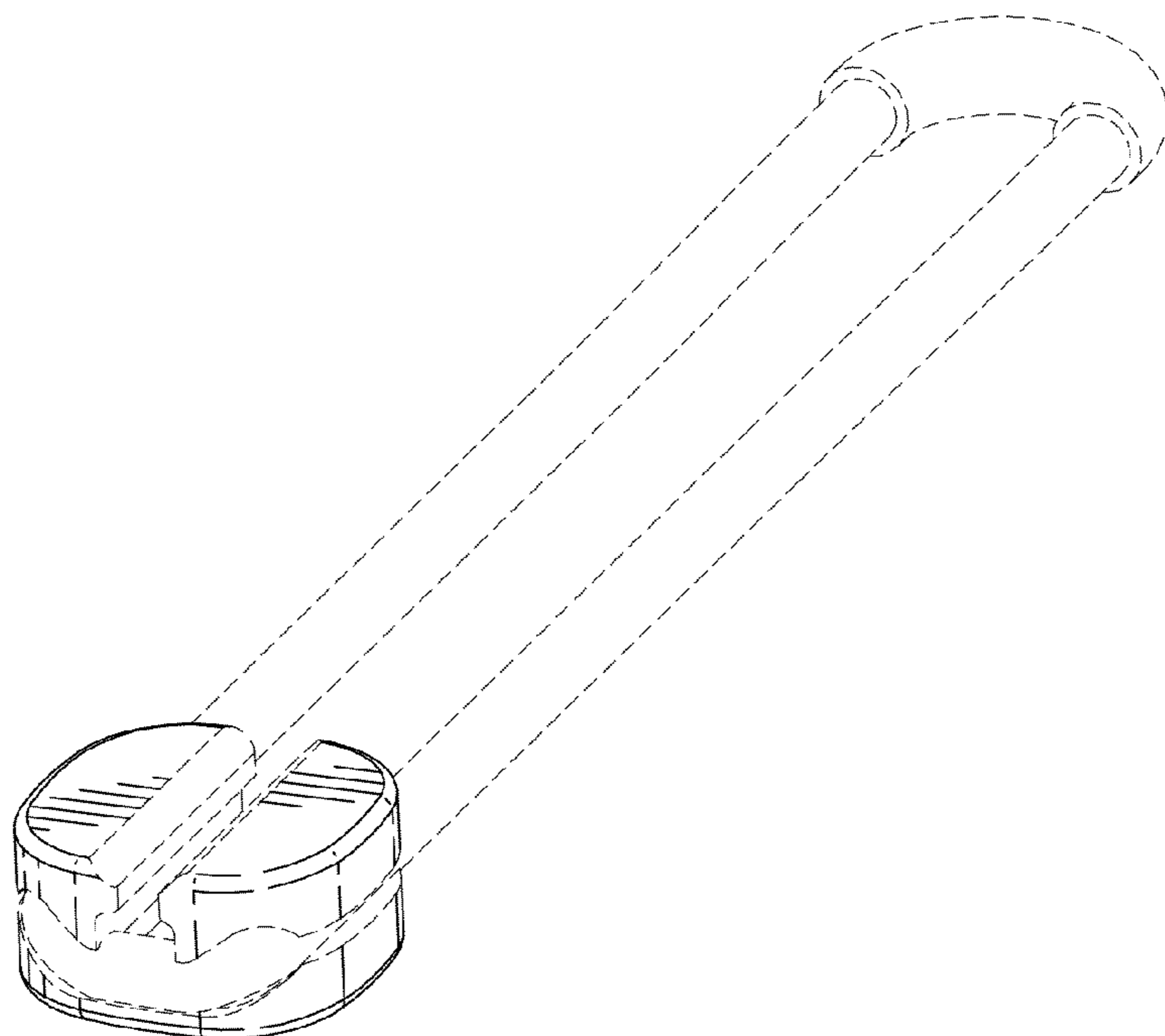


FIG. 8

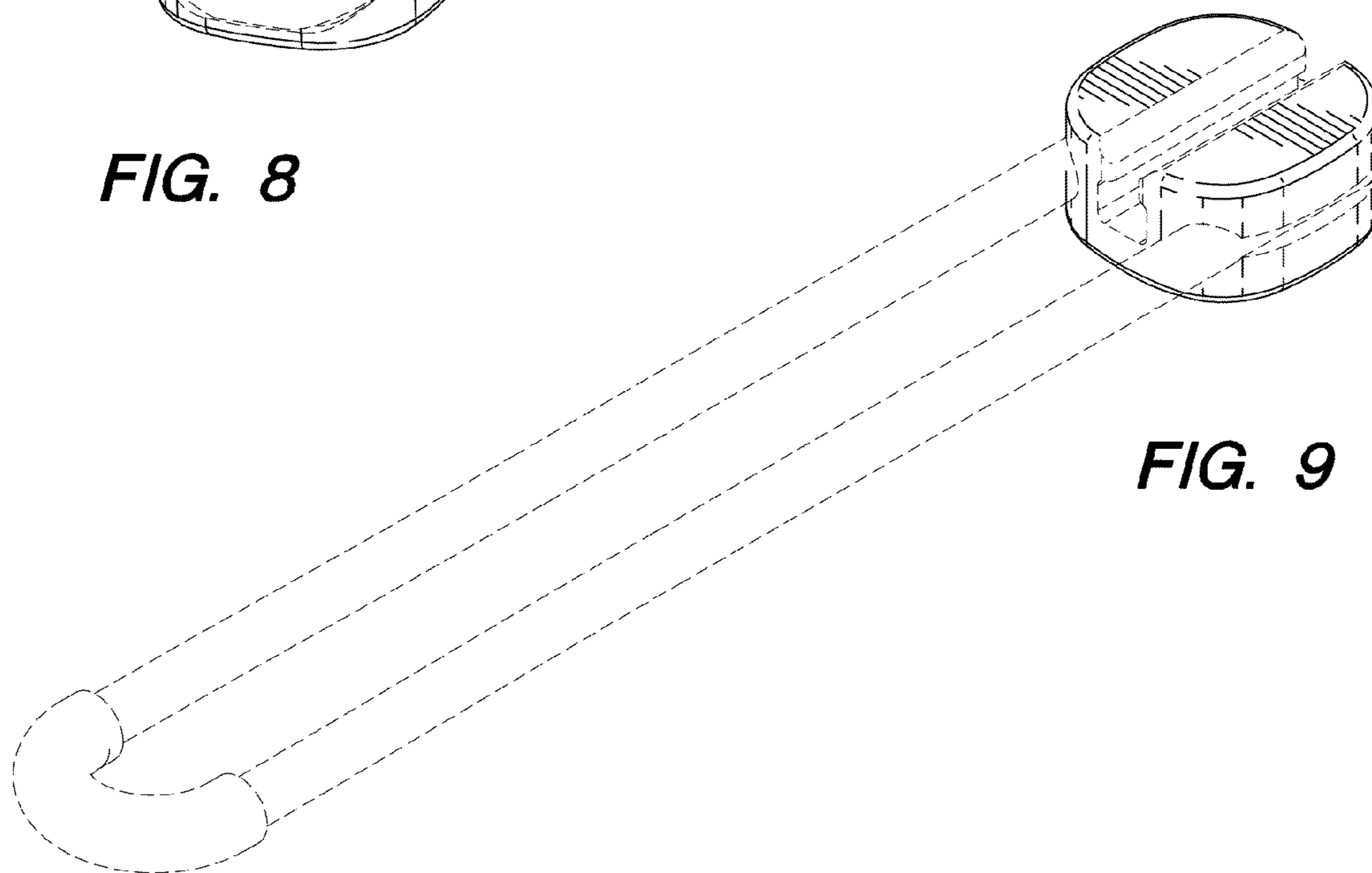


FIG. 9

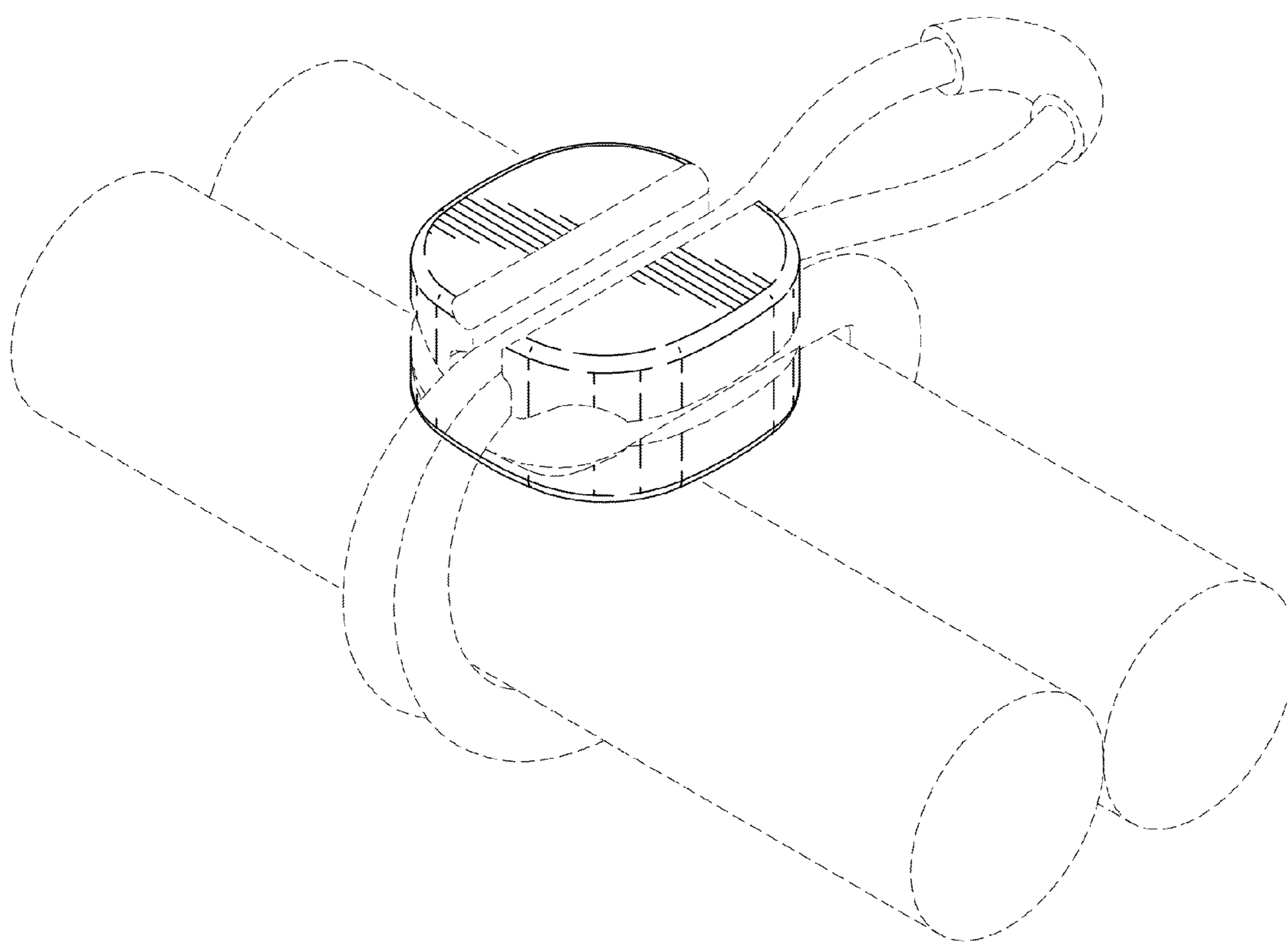


FIG. 10