



US00D758834S

(12) **United States Design Patent**
Tally

(10) **Patent No.:** **US D758,834 S**
(45) **Date of Patent:** **** Jun. 14, 2016**

(54) **ROOFTOP SUPPORT**
(71) Applicant: **Cooper Technologies Company,**
Houston, TX (US)
(72) Inventor: **Brandon Michael Tally,** Greenville, IL
(US)
(73) Assignee: **Cooper Technologies Company,**
Houston, TX (US)

2,905,743 A 9/1959 Sylvester
2,909,054 A * 10/1959 Phillips E04B 1/4107
24/DIG. 50
3,636,829 A * 1/1972 Palmer E01F 9/087
404/7
3,995,901 A 12/1976 Filbert, Jr. et al.
4,469,316 A 9/1984 van den Boom et al.
4,783,040 A * 11/1988 Lindberg F16L 3/14
24/274 R

(Continued)

(**) Term: **15 Years**
(21) Appl. No.: **29/535,607**
(22) Filed: **Aug. 7, 2015**

FOREIGN PATENT DOCUMENTS

CA 2107707 A1 10/1993
CA 2151183 A1 6/1995

OTHER PUBLICATIONS

Advanced Support Products, Inc., Ecocurb with Strut (Rubber or Plastic), 1 page, 2001, Tomball, Texas, United States.

(Continued)

Related U.S. Application Data

(62) Division of application No. 29/465,729, filed on Aug. 30, 2013, now Pat. No. Des. 738,711.

(51) **LOC (10) Cl.** **08-05**
(52) **U.S. Cl.**
USPC **D8/380**

Primary Examiner — Rosemary K Tarcza
Assistant Examiner — Nathaniel D Buckner
(74) *Attorney, Agent, or Firm* — Sennier Powers LLP

(58) **Field of Classification Search**
USPC D8/349, 354–355, 380, 382–383, 394,
D8/74; D13/155, 102, 118, 154, 184, 199;
D25/119, 123, 124, 125, 65; D21/484,
D21/500, 504
CPC B25B 1/00; F24J 2/07; F24J 2/14;
F24J 2/541; F24J 2/542; F24J 2/38; Y02E
10/47; Y02E 10/45; Y02E 10/50; Y02E
10/60; Y02E 10/52; E04H 9/022; E04H
9/021; E02D 27/34; E04B 1/98; H01L 35/00;
H01L 31/0522; H01L 35/08; H01L 31/052;
H01L 31/042; H01L 31/05; H01L 27/1423;
H01L 31/048; H01L 31/045; H01L 31/055;
B64G 1/443; B64G 1/222; B60G 2202/143
See application file for complete search history.

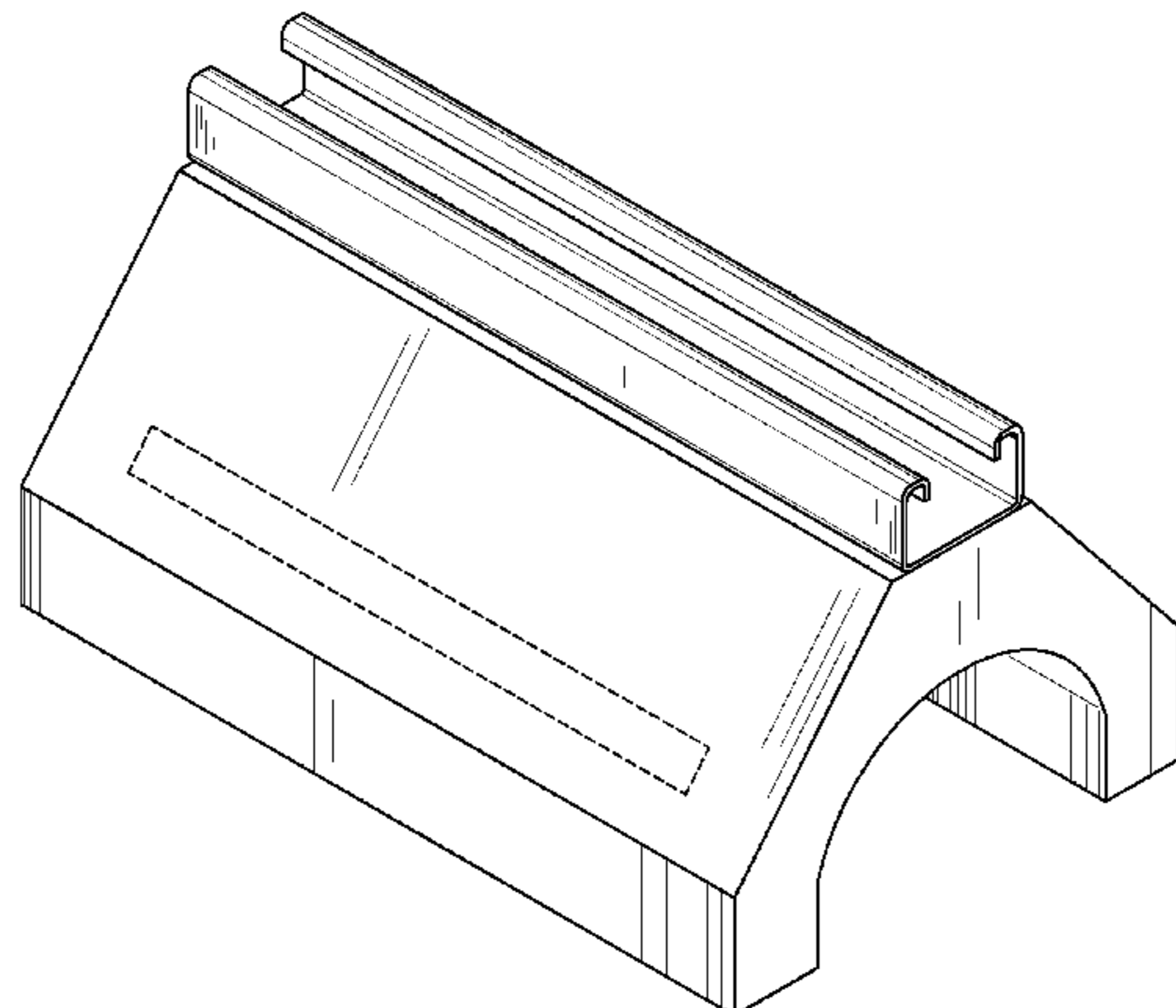
(57) **CLAIM**
The ornamental design for a rooftop support, as shown and described.

DESCRIPTION

FIG. 1 is a perspective of a rooftop support;
FIG. 2 is a front elevational view thereof;
FIG. 3 is a right elevational view thereof;
FIG. 4 is a top plan view thereof;
FIG. 5 is a rear elevational view thereof;
FIG. 6 is a left elevational view thereof; and,
FIG. 7 is a bottom plan view thereof.
The broken lines in the drawings indicate environmental structure which forms no part of the claimed design.

(56) **References Cited**
U.S. PATENT DOCUMENTS
1,858,101 A * 5/1932 McAfee F16L 7/00
248/49

1 Claim, 7 Drawing Sheets



(56)

References Cited

U.S. PATENT DOCUMENTS

5,028,463	A	7/1991	Cahill et al.	
5,122,405	A	6/1992	Landi	
5,217,191	A	6/1993	Smith	
5,723,192	A	3/1998	Jonasz	
D393,320	S	4/1998	Sinclair	
D399,727	S	10/1998	Richter	
5,816,554	A	10/1998	McCracken	
5,855,342	A	1/1999	Hawkins et al.	
D417,135	S	11/1999	McMahon	
6,229,497	B1	5/2001	McCracken	
6,427,965	B1	8/2002	McCracken	
6,494,415	B1 *	12/2002	Roth	F16L 3/24 248/62
6,520,456	B1	2/2003	Neider et al.	
D490,692	S	6/2004	Williams	
D521,851	S	5/2006	Smart	
D564,958	S *	3/2008	Almy	D13/102
D585,728	S	2/2009	Bertoni	
7,591,442	B2 *	9/2009	Dinh	F16L 3/1033 248/62
7,661,240	B2 *	2/2010	Sargent	F16L 3/137 248/146

7,866,093	B2 *	1/2011	Krovats	E04D 13/12 52/24
7,922,130	B2 *	4/2011	Hawkins	F16L 3/00 248/346.01
D667,296	S	9/2012	Eichner et al.	
8,312,692	B2	11/2012	Krovats	
D692,393	S	10/2013	Hillman et al.	
8,863,468	B1	10/2014	Perry et al.	
8,910,803	B2	12/2014	Holtby et al.	
2006/0091265	A1 *	5/2006	Smart	F16L 3/02 248/49
2007/0045482	A1 *	3/2007	Smart	F16L 3/04 248/68.1
2007/0057125	A1	3/2007	Hawkins	
2007/0120036	A1	5/2007	Olle et al.	
2010/0252092	A1	10/2010	Lenox	

OTHER PUBLICATIONS

Cooper B-Line, B-Line, Dura-Blok, A Complete Rooftop Support Solution, 16 pages, at least as early as Aug. 29, 2012, Highland, Illinois, United States.
Keycurb, Roof Top RTA Accessories, Keycurb Pipe Supports, May 16, 2007, 2 pages, <http://www.keycurb.com/products/keycurb/strut.asp>, Tomball, Texas, United States.

* cited by examiner

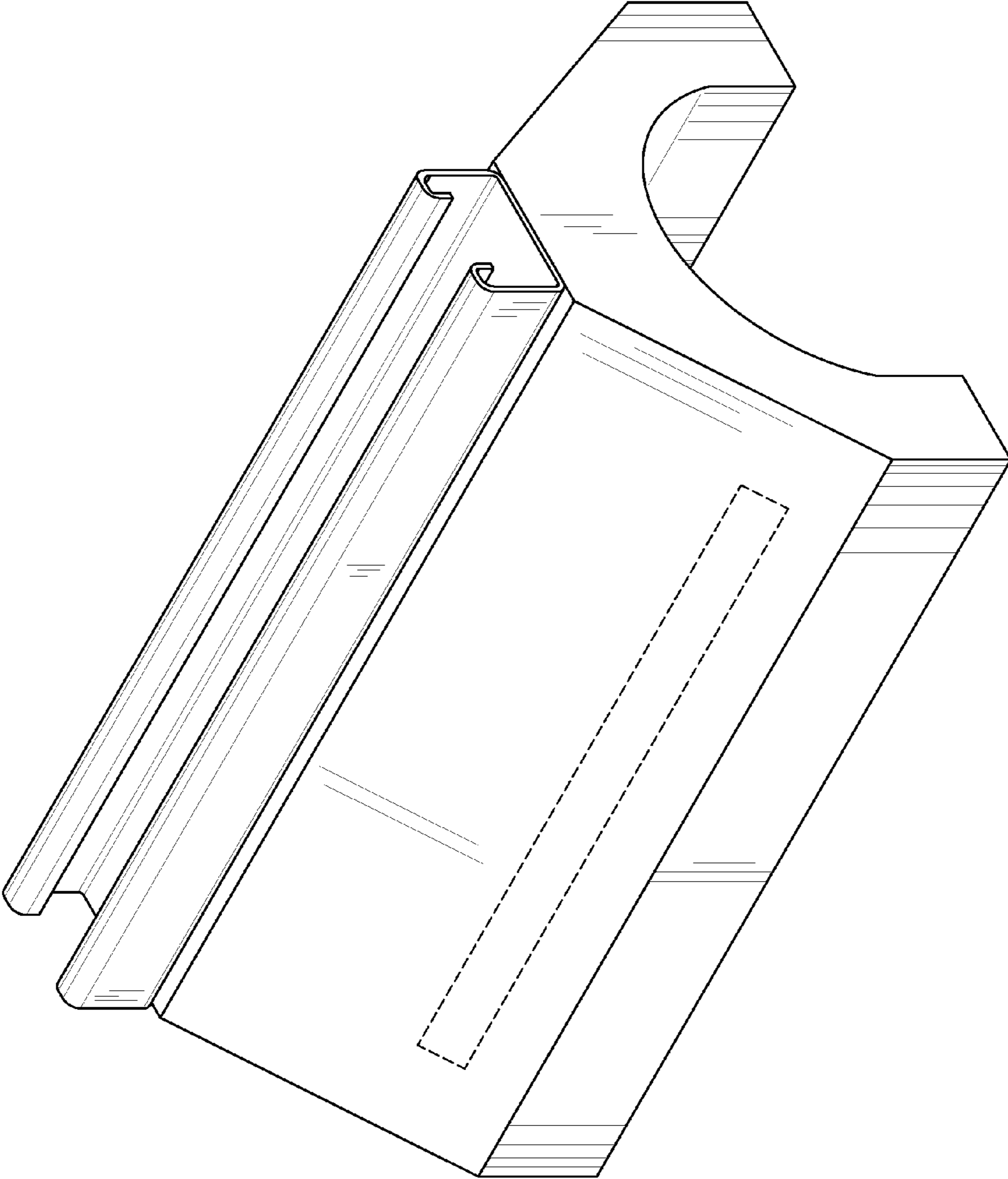


FIG. 1

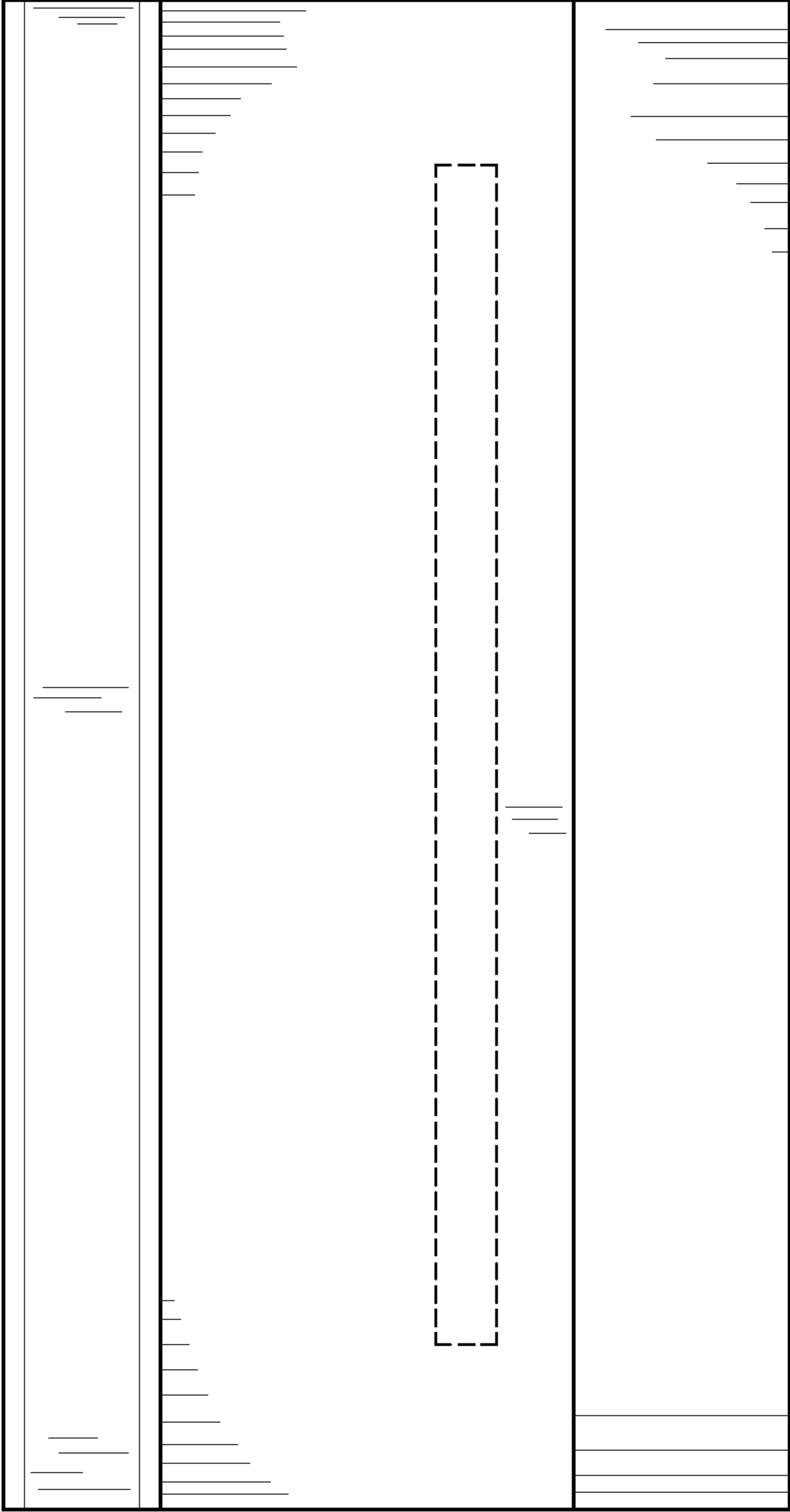
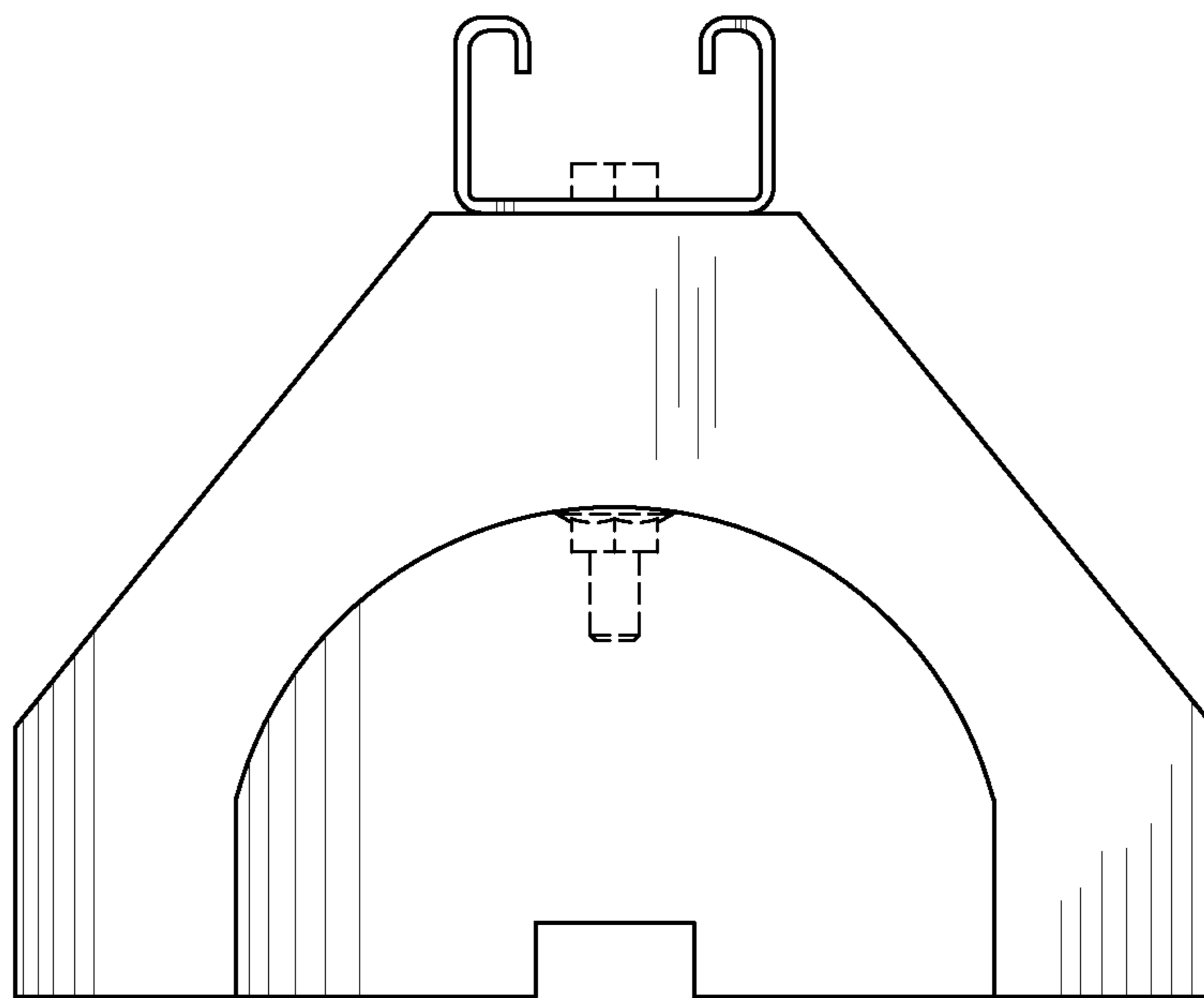


FIG. 2

FIG. 3



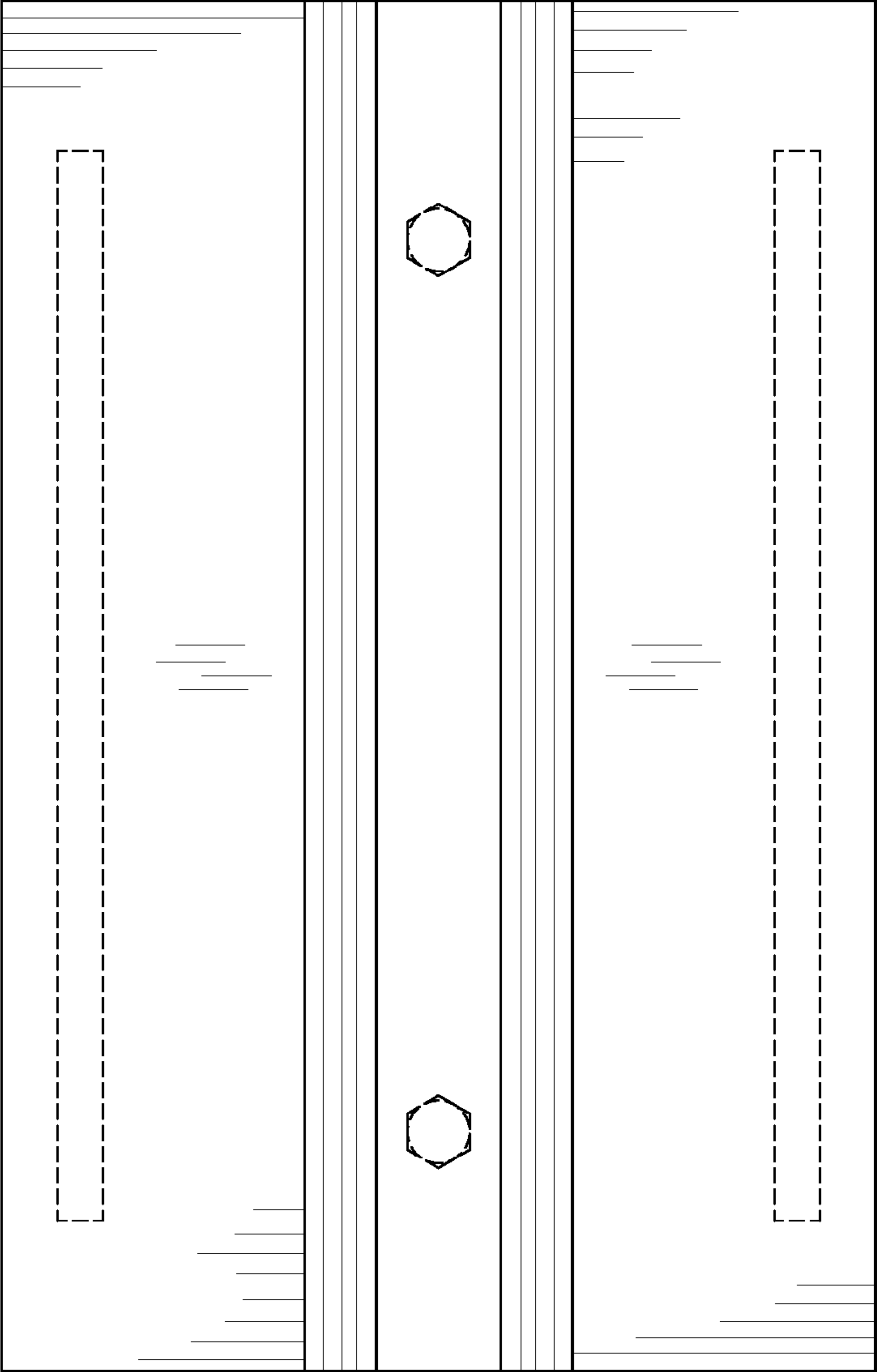


FIG. 4

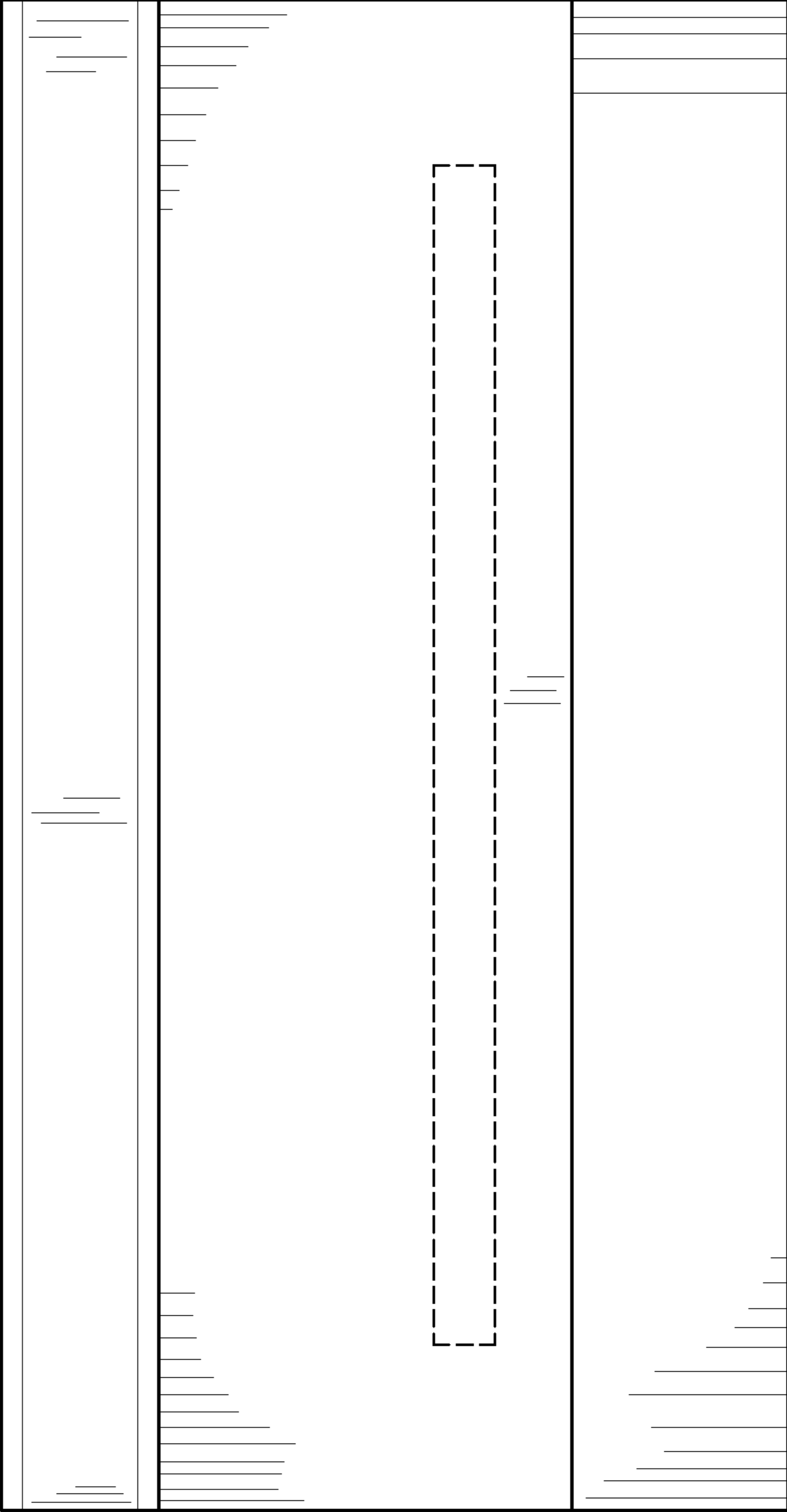
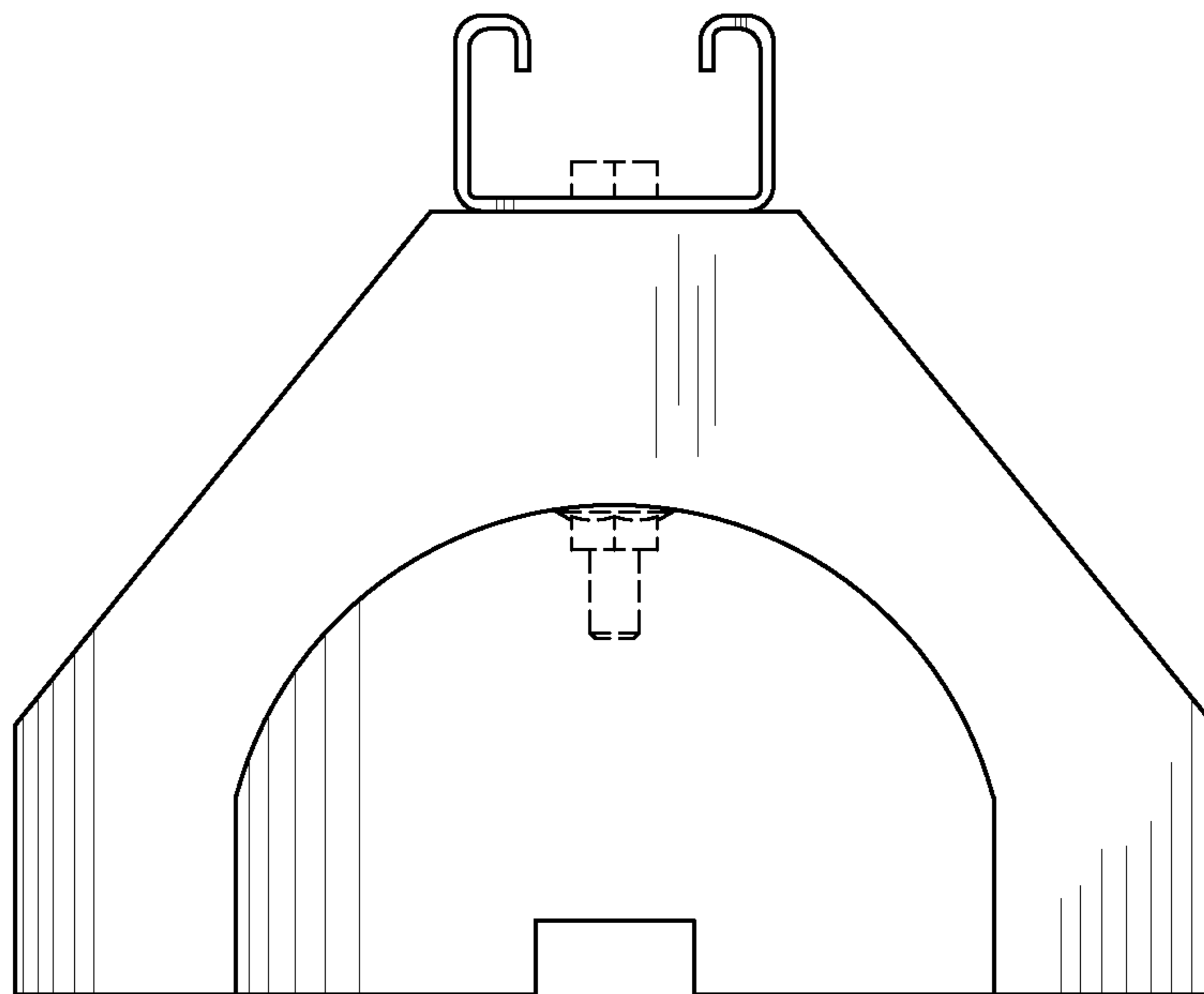


FIG. 5

FIG. 6



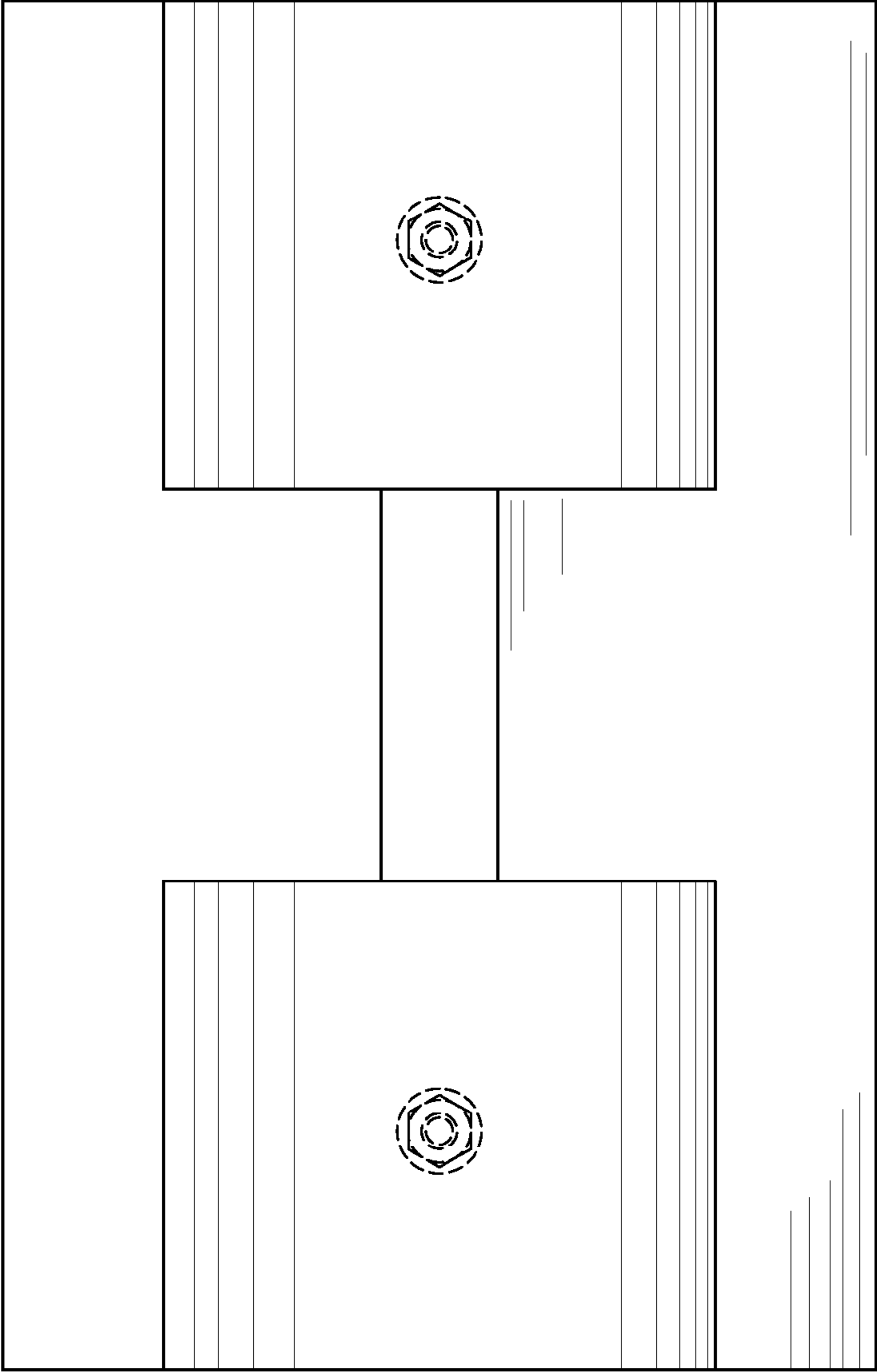


FIG. 7