



US00D758833S

(12) **United States Design Patent**
Stites, Jr.

(10) **Patent No.:** **US D758,833 S**

(45) **Date of Patent:** **** Jun. 14, 2016**

(54) **SCREED BRACKET**

(71) Applicant: **The Original Screed Bracket LLC,**
Perkins, OK (US)

(72) Inventor: **Ronald Lee Stites, Jr.,** Perkins, OK
(US)

(**) Term: **14 Years**

(21) Appl. No.: **29/515,631**

(22) Filed: **Jan. 26, 2015**

Related U.S. Application Data

(63) Continuation-in-part of application No. 13/763,719,
filed on Feb. 10, 2013.

(51) **LOC (10) Cl.** **08-05**

(52) **U.S. Cl.**
USPC **D8/380; D8/45**

(58) **Field of Classification Search**
USPC D8/16, 18, 19, 20, 105, 363, 366,
D8/370-377, 380-382; D19/59, 60, 62, 64
See application file for complete search history.

(56) **References Cited**

U.S. PATENT DOCUMENTS

D200,407 S * 2/1965 Wessel D8/380
D211,197 S * 5/1968 Malmo D32/50

D238,412 S * 1/1976 De Mars D20/43
D238,461 S * 1/1976 Bauman D6/521
D261,013 S * 9/1981 DeMars D20/42
D412,248 S * 7/1999 Berti D32/50
D426,142 S * 6/2000 Moore D8/363
D513,128 S * 12/2005 Hay D4/132
D572,123 S * 7/2008 Huang D8/374

* cited by examiner

Primary Examiner — Robert M Spear

Assistant Examiner — Eliza Bennett-Hattan

(74) *Attorney, Agent, or Firm* — Martin S. High, P.C

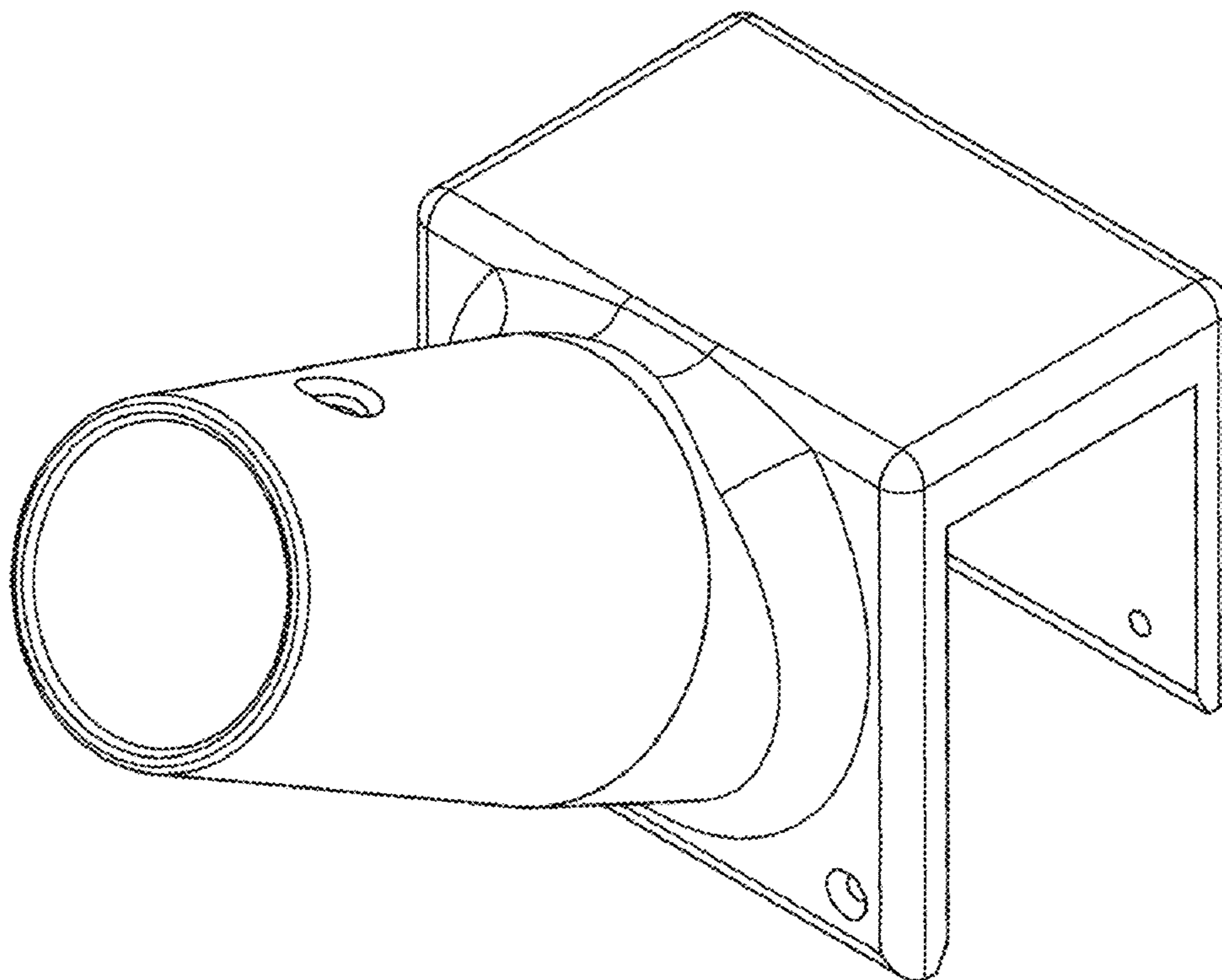
(57) **CLAIM**

The ornamental design for a screed bracket, as shown and described.

DESCRIPTION

FIG. 1 is a side view of the screed bracket design.
FIG. 2 is a front view of the screed bracket design.
FIG. 3 is a top view of the screed bracket design.
FIG. 4 is a perspective view of the screed bracket design.
FIG. 5 is a perspective view of the screed bracket design.
FIG. 6 is a back view of the screed bracket design.
FIG. 7 is a perspective view of the screed bracket design.
FIG. 8 is a top view of the screed bracket design; and,
FIG. 9 is a perspective view of the screed bracket design.

1 Claim, 9 Drawing Sheets



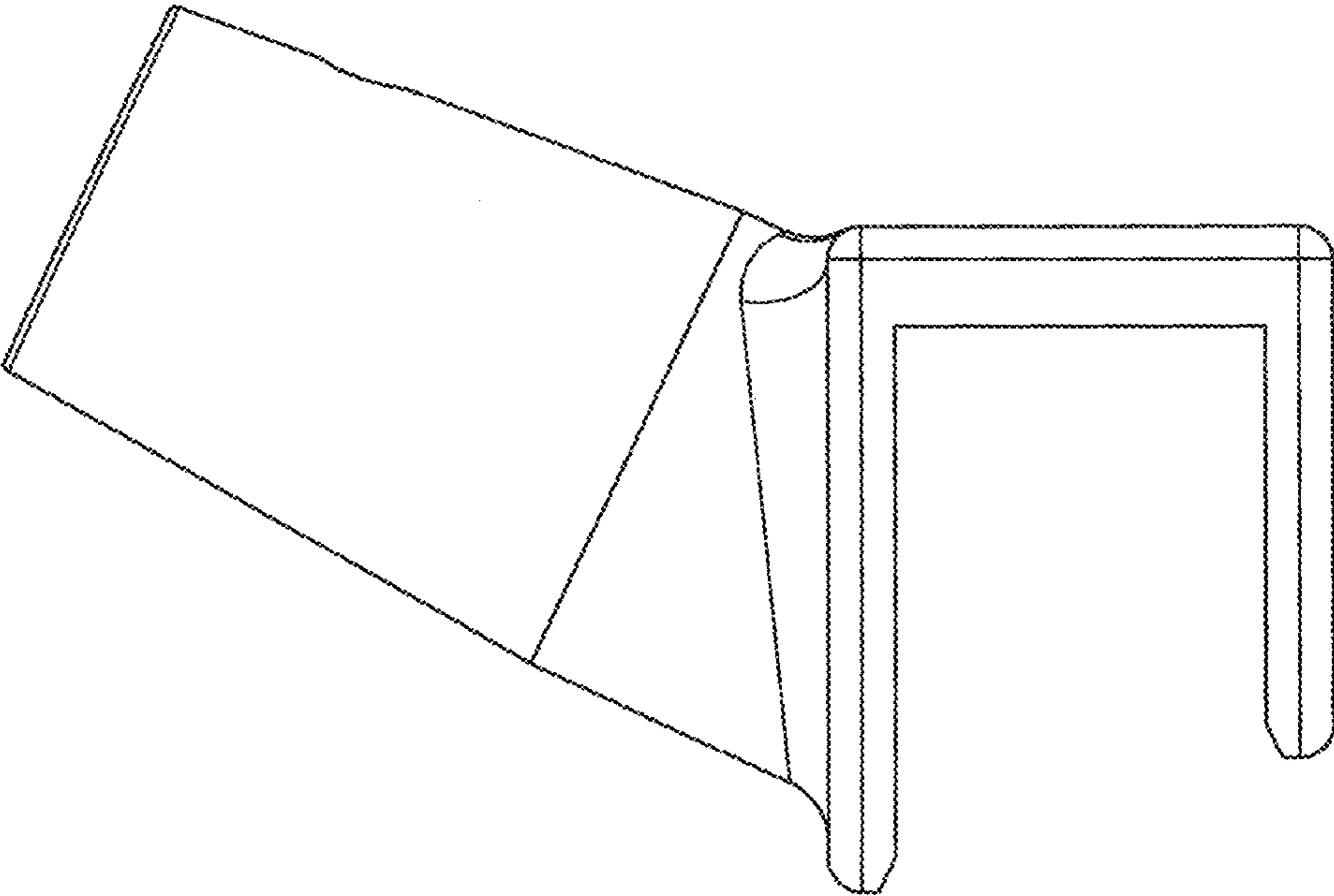


FIG. 1

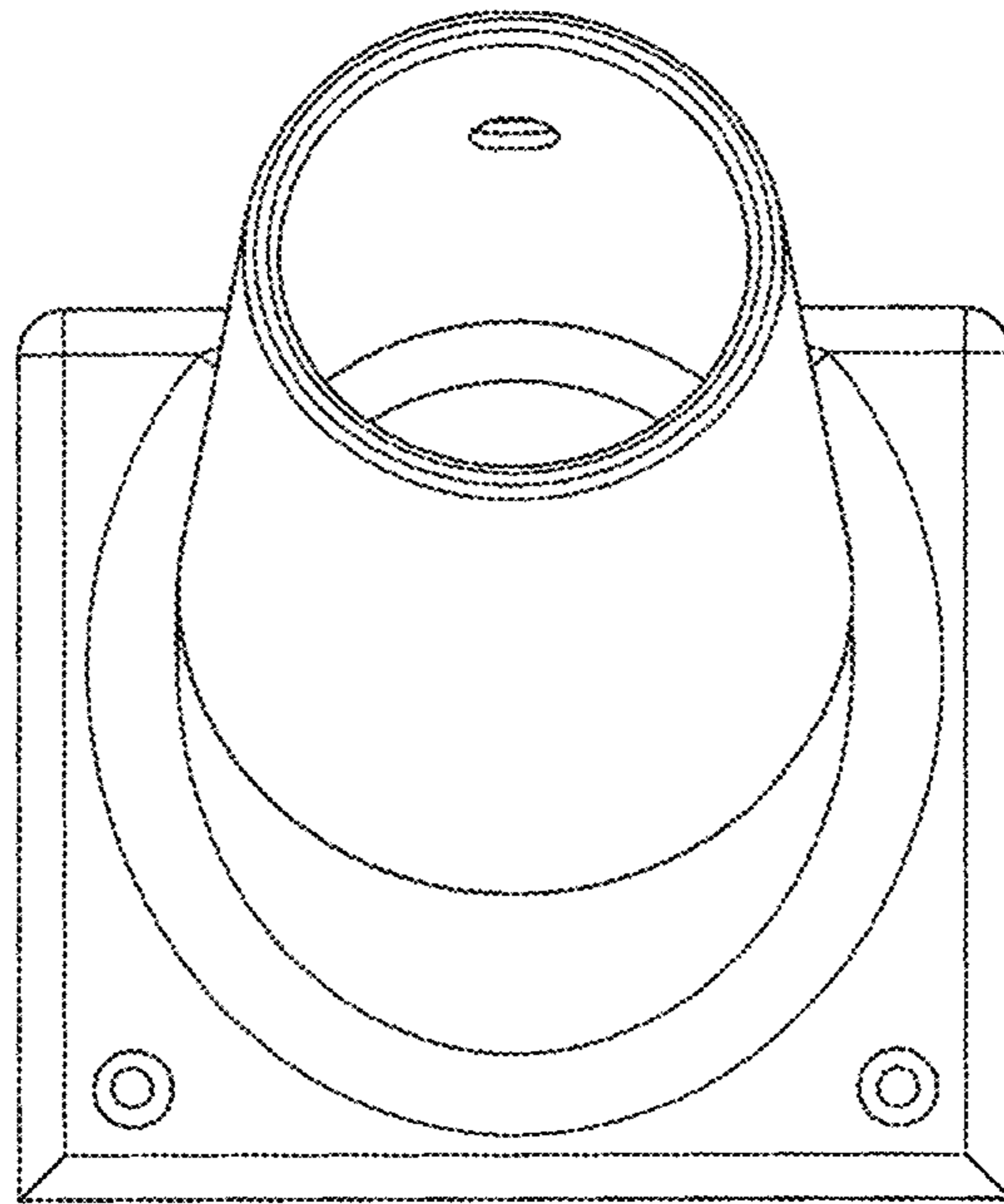


FIG. 2

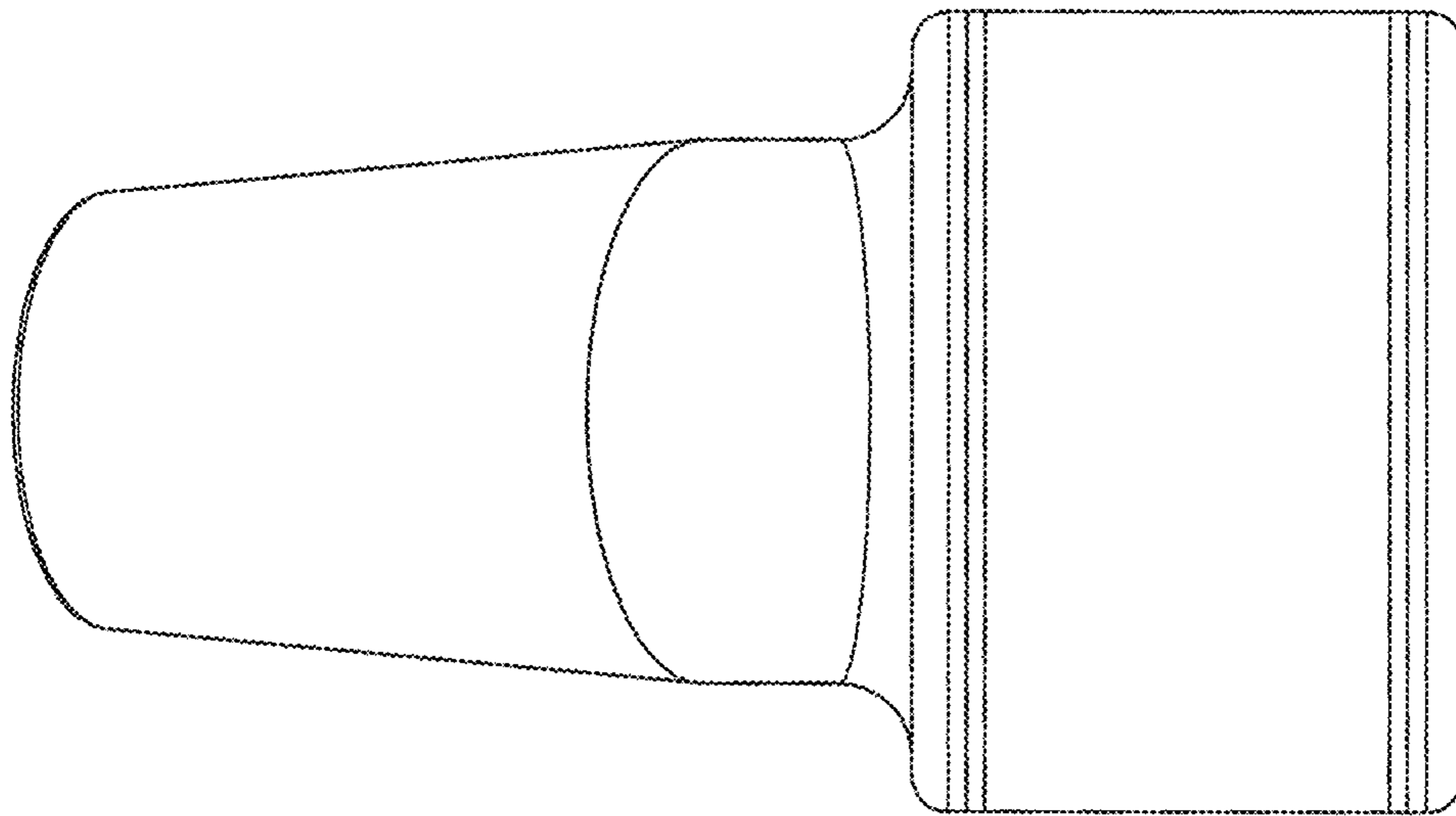


FIG. 3

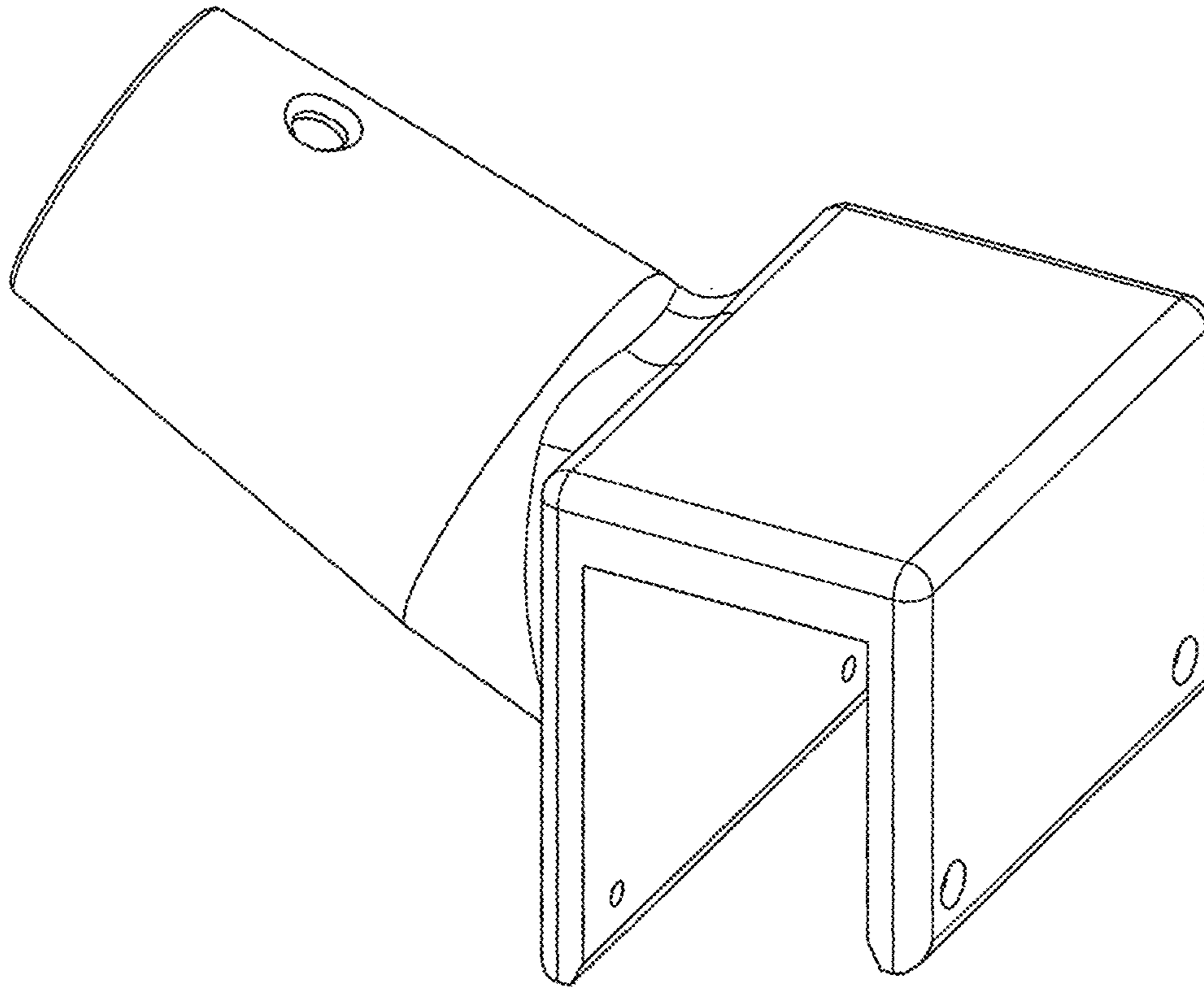


FIG. 4

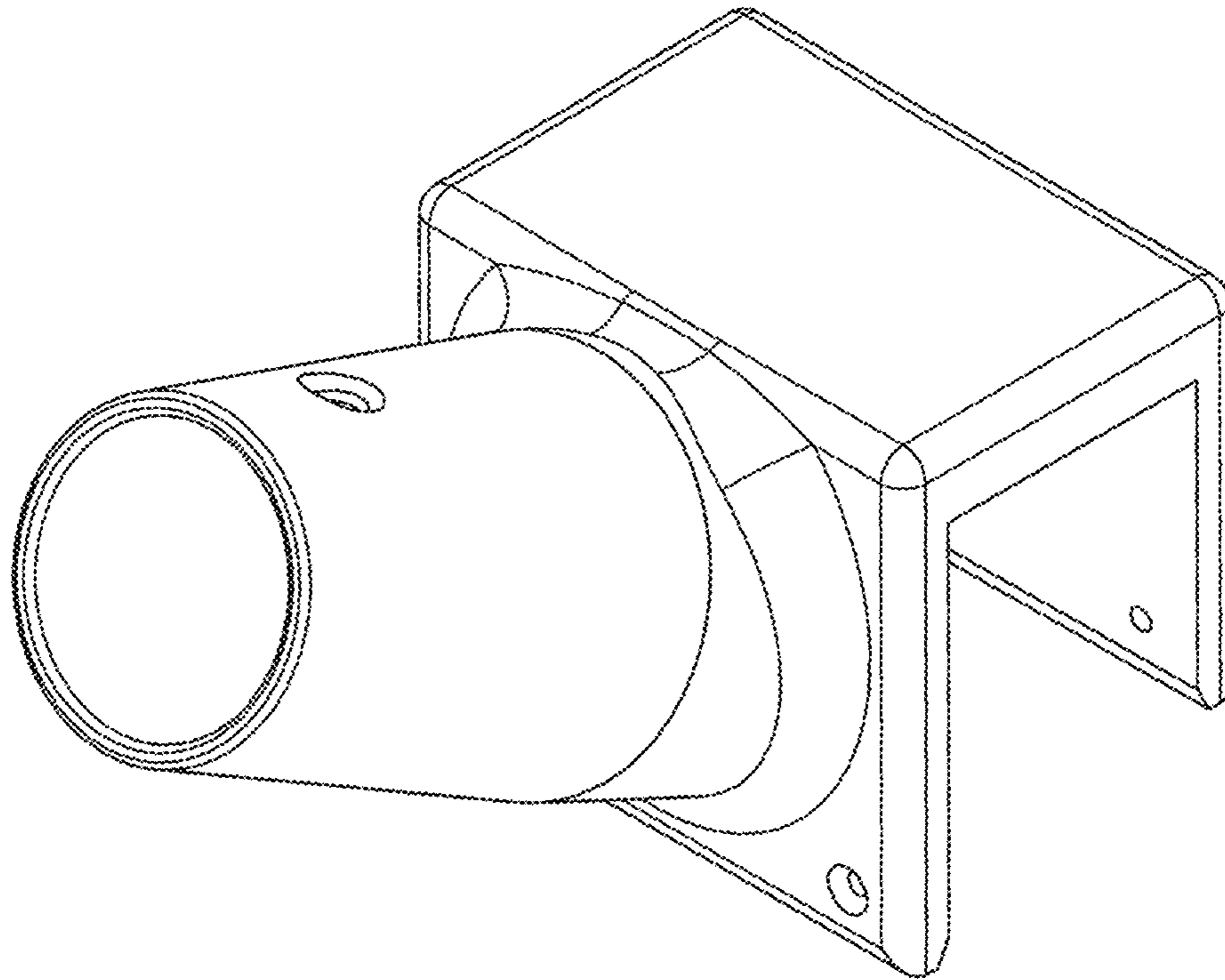


FIG. 5

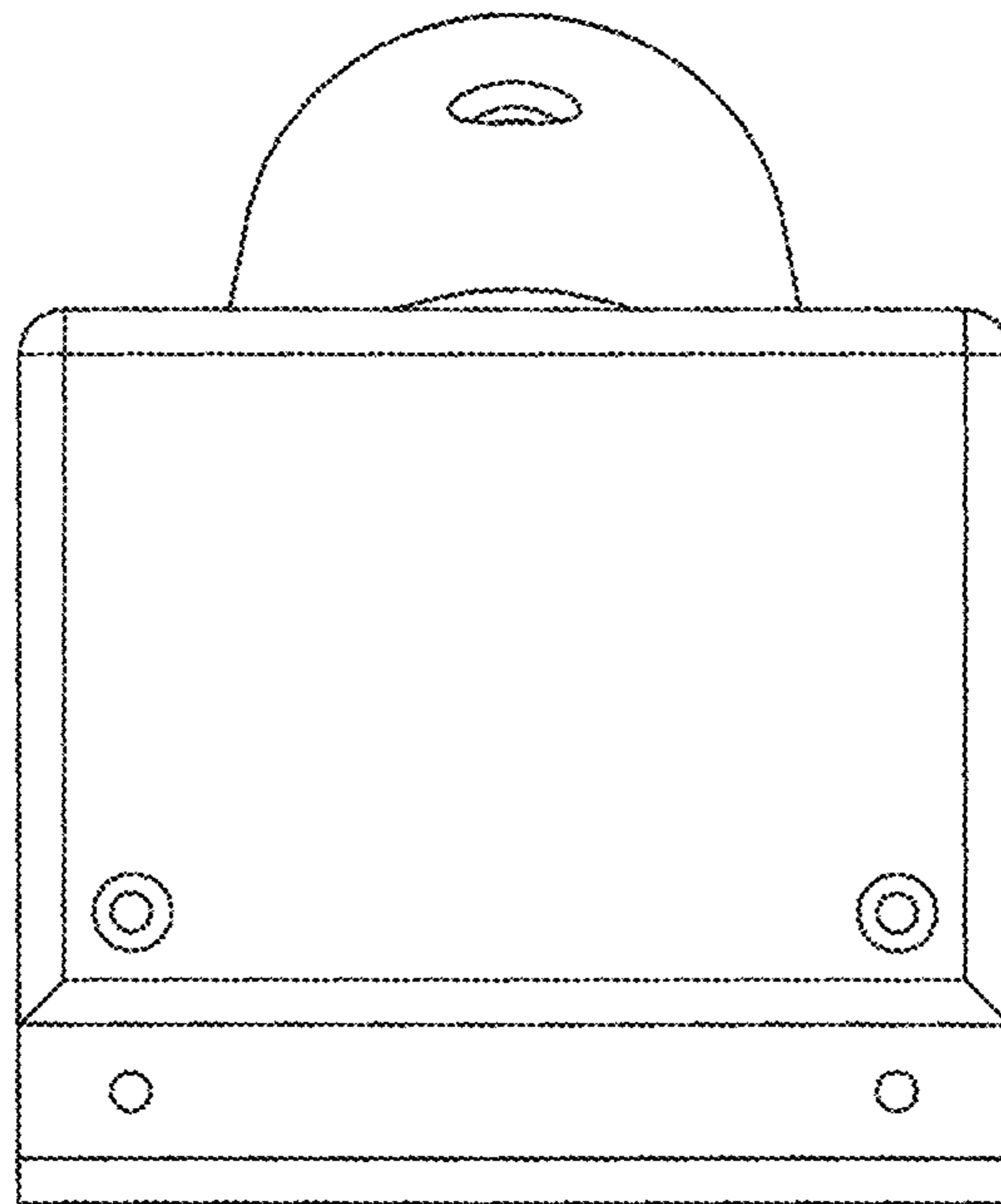


FIG. 6

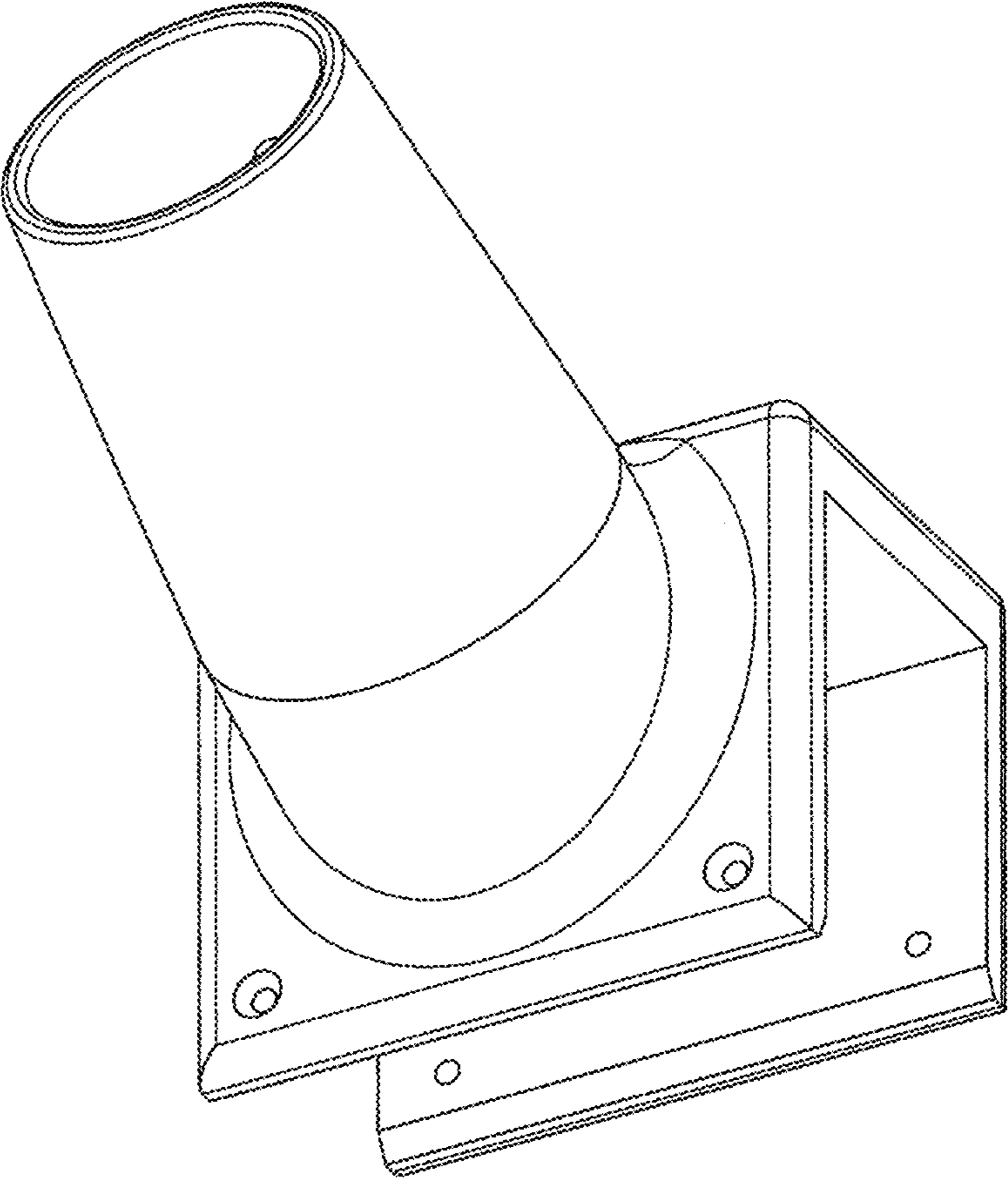


FIG. 7

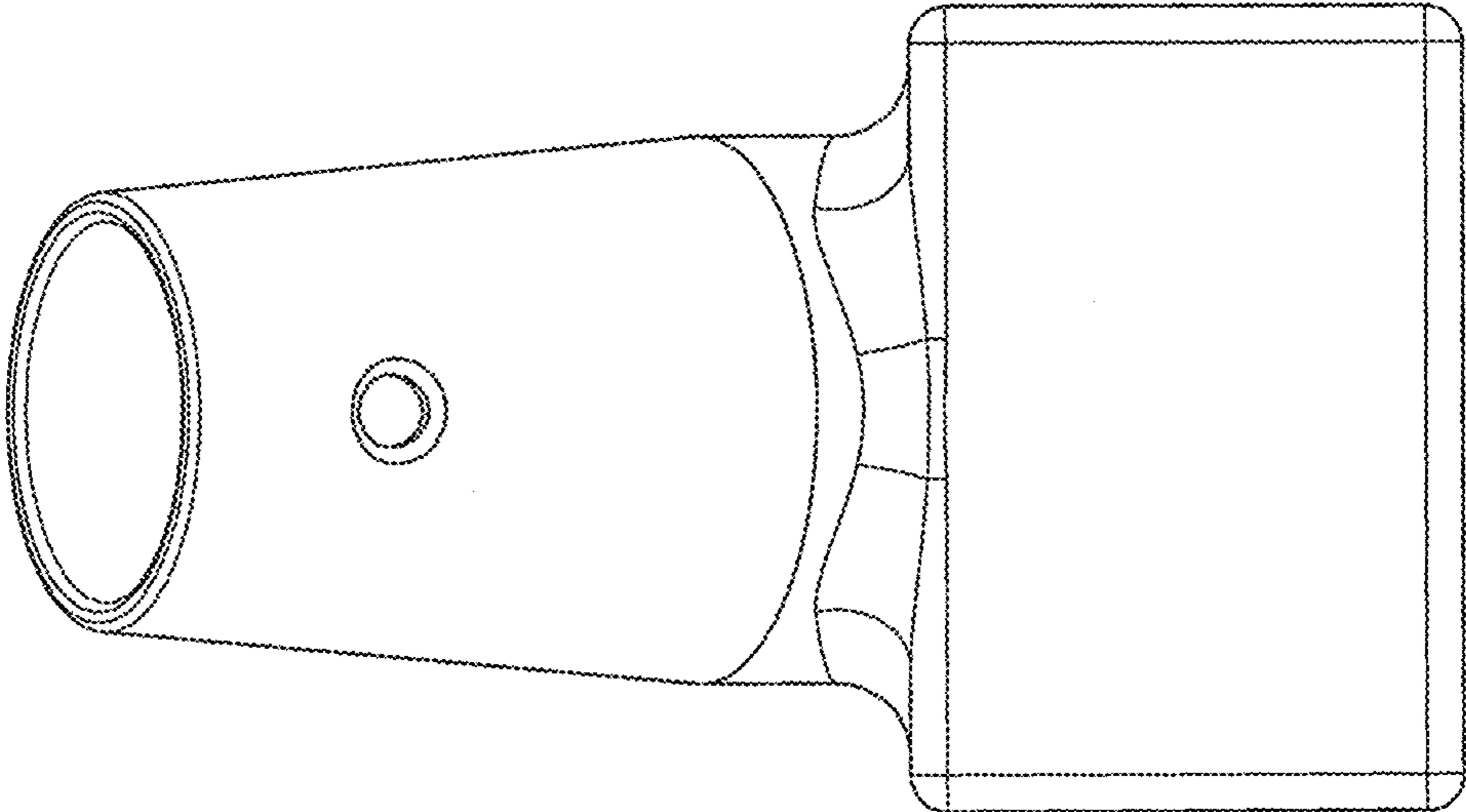


FIG. 8

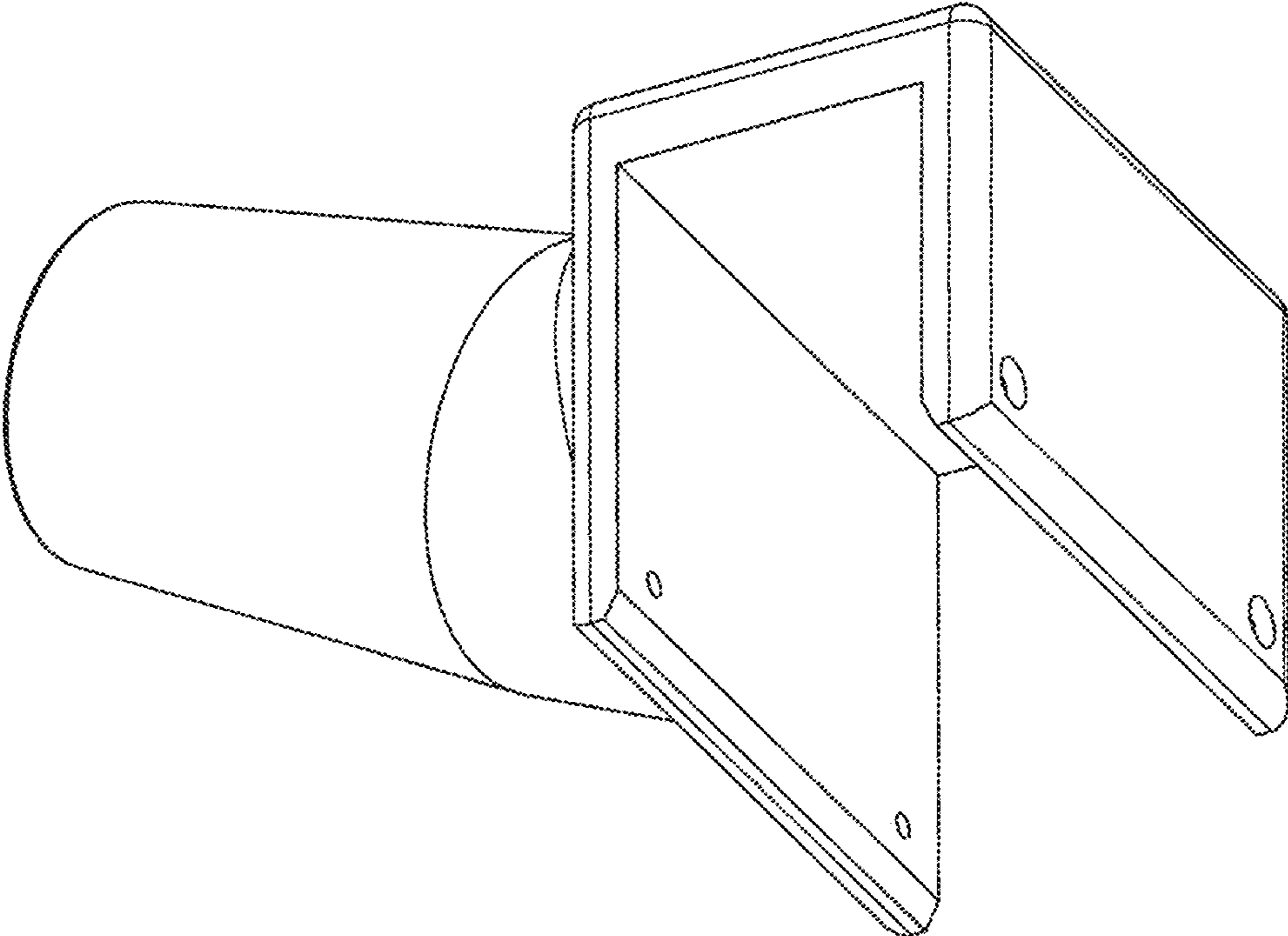


FIG. 9