



US00D758832S

(12) **United States Design Patent**  
**Huang**

(10) **Patent No.:** **US D758,832 S**  
(45) **Date of Patent:** **\*\* Jun. 14, 2016**

(54) **SQUARE-SHAPED SUCTION CUP HANGER**

8,893,935 B2 \* 11/2014 Paez ..... 223/37  
D727,135 S \* 4/2015 Huang ..... D8/367  
2014/0306083 A1 \* 10/2014 Zhang ..... 248/363

(71) Applicant: **Anho Houseware Co., Ltd.**  
**(Jiangmen)**, Jiangmen, Guangdong (CN)

FOREIGN PATENT DOCUMENTS

(72) Inventor: **Jianming Huang**, Guangdong (CN)

EM 002097642-0001 5/2012  
RU 62216 1/2006

(73) Assignee: **Anho Houseware Co., Ltd.**  
**(Jiangmen)**, Jiangmen, Guangdong (CN)

OTHER PUBLICATIONS

(\*\*) Term: **14 Years**

Official Action of Substantive Examination and English counterpart,  
in Russian Application No. 2013502971, Jun. 6, 2014, 7 pages.

(21) Appl. No.: **29/461,770**

\* cited by examiner

(22) Filed: **Jul. 26, 2013**

*Primary Examiner* — Cynthia Underwood

(30) **Foreign Application Priority Data**

(74) *Attorney, Agent, or Firm* — Faegre Baker Daniels LLP

Jan. 30, 2013 (CN) ..... 2013 3 0028773

(57) **CLAIM**

(51) **LOC (10) CL.** ..... **08-05**

The ornamental design for a “square-shaped suction cup hanger.”

(52) **U.S. CL.**

**DESCRIPTION**

USPC ..... **D8/367**

(58) **Field of Classification Search**

USPC ..... D8/367, 354, 349, 373, 323; 248/301,  
248/302, 303, 304, 339

CPC ..... A47G 1/00; A47G 25/00

See application file for complete search history.

(56) **References Cited**

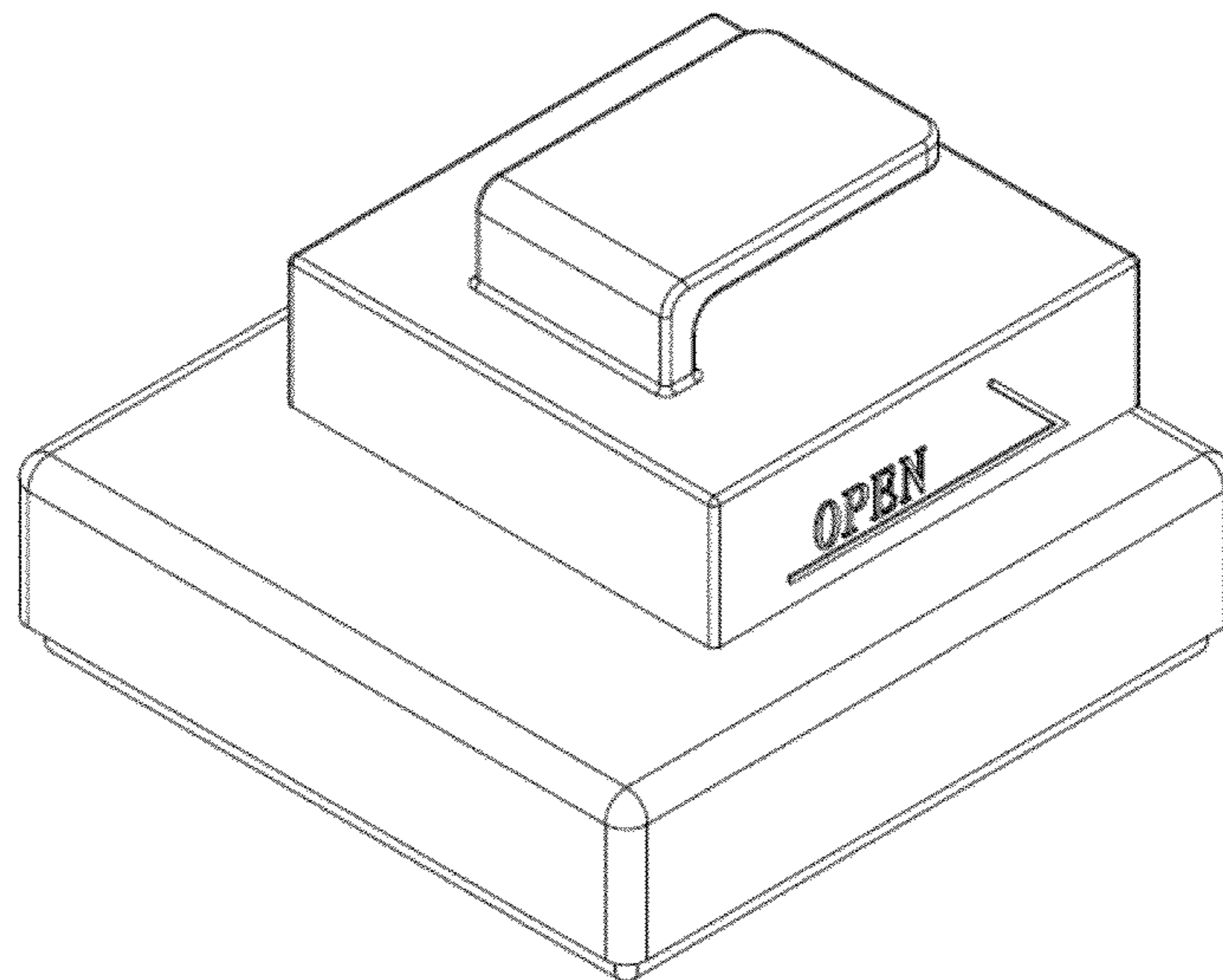
U.S. PATENT DOCUMENTS

2,912,117 A \* 11/1959 Clay ..... 211/88.04  
4,085,848 A \* 4/1978 Tsuge ..... 211/45  
5,170,982 A \* 12/1992 Schultheis et al. .... 248/316.3  
D345,497 S \* 3/1994 Miller ..... D8/367  
D393,878 S \* 4/1998 Suzuki ..... D19/65  
D487,289 S \* 3/2004 Richter ..... D19/90  
D543,753 S \* 6/2007 Gunderson ..... D6/547  
D554,483 S \* 11/2007 Hager et al. .... D8/367  
D576,475 S \* 9/2008 Didehvar ..... D8/373  
D589,332 S \* 3/2009 Bevirt ..... D8/373

FIG. 1 is a front view of a square-shaped suction cup hanger according to the present application;  
FIG. 2 is a rear view of the square-shaped suction cup hanger according to the present application;  
FIG. 3 is a left view of the square-shaped suction cup hanger according to the present application;  
FIG. 4 is a right view of the square-shaped suction cup hanger according to the present application;  
FIG. 5 is a top view of the square-shaped suction cup hanger according to the present application;  
FIG. 6 is a bottom view of the square-shaped suction cup hanger according to the present application; and,  
FIG. 7 is a perspective view of the square-shaped suction cup hanger according to the present application.

The portions of the square-shaped suction cup hanger shown in broken lines in FIG. 6 form no part of the claimed design.

**1 Claim, 5 Drawing Sheets**



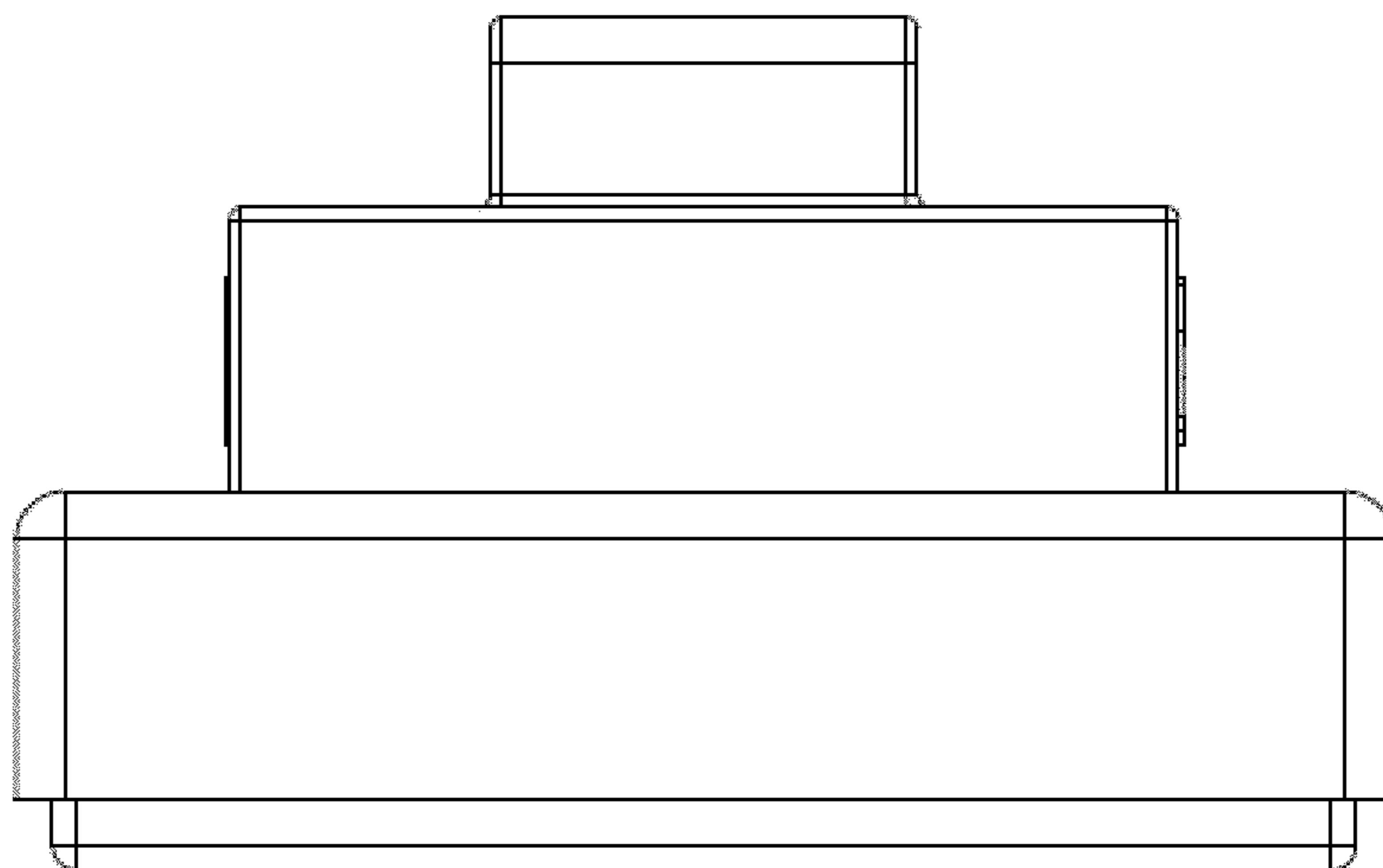


Figure 1

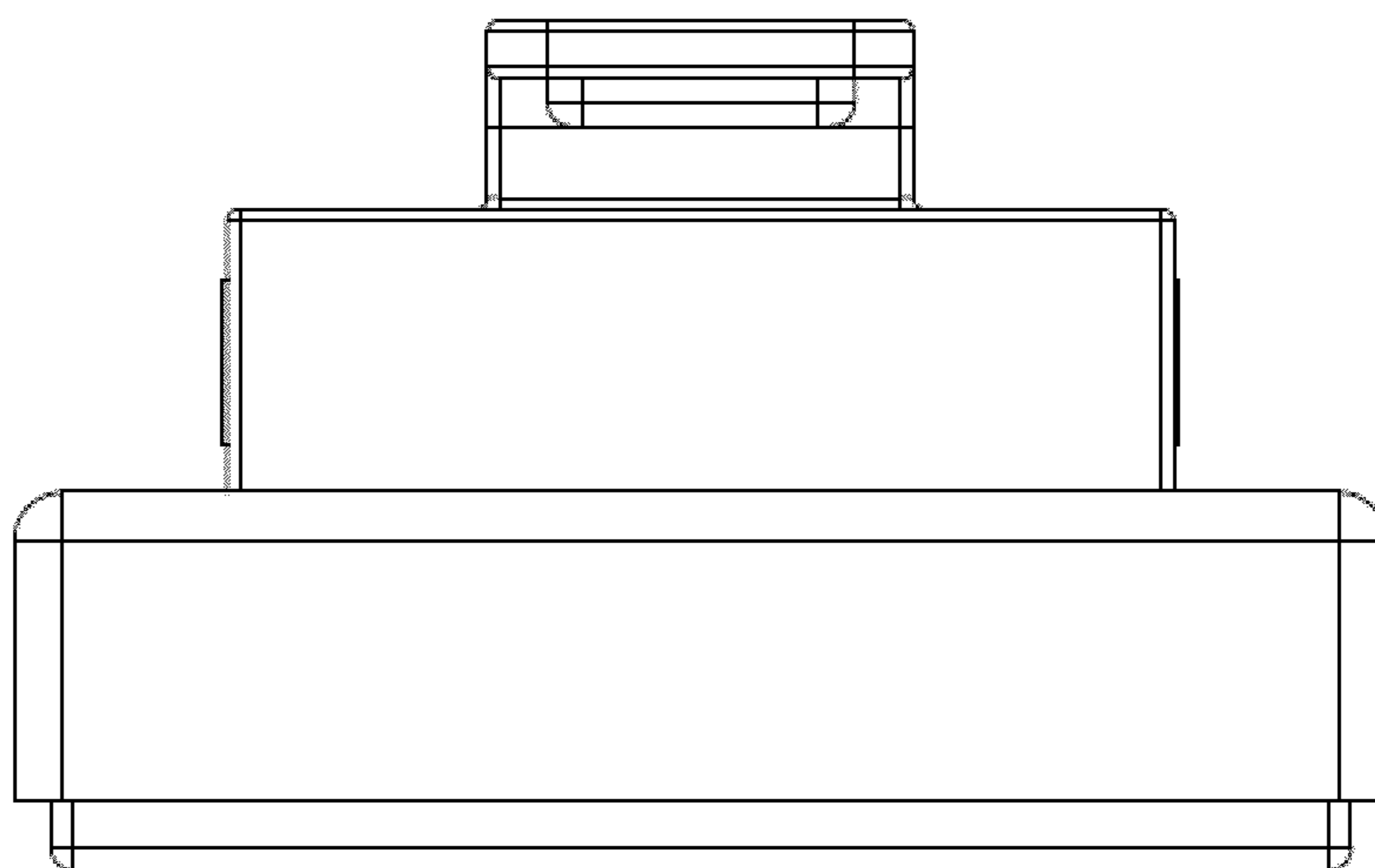


Figure 2

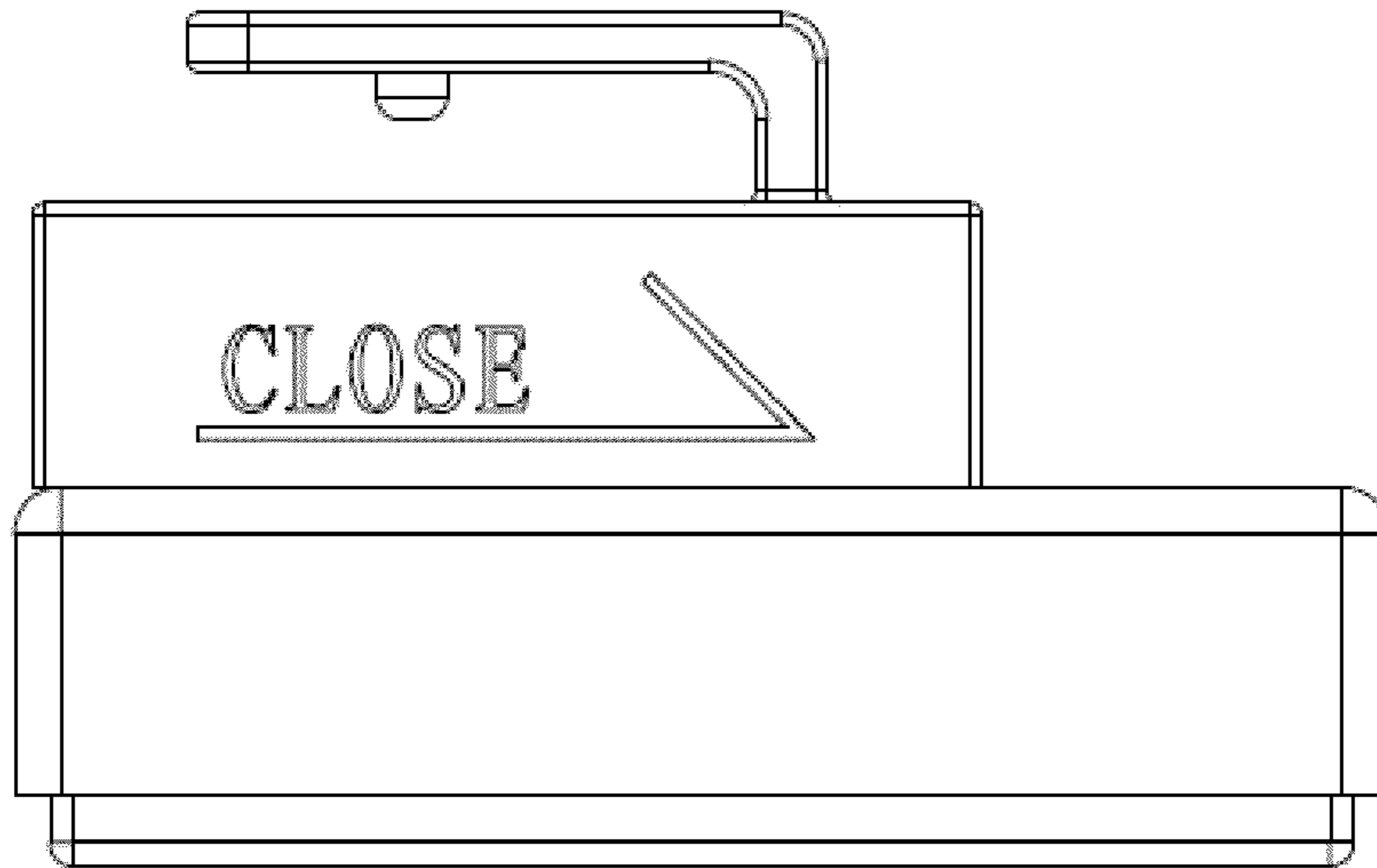


Figure 3

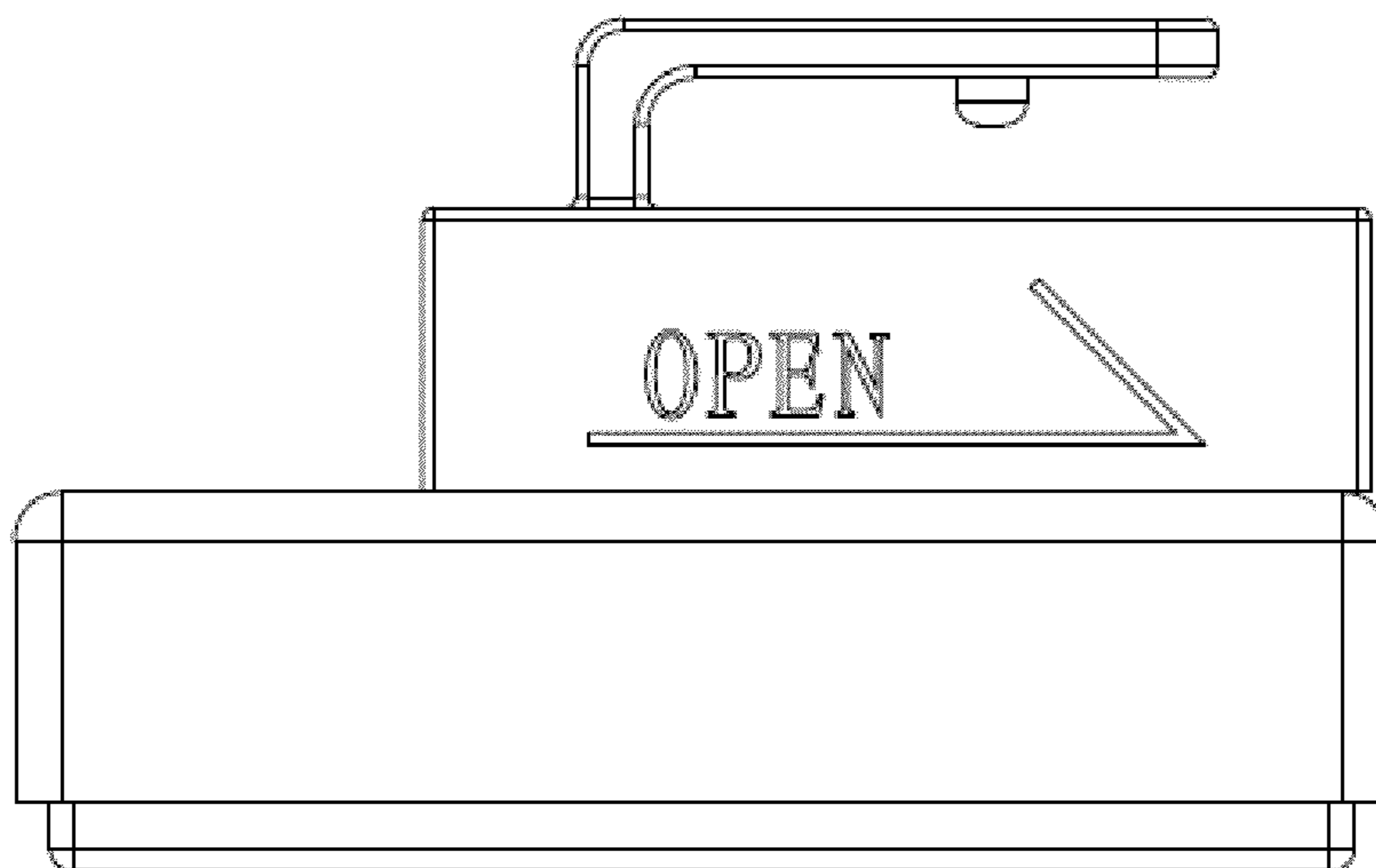


Figure 4

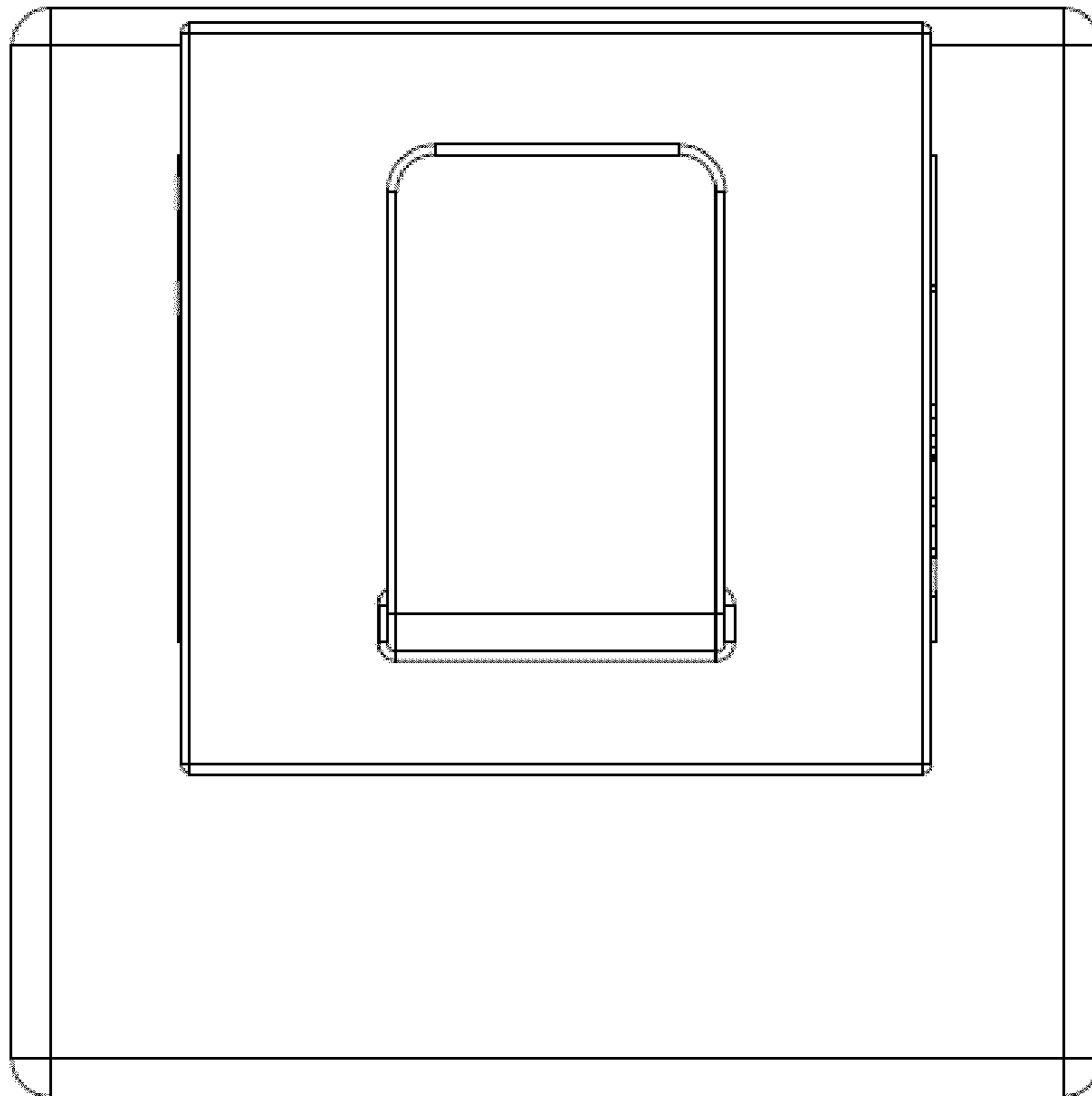


Figure 5

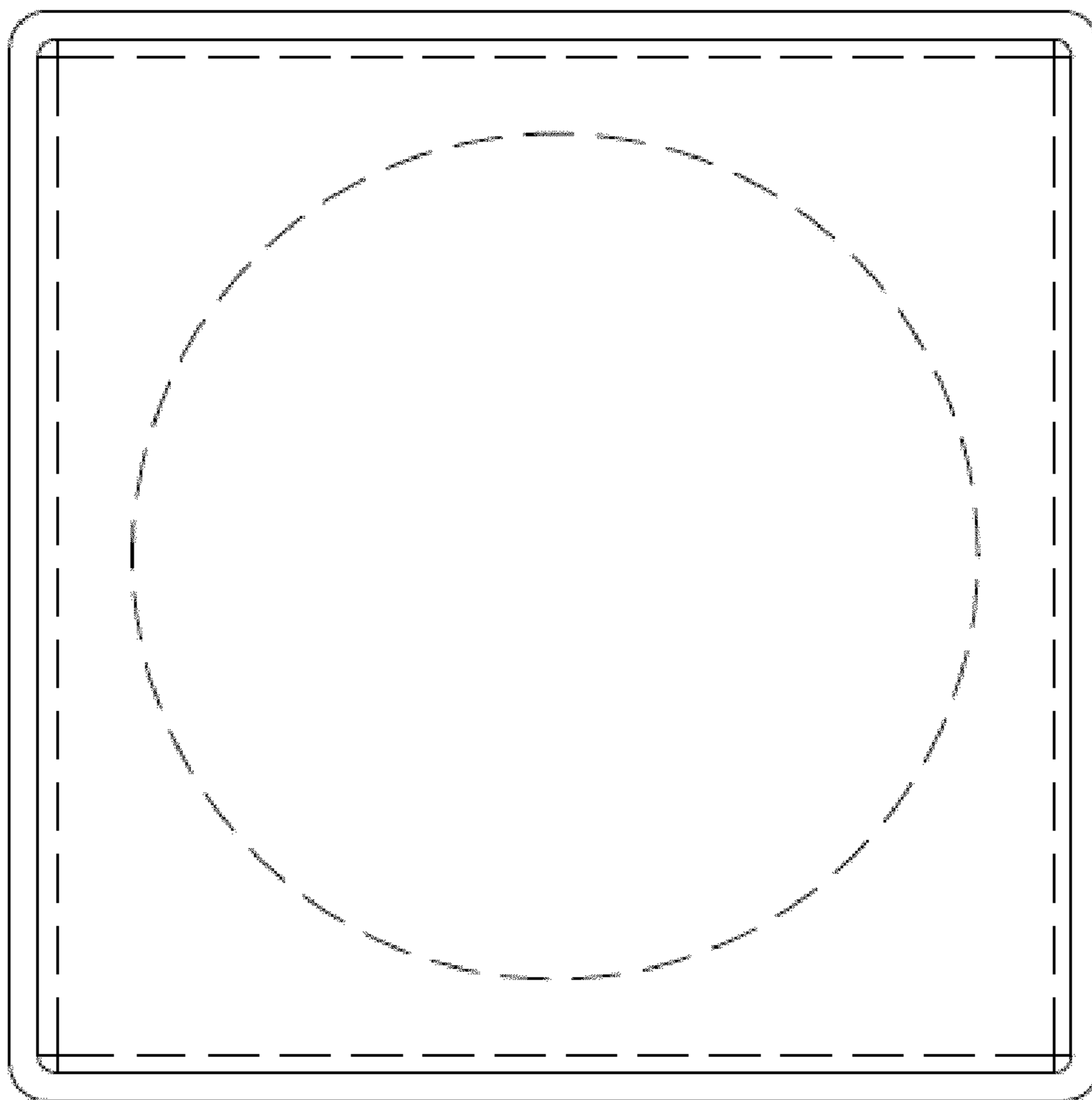


Figure 6

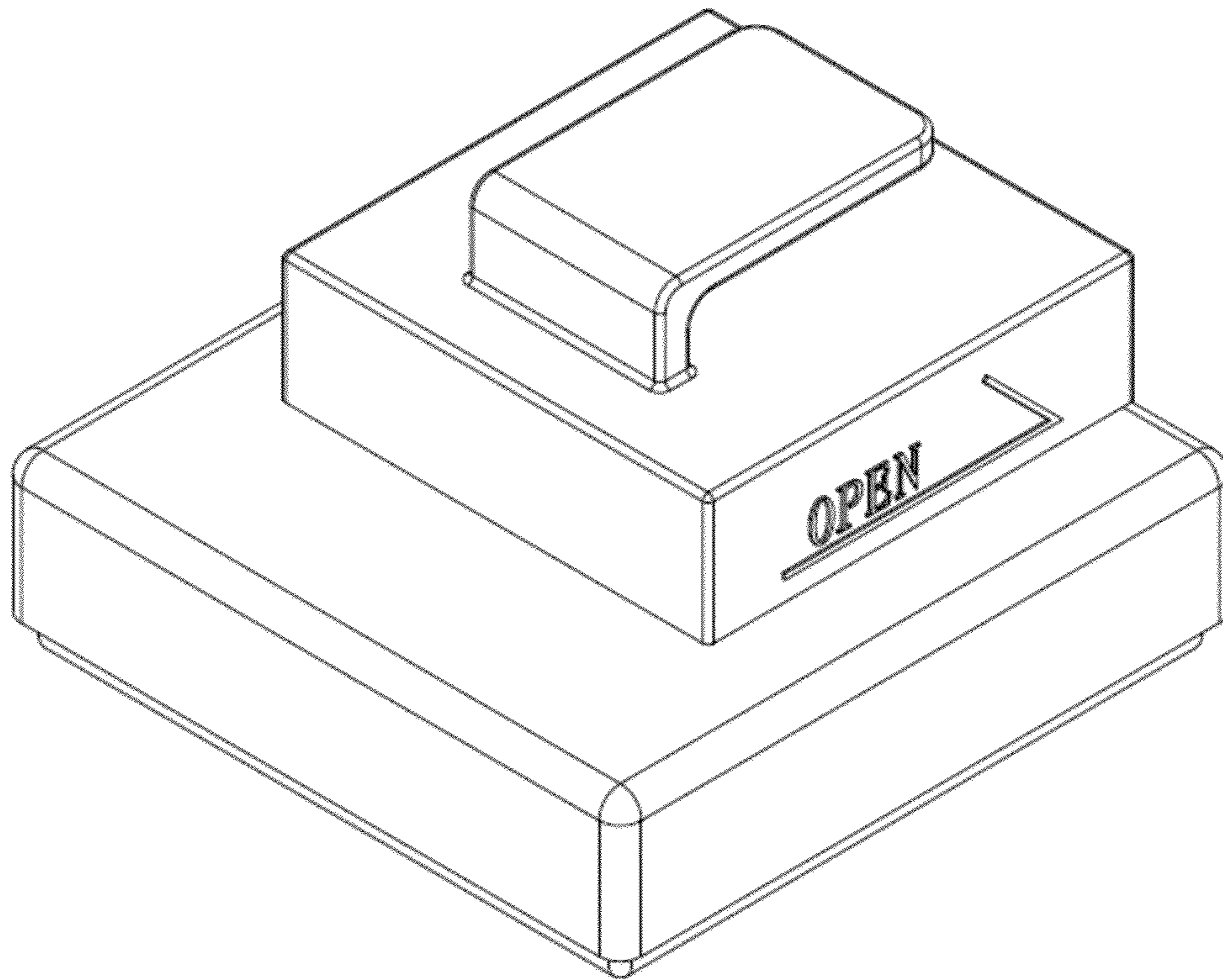


Figure 7