



US00D758831S

(12) **United States Design Patent**
Kalka et al.

(10) **Patent No.:** **US D758,831 S**
(45) **Date of Patent:** **** Jun. 14, 2016**

(54) **MOUNTING SYSTEM FOR HEALTHCARE PRODUCTS**

- (71) Applicant: **KONINKLIJKE PHILIPS N.V.**,
Eindhoven (NL)
- (72) Inventors: **Roman Oliver Kalka**, Stuttgart (DE);
Stefan Melles, Stuttgart (DE)
- (73) Assignee: **KONINKLIJKE PHILIPS N.V.**,
Eindhoven (NL)
- (**) Term: **14 Years**
- (21) Appl. No.: **29/483,034**
- (22) Filed: **Feb. 25, 2014**

- (30) **Foreign Application Priority Data**
Aug. 26, 2013 (EM) 002296731-0001
- (51) **LOC (10) Cl.** **08-05**
- (52) **U.S. Cl.**
USPC **D8/354**
- (58) **Field of Classification Search**
USPC D8/349, 354, 373, 380
CPC A47F 5/00; A47H 1/10; A47G 29/00;
A47G 29/08
See application file for complete search history.

(56) **References Cited**

U.S. PATENT DOCUMENTS

2,753,054 A *	7/1956	Becher	A47G 29/08 211/73
3,838,841 A *	10/1974	Cadman	A47G 29/08 108/46
4,334,621 A *	6/1982	Weber	A47G 29/08 211/70.3
D628,539 S *	12/2010	Tezak	D13/152
D682,079 S *	5/2013	Chou	D8/380

* cited by examiner

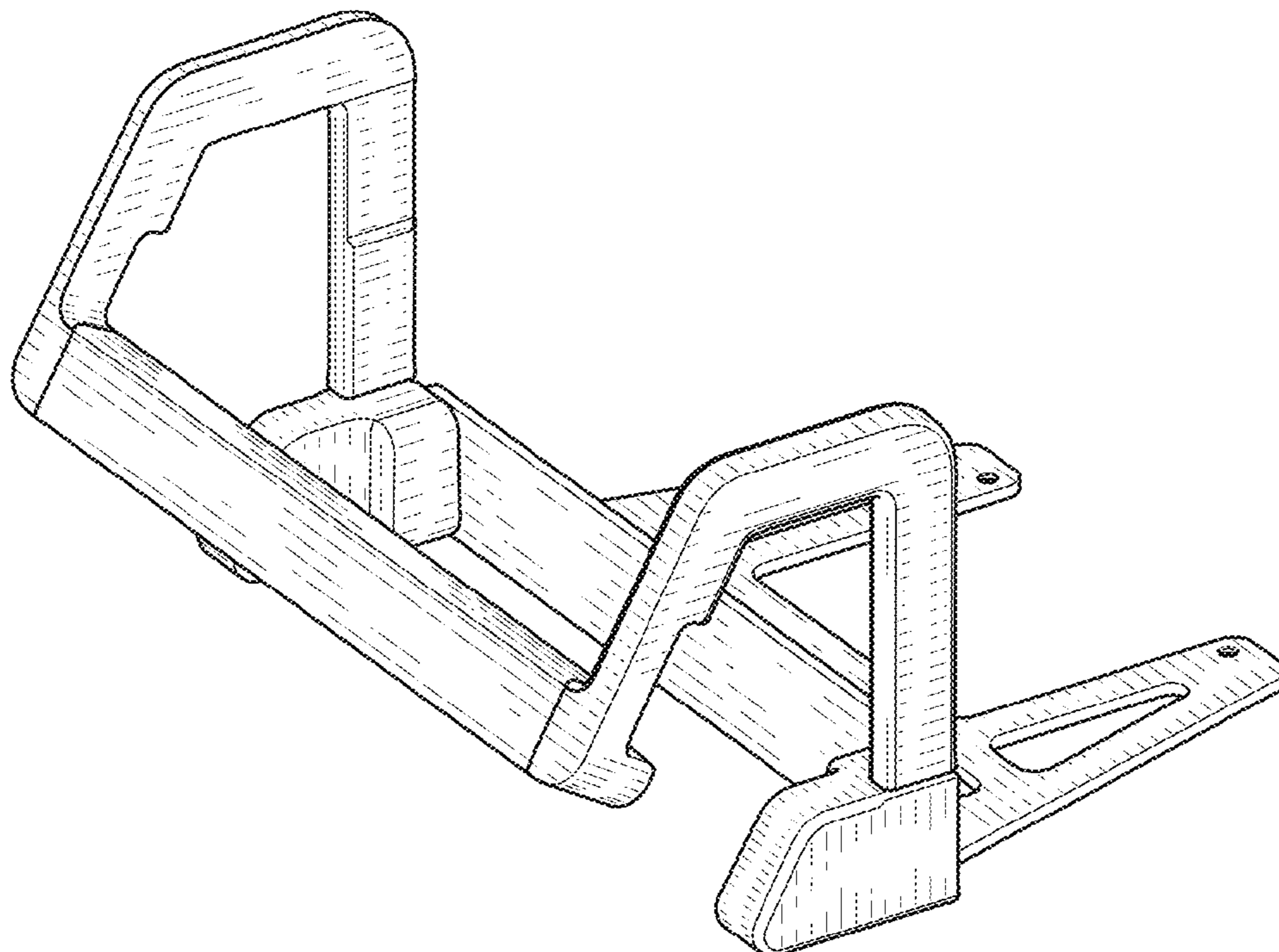
Primary Examiner — Holly Baynham

(57) **CLAIM**
The ornamental design for a mounting system for healthcare products, as shown and described.

DESCRIPTION

FIG. 1 is a perspective view showing my design;
 FIG. 2 is a front elevational view thereof;
 FIG. 3 is a rear elevational view thereof;
 FIG. 4 is a right side elevational view thereof;
 FIG. 5 is a left side elevational view thereof;
 FIG. 6 is a top plan view thereof; and,
 FIG. 7 is a bottom plan view thereof.
 The broken lines are included for the purpose of illustrating unclaimed portions of the mounting system for healthcare products and forms no part of the claimed design.

1 Claim, 5 Drawing Sheets



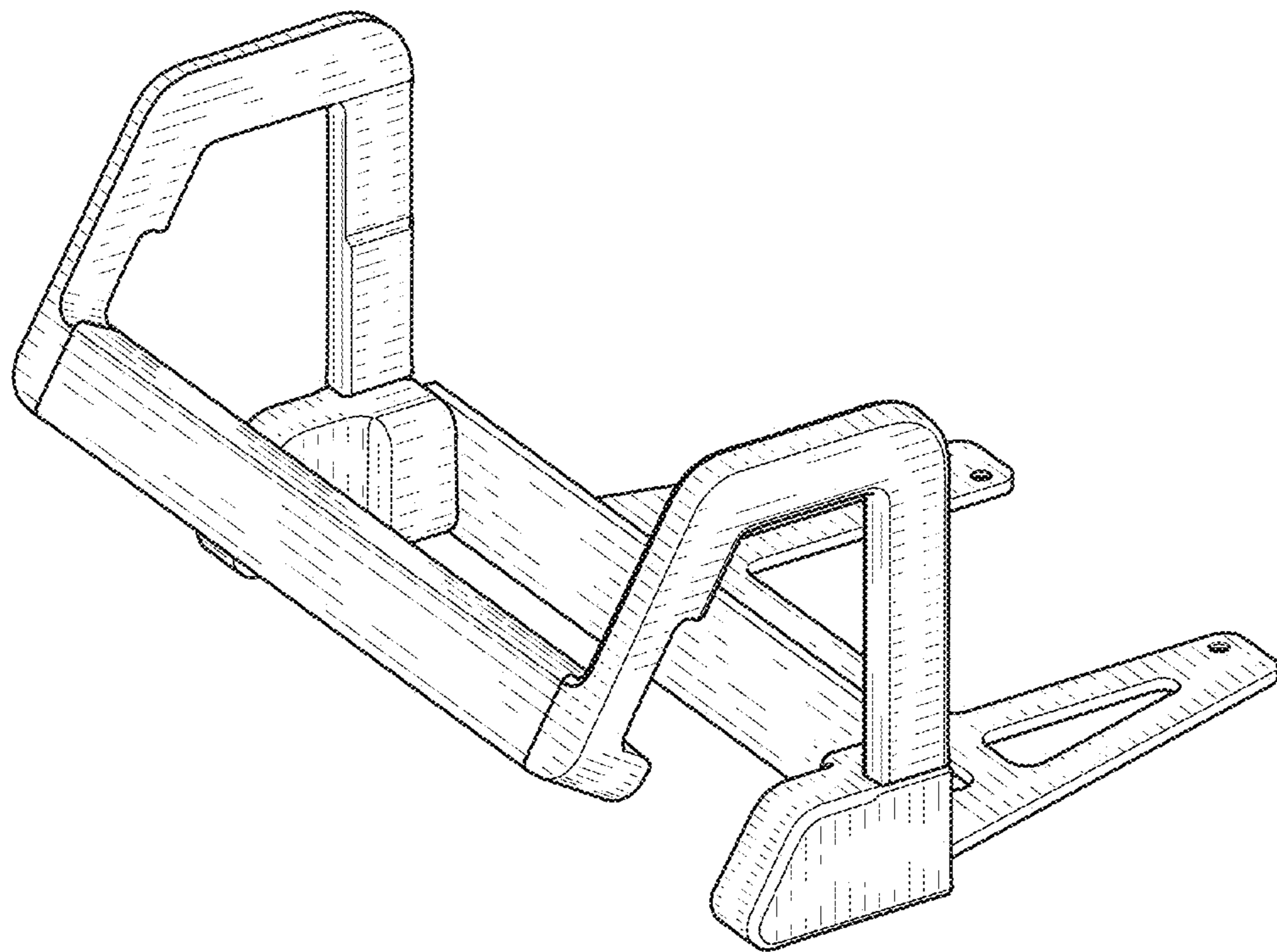


FIG. 1

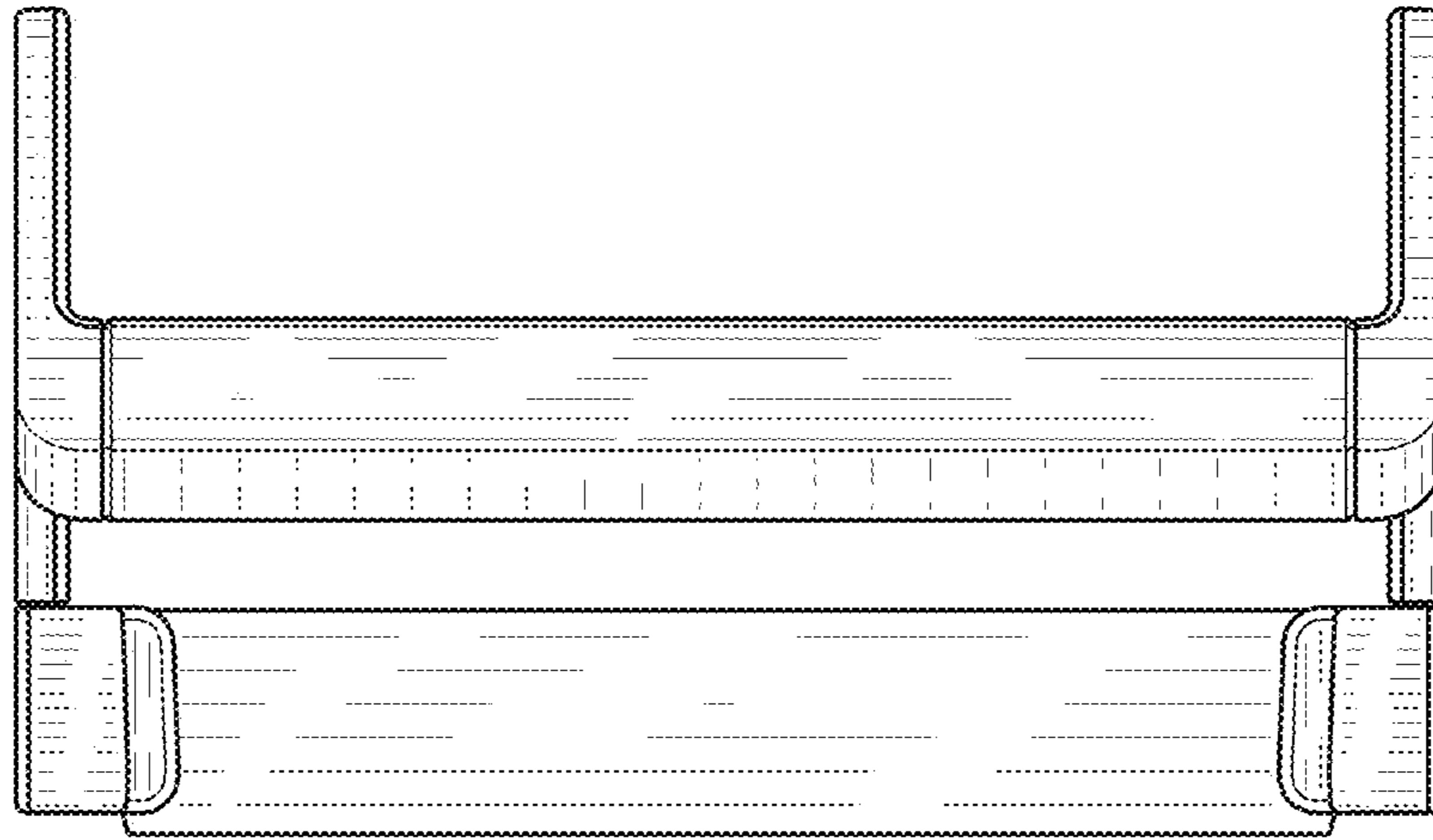


FIG. 2

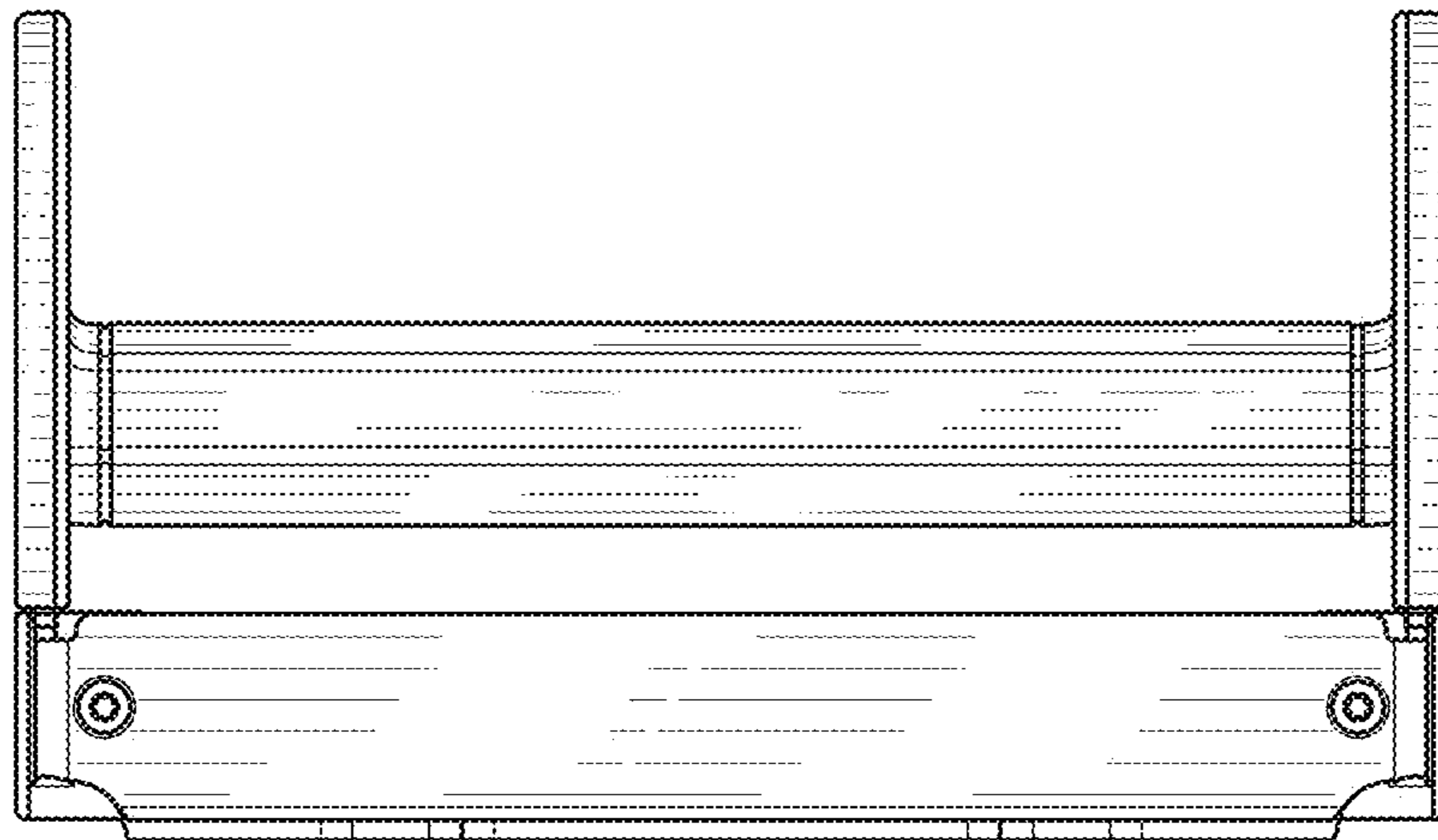


FIG. 3

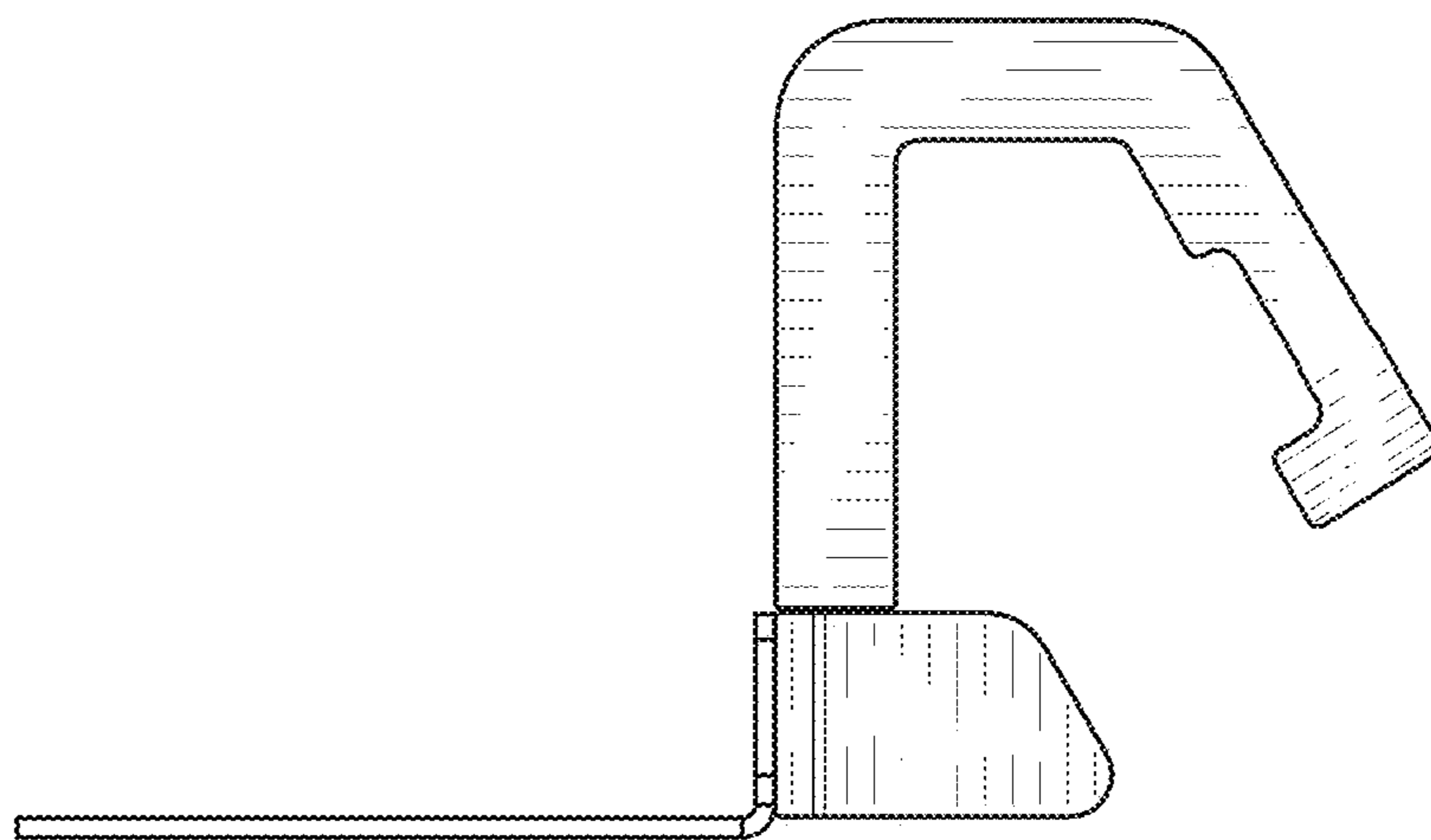


FIG. 4

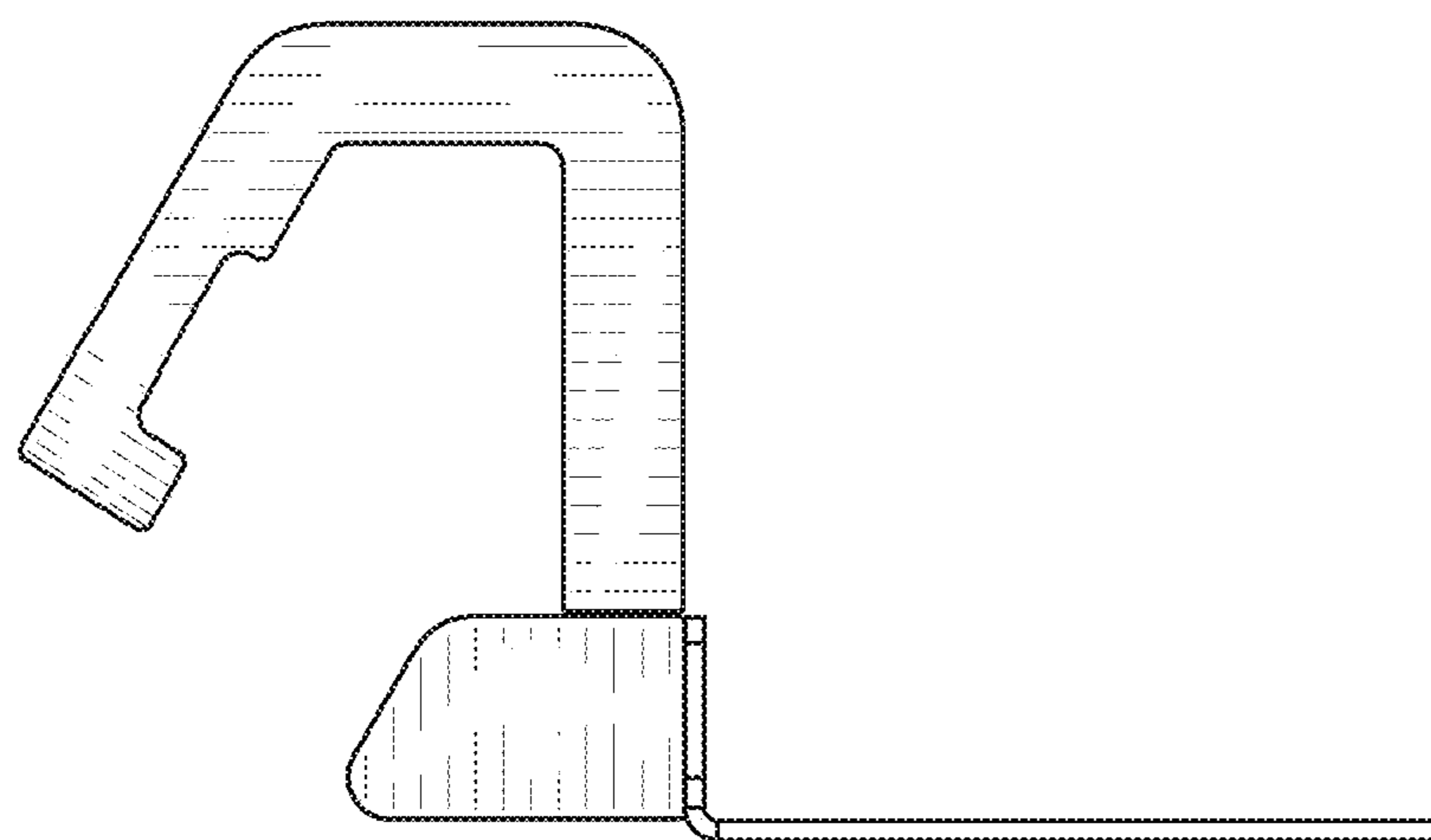


FIG. 5

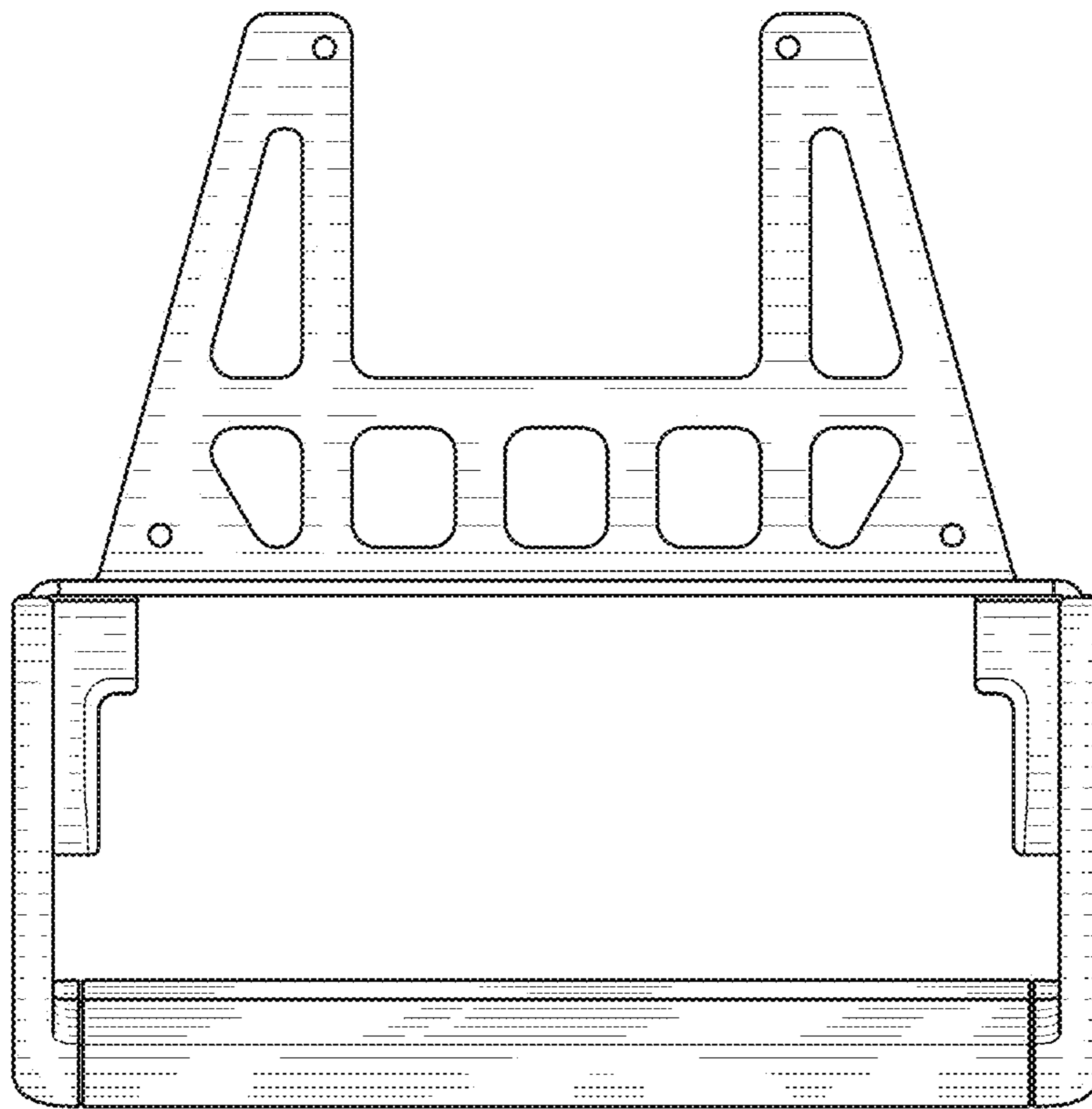


FIG. 6

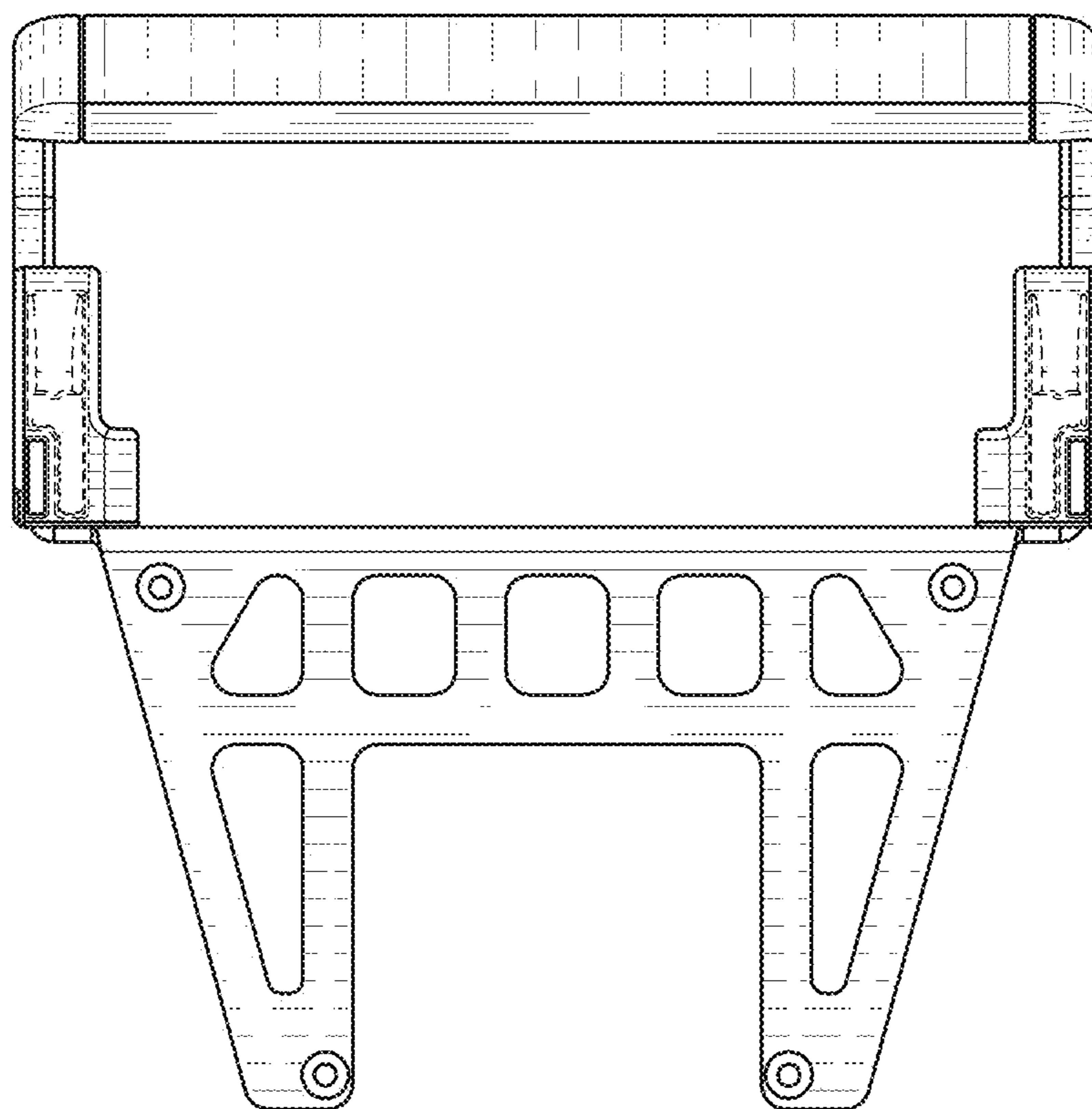


FIG. 7