



US00D758829S

(12) **United States Design Patent**
Bennett

(10) **Patent No.:** **US D758,829 S**
(45) **Date of Patent:** **** Jun. 14, 2016**

- (54) **HINGE FOR A TIRE CARRIER**
- (71) Applicant: **Omix-Ada, Inc.**, Suwanee, GA (US)
- (72) Inventor: **Patrick W. Bennett**, Gainesville, GA (US)
- (73) Assignee: **Omix-Ada, Inc.**, Suwanee, GA (US)
- (**) Term: **14 Years**
- (21) Appl. No.: **29/508,105**
- (22) Filed: **Nov. 3, 2014**
- (51) **LOC (10) Cl.** **08-06**
- (52) **U.S. Cl.**
USPC **D8/328**
- (58) **Field of Classification Search**
USPC D8/323, 328; 16/250, 338, 227
CPC E05D 5/12; E05D 11/082; E05D 1/02;
B64G 1/222; B60N 2/01508
See application file for complete search history.

- D652,706 S * 1/2012 Osaki D8/323
- 8,528,976 B2 * 9/2013 Wimberley B60N 2/01508
24/275
- D698,224 S * 1/2014 Ridges D8/331
- D707,100 S * 6/2014 Kinsky D8/331
- D708,043 S * 7/2014 Sonnendorfer D8/343

* cited by examiner

Primary Examiner — Cynthia Underwood

(74) *Attorney, Agent, or Firm* — Womble Carlyle Sandridge & Rice LLP

(57) **CLAIM**

The ornamental design for a hinge for a tire carrier, as shown and described.

DESCRIPTION

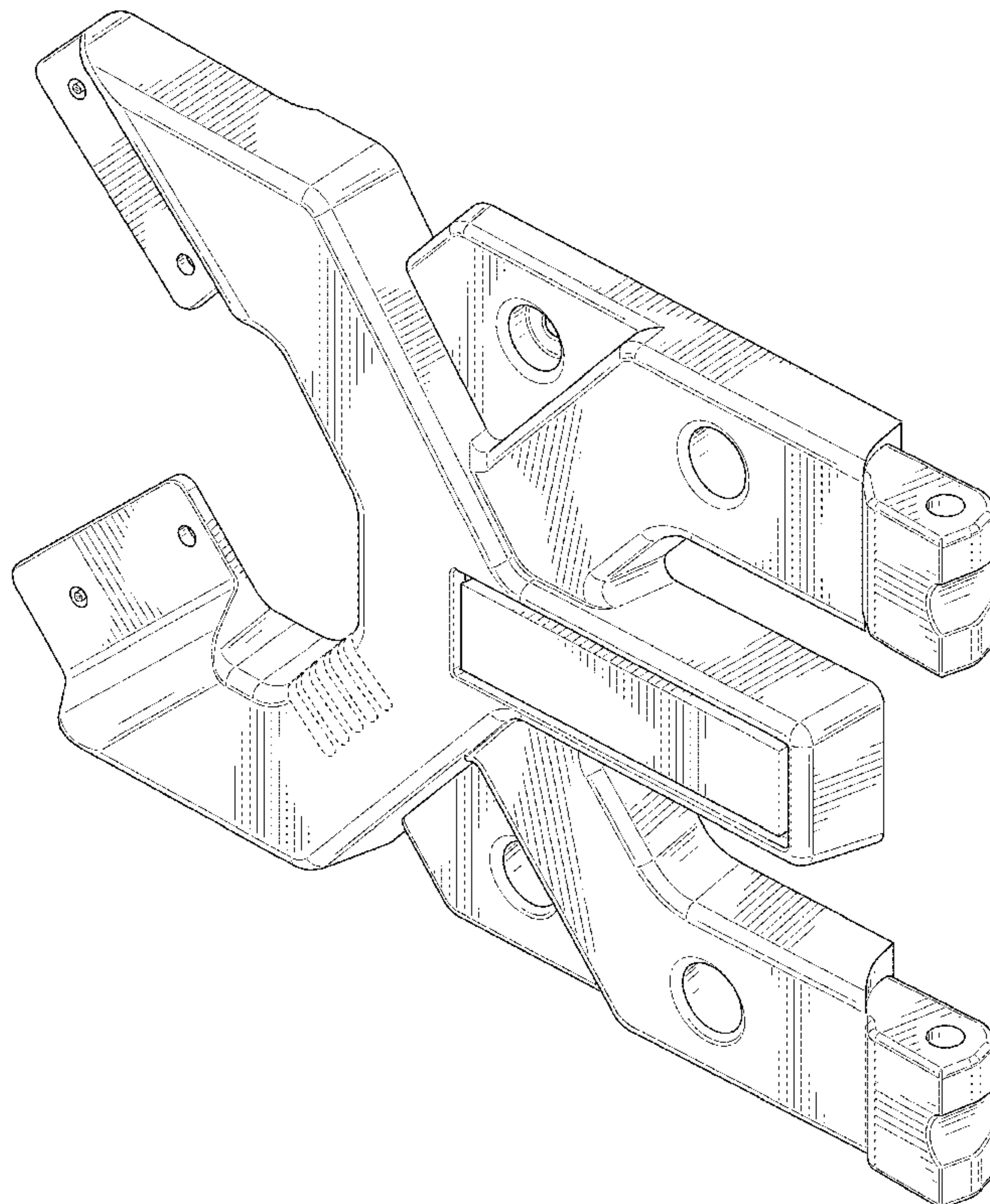
FIG. 1 is a perspective view of a hinge for a tire carrier showing my new design.
 FIG. 2 is a front view thereof.
 FIG. 3 is a back view thereof.
 FIG. 4 is a right side view thereof.
 FIG. 5 is a left side view thereof.
 FIG. 6 is a top view thereof; and,
 FIG. 7 is a bottom view thereof.
 The broken lines illustrate portions of the hinge for a tire carrier that form no part of the claimed design.

1 Claim, 5 Drawing Sheets

(56) **References Cited**

U.S. PATENT DOCUMENTS

- 6,062,623 A * 5/2000 Lemmen B60R 7/04
224/282
- D548,044 S * 8/2007 Tang D8/323



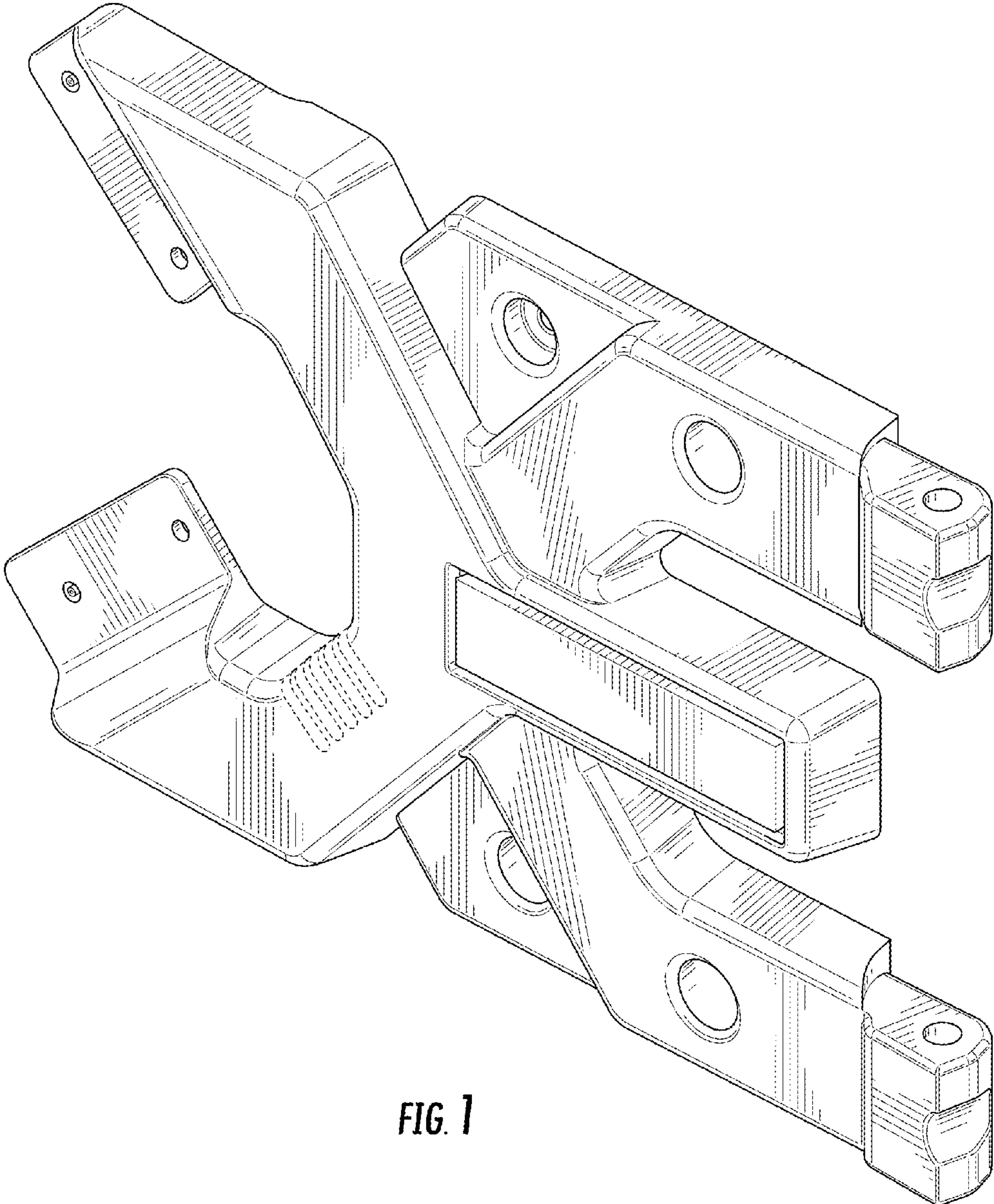


FIG. 1

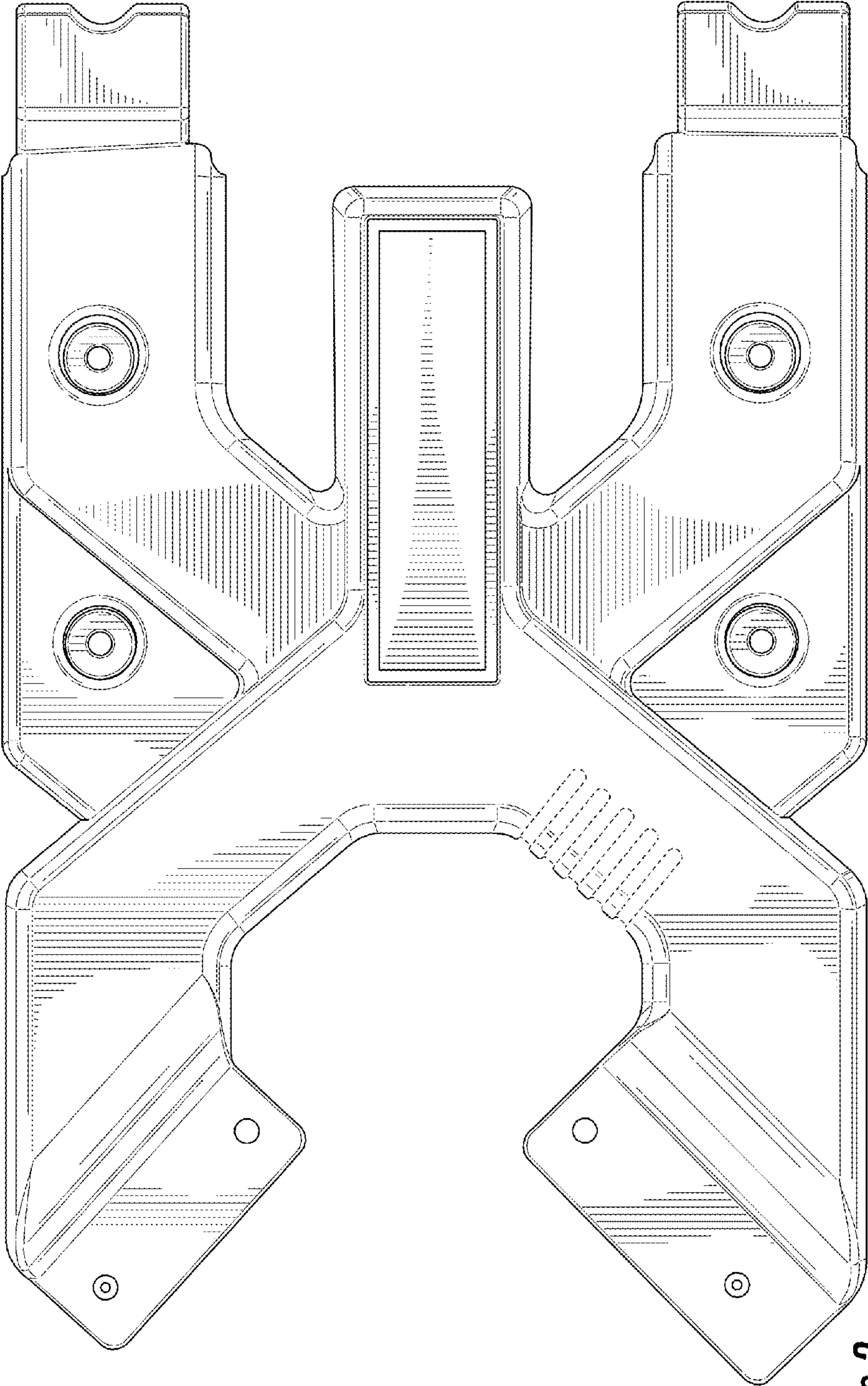


FIG. 2

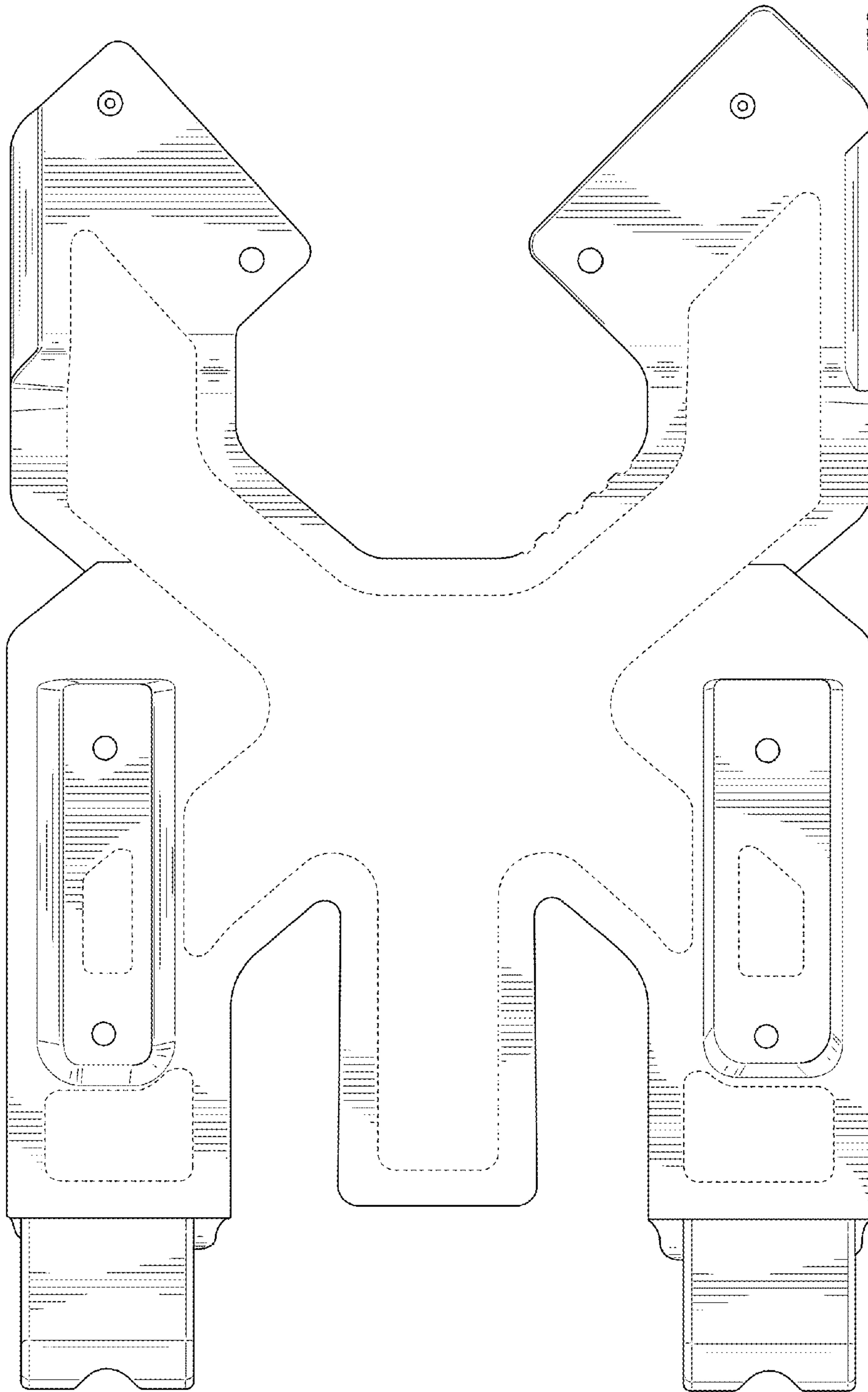


FIG. 3

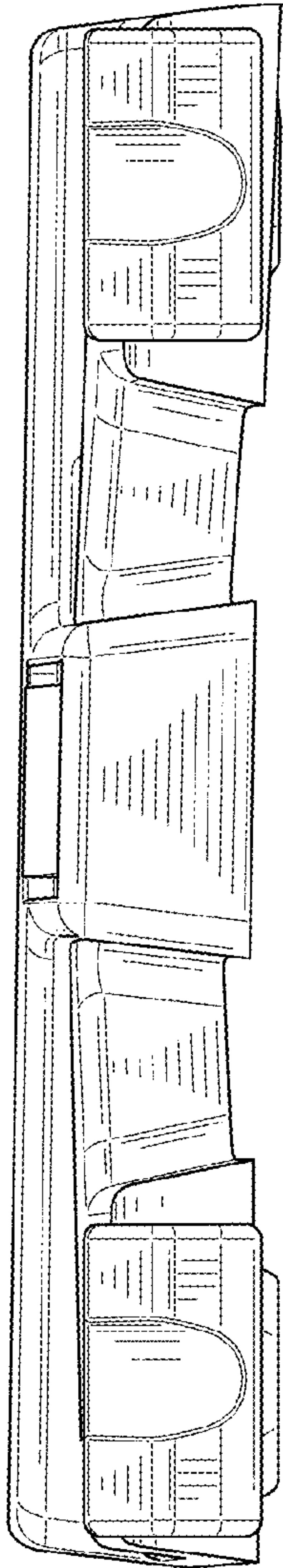


FIG. 4

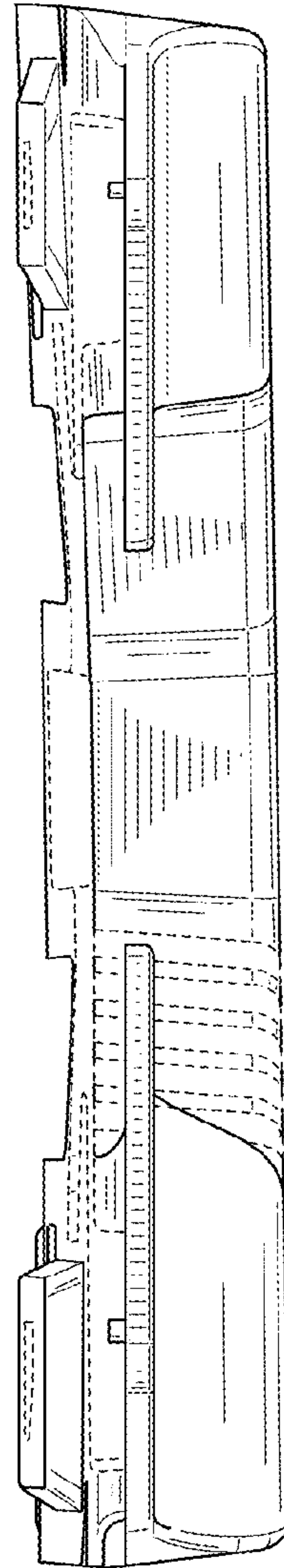


FIG. 5

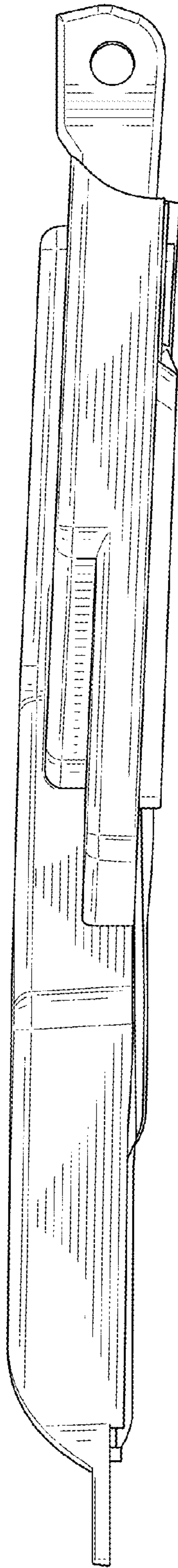


FIG. 6

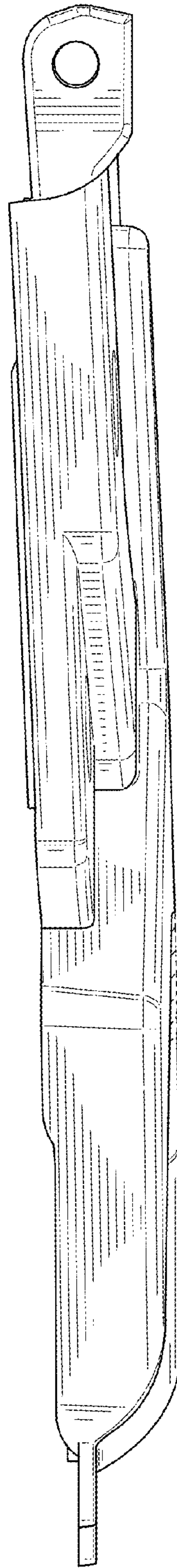


FIG. 7