



US00D758828S

(12) **United States Design Patent**
Corpuz, Jr. et al.

(10) **Patent No.:** **US D758,828 S**
(45) **Date of Patent:** **** Jun. 14, 2016**

(54) **HINGE**

(71) Applicant: **Kohler Co.**, Kohler, WI (US)

(72) Inventors: **Roque M. Corpuz, Jr.**, Sheboygan, WI (US); **Greg L. Parris**, Medina, TN (US); **Adam M. Moller**, Sheboygan, WI (US); **Karger D. Kohler**, Kohler, WI (US); **James L. Marlowe**, Troy, TN (US); **Alan T. McDonald**, Sheboygan, WI (US)

(73) Assignee: **KOHLER CO.**, Kohler, WI (US)

(**) Term: **15 Years**

(21) Appl. No.: **29/531,575**

(22) Filed: **Jun. 26, 2015**

Related U.S. Application Data

(62) Division of application No. 29/471,327, filed on Oct. 30, 2013, now Pat. No. Des. 734,124.

(51) **LOC (10) Cl.** **08-06**

(52) **U.S. Cl.**
USPC **D8/323**

(58) **Field of Classification Search**
USPC D8/367, 354, 349, 389; 248/301, 302, 248/303, 304, 339; 24/132 R
CPC E06B 1/00; E05D 3/00
See application file for complete search history.

(56) **References Cited**

U.S. PATENT DOCUMENTS

D611,801 S *	3/2010	Chustak	D8/355
D712,717 S	9/2014	Thrush et al.		
D715,620 S	10/2014	Tung		
D717,634 S	11/2014	Lu		
D725,990 S *	4/2015	Zheng	D8/323
D737,113 S *	8/2015	Held	D8/323
D744,313 S *	12/2015	Lu	D8/323

* cited by examiner

Primary Examiner — Cynthia Underwood

(74) *Attorney, Agent, or Firm* — Foley & Lardner LLP

(57) **CLAIM**

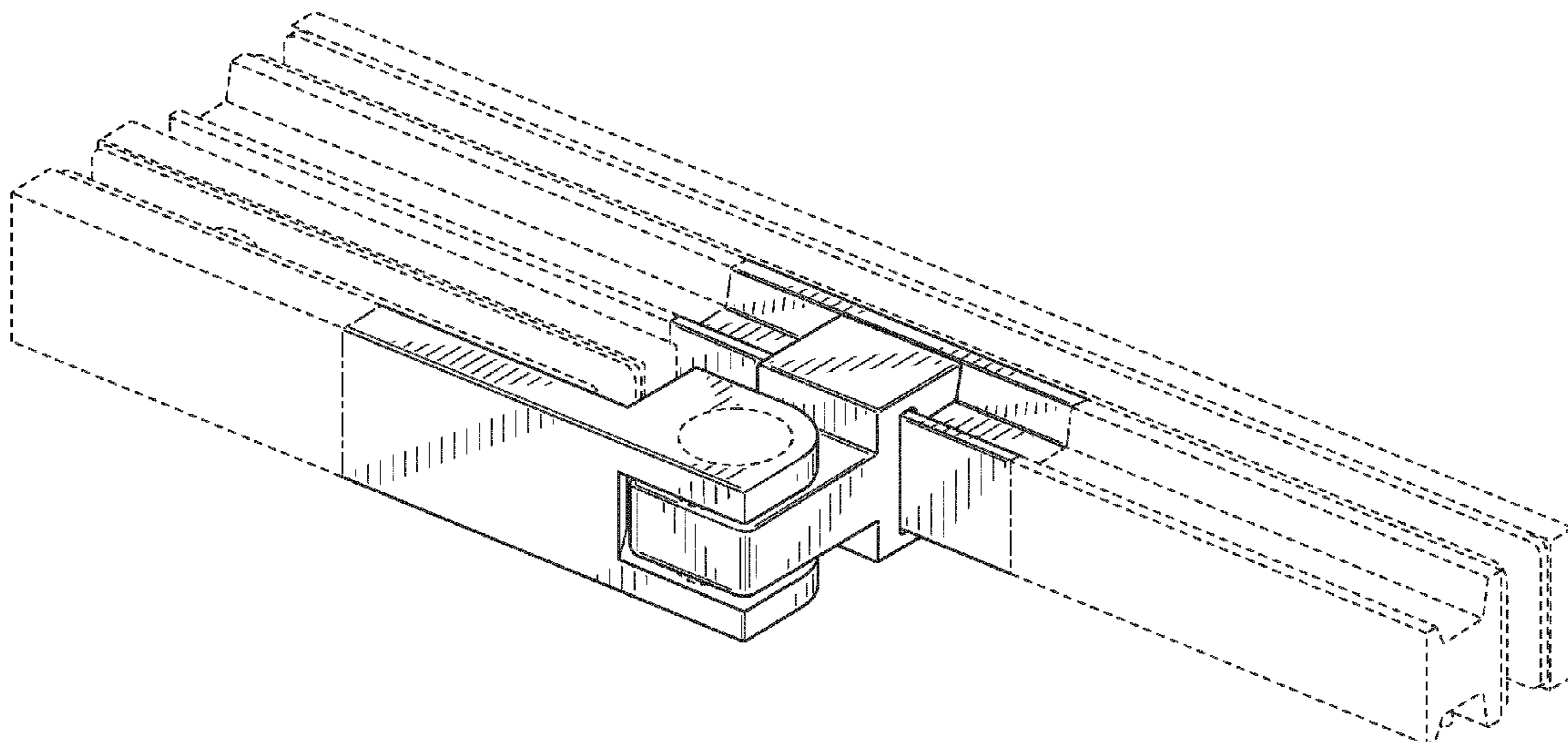
We claim the ornamental design for a hinge, as shown and described.

DESCRIPTION

FIG. 1 is a perspective view of the claimed design; FIG. 2 is a front view of the embodiment of the claimed design shown in FIG. 1; FIG. 3 is a rear view of the embodiment of the claimed design shown in FIG. 1; FIG. 4 is a top view of the embodiment of the claimed design shown in FIG. 1; FIG. 5 is a bottom view of the embodiment of the claimed design shown in FIG. 1; FIG. 6 is a side view of the embodiment of the claimed design shown in FIG. 1; and, FIG. 7 is another side view of the embodiment of the claimed design shown in FIG. 1.

The broken lines depict environmental subject matter and form no part of the claim. The dash-dot lines form boundaries of the claimed design.

1 Claim, 5 Drawing Sheets



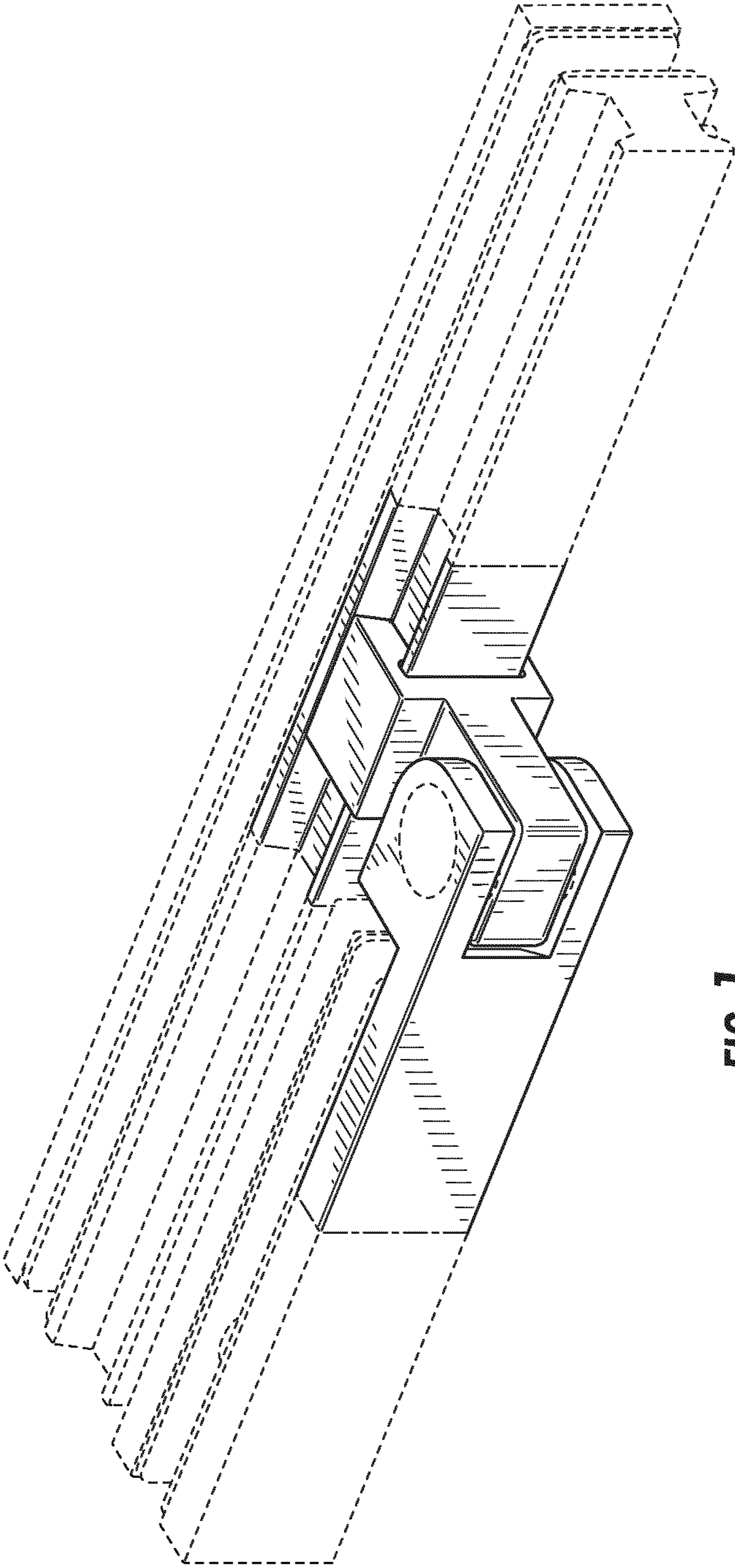


FIG. 1

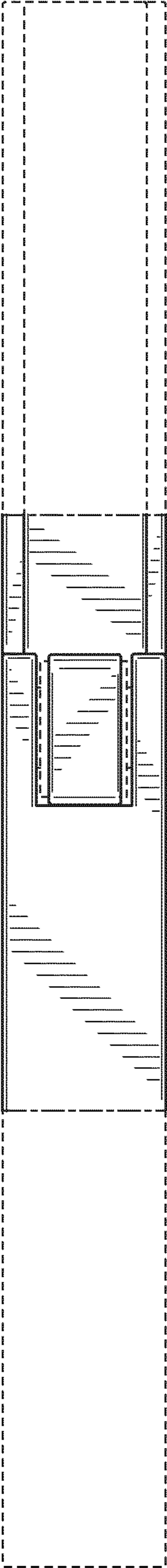


FIG. 2

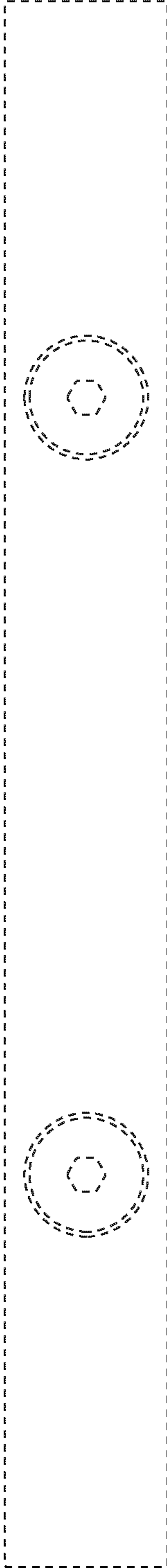


FIG. 3

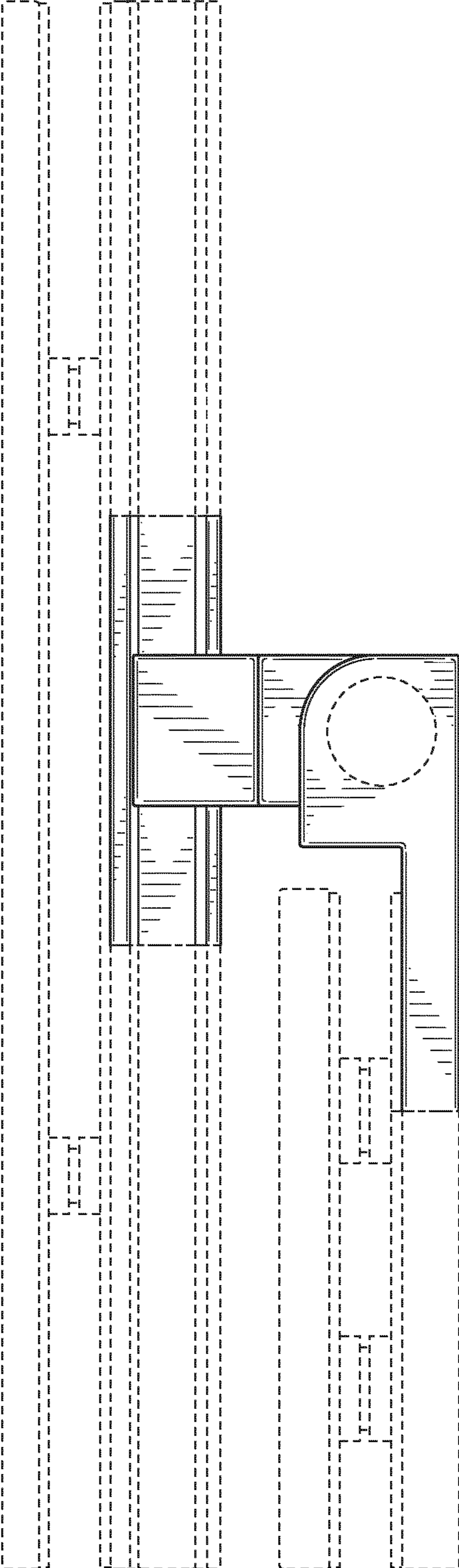


FIG. 4

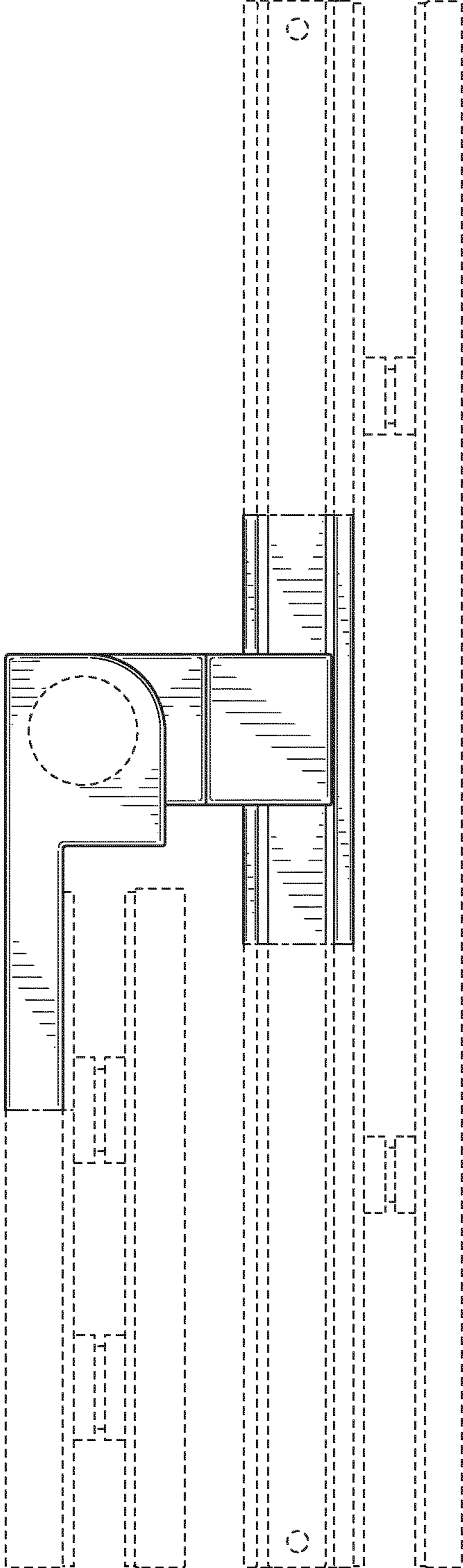


FIG. 5

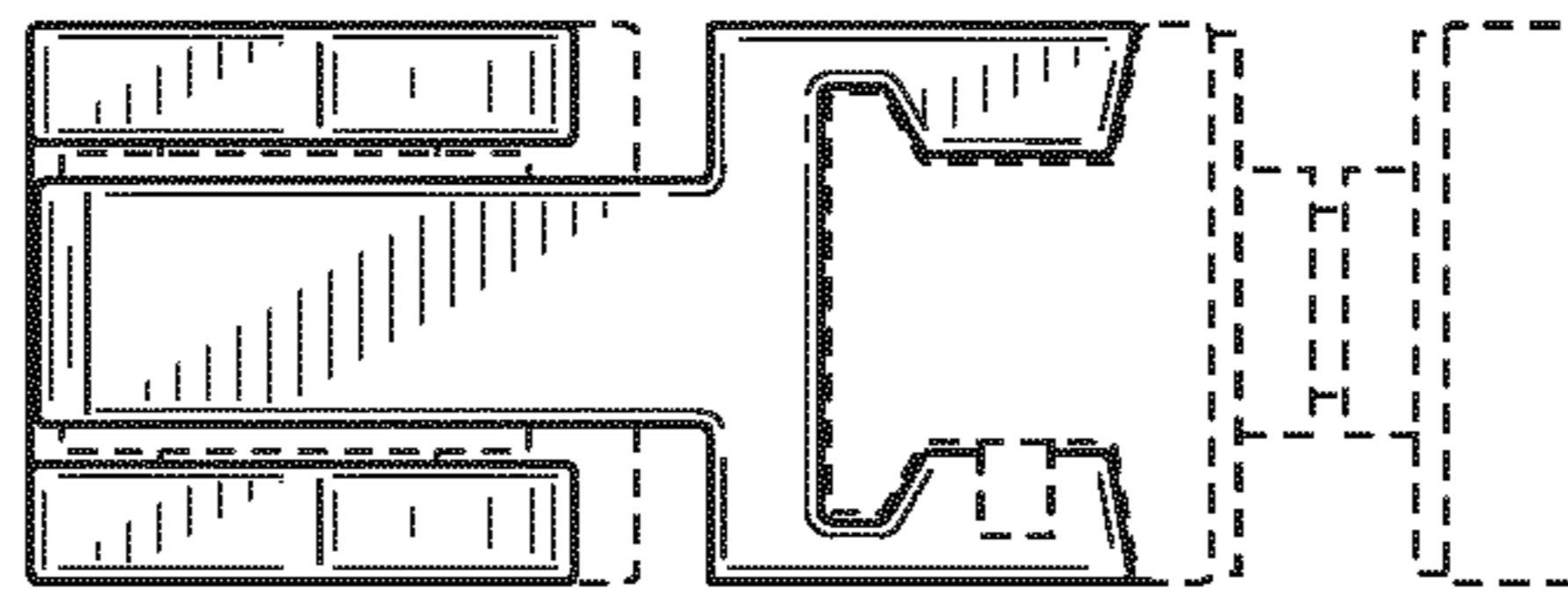


FIG. 6

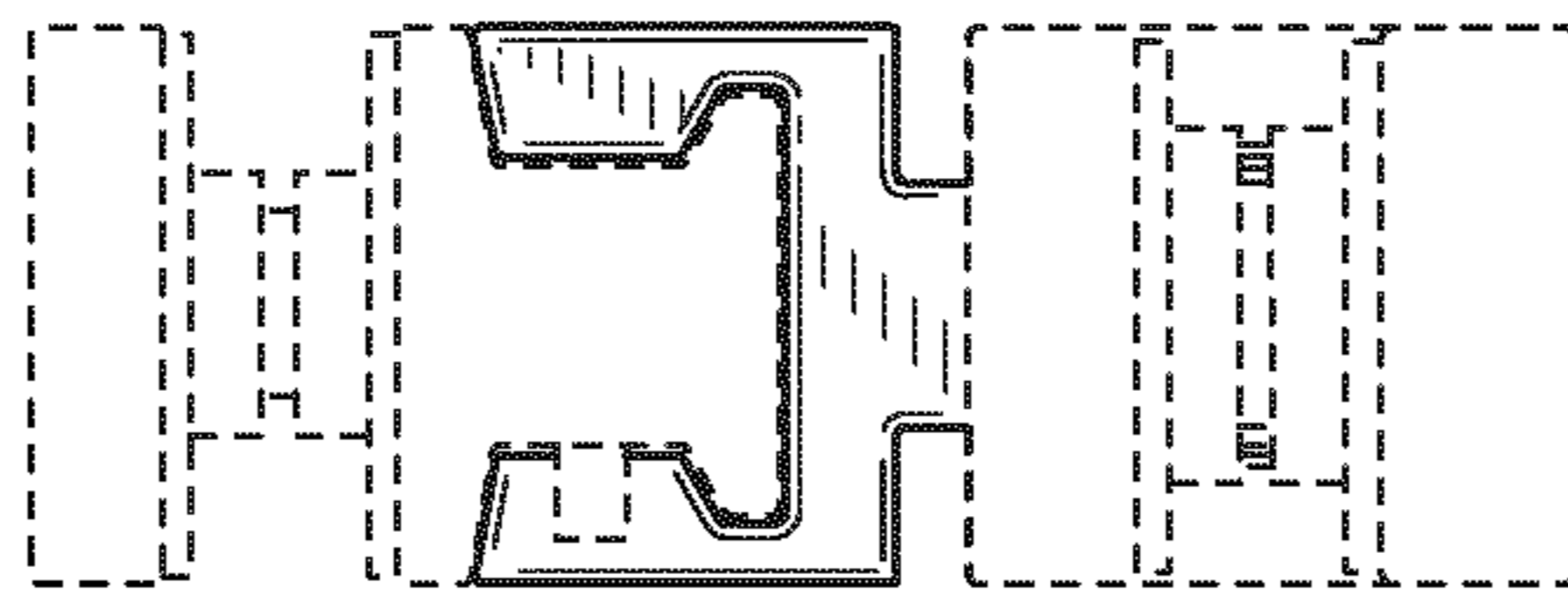


FIG. 7