



US00D758827S

(12) **United States Design Patent**
Grasselli et al.

(10) **Patent No.:** **US D758,827 S**
(45) **Date of Patent:** **** Jun. 14, 2016**

(54) **HANDLE ASSEMBLY WITH A COLORED MEDALLION**

(71) Applicant: **Whirlpool Corporation**, Benton Harbor, MI (US)

(72) Inventors: **Dario Grasselli**, Comerio (IT); **Jason W. Tippetts**, Stevensville, MI (US)

(73) Assignee: **Whirlpool Corporation**, Benton Harbor, MI (US)

(**) Term: **14 Years**

(21) Appl. No.: **29/433,141**

(22) Filed: **Sep. 26, 2012**

(51) **LOC (10) Cl.** **08-06**

(52) **U.S. Cl.**
USPC **D8/315**

(58) **Field of Classification Search**
USPC D8/300, 306, 308, 310, 315, 319, 321, D8/349, 350, 352, 353, 354, 355, 356, 359, D8/394; D6/518, 523, 524, 546, 549, 550, D6/575, 578, 580
CPC E05B 1/00; E05B 5/00; E05B 15/00; E05B 15/02; E05B 21/00; E05B 63/0056
See application file for complete search history.

(56) **References Cited**

U.S. PATENT DOCUMENTS

4,095,642	A *	6/1978	McKinnon et al.	160/332
D261,725	S *	11/1981	Stolarz	D8/321
D291,518	S *	8/1987	Chap	D6/523
D294,321	S *	2/1988	Olofsson	D6/580
D327,192	S *	6/1992	Geuvjehizian	D6/518
D334,315	S *	3/1993	Bengtson	D6/524
D334,682	S *	4/1993	Weeks	D6/575
D335,604	S *	5/1993	Lui et al.	D6/575
5,216,766	A *	6/1993	Lang	4/609

D350,252	S *	9/1994	Tacchella	D6/575
D373,041	S *	8/1996	Michaelson	D6/575
D374,167	S *	10/1996	Scholl	D8/363
5,632,062	A *	5/1997	Katz et al.	16/412
D386,923	S *	12/1997	Moore	D6/523

(Continued)

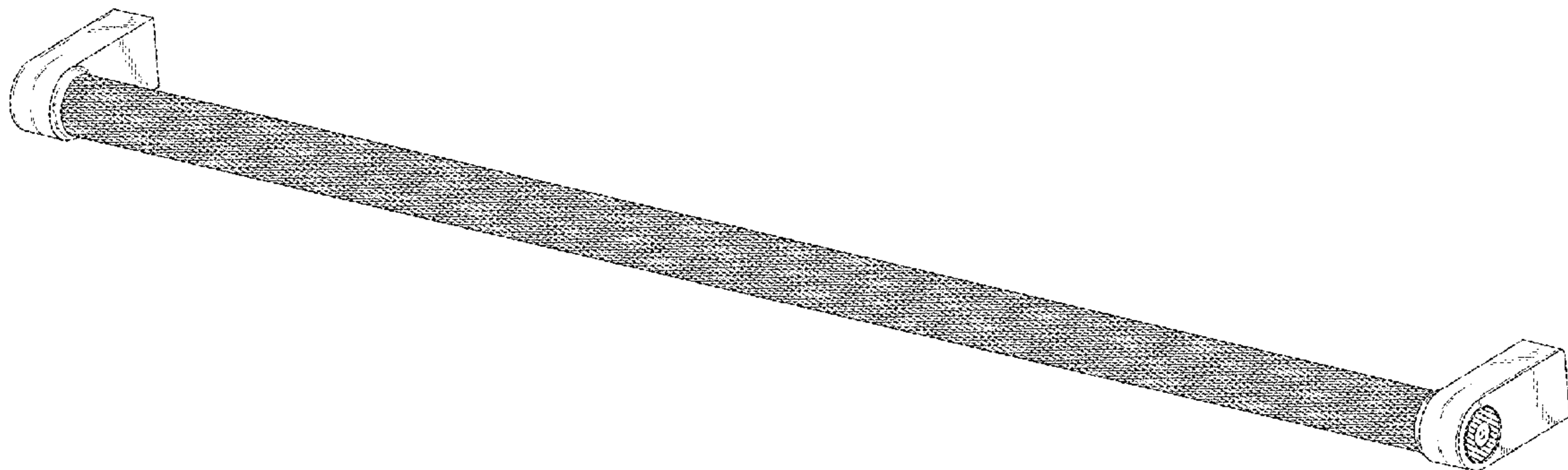
Primary Examiner — Eric Goodman
Assistant Examiner — Bao-Yen Nguyen

(57) **CLAIM**
The ornamental design for a handle assembly with a colored medallion, as shown and described.

DESCRIPTION

FIG. 1 is a perspective view of a first embodiment of a handle assembly with a colored medallion and a knurled pattern on the handle bar showing our new design;
FIG. 2 is a partial perspective view of the handle assembly of FIG. 1;
FIG. 3 is a partial right side view of the handle assembly of FIG. 1, the left side view being a mirror image thereof;
FIG. 4 is a partial front view of the handle assembly of FIG. 1;
FIG. 5 is a partial top view of the handle assembly of FIG. 1;
FIG. 6 is a perspective view of a second embodiment of a handle assembly with a red medallion and a knurled pattern on a handle bar;
FIG. 7 is a partial perspective view of the handle assembly of FIG. 6;
FIG. 8 is a partial right side view of the handle assembly of FIG. 6;
FIG. 9 is a partial front view of the handle assembly of FIG. 6; and,
FIG. 10 is a partial top view of the handle assembly of FIG. 6.
The handle assembly with a colored medallion is shown with a symbolic break in its length in FIGS. 2-5 and 7-10. The appearance of any portion of the article between the break lines forms no part of the claimed design.

1 Claim, 4 Drawing Sheets



(56)

References Cited

U.S. PATENT DOCUMENTS

D388,272 S *	12/1997	Moore	D6/549	D488,699 S *	4/2004	Jackovin	D8/316
D397,899 S *	9/1998	Velazquez-Crespo	D6/578	D504,309 S *	4/2005	Fuchs	D8/367
D410,376 S *	6/1999	Scholl	D8/363	D519,310 S *	4/2006	Schorling	D6/580
D412,420 S *	8/1999	Harris	D6/524	D521,294 S *	5/2006	Ferrer Beltran	D6/546
D425,747 S *	5/2000	Sloan	D6/580	D522,787 S *	6/2006	Dekker et al.	D6/575
D432,843 S *	10/2000	Gastelum et al.	D6/549	D523,272 S *	6/2006	Ferrer Beltran	D6/546
D450,511 S *	11/2001	Gottwald	D6/549	D523,675 S *	6/2006	Schorling	D6/580
D454,480 S *	3/2002	Ou-Young	D8/367	D530,132 S *	10/2006	Ivankovic	D6/580
D455,034 S *	4/2002	Ou-Young	D6/524	D554,403 S *	11/2007	Xiao	D6/524
D455,587 S *	4/2002	Ou-Young	D6/523	D554,972 S *	11/2007	Pezzetta	D8/319
D466,351 S *	12/2002	Tai	D6/550	D564,729 S *	3/2008	Fisher	D7/402
D478,447 S *	8/2003	Hoernig	D6/549	D568,100 S *	5/2008	Jeon	D7/402
					D606,789 S *	12/2009	Krumpe	D6/523
					D621,189 S *	8/2010	Hutson et al.	D6/523

* cited by examiner

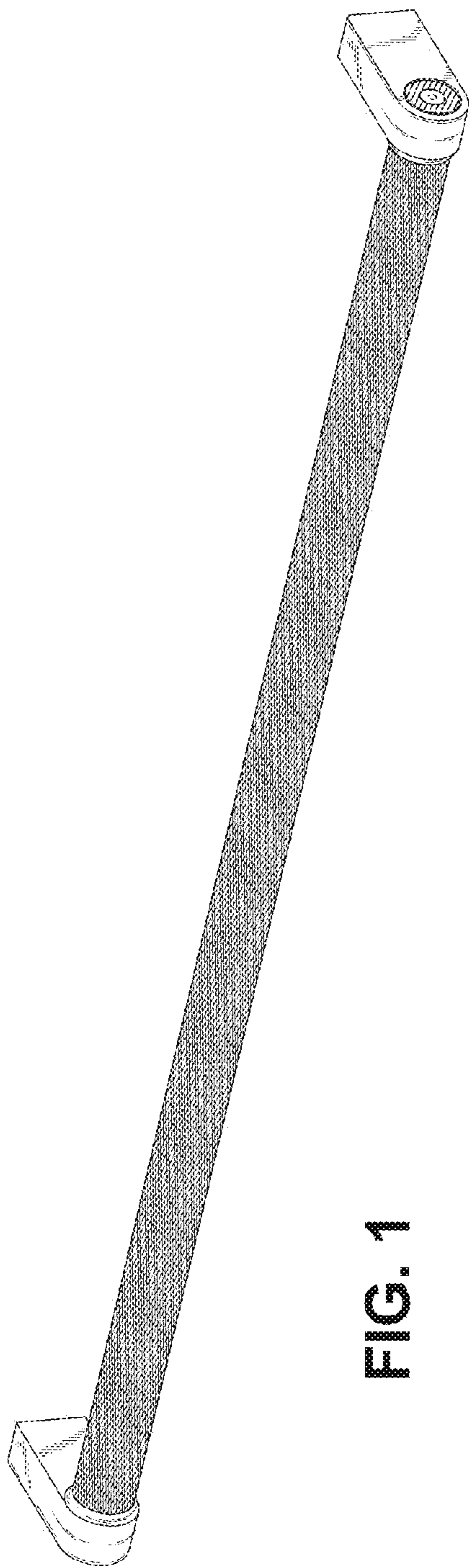


FIG. 1

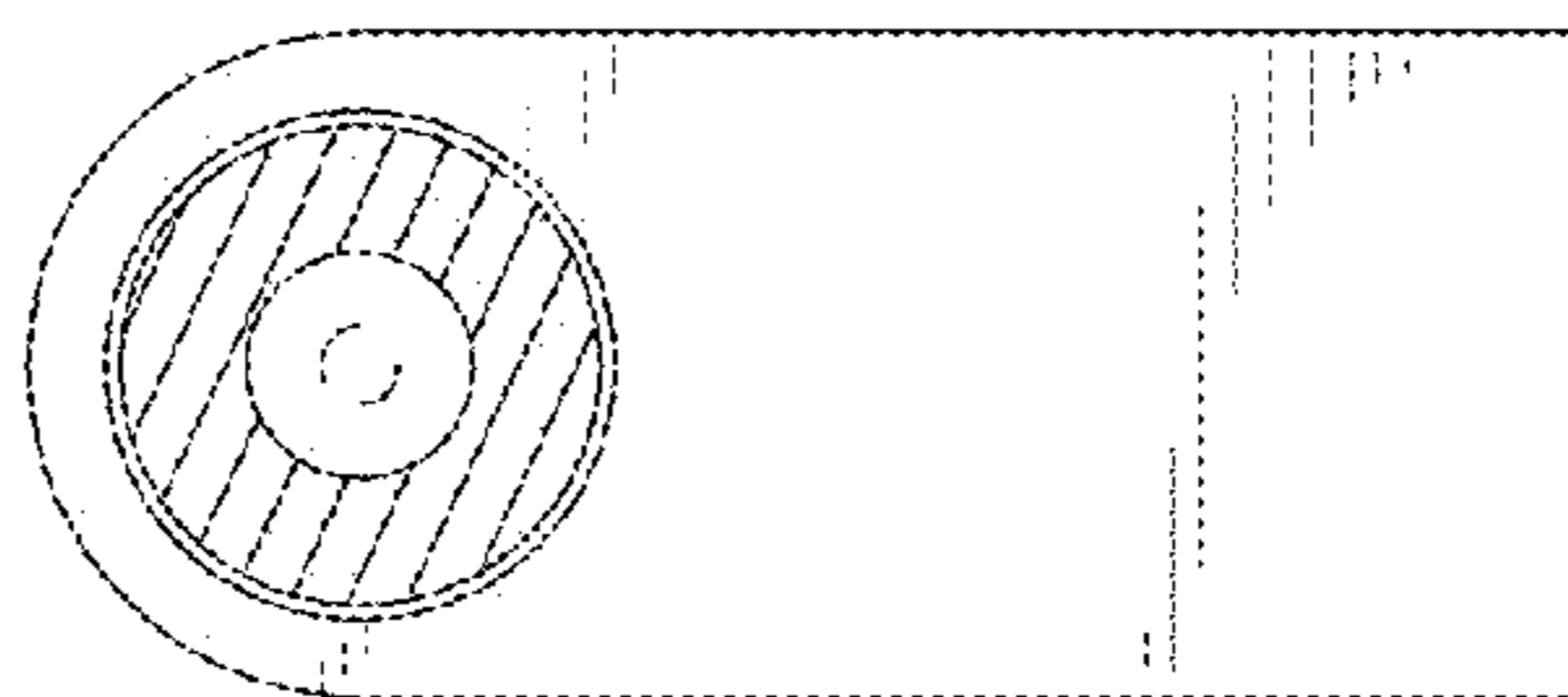


FIG. 3

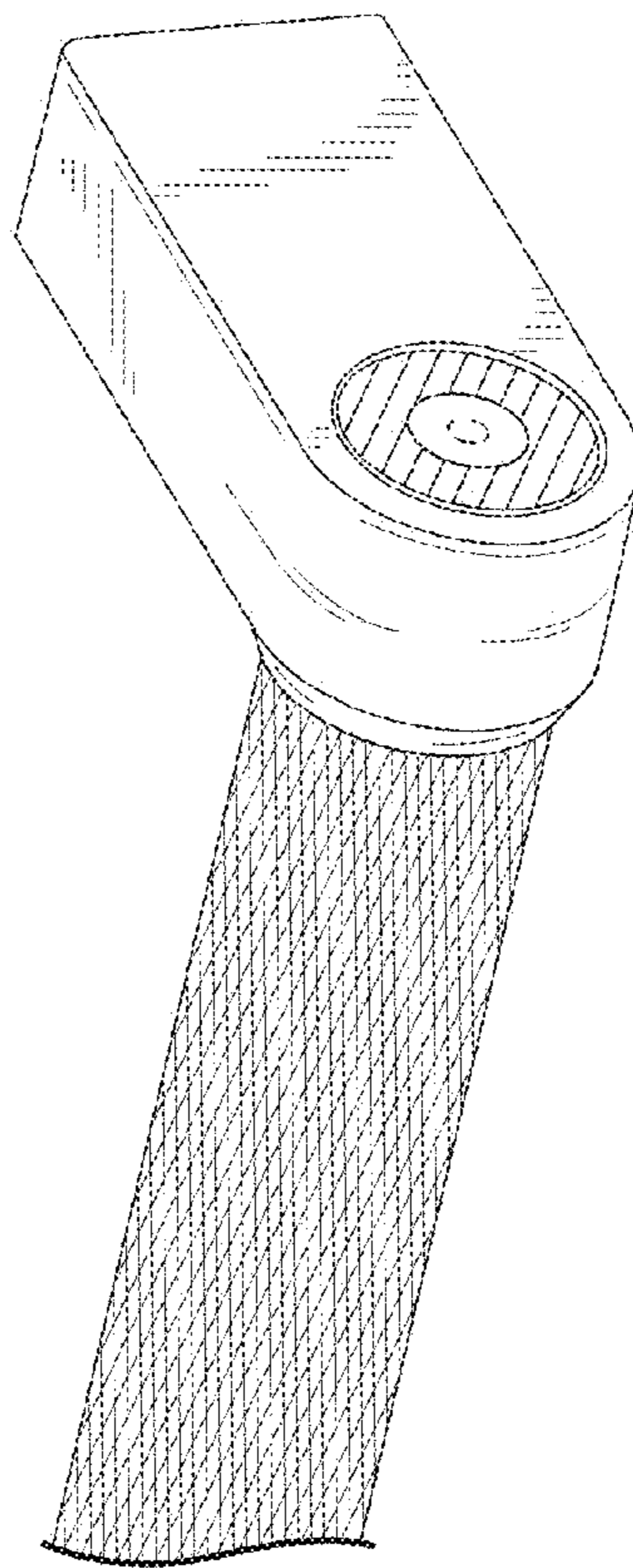


FIG. 2

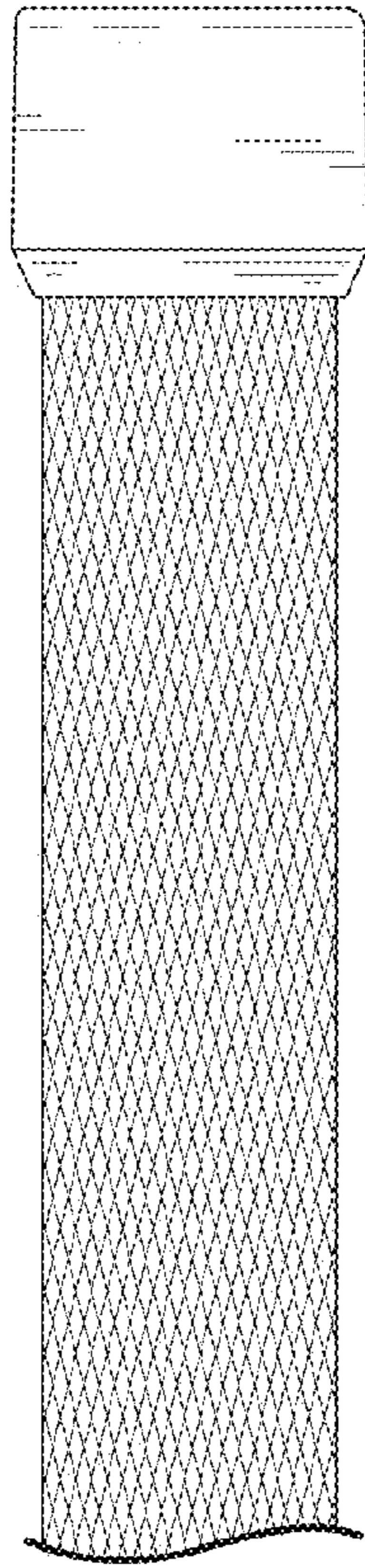


FIG. 4

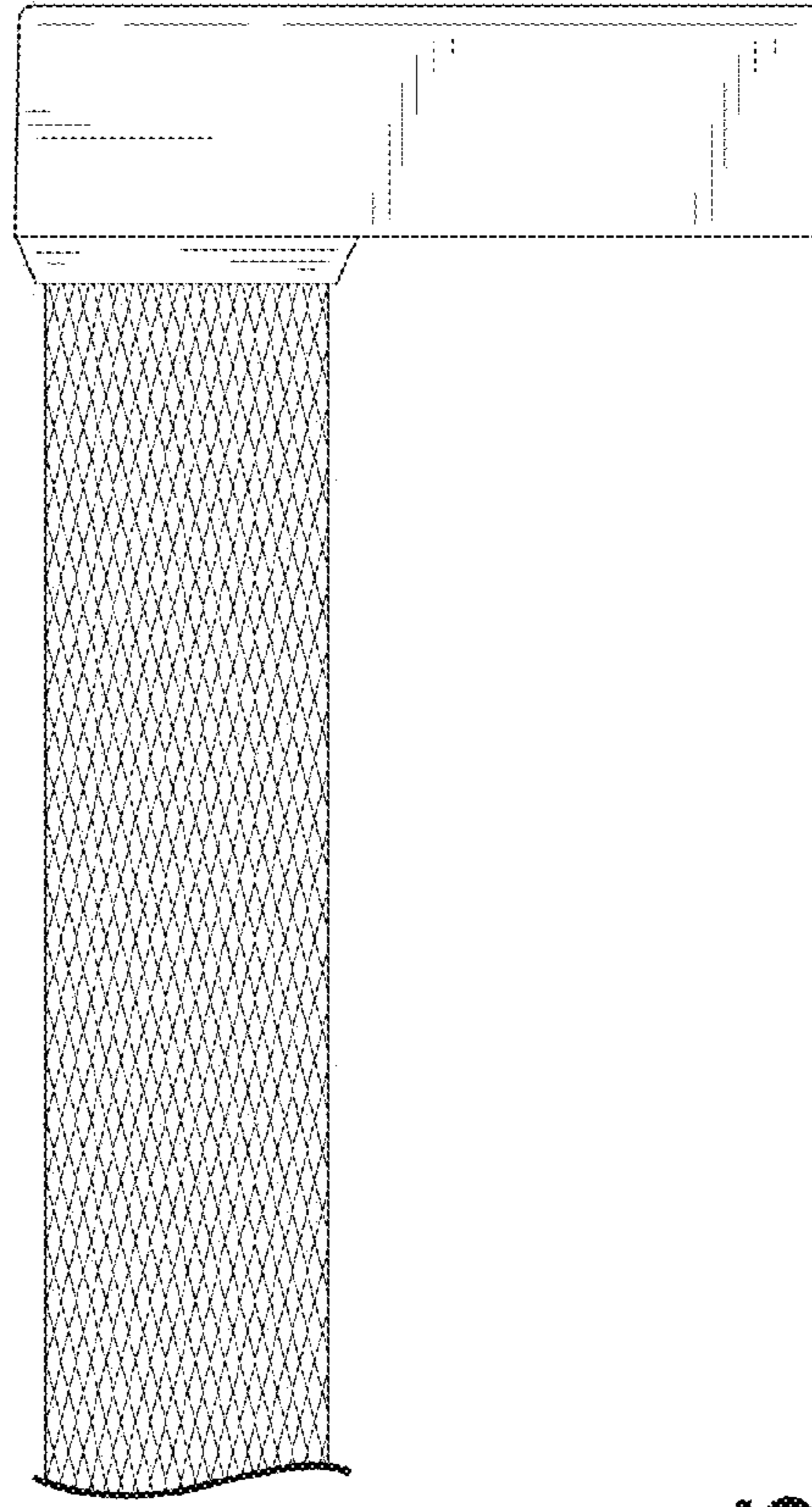


FIG. 5

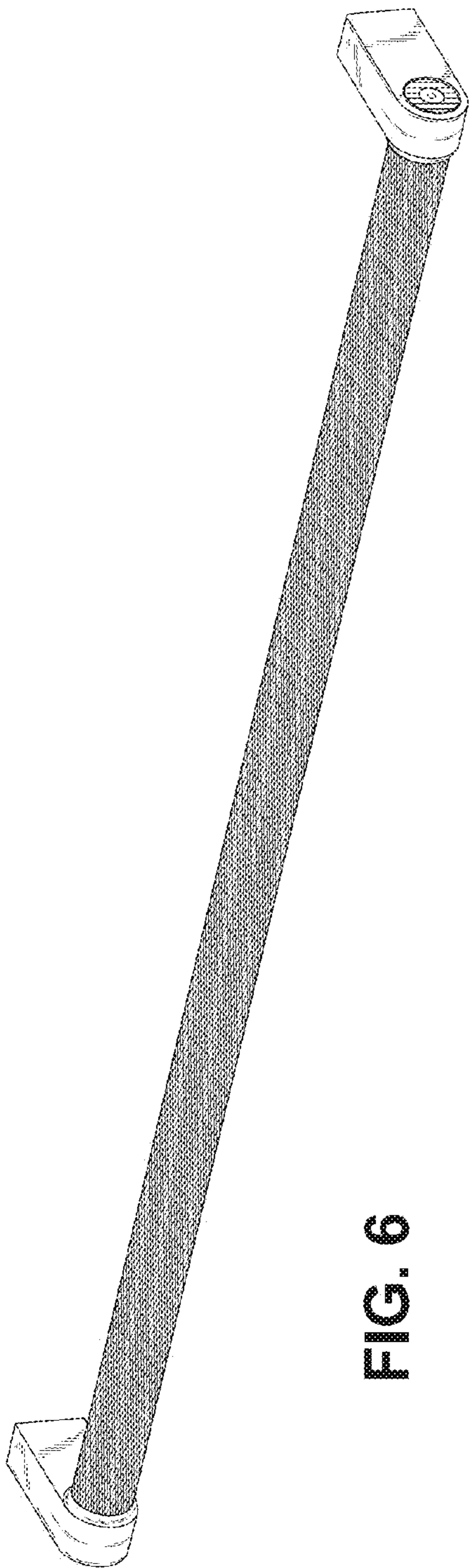


FIG. 6

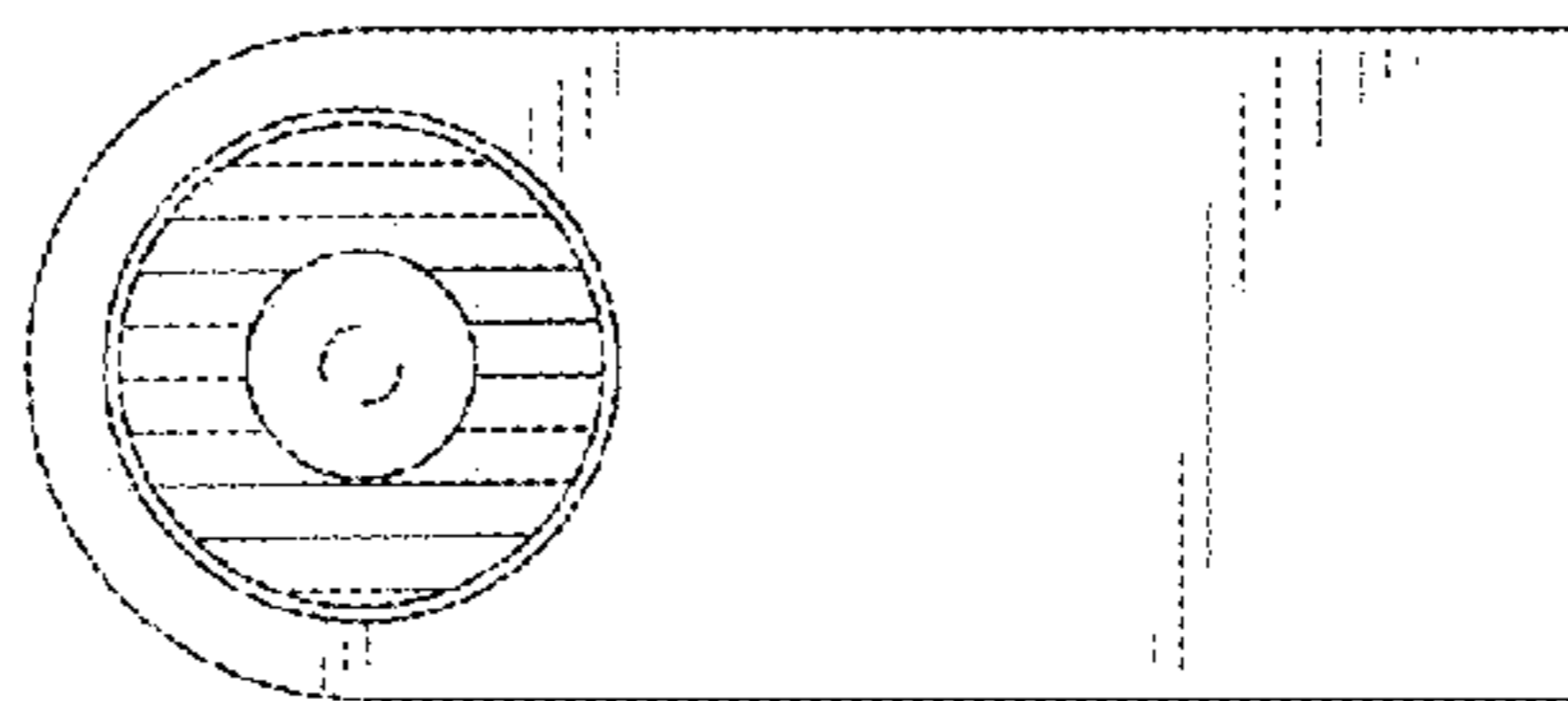


FIG. 8

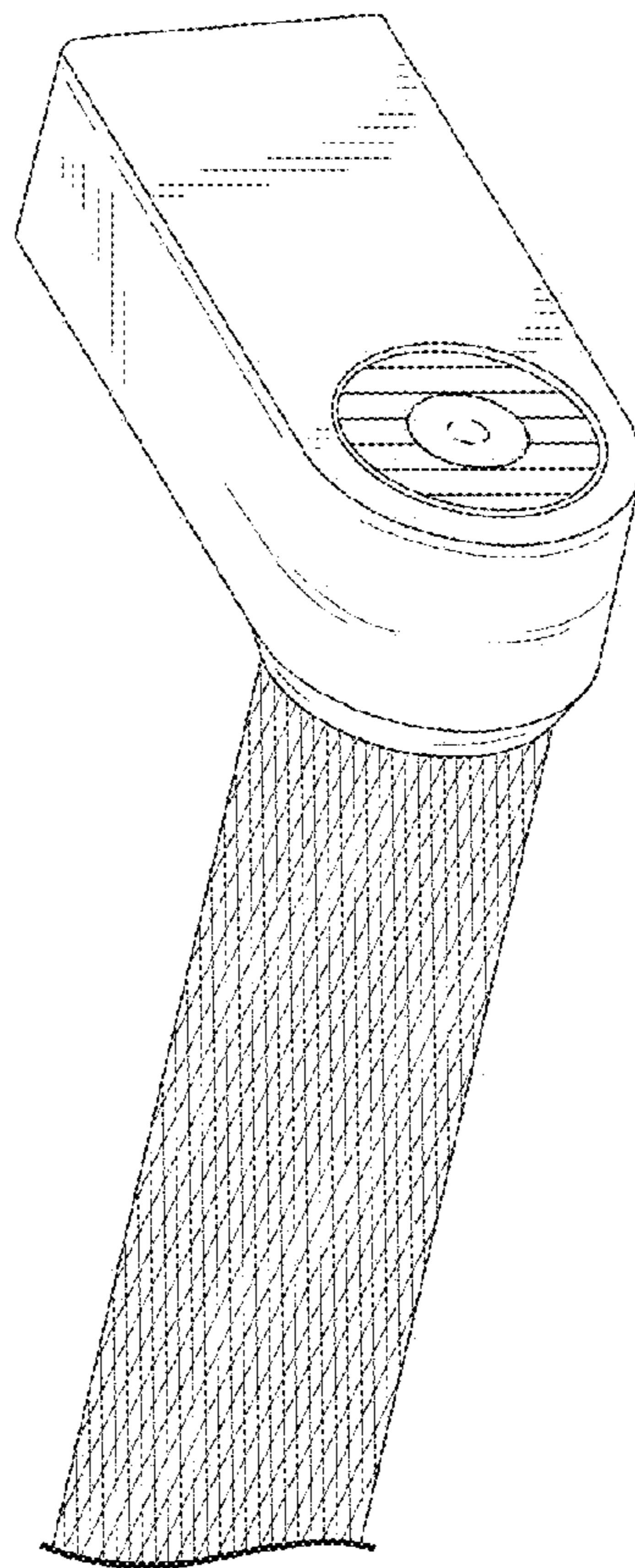


FIG. 7

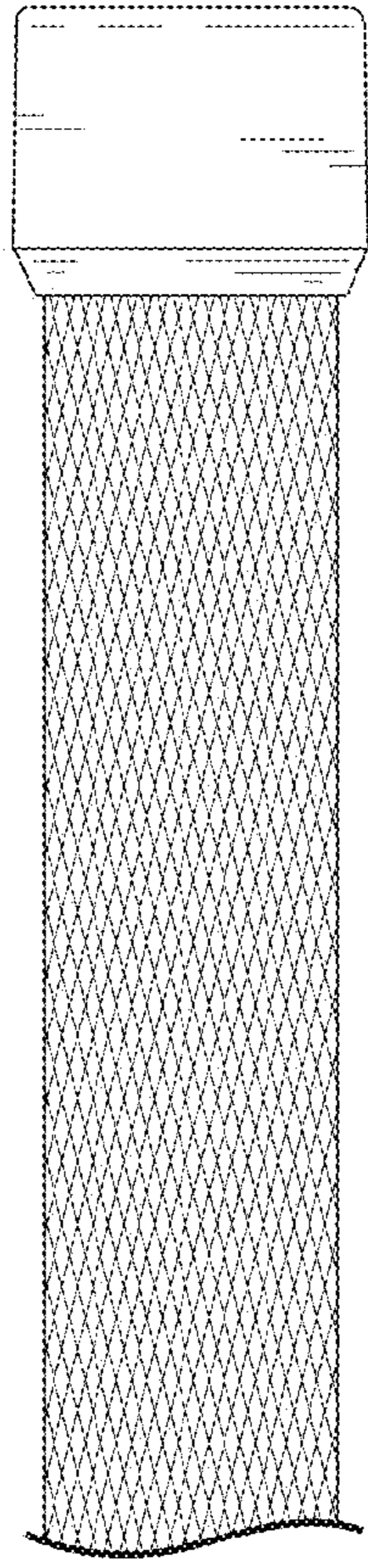


FIG. 9

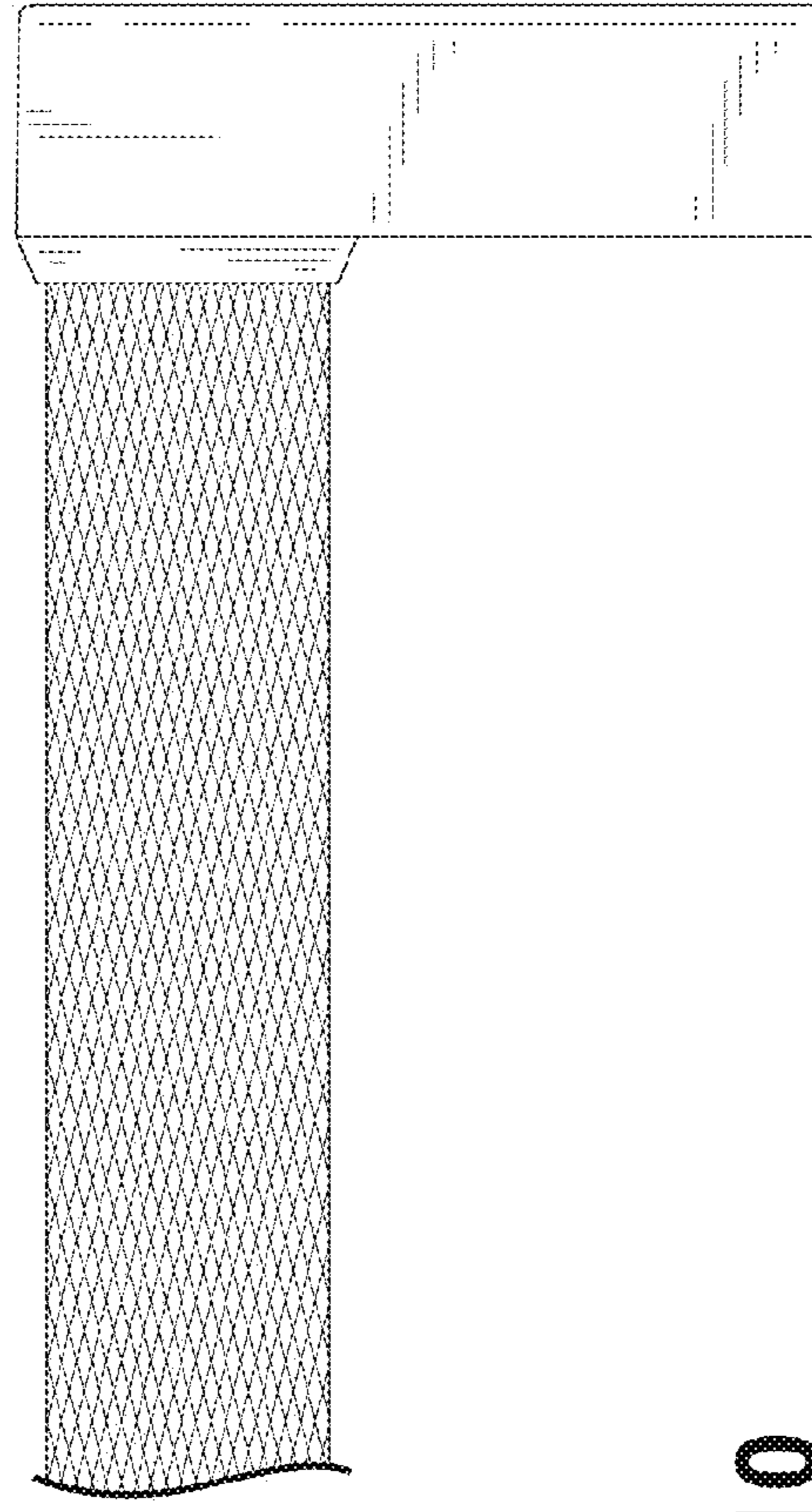


FIG. 10