



US00D758824S

(12) **United States Design Patent**  
**Kelleghan**

(10) **Patent No.:** **US D758,824 S**  
(45) **Date of Patent:** **\*\* Jun. 14, 2016**

(54) **CARABINER WITH TOOL SURFACES**

- (71) Applicant: **Bison Designs LLC**, Longmont, CO (US)
- (72) Inventor: **Brian James Kelleghan**, Longmont, CO (US)
- (73) Assignee: **Bison Designs, LLC**, Longmont, CO (US)
- (\*\*) Term: **14 Years**
- (21) Appl. No.: **29/516,792**
- (22) Filed: **Feb. 5, 2015**

**Related U.S. Application Data**

- (62) Division of application No. 29/480,031, filed on Jan. 22, 2014, now Pat. No. Des. 733,516.
- (51) **LOC (10) Cl.** ..... **08-05**
- (52) **U.S. Cl.**  
USPC ..... **D8/105; D8/356**
- (58) **Field of Classification Search**  
USPC ..... D8/14, 16, 17, 18, 19, 21-27, 33, 34, D8/40, 51, 82, 83, 84, 87, 105, 356; D22/108; 7/138, 151, 158, 169; 30/151, 359, 366; 81/3.09, 3.4, 3.55, 81/119, 125.1, 176.1, 176.2, 488  
See application file for complete search history.

(56) **References Cited**

**U.S. PATENT DOCUMENTS**

457,614 A      8/1891 Green  
 D54,394 S      2/1920 Dodge  
 (Continued)

**FOREIGN PATENT DOCUMENTS**

CN            301481529      \*    3/2011

**OTHER PUBLICATIONS**

<http://toolguyd.com/nite-ize-doohickey-keychain-tool/> Posted Nov. 4, 2013.\*

(Continued)

*Primary Examiner* — Susan Bennett Hattan

*Assistant Examiner* — Leanne Was

(74) *Attorney, Agent, or Firm* — Polson Intellectual Property Law, PC; Margaret Polson

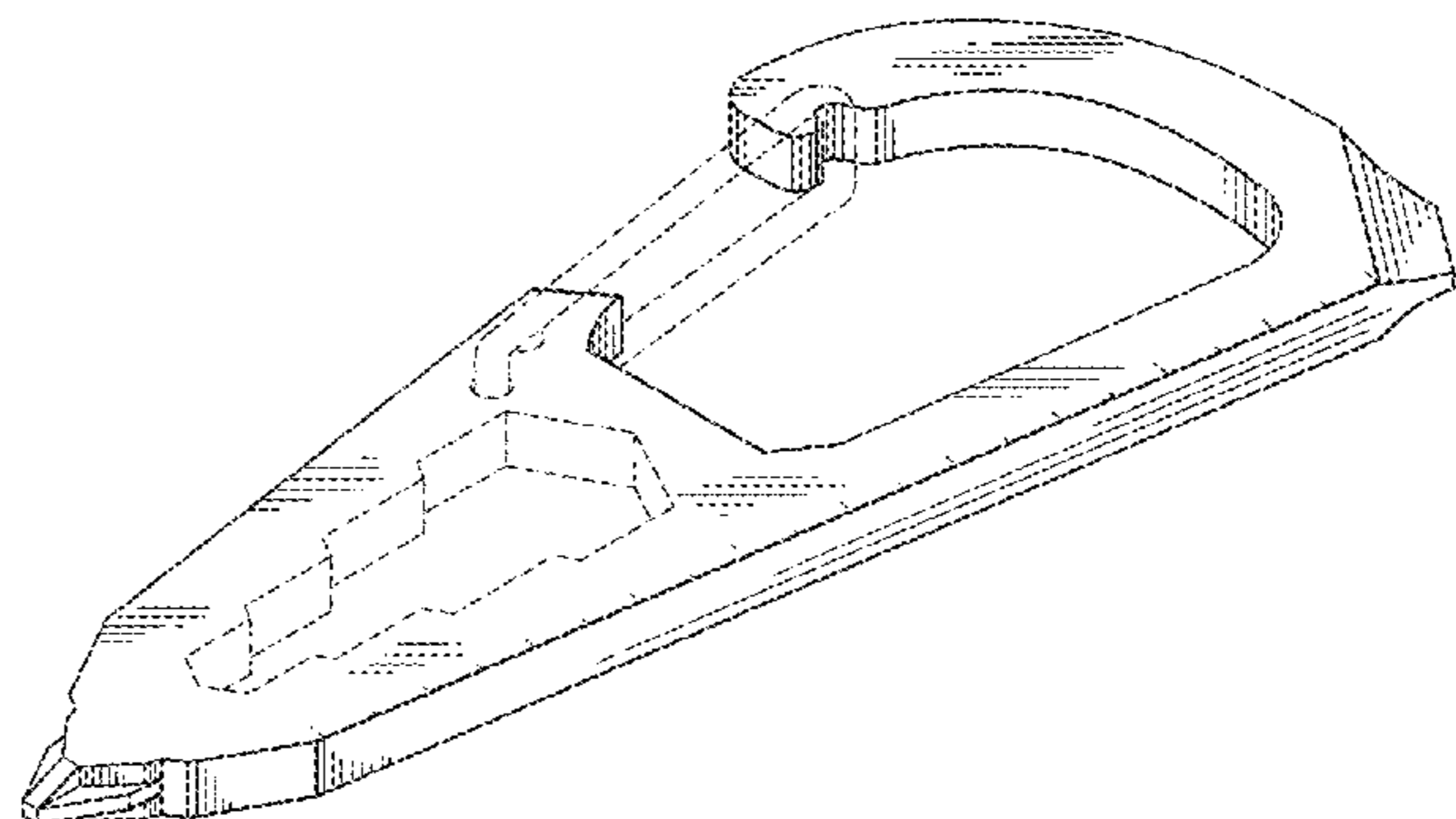
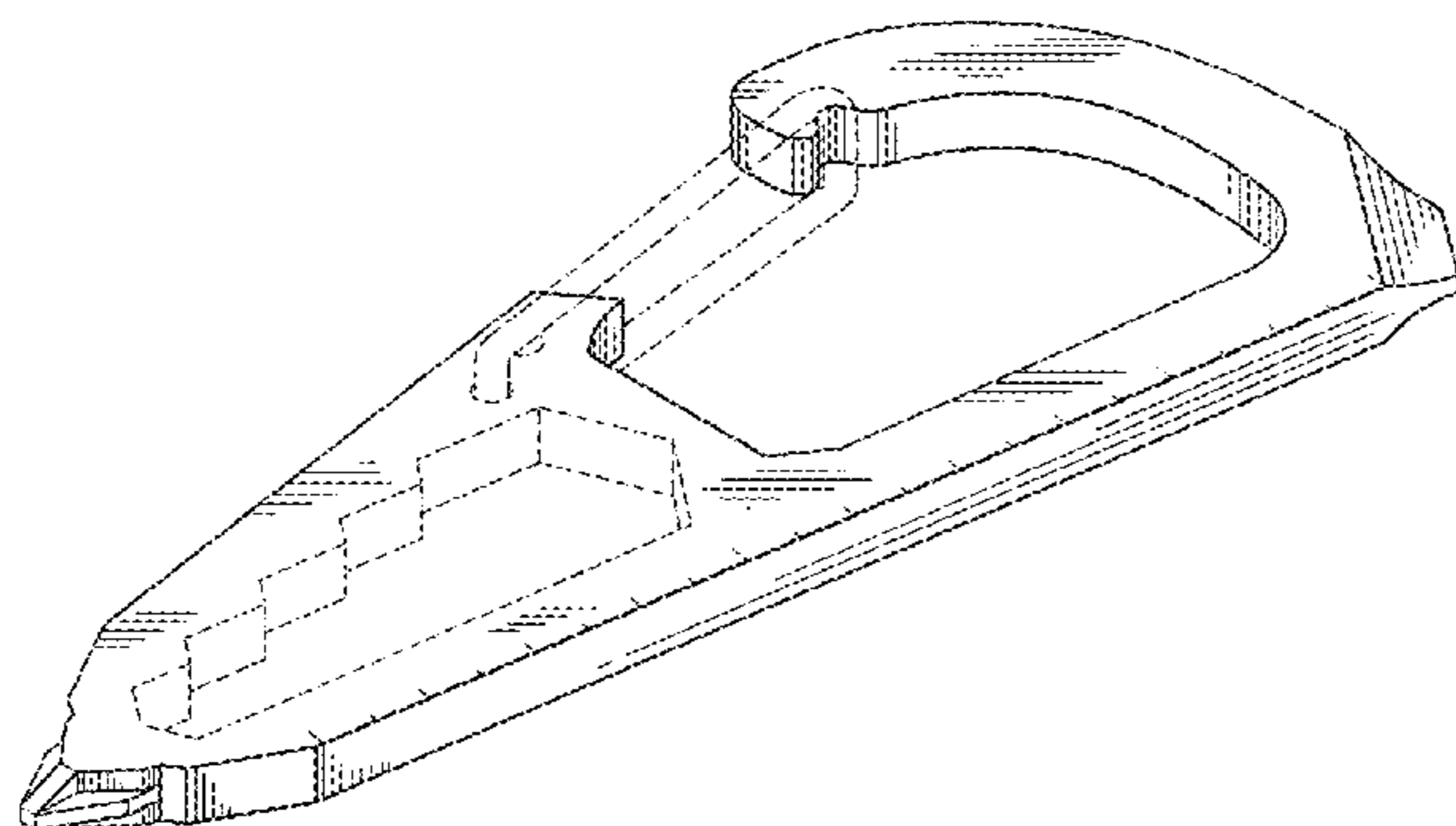
(57) **CLAIM**

The ornamental design for a carabiner with tool surfaces, as shown and described.

**DESCRIPTION**

FIG. 1 is a top side plan view of a first embodiment of my new design for a carabiner with tool surfaces.  
 FIG. 2 is a bottom side plan view of FIG. 1.  
 FIG. 3 is a right side elevation view of FIG. 1.  
 FIG. 4 is a left side elevation view of FIG. 1.  
 FIG. 5 is a back side elevation view of FIG. 1.  
 FIG. 6 is a front side elevation view of FIG. 1.  
 FIG. 7 is a top side perspective view of FIG. 1.  
 FIG. 8 is a top side plan view of a second embodiment of my new design for a carabiner with tool surfaces.  
 FIG. 9 is a bottom side plan view of FIG. 2.  
 FIG. 10 is a right side elevation view of FIG. 2.  
 FIG. 11 is a left side elevation view of FIG. 2.  
 FIG. 12 is a back side elevation view of FIG. 2.  
 FIG. 13 is a front side elevation view of FIG. 2; and,  
 FIG. 14 is a top side perspective view of FIG. 2.  
 The features shown in broken lines depict environmental subject matter, and form no part of the claimed design. No claim is made to texture, surface finish or surface ornamentation.

**1 Claim, 2 Drawing Sheets**



(56)

References Cited

U.S. PATENT DOCUMENTS

D122,575 S 6/1940 Smiley  
 2,998,526 A 9/1961 Prete  
 D233,405 S 10/1974 Frey  
 4,023,606 A 5/1977 Kneissl  
 D285,989 S 10/1986 MacDonald  
 4,622,724 A 11/1986 Dupre  
 4,742,619 A 5/1988 Swanson  
 D302,232 S \* 7/1989 Hoffman et al. .... D8/18  
 D302,514 S \* 8/1989 Gates ..... D8/105  
 D303,212 S 9/1989 Crowle  
 D334,693 S \* 4/1993 Burke ..... D8/17  
 D356,240 S \* 3/1995 Meldahl ..... D8/105  
 D391,840 S 3/1998 Striebel  
 D393,578 S \* 4/1998 Keddie ..... D8/17  
 D402,515 S \* 12/1998 McIntyre ..... D8/17  
 D414,995 S 10/1999 Hsieh  
 D419,251 S 1/2000 Parsons et al.  
 D422,731 S 4/2000 Parsons et al.  
 6,070,497 A \* 6/2000 Farelli ..... 81/3.09  
 D434,621 S \* 12/2000 Tonkin ..... D8/17  
 D444,685 S \* 7/2001 Shenkel et al. .... D8/18  
 D445,655 S \* 7/2001 Maddox ..... D8/17  
 D449,975 S 11/2001 Smith et al.  
 D477,197 S \* 7/2003 Yates ..... D8/21  
 D512,286 S \* 12/2005 Wolf ..... D8/21  
 D514,403 S \* 2/2006 Wolf ..... D8/21  
 7,111,349 B2 9/2006 Goldberg  
 D588,885 S 3/2009 Barber et al.  
 D590,699 S 4/2009 Szymanski et al.  
 7,530,295 B2 \* 5/2009 Jones et al. .... 81/124.4  
 D594,315 S 6/2009 Szymanski et al.  
 D608,184 S 1/2010 Kelleghan  
 D609,078 S 2/2010 Kelleghan  
 D628,873 S 12/2010 Kelleghan  
 D629,287 S 12/2010 Kelleghan  
 D632,546 S 2/2011 Schmid  
 D642,895 S 8/2011 Kelleghan

D666,883 S 9/2012 Howard et al.  
 D670,154 S \* 11/2012 Kelleghan ..... D8/356  
 D693,202 S \* 11/2013 Berman ..... D8/105  
 D705,034 S \* 5/2014 Connell ..... D8/105  
 D709,344 S \* 7/2014 Adelman et al. .... D8/105  
 D726,517 S \* 4/2015 Fischer ..... D8/17  
 D733,516 S \* 7/2015 Kelleghan ..... D8/105  
 D737,173 S 8/2015 Kelleghan  
 D739,713 S 9/2015 Kelleghan  
 2004/0149516 A1 8/2004 Kwak et al.  
 2005/0061905 A1 3/2005 Sherman et al.  
 2006/0266160 A1 \* 11/2006 Yeh ..... 81/3.4  
 2008/0016659 A1 1/2008 Peterson  
 2014/0059782 A1 \* 3/2014 Duncan et al. .... 7/138

OTHER PUBLICATIONS

<https://www.mack-shop.com/eshop/p/1175/doohikey-key-tool>  
 Retrieved Aug. 24, 2015.\*  
 U.S. Appl. No. 29/520,728, filed Mar. 17, 2015; First Named Inventor: Brian James Kelleghan.  
<http://zootilitytools.com/> Pocket Monkey tool sold by Zootility Tools.  
<https://bisondesigns.com/Bottle%20Openers/Multi%20Hex> Bison Designs, LLC Multi Hex bottle opener tool.  
<http://www.leatherman.com/831798.html#start=2> CAM pocket tool sold by Leatherman.  
<http://www.leatherman.com/831781.html#start=4> HAIL pocket tool sold by Leatherman.  
<http://www.leatherman.com/831784.html#start=5> HAIL+Style PS pocket tool sold by Leatherman.  
<http://www.leatherman.com/831860.html#start=6> JAM pocket tool sold by Leatherman.  
<http://www.leatherman.com/831680.html#start=9> PIRANHA 2 pocket tool sold by Leatherman.  
<http://www.leatherman.com/831778.html#start=12> RIME pocket tool sold by Leatherman.  
 Snowboard hex wrench bottle opener, previously sold by applicant.

\* cited by examiner

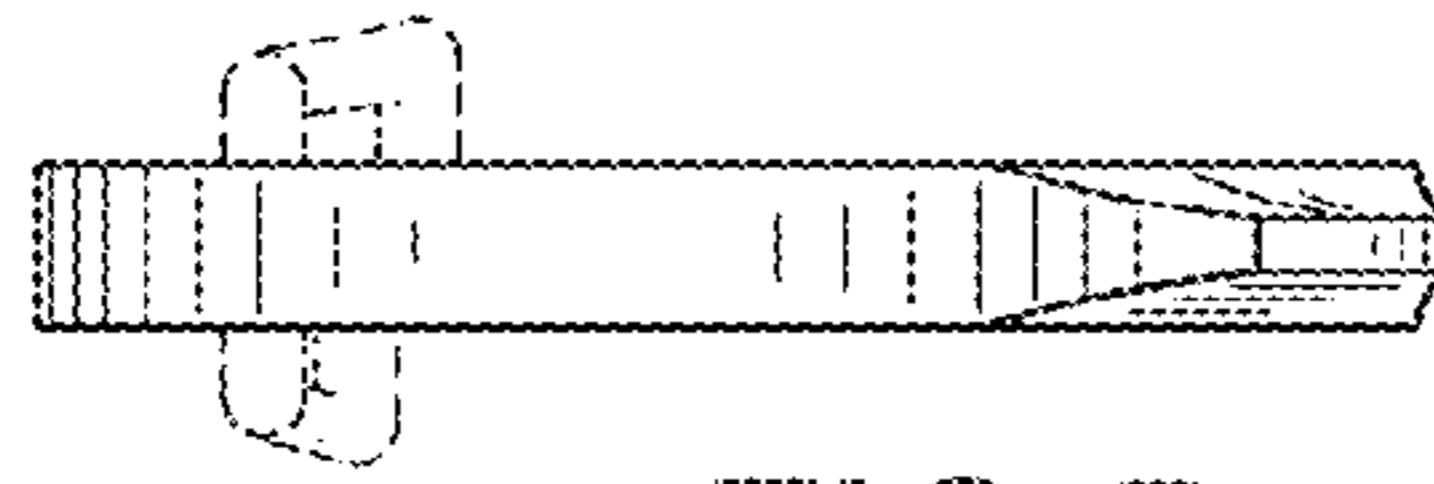


FIG. 5

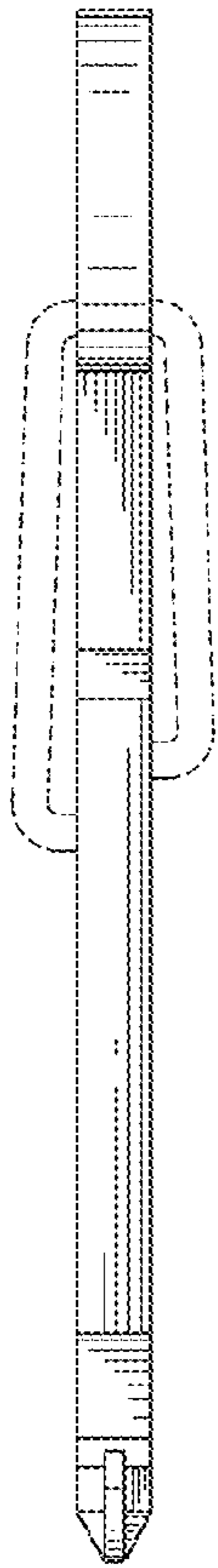


FIG. 3

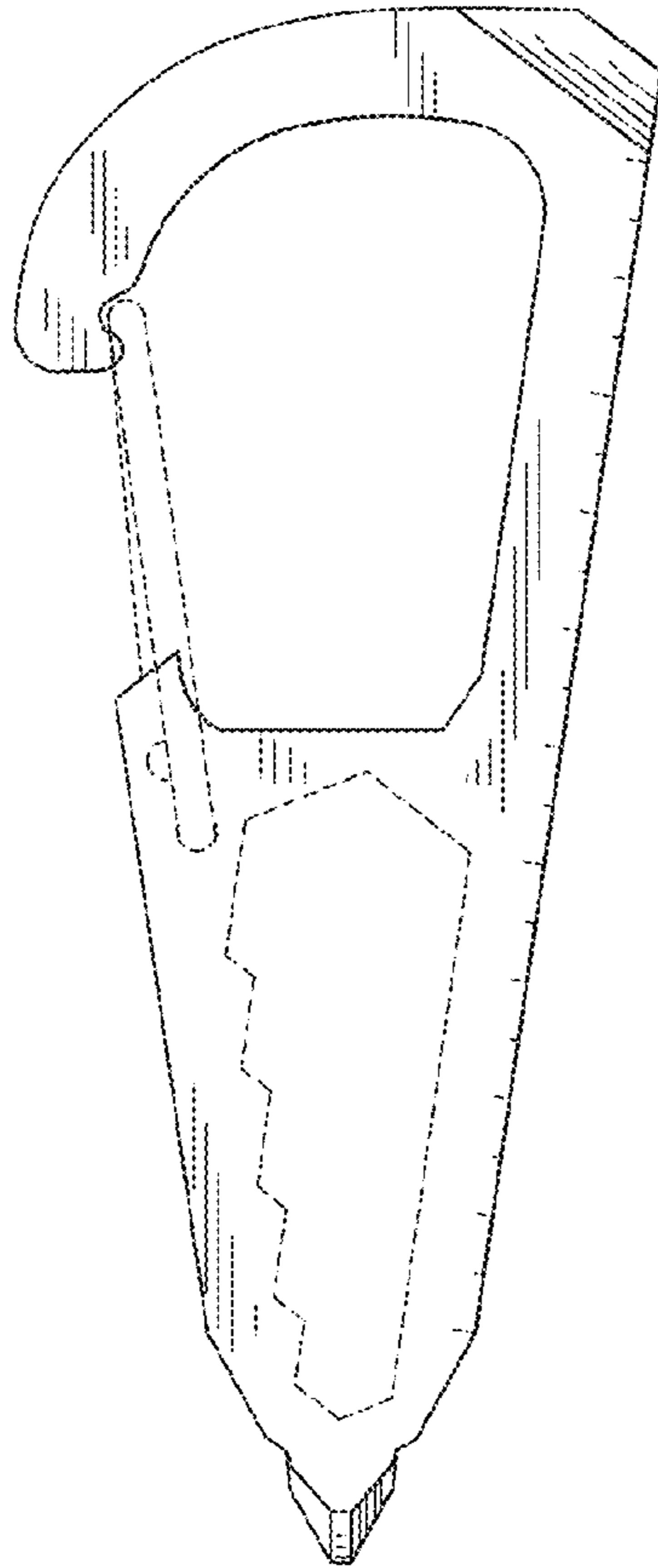


FIG. 1



FIG. 4

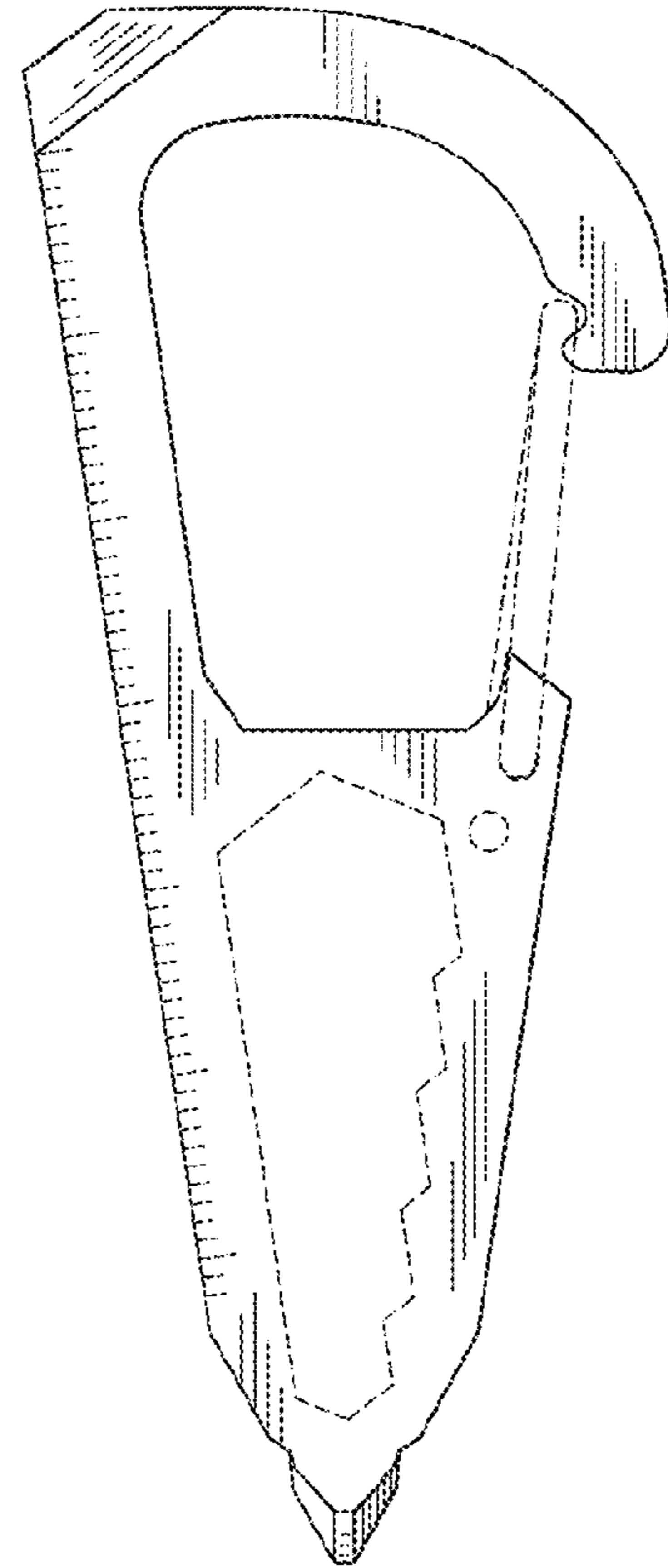


FIG. 2

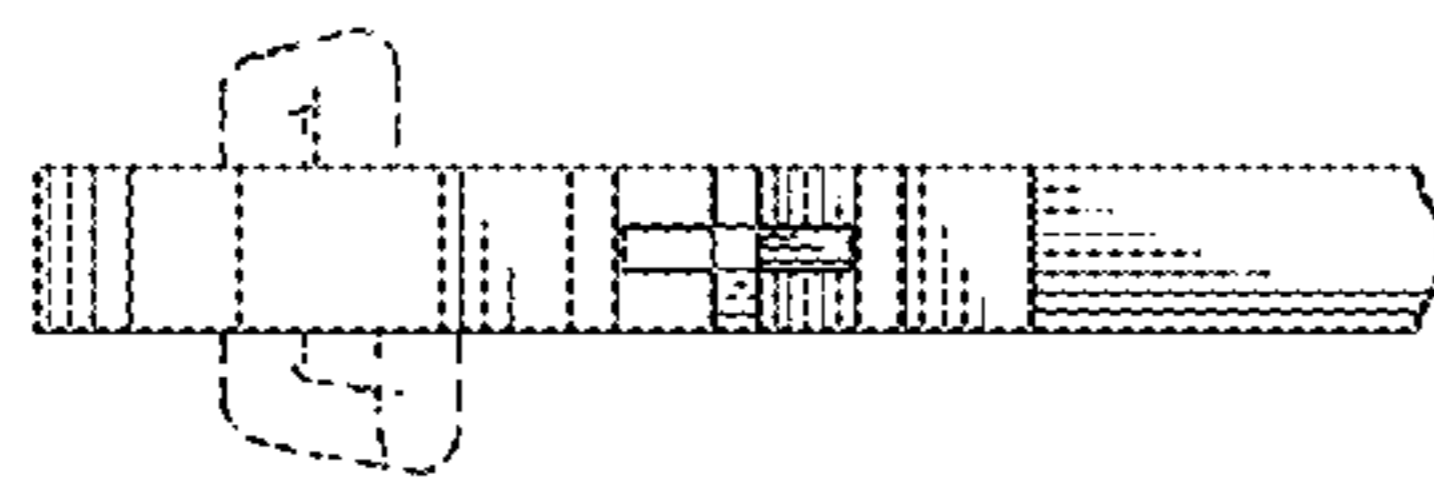


FIG. 6

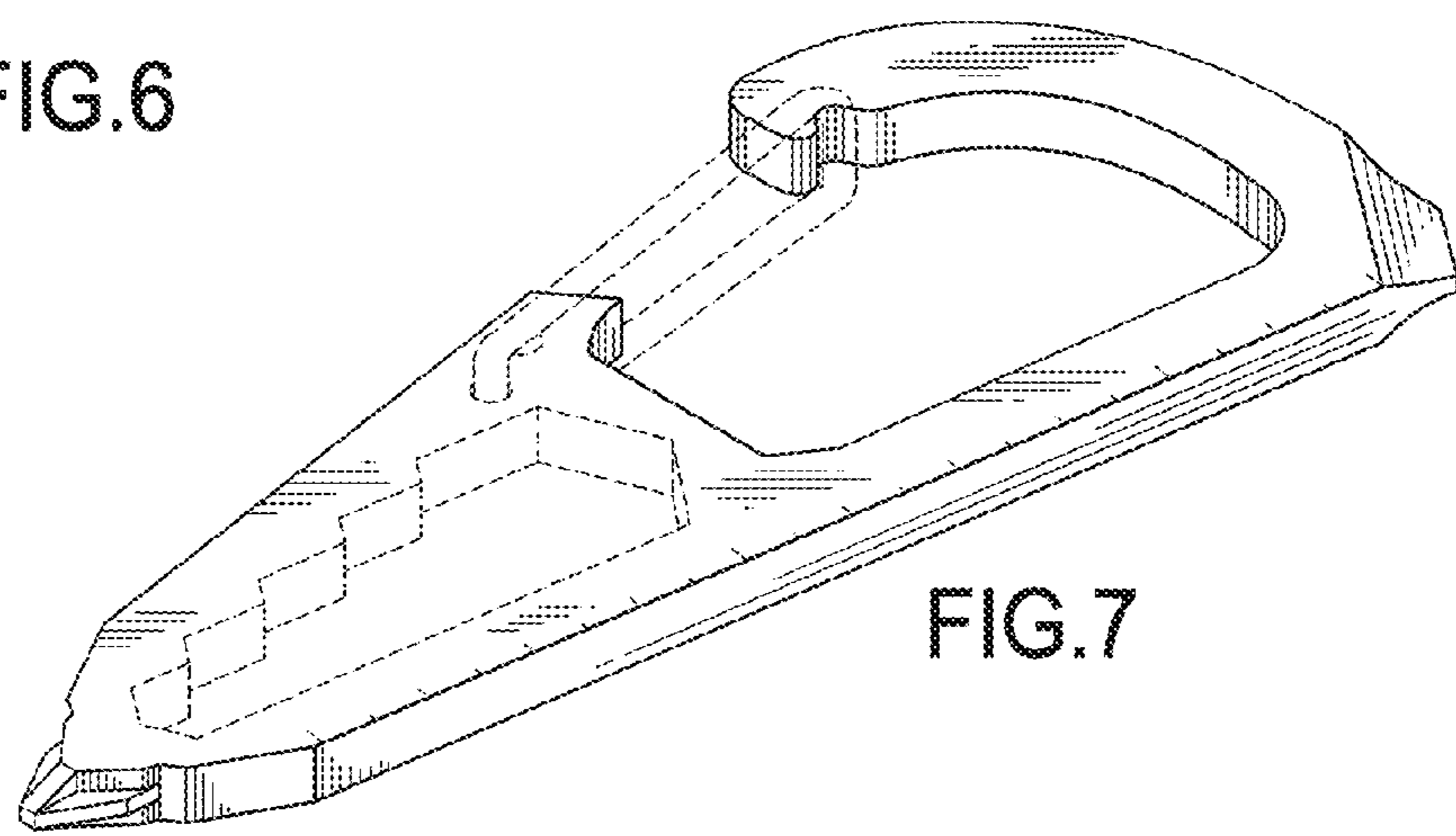


FIG. 7

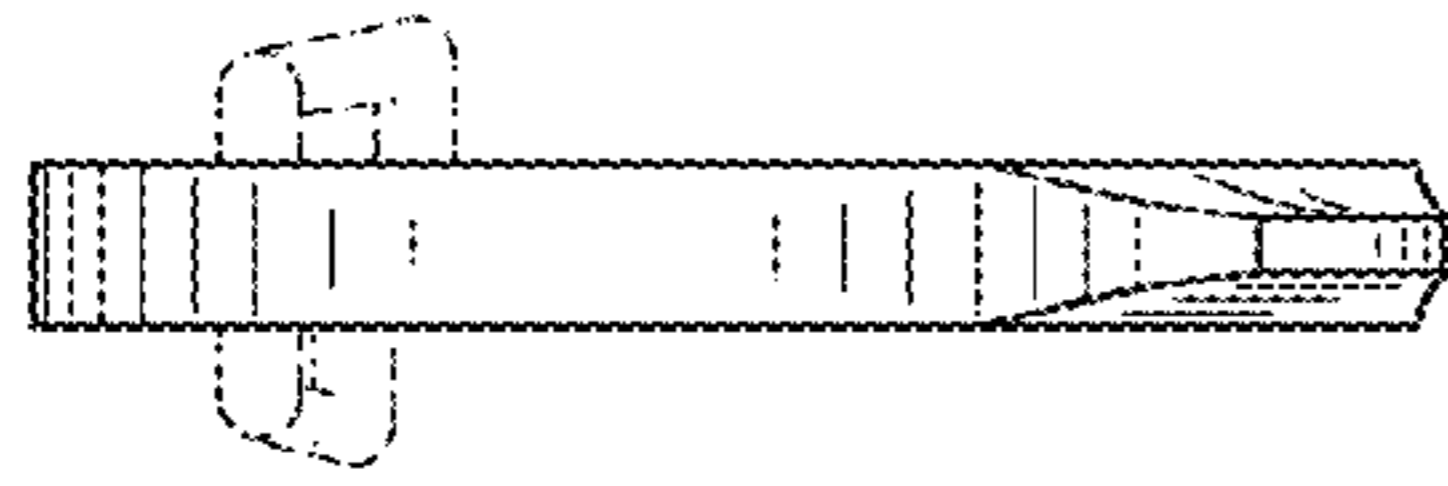


FIG. 12

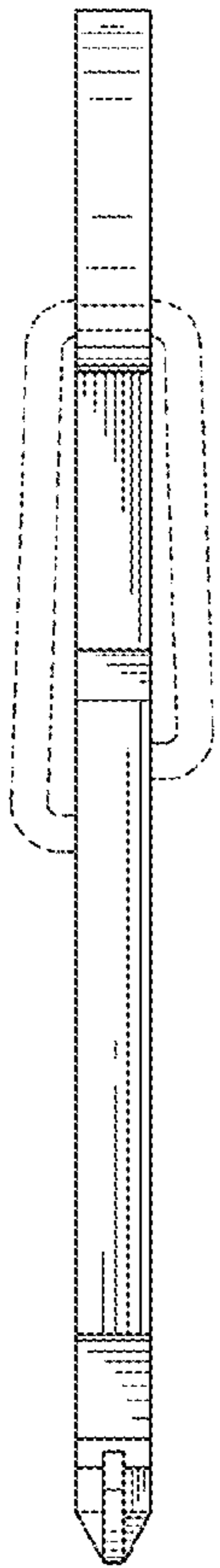


FIG. 10

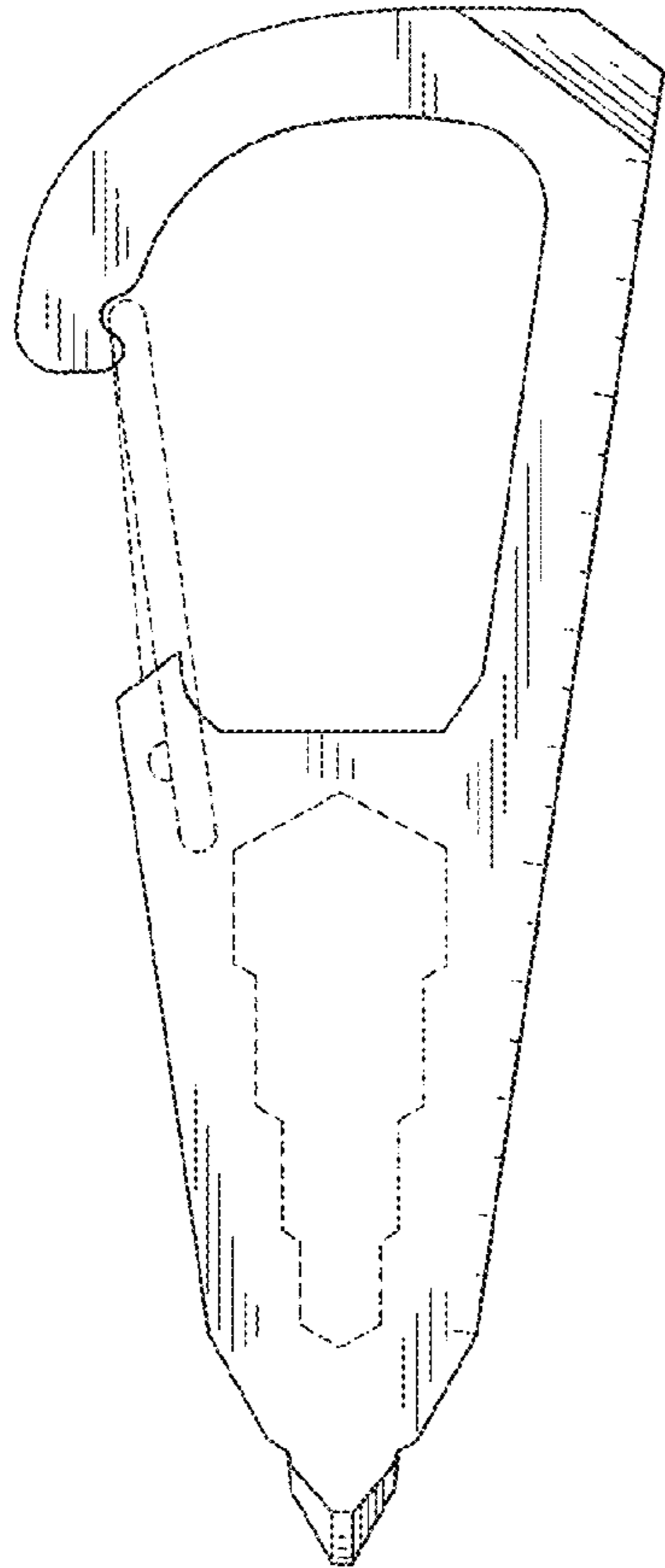


FIG. 8

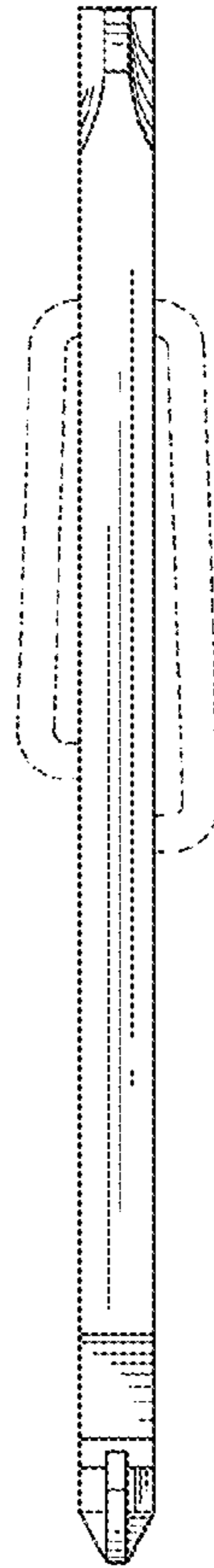


FIG. 11

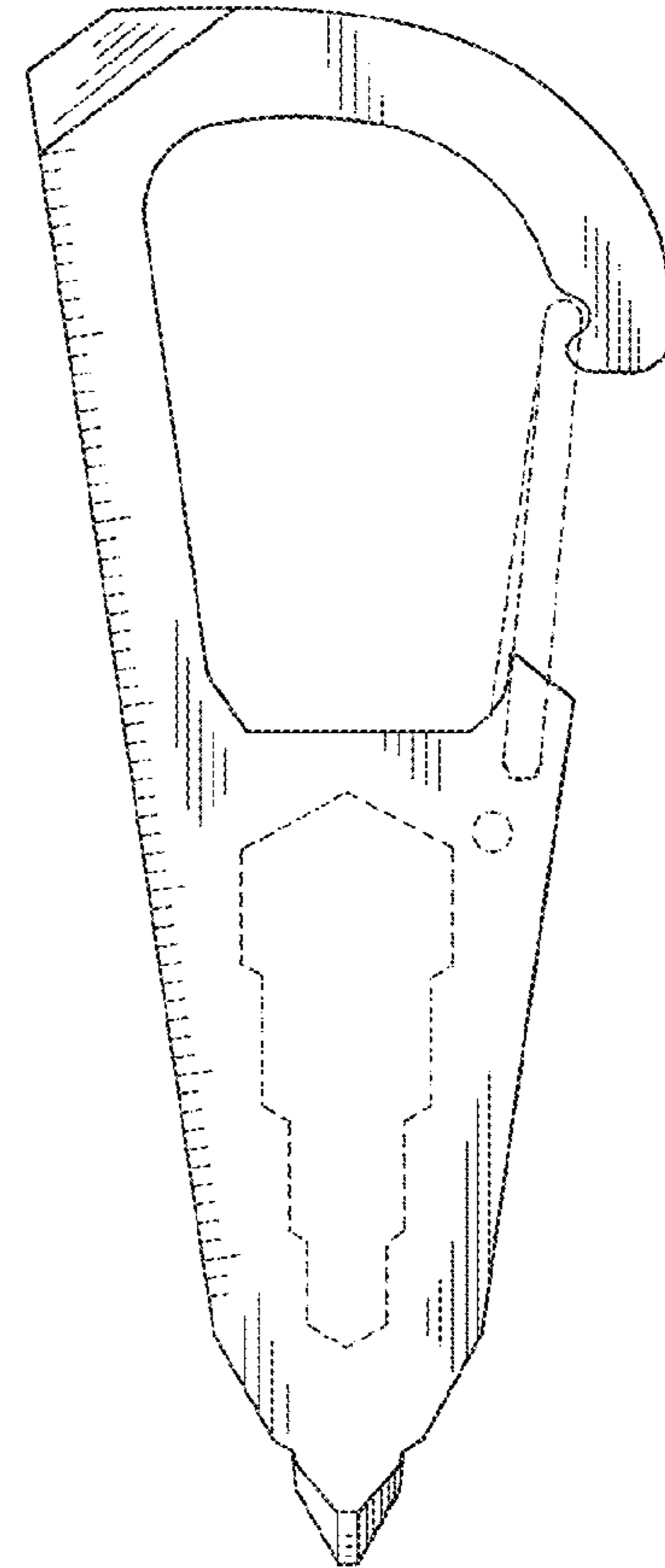


FIG. 9

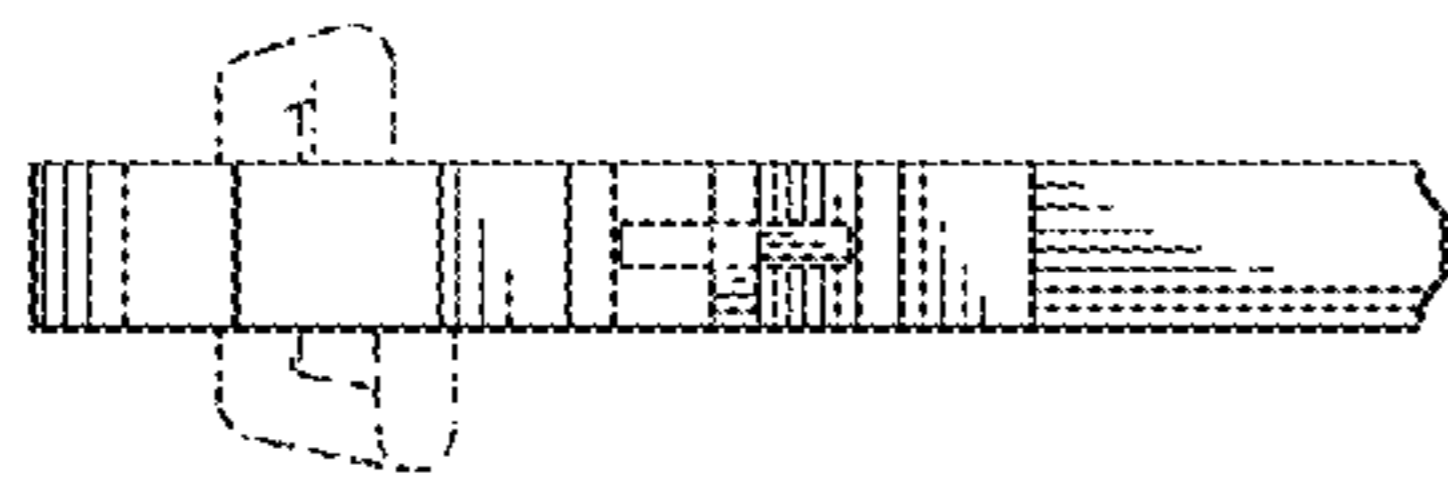


FIG. 13

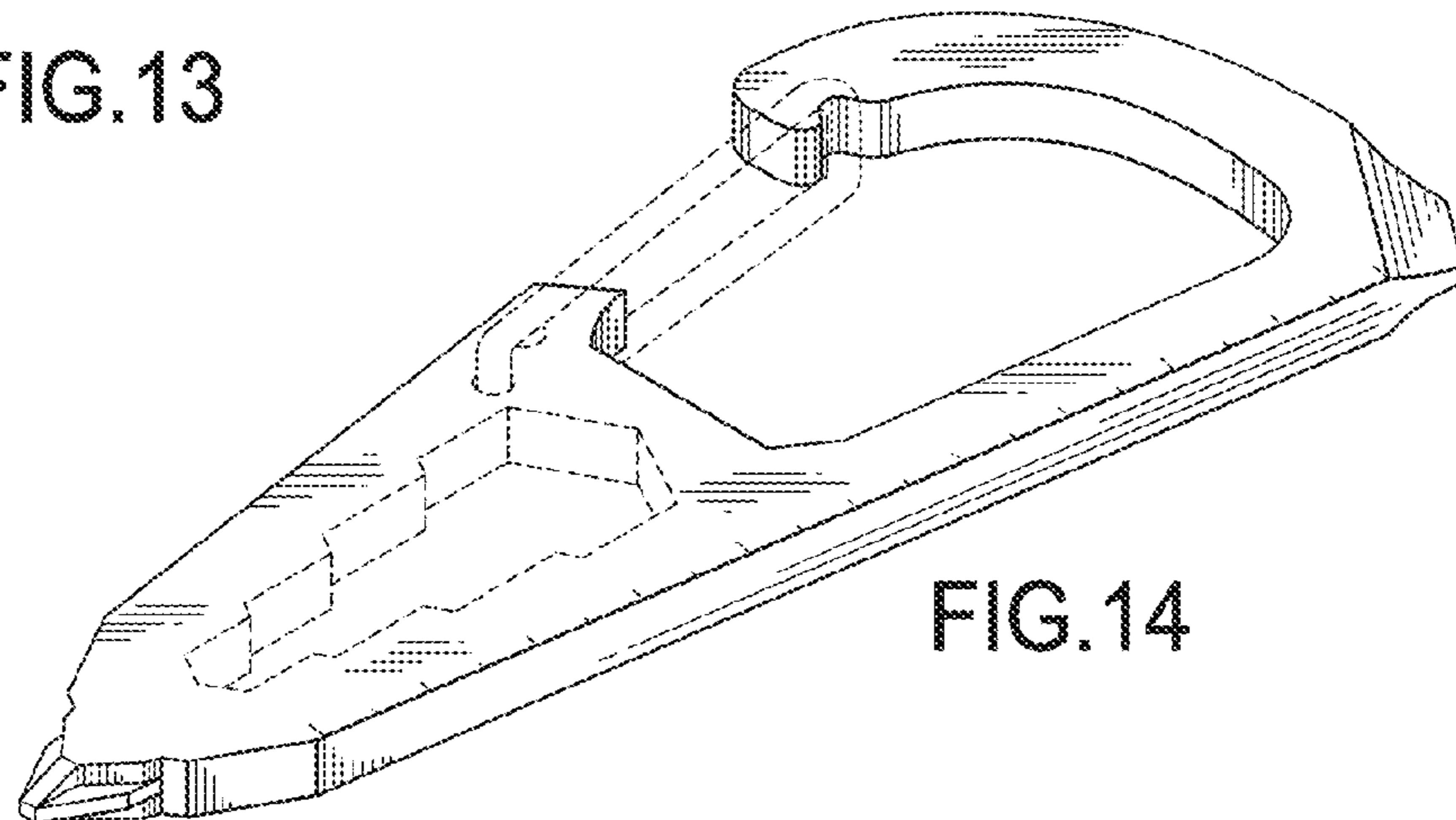


FIG. 14