



US00D758823S

(12) **United States Design Patent**
Hawkins

(10) **Patent No.:** **US D758,823 S**
(45) **Date of Patent:** **** Jun. 14, 2016**

- (54) **MULTI PURPOSE HAND TOOL**
- (71) Applicant: **VONSHOQ, LLC**, Beverly Hills, CA (US)
- (72) Inventor: **Erin Shawn Hawkins**, West Hollywood, CA (US)
- (73) Assignee: **VONSHOQ, LLC**, Beverly Hills, CA (US)
- (**) Term: **14 Years**
- (21) Appl. No.: **29/507,371**
- (22) Filed: **Oct. 27, 2014**
- (51) **LOC (10) Cl.** **08-05**
- (52) **U.S. Cl.**
USPC **D8/105**
- (58) **Field of Classification Search**
USPC D3/210; D8/16, 18, 21, 26, 33, 34, 40, D8/43, 47, 48, 82, 83, 84, 86, 87, 105, D8/107; 30/157; 81/3.07, 3.09, 3.47, 3.55
See application file for complete search history.

D479,970	S	*	9/2003	Hutchinson	D8/88
7,036,952	B2		5/2006	Zirk		
D528,880	S		9/2006	Belflower		
D585,262	S	*	1/2009	Cheldin	D8/104
7,568,250	B2		8/2009	Menard-Flanagan		
7,698,970	B1		4/2010	Chavez		
8,220,075	B2		7/2012	Chen		
D693,202	S	*	11/2013	Berman	D8/105
D730,446	S	*	5/2015	Busch	D19/121
D731,272	S	*	6/2015	Salvat	D8/34
D732,913	S	*	6/2015	Lozano	D8/18
2010/0101028	A1	*	4/2010	Cheldin	7/160

* cited by examiner

Primary Examiner — Susan Bennett Hattan
Assistant Examiner — Leanne Was
(74) *Attorney, Agent, or Firm* — Milord A. Keshishian

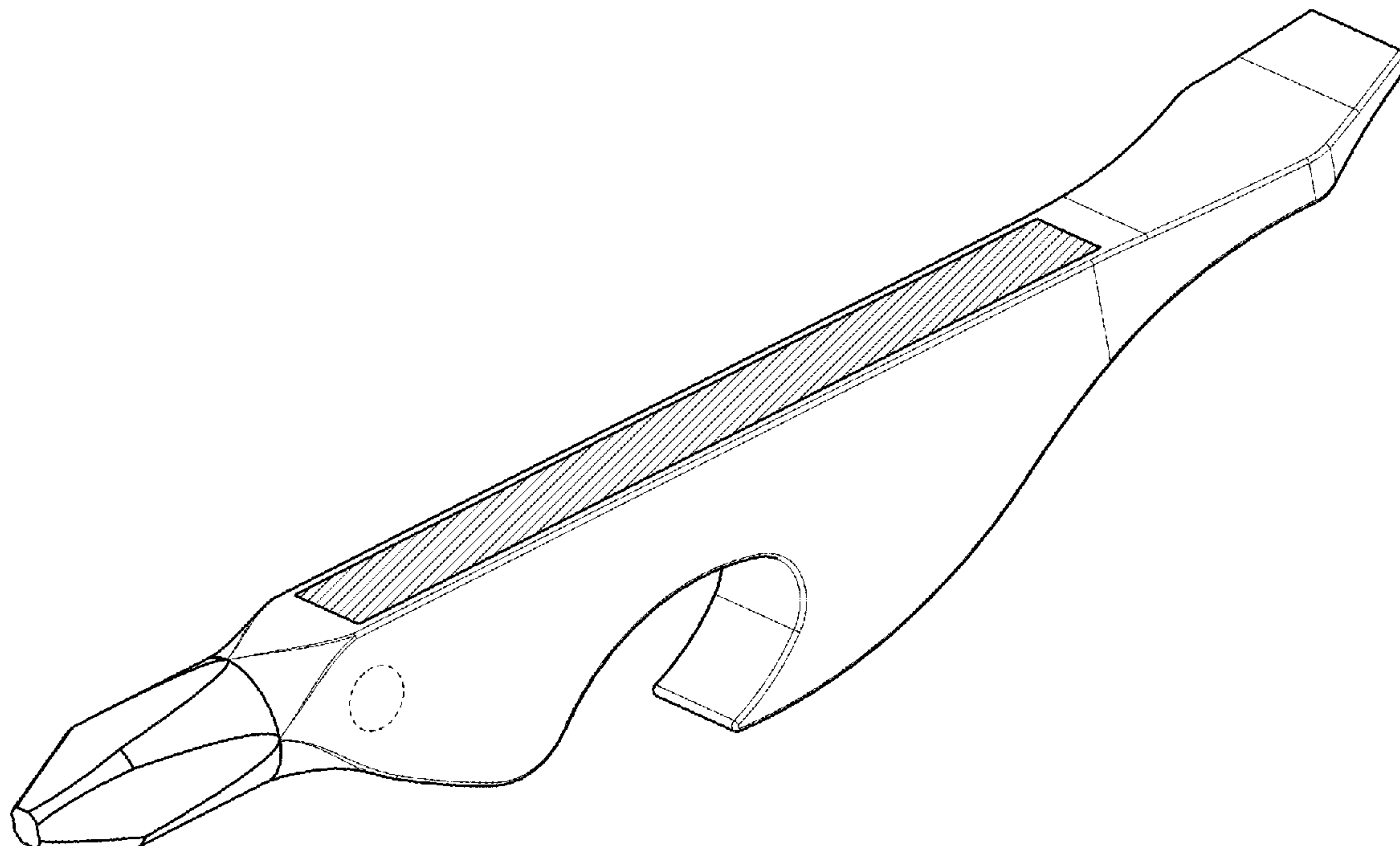
(57) **CLAIM**
The ornamental design for a multi purpose hand tool, as shown and described.

DESCRIPTION

FIG. 1 is a perspective view showing the front, top, and left sides of a multi purpose hand tool;
FIG. 2 is a left elevation view, the right side being a mirror image thereof;
FIG. 3 is a top elevational view thereof;
FIG. 4 is a bottom elevational view thereof;
FIG. 5 is a front elevational view thereof; and,
FIG. 6 is a rear elevational view thereof.
The broken lines depict a portion of the multi purpose hand tool that forms no part of the claimed design.

1 Claim, 5 Drawing Sheets

- (56) **References Cited**
U.S. PATENT DOCUMENTS
- | | | | |
|-----------|---|---------|---------|
| 1,972,920 | A | 9/1934 | Deuse |
| 4,361,920 | A | 12/1982 | Zanni |
| 5,169,305 | A | 12/1992 | Kee |
| D354,895 | S | 1/1995 | Flynn |
| D356,240 | S | 3/1995 | Meldahl |
| D409,464 | S | 5/1999 | Garza |



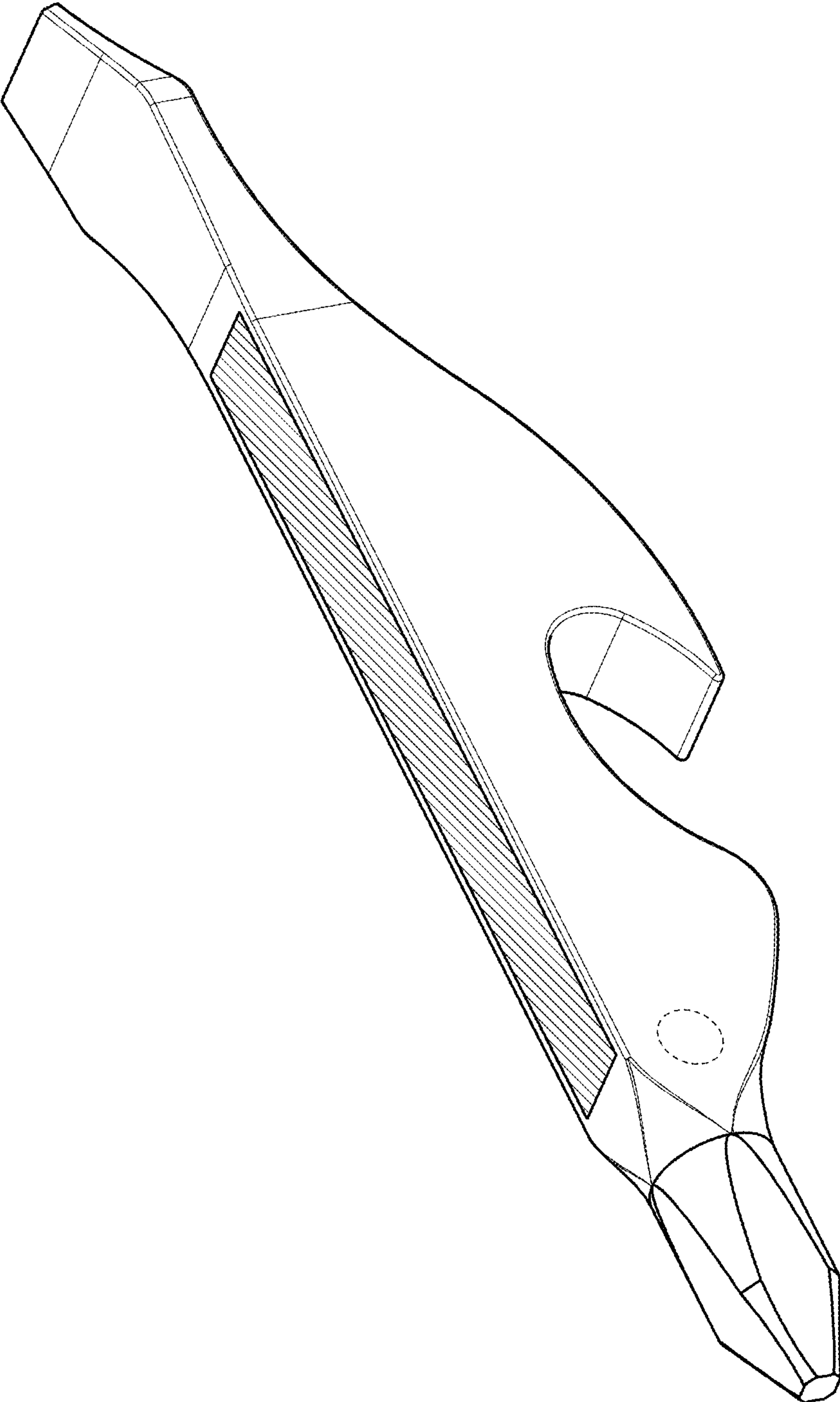


FIG. 1

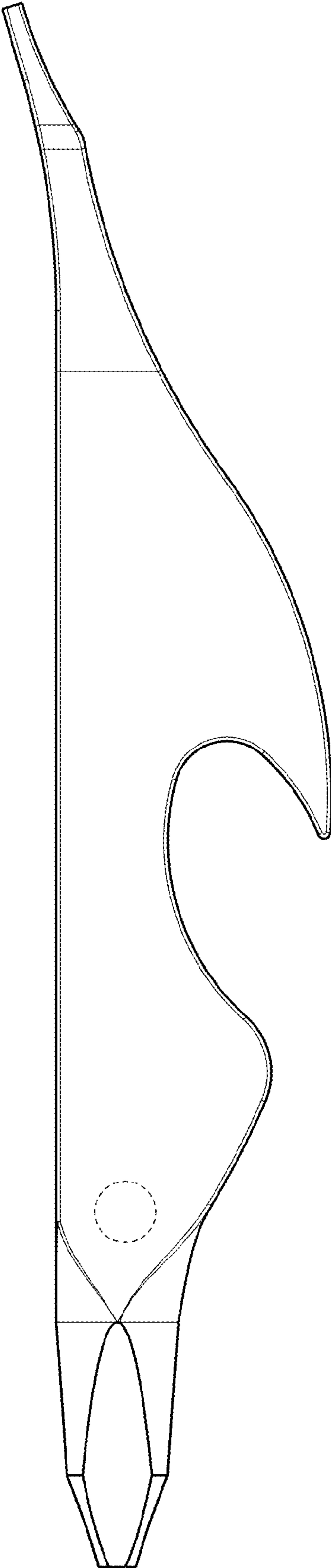


FIG. 2

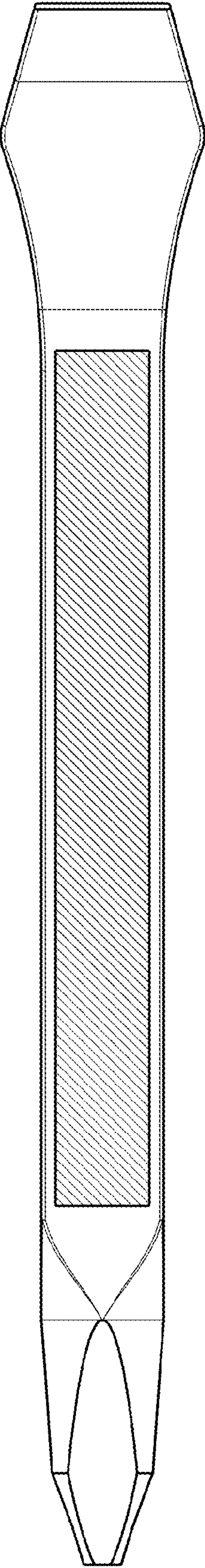


FIG. 3

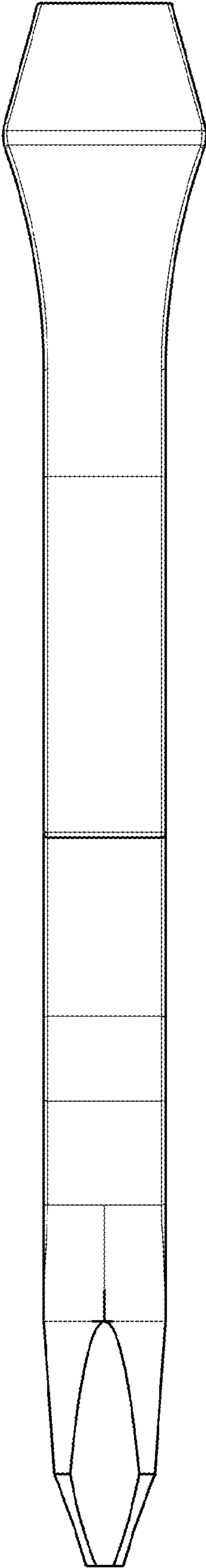


FIG. 4

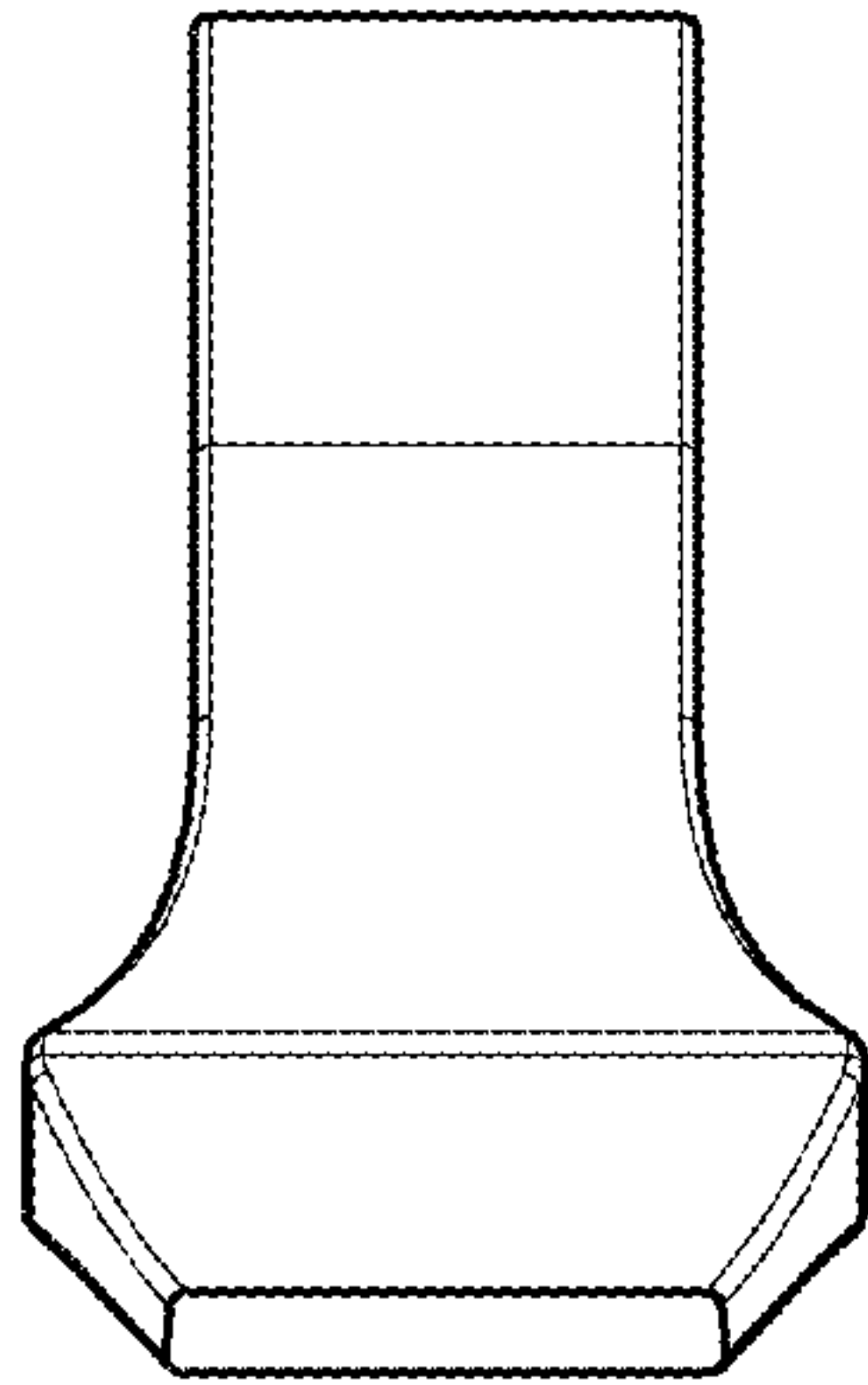


FIG. 6

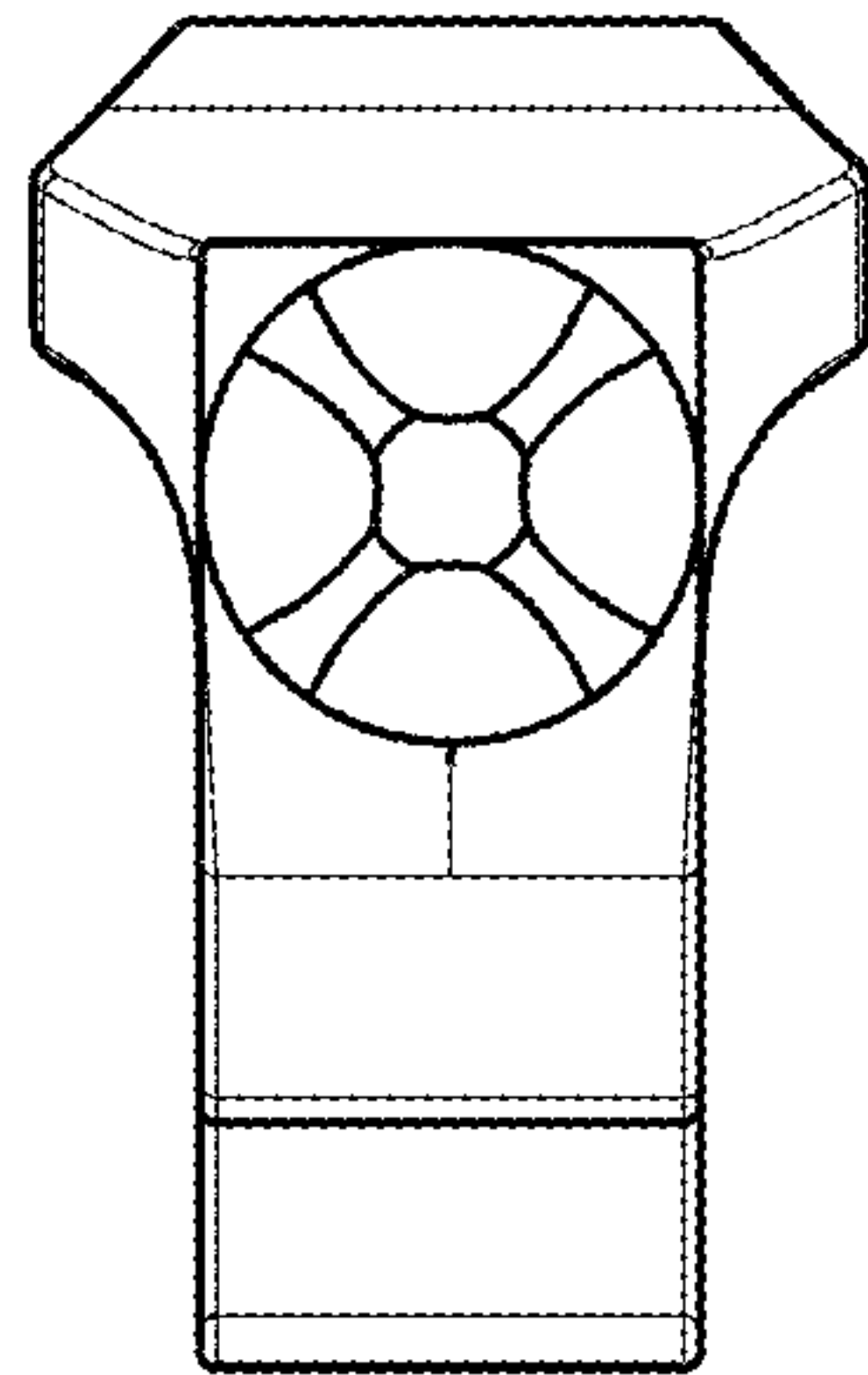


FIG. 5