



US00D758822S

(12) **United States Design Patent**  
**Windom**

(10) **Patent No.:** **US D758,822 S**  
(45) **Date of Patent:** **\*\* Jun. 14, 2016**

(54) **COMBINATION KNIFE AND FLASHLIGHT**  
(71) Applicant: **Coast Cutlery Co., Portland, OR (US)**  
(72) Inventor: **Gregory David Windom, Portland, OR (US)**  
(73) Assignee: **Coast Cutlery Co., Portland, OR (US)**  
(\*\*) Term: **14 Years**

(21) Appl. No.: **29/507,996**  
(22) Filed: **Oct. 31, 2014**  
(51) **LOC (10) Cl.** ..... **08-03**  
(52) **U.S. Cl.**  
USPC ..... **D8/99**  
(58) **Field of Classification Search**  
USPC ..... D8/98, 99, 100, 105, 107; D22/118;  
D26/118  
CPC ..... B25B 23/18; B26B 11/008; B26B 11/00;  
B26B 1/02; B26B 11/001; B26B 11/003;  
F21V 33/00  
See application file for complete search history.

(56) **References Cited**  
U.S. PATENT DOCUMENTS  
5,313,376 A \* 5/1994 McIntosh ..... B26B 11/008  
362/119  
5,402,575 A \* 4/1995 Maxcy ..... B26B 11/00  
30/123  
D371,289 S \* 7/1996 Huang ..... D8/107

5,626,414 A \* 5/1997 Chen ..... B26B 11/008  
362/119  
5,727,319 A \* 3/1998 Myerchin ..... B26B 11/008  
30/123  
D408,256 S \* 4/1999 Maxcy ..... D8/99  
D412,355 S \* 7/1999 Sætherbo ..... D22/118  
D432,889 S \* 10/2000 Chu ..... D8/99  
D439,495 S \* 3/2001 McCalla ..... D22/118  
D474,391 S \* 5/2003 Padden ..... D26/38  
7,063,435 B2 \* 6/2006 Dallas ..... B26B 11/008  
30/123  
D525,103 S \* 7/2006 Linn ..... D8/99

\* cited by examiner

*Primary Examiner* — Phillip S Hyder

(74) *Attorney, Agent, or Firm* — Schwabe Williamson & Wyatt

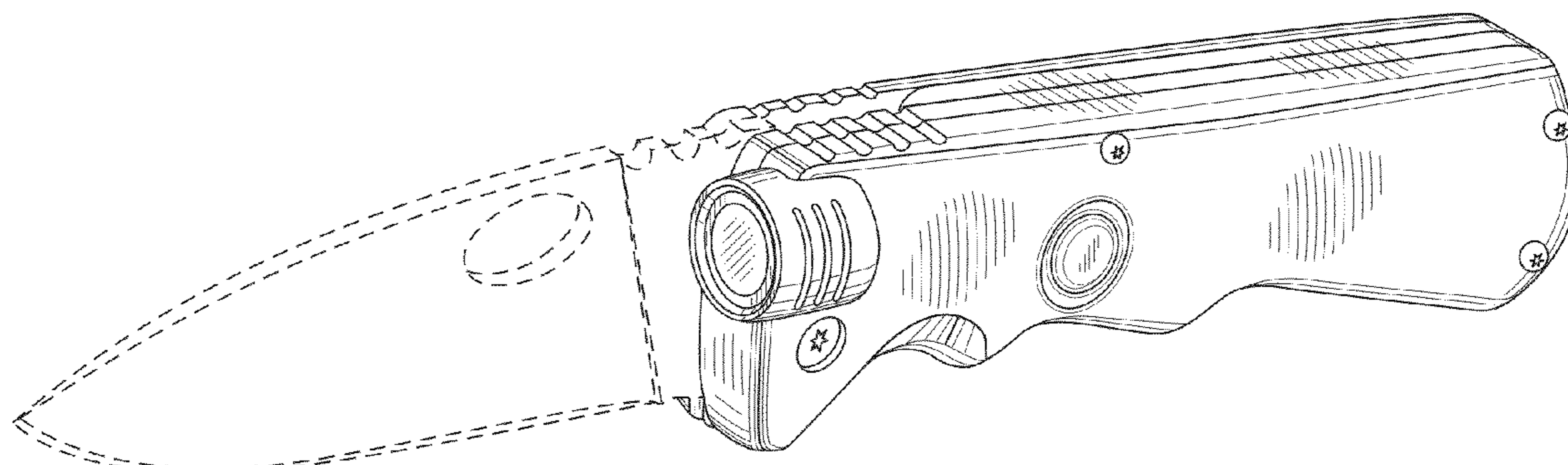
(57) **CLAIM**

I claim the ornamental design for combination knife and flashlight, as shown and described.

**DESCRIPTION**

FIG. 1 is a top front perspective view of a combination knife and flashlight showing my new design;  
FIG. 2 is a bottom front perspective view thereof;  
FIG. 3 is a front elevation view thereof;  
FIG. 4 is a rear elevation view thereof;  
FIG. 5 is a top plan view thereof;  
FIG. 6 is a bottom plan view thereof;  
FIG. 7 left side elevation view thereof; and,  
FIG. 8 right side elevation view thereof.  
The broken line showing of the blade is provided for purposes of environment and forms no part of the claimed design.

**1 Claim, 2 Drawing Sheets**



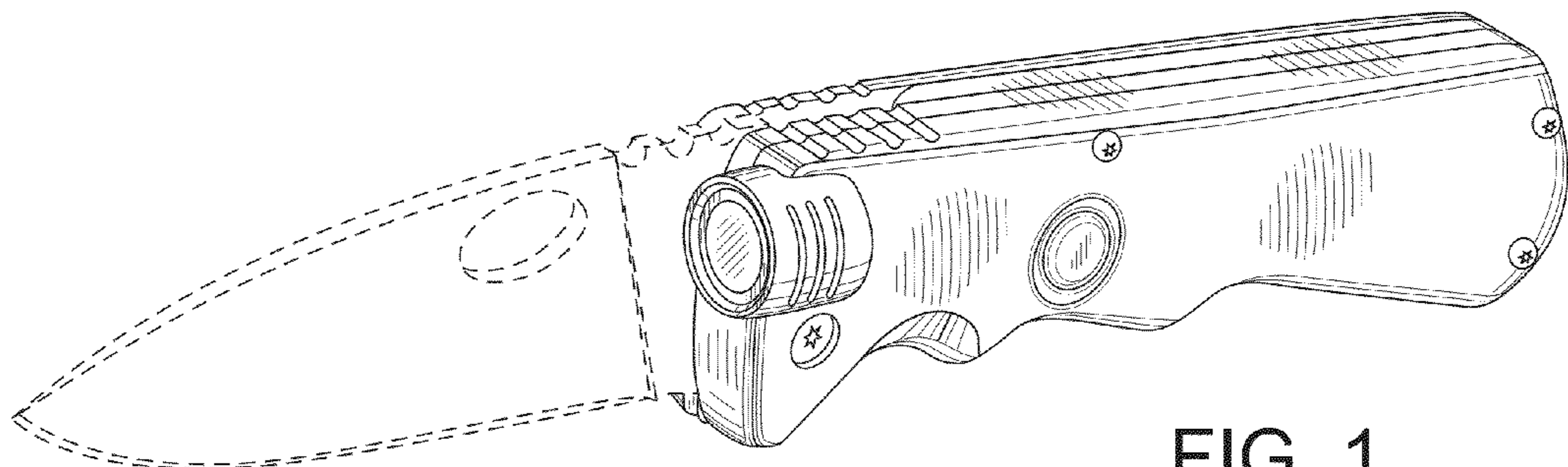


FIG. 1

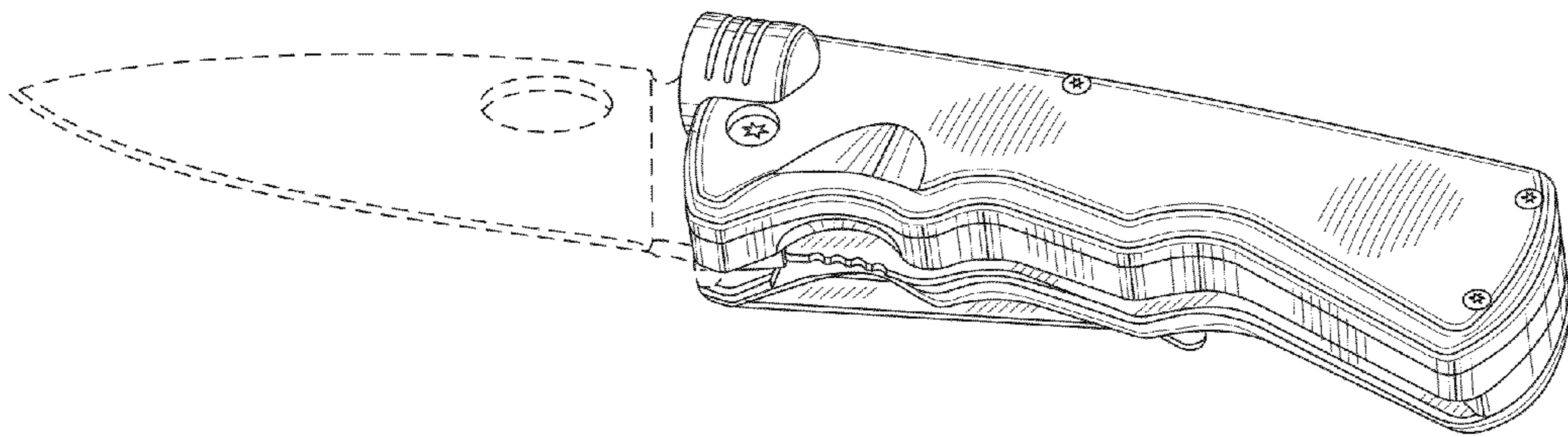


FIG. 2

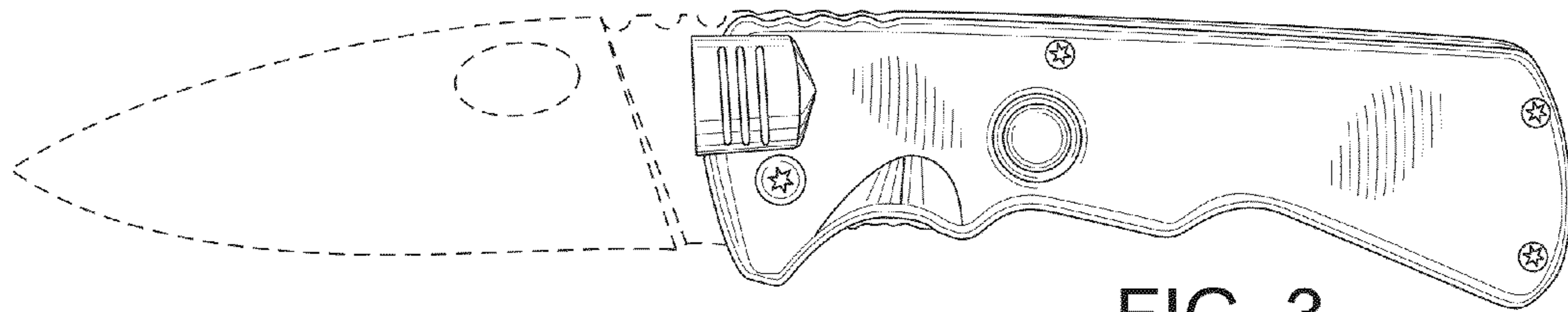


FIG. 3

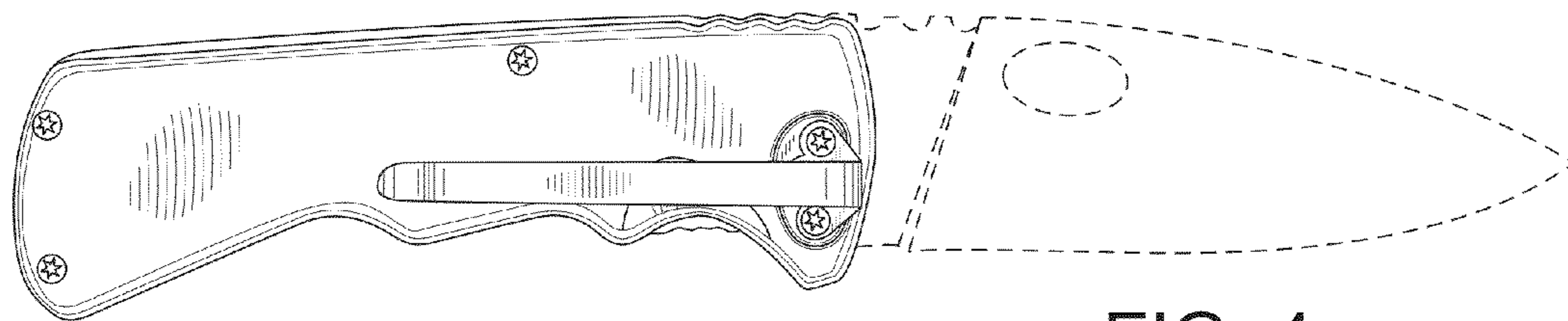


FIG. 4

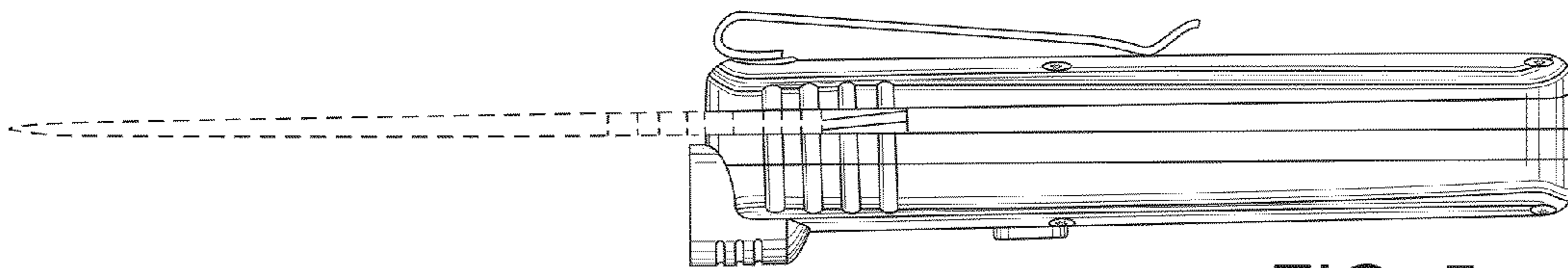


FIG. 5

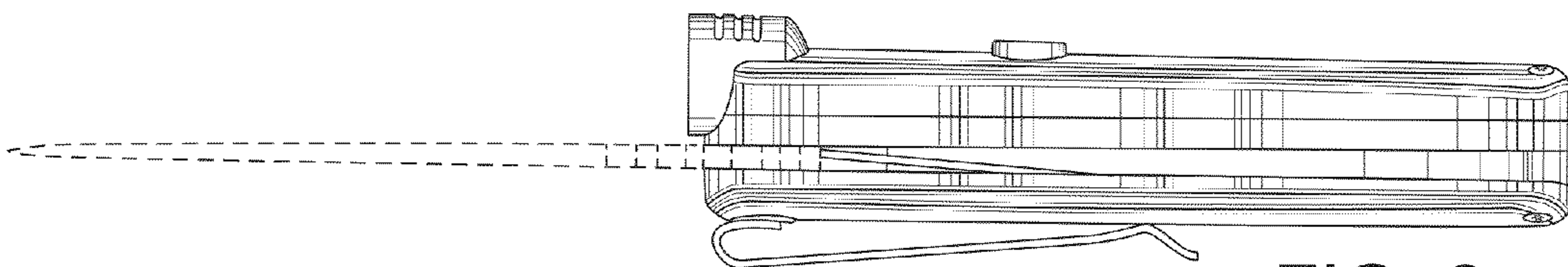


FIG. 6

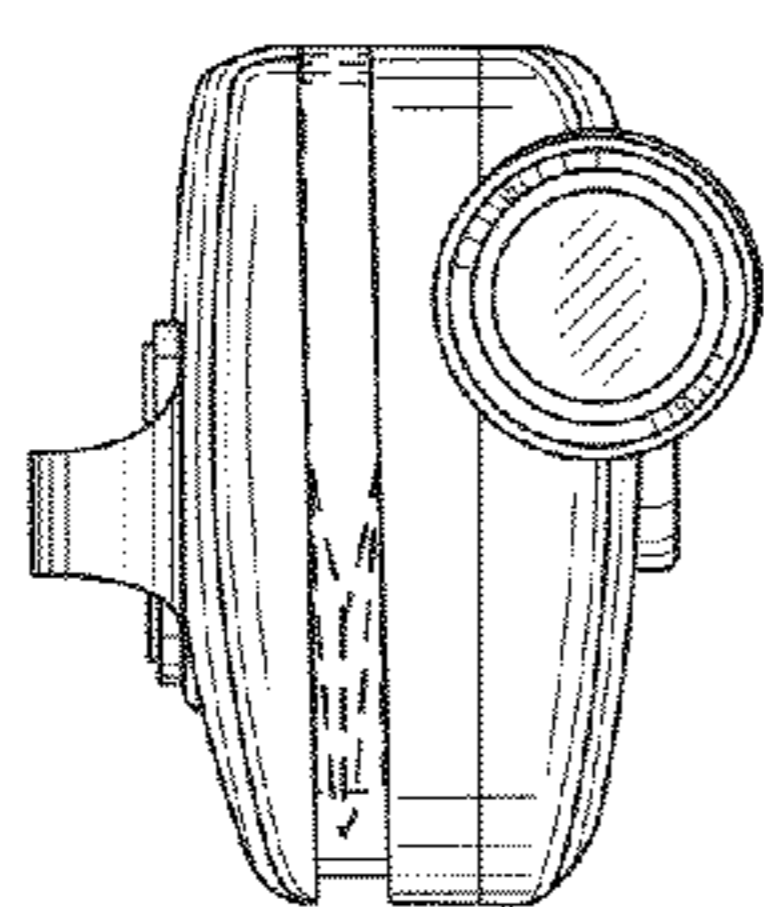


FIG. 7

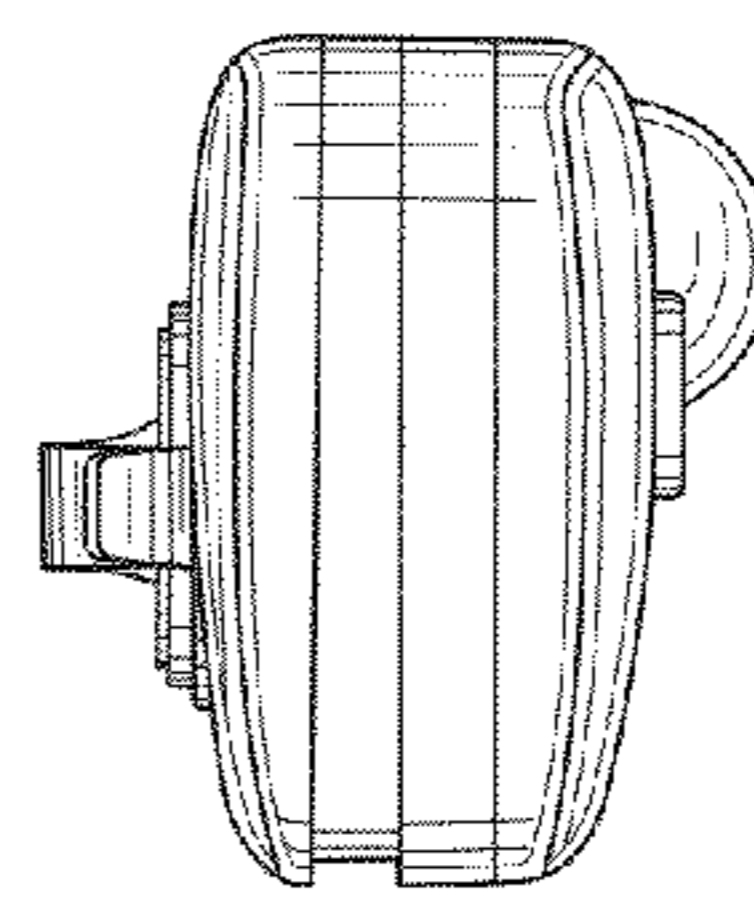


FIG. 8