



US00D758821S

(12) **United States Design Patent**  
**Kidd**

(10) **Patent No.:** **US D758,821 S**  
(45) **Date of Patent:** **\*\* Jun. 14, 2016**

(54) **KNIFE SHARPENER**  
(71) Applicant: **Bisbell Magnetic Products Limited**,  
Burton upon Trent, Staffordshire (GB)  
(72) Inventor: **David Joseph Kidd**, Buxton (GB)  
(73) Assignee: **BISBELL MAGNETIC PRODUCTS LIMITED**, Burton Upon Trent,  
Staffordshire (GB)

D162,356 S \* 3/1951 Smith ..... D8/92  
D162,768 S \* 4/1951 Anheuser ..... D8/93  
D165,318 S \* 12/1951 Anheuser ..... D8/93  
D169,056 S \* 3/1953 Chapin ..... D8/93  
D322,922 S \* 1/1992 Swanson et al. .... D8/91  
D348,374 S \* 7/1994 Dandurand ..... D7/698  
D348,591 S \* 7/1994 Willis ..... D7/698  
D492,166 S \* 6/2004 Kaposi ..... D7/698  
D614,932 S \* 5/2010 deBretton Gordon ..... D8/93  
D618,979 S \* 7/2010 deBretton Gordon ..... D8/93  
D630,914 S \* 1/2011 Aviles ..... D7/698

(\*\*) Term: **14 Years**  
(21) Appl. No.: **29/458,991**  
(22) Filed: **Jun. 25, 2013**

(30) **Foreign Application Priority Data**  
Jan. 24, 2013 (EM) ..... 001358477-0001  
Jan. 24, 2013 (EM) ..... 001358477-0002

(51) **LOC (10) Cl.** ..... **08-05**  
(52) **U.S. Cl.**  
USPC ..... **D8/93**

(58) **Field of Classification Search**  
USPC ..... D8/90-94, 105; 451/34, 461, 486, 552  
CPC ..... B24B 3/54; B24B 3/546; B24D 15/065;  
B24D 15/08; B24D 15/081; B24D 15/082  
See application file for complete search history.

(56) **References Cited**  
U.S. PATENT DOCUMENTS  
D151,323 S \* 10/1948 Chapin et al. .... D8/93  
D151,324 S \* 10/1948 Chapin et al. .... D8/93

**OTHER PUBLICATIONS**

Knife Rack Sharpener. Downloaded from <http://www.bisbellmagnets.com/knife-sharpener> on Feb. 20, 2015.\*

\* cited by examiner

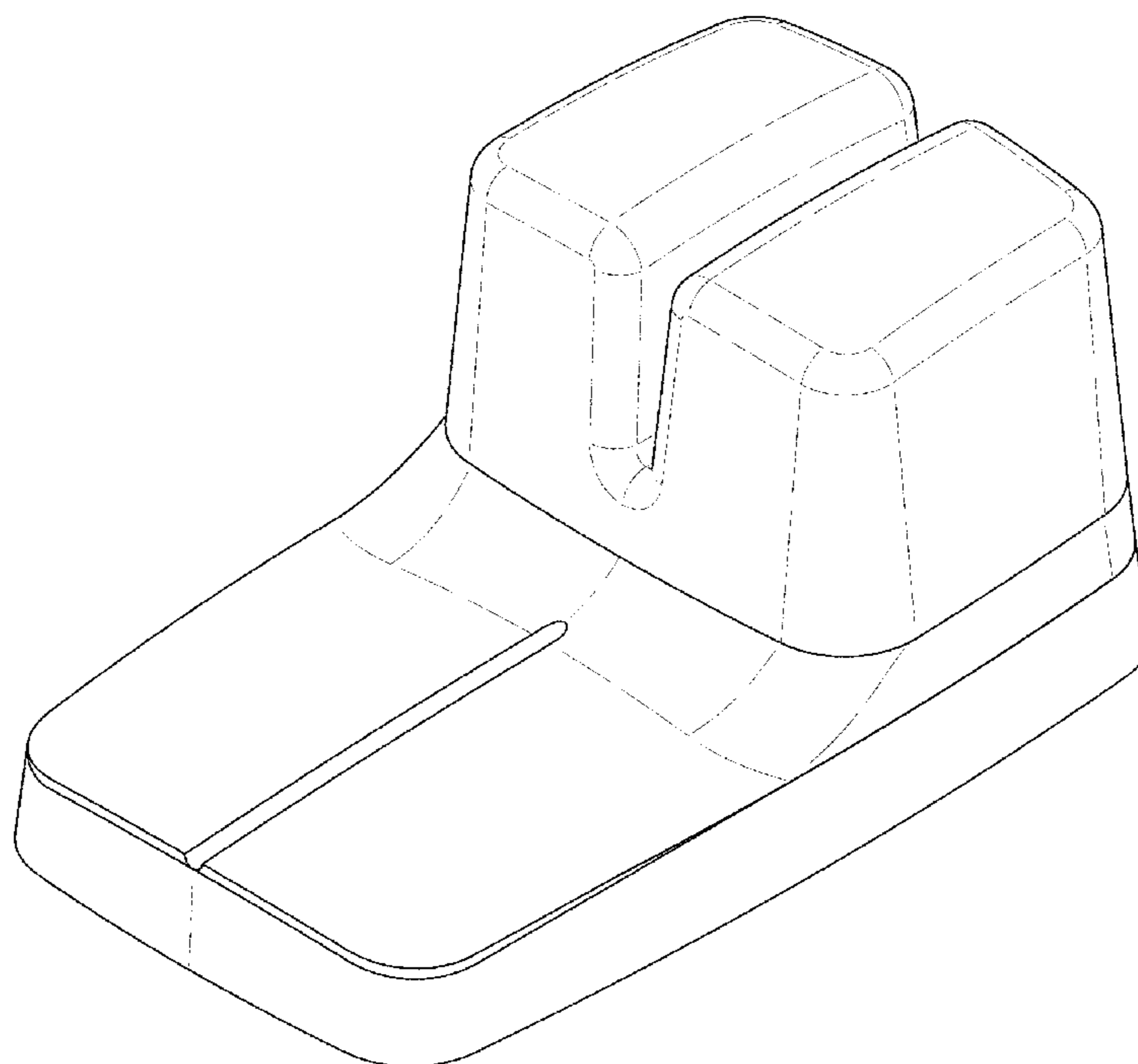
*Primary Examiner* — Philip S Hyder  
*Assistant Examiner* — Roselynn Cody  
(74) *Attorney, Agent, or Firm* — King & Schickli, PLLC

(57) **CLAIM**  
The ornamental design for a knife sharpener, as shown and described.

**DESCRIPTION**

FIG. 1 is a front perspective view of the knife sharpener of the present invention;  
FIG. 2 is a top view of the knife sharpener of FIG. 1;  
FIG. 3 is a rear view of the knife sharpener of FIG. 1; and,  
FIG. 4 is a right side view of the knife sharpener of FIG. 1, the left side being a mirror image thereof.

**1 Claim, 4 Drawing Sheets**



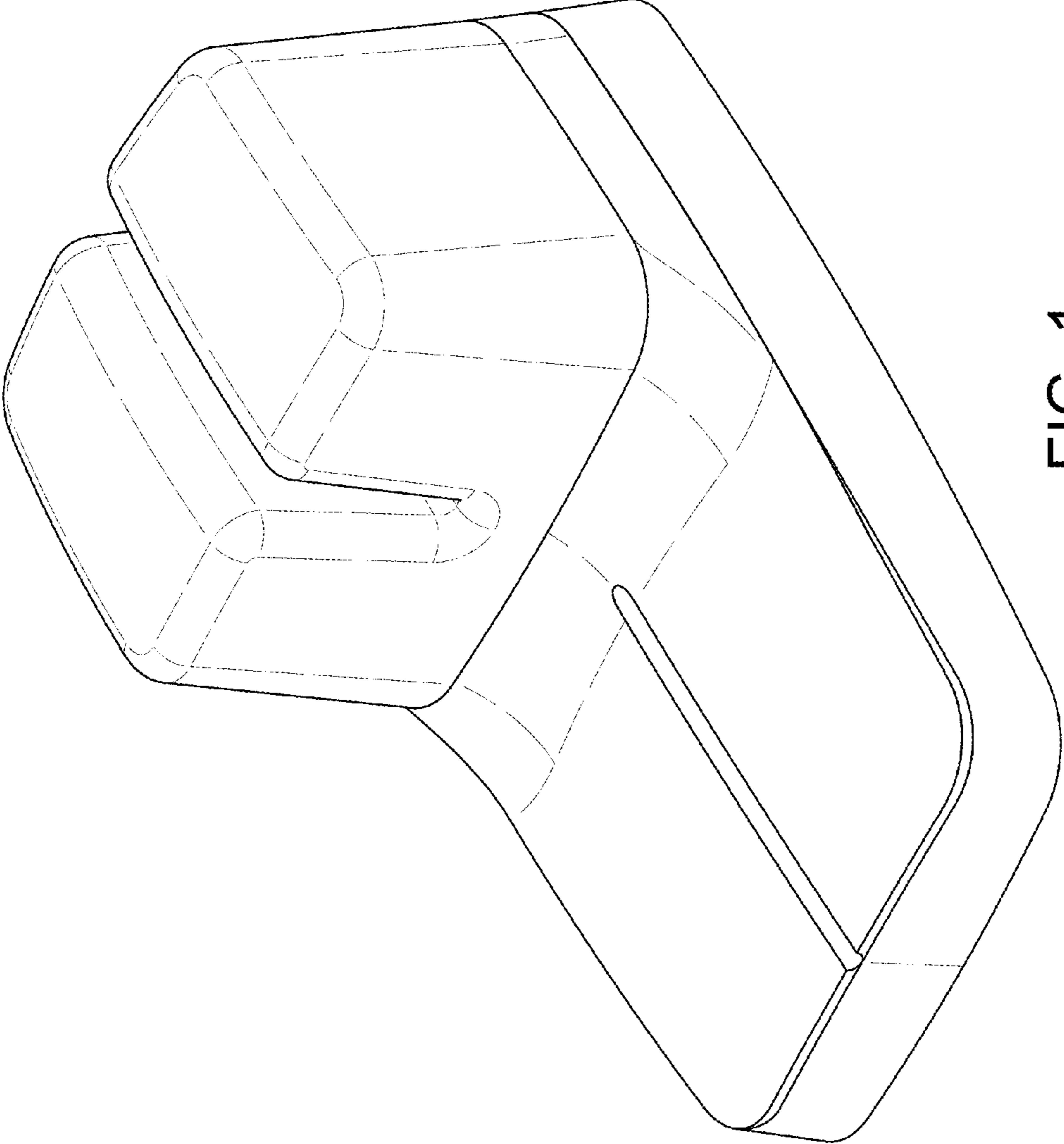


FIG. 1

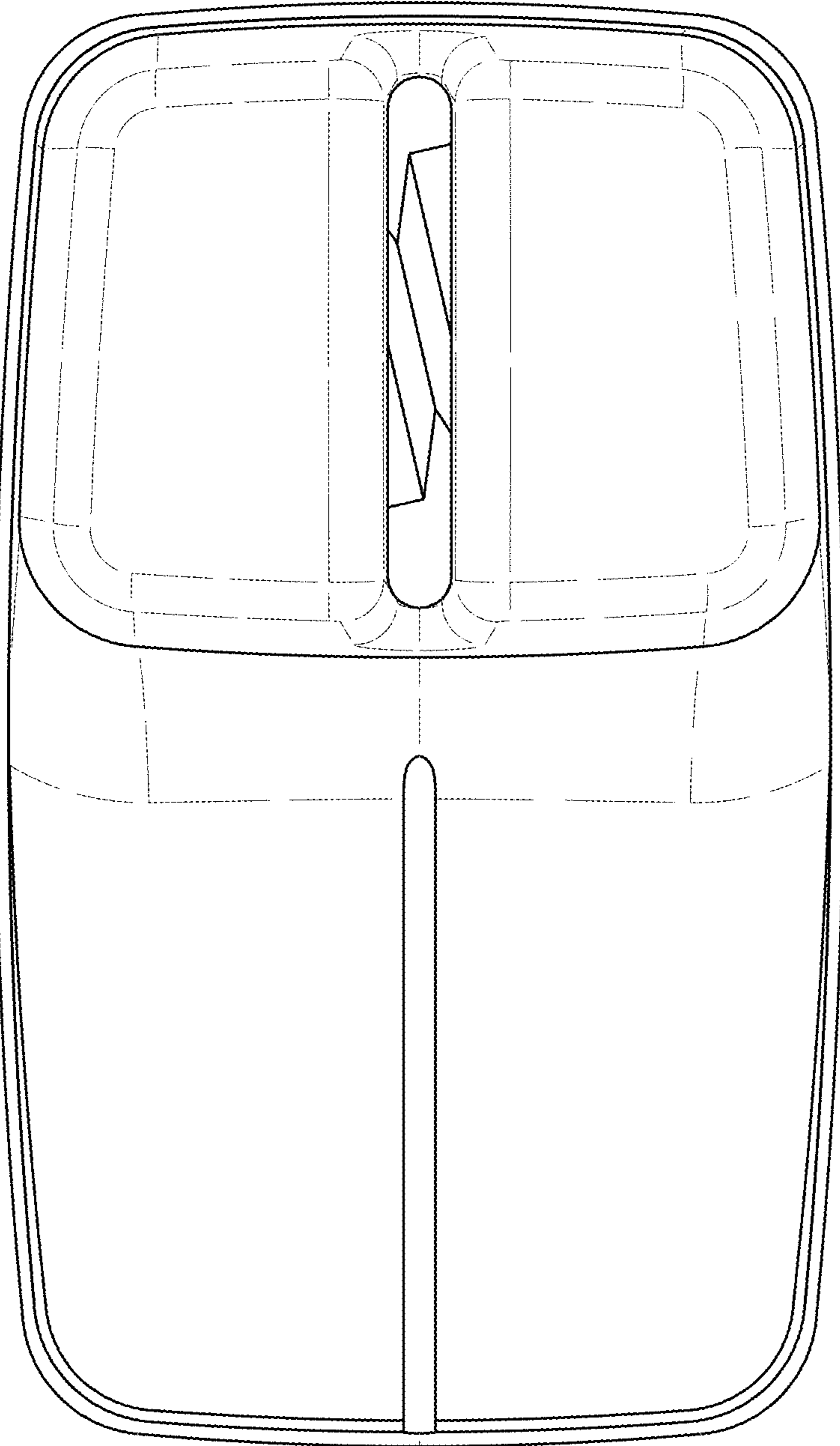


FIG. 2

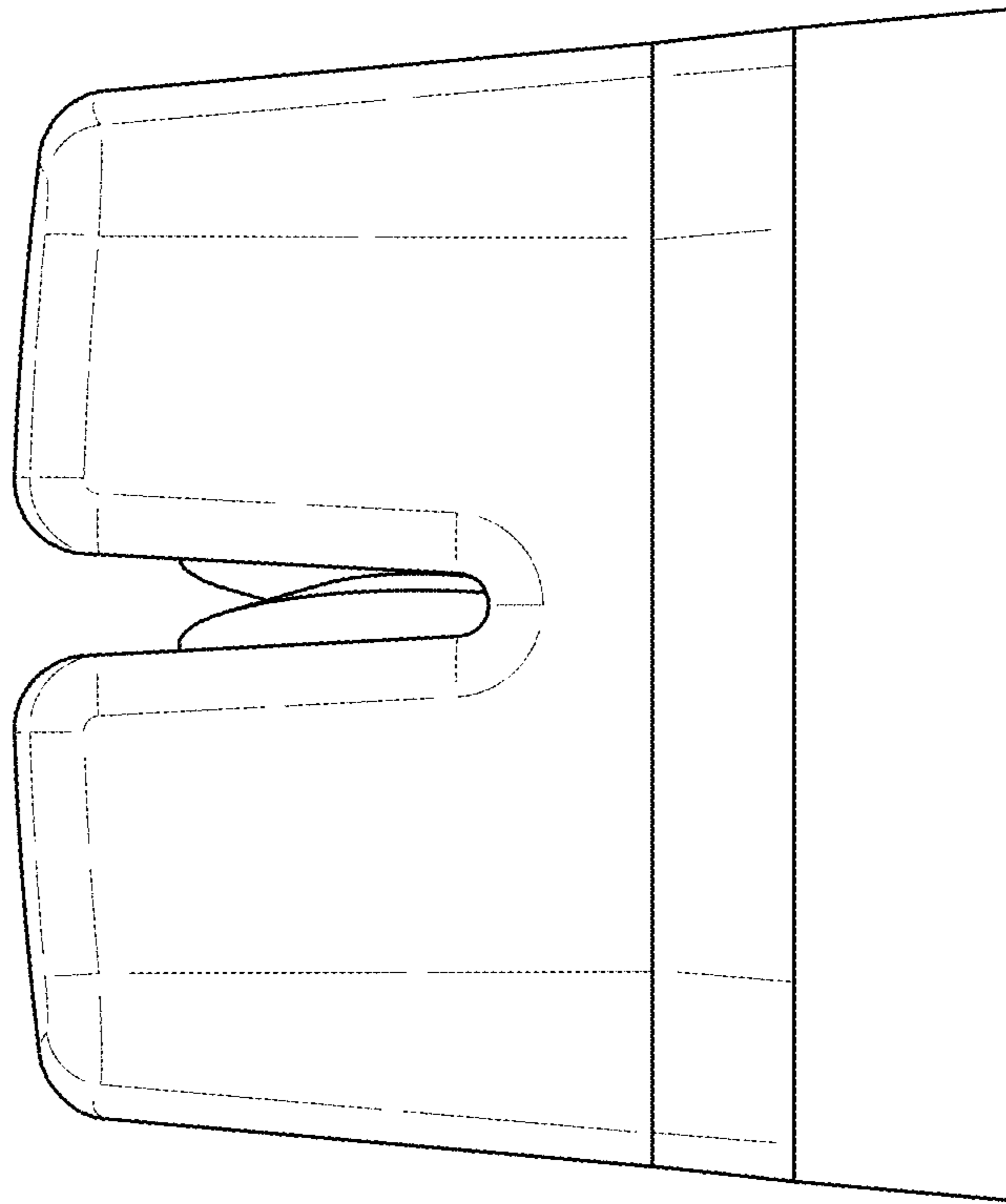


FIG. 3

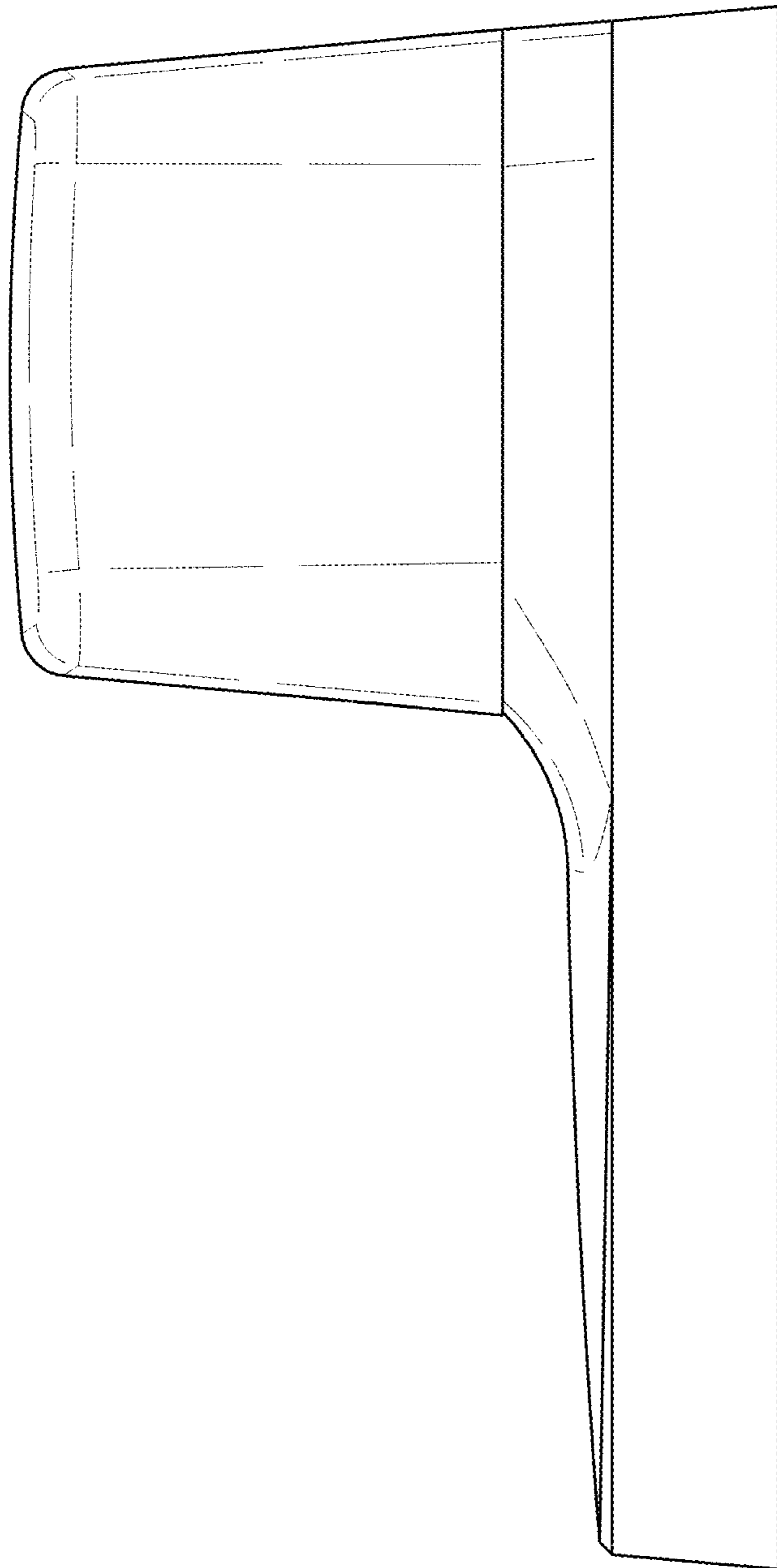


FIG. 4