



US00D758818S

(12) **United States Design Patent**  
**Nelson**

(10) **Patent No.:** **US D758,818 S**  
(45) **Date of Patent:** **\*\* Jun. 14, 2016**

- (54) **TOOL HANDLE**
- (71) Applicant: **Homer TLC, Inc.**, Wilmington, DE (US)
- (72) Inventor: **Michael Nelson**, Peachtree City, GA (US)
- (73) Assignee: **Home Depot Product Authority, LLC**, Atlanta, GA (US)
- (\*\*) Term: **14 Years**
- (21) Appl. No.: **29/465,987**
- (22) Filed: **Sep. 3, 2013**
- (51) **LOC (10) Cl.** ..... **08-02**
- (52) **U.S. Cl.**  
USPC ..... **D8/80**
- (58) **Field of Classification Search**  
USPC ..... D8/75-81, 105, 107, 303; 81/19-26, 81/489-490; 76/103; D22/117; D21/756; 473/302  
CPC .... A63B 49/08; A63B 53/14; A63B 59/0014; A63B 59/0029; B25G 1/00; B25G 1/01; B25G 1/02; B25G 1/04; B25G 1/10; B25G 3/34; B26B 23/00  
See application file for complete search history.

(56) **References Cited**

U.S. PATENT DOCUMENTS

2,195,626	A *	4/1940	Lamkin	473/302
D179,018	S	10/1956	Lowe et al.	
D182,077	S *	2/1958	MacMin	D8/77
4,174,109	A *	11/1979	Gaiser	473/204
D285,284	S	8/1986	Blomqvist	
4,718,313	A *	1/1988	Yamaguchi	81/23
4,723,582	A	2/1988	Caspall	
4,738,166	A *	4/1988	Yamaguchi	81/22
D302,515	S	8/1989	Kandel	
5,056,381	A *	10/1991	Carmein	76/103
D322,021	S	12/1991	Hsu	

D324,473	S *	3/1992	Chen	D8/80
D325,863	S	5/1992	Chen et al.	
D347,780	S	6/1994	Hreha	
D376,089	S	12/1996	Allen	
D391,316	S *	2/1998	Morris et al.	D21/756
D399,720	S *	10/1998	Owens et al.	D8/98
D401,639	S *	11/1998	Yeh	D21/756
5,926,911	A *	7/1999	Chen	16/111.1
5,988,020	A *	11/1999	Johnson	81/23
D422,869	S	4/2000	Chen et al.	
D424,903	S *	5/2000	Hreha et al.	D8/80
D429,985	S	8/2000	Tovar	
D432,381	S *	10/2000	Khachatoorian	D8/80
D436,821	S	1/2001	Douglas et al.	
6,170,362	B1	1/2001	Chen	
D444,689	S	7/2001	Staton et al.	
D448,646	S *	10/2001	Sargentelli	D8/303

(Continued)

OTHER PUBLICATIONS

Image of 27-ounce Husky deadblow hammer, offered for sale in the United States at least prior to Sep. 3, 2013.

(Continued)

*Primary Examiner* — Philip S Hyder  
*Assistant Examiner* — Roselynn Cody  
(74) *Attorney, Agent, or Firm* — Greenberg Traurig, LLP

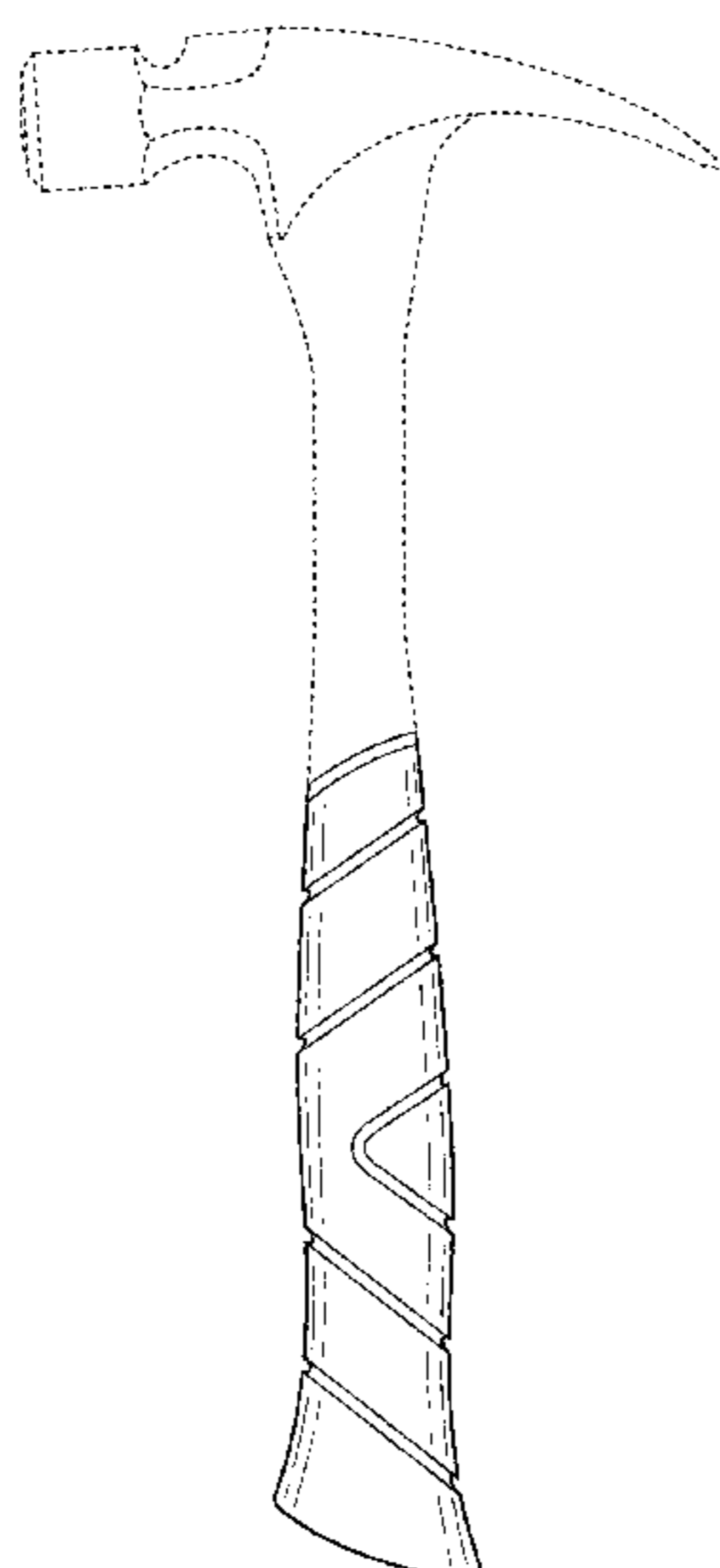
(57) **CLAIM**

The ornamental design for a tool handle, as shown and described.

**DESCRIPTION**

FIG. 1 is a rear view of my design; FIG. 2 is a front view thereof; and, FIG. 3 is a right side view thereof, the left side view being a mirror image thereof. The dashed lines in FIGS. 1-3 represent hammer neck and head portions that may extend from the tool handle and form no part of the claimed design.

**1 Claim, 1 Drawing Sheet**



(56)

References Cited

U.S. PATENT DOCUMENTS

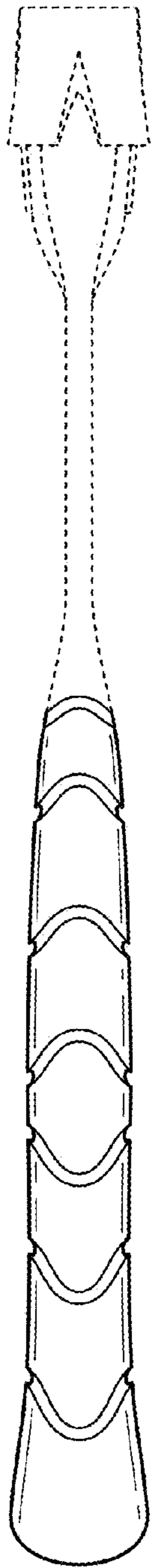
D452,126 S 12/2001 Hung  
 D470,380 S 2/2003 Huang  
 D474,662 S \* 5/2003 Canino et al. .... D8/25  
 D478,492 S \* 8/2003 Levine et al. .... D8/80  
 D481,292 S 10/2003 Chen  
 D483,643 S 12/2003 Chien  
 D490,679 S 6/2004 Hung  
 D499,137 S \* 11/2004 Shibata ..... D19/166  
 D505,609 S 5/2005 Hung  
 D511,082 S 11/2005 Chen  
 D519,017 S 4/2006 Hsieh  
 D519,814 S 5/2006 Hung  
 D524,627 S 7/2006 Chen  
 D531,479 S 11/2006 Davis  
 D531,875 S 11/2006 Chen  
 D532,275 S \* 11/2006 Lin ..... D8/107  
 D532,472 S \* 11/2006 Schaufele et al. .... D21/756  
 D533,759 S 12/2006 Hopper et al.  
 D534,409 S 1/2007 Chen  
 D534,975 S \* 1/2007 Norton et al. .... D21/756  
 D535,539 S 1/2007 Chen  
 D538,626 S 3/2007 Hsieh-Yeh  
 D538,868 S \* 3/2007 Norton et al. .... D21/756  
 D554,724 S \* 11/2007 Savasky ..... D21/756  
 D566,509 S 4/2008 Vanderbeek  
 D572,557 S 7/2008 Fraga et al.  
 D574,690 S 8/2008 Chen  
 D576,852 S \* 9/2008 Lin ..... D8/25  
 D581,766 S \* 12/2008 Heneen et al. .... D8/107  
 D605,922 S 12/2009 Reinius  
 D609,547 S 2/2010 Pell  
 D611,796 S 3/2010 Davidson

D619,442 S 7/2010 Chen  
 D622,327 S \* 8/2010 Roos et al. .... D21/398  
 D622,330 S \* 8/2010 Jablonski et al. .... D21/567  
 D628,870 S 12/2010 Jerabek et al.  
 D633,957 S \* 3/2011 Brown et al. .... D21/567  
 D651,056 S \* 12/2011 Robinson et al. .... D8/25  
 D651,063 S 12/2011 Robinson et al.  
 D651,879 S \* 1/2012 Robinson et al. .... D8/25  
 D651,880 S \* 1/2012 Robinson et al. .... D8/25  
 D653,784 S \* 2/2012 Kelly et al. .... D26/38  
 D654,341 S \* 2/2012 Hantke et al. .... D8/89  
 D655,594 S \* 3/2012 Robinson et al. .... D8/107  
 D656,809 S \* 4/2012 Mullen et al. .... D8/107  
 D674,264 S \* 1/2013 Robinson et al. .... D8/83  
 2014/0182425 A1 \* 7/2014 Kuo et al. .... 81/489

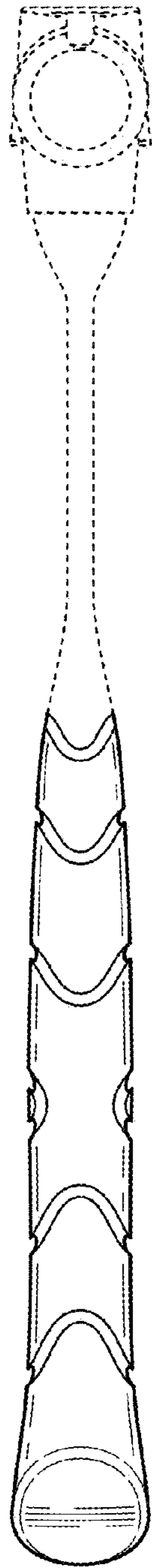
OTHER PUBLICATIONS

Image of 22-ounce Husky hickory hammer, offered for sale in the United States at least prior to Sep. 3, 2013.  
 Image of 20-ounce Husky steel rip hammer, offered for sale in the United States at least prior to Sep. 3, 2013.  
 Image of 17-ounce DeWalt hammer, offered for sale in the United States at least prior to Sep. 3, 2013.  
 Image of 21-ounce Husky framing hammer, offered for sale in the United States at least prior to Sep. 3, 2013.  
 U.S. Appl. No. 29/440,607, filed Dec. 21, 2012, Nelson.  
 U.S. Appl. No. 29/465,974, filed Sep. 3, 2013, Nelson.  
 U.S. Appl. No. 29/465,979, filed Sep. 3, 2013, Nelson.  
 U.S. Appl. No. 29/465,990, filed Sep. 3, 2013, Nelson.  
 U.S. Appl. No. 29/465,991, filed Sep. 3, 2013, Nelson.  
 U.S. Appl. No. 29/465,992, filed Sep. 3, 2013, Nelson.

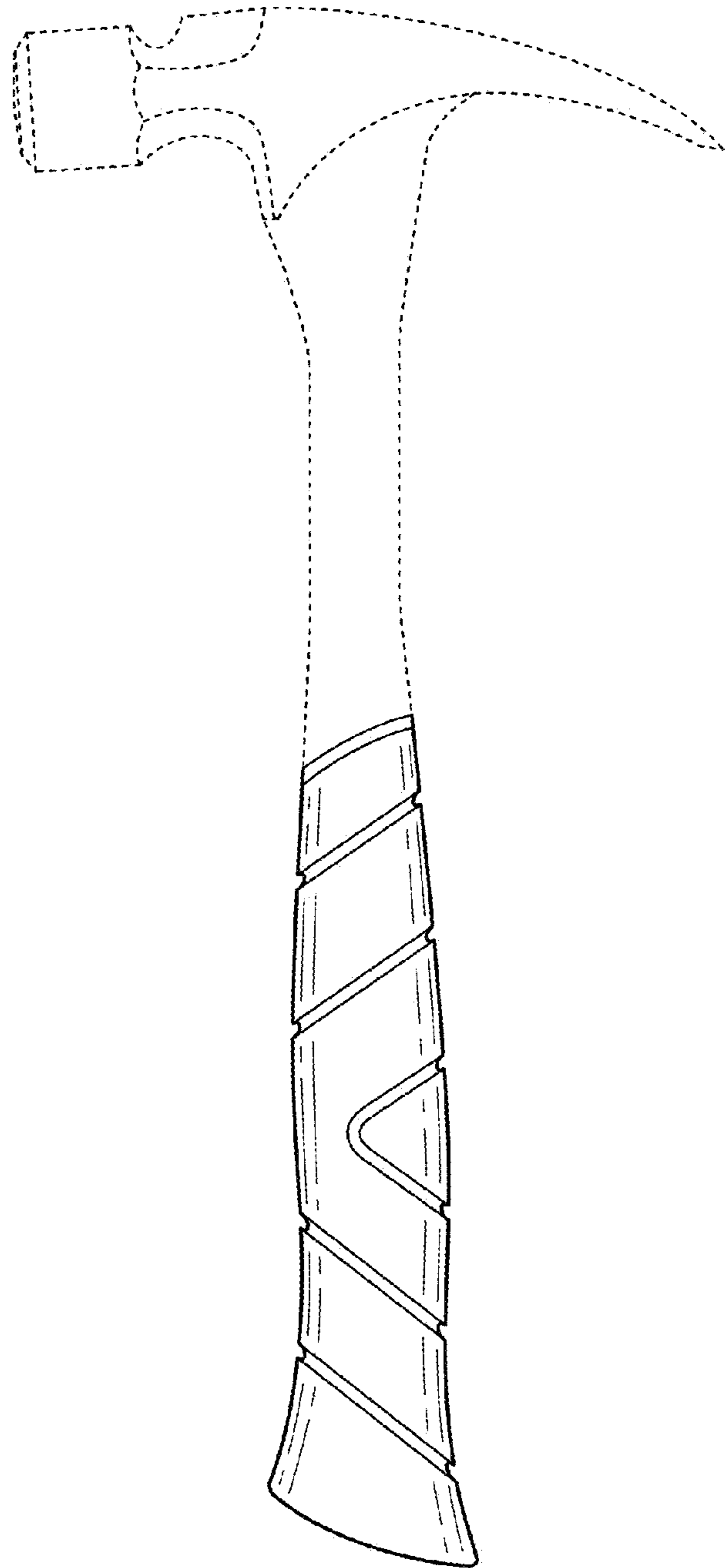
\* cited by examiner



**FIG. 1**



**FIG. 2**



**FIG. 3**