



US00D758817S

(12) **United States Design Patent**
Covel et al.

(10) **Patent No.:** **US D758,817 S**
(45) **Date of Patent:** **** Jun. 14, 2016**

(54) **MULTIPURPOSE CUTTING TOOL**

(75) Inventors: **Melissa L. Covel**, Vancouver, WA (US);
Tony Steven Peterson, Woodland, WA (US)

(73) Assignee: **Leatherman Tool Group, Inc.**,
Portland, OR (US)

(**) Term: **14 Years**

(21) Appl. No.: **29/428,859**

(22) Filed: **Aug. 3, 2012**

(51) **LOC (10) Cl.** **08-03**

(52) **U.S. Cl.**
USPC **D8/57**

(58) **Field of Classification Search**
USPC D8/51, 52, 55, 57, 98, 105; 30/255,
30/226, 146, 161; 7/118, 128, 106, 127
CPC B26B 13/005
See application file for complete search history.

(56) **References Cited**

U.S. PATENT DOCUMENTS

1,370,906	A *	3/1921	Newton	30/255
1,524,694	A *	2/1925	Di Maio	30/146
2,126,699	A *	8/1938	Florian	30/161
2,952,912	A *	9/1960	Crawford	30/255
3,766,648	A *	10/1973	Chundelak, Jr.	30/255
5,526,571	A *	6/1996	Linden	30/255
D382,455	S *	8/1997	Berg	D8/52
2014/0033542	A1 *	2/2014	Covel et al.	30/226

* cited by examiner

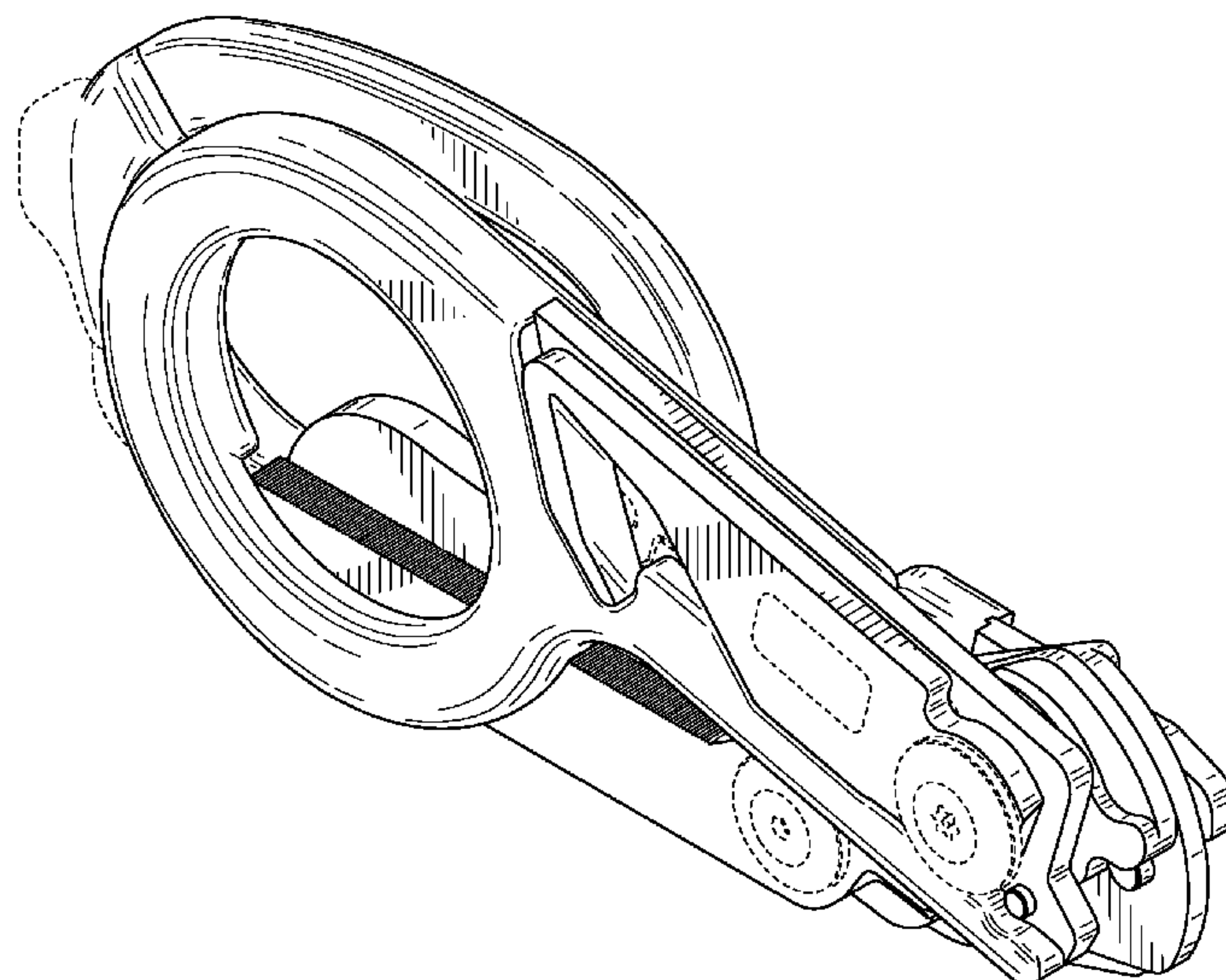
Primary Examiner — Ian Simmons
Assistant Examiner — Harold Blackwell, II
(74) *Attorney, Agent, or Firm* — Alston & Bird LLP

(57) **CLAIM**
We claim the ornamental design for a multipurpose cutting tool, as shown and described.

DESCRIPTION

FIG. 1 is a perspective view of a multipurpose cutting tool according to our new design, shown in a closed configuration; FIG. 2 is a left side elevation view thereof; FIG. 3 is a right side elevation view thereof; FIG. 4 is a top plan view thereof; FIG. 5 is a bottom plan view thereto; FIG. 6 is a front elevation view thereof; FIG. 7 is a rear elevation view thereof; FIG. 8 is another perspective view thereof, shown in an open configuration; FIG. 9 is a left side elevation view thereof; FIG. 10 is a right side elevation view thereof; FIG. 11 is a top plan view thereof; FIG. 12 is a bottom plan view thereto; FIG. 13 is a front elevation view thereof; FIG. 14 is a rear elevation view thereof; FIG. 15 is another left side elevation view thereof, shown in another open configuration with a cutting tool extended; FIG. 16 is another left side elevation view thereof, shown in another open configuration; and, FIG. 17 is another left side elevation view thereof, shown in another closed configuration with a cutting tool extended. The broken lines immediately adjacent to the shaded areas represent bounds of the claimed design. The broken lines in the drawings illustrate portions of the multipurpose cutting tool that form no part of the claimed design.

1 Claim, 17 Drawing Sheets



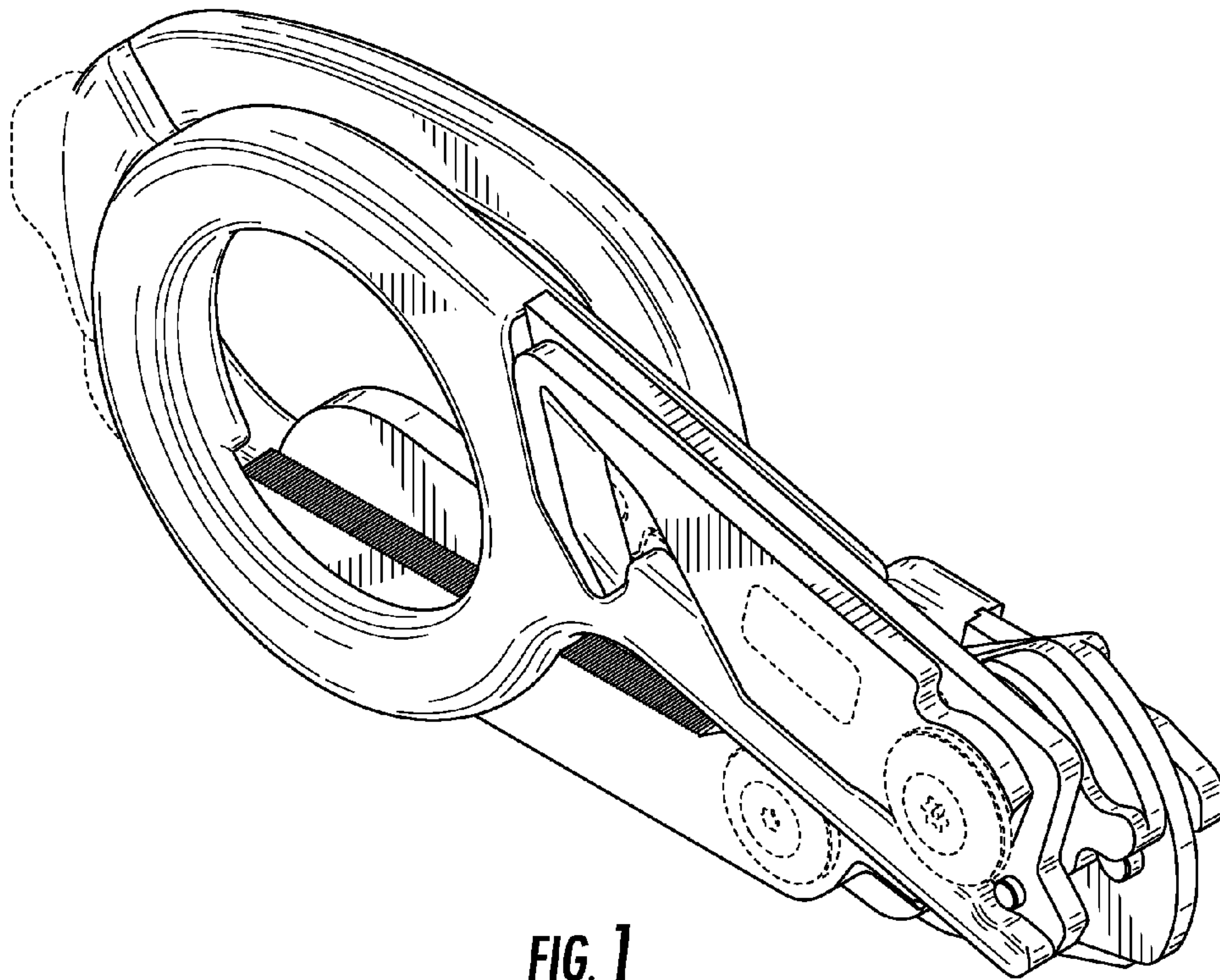


FIG. 1

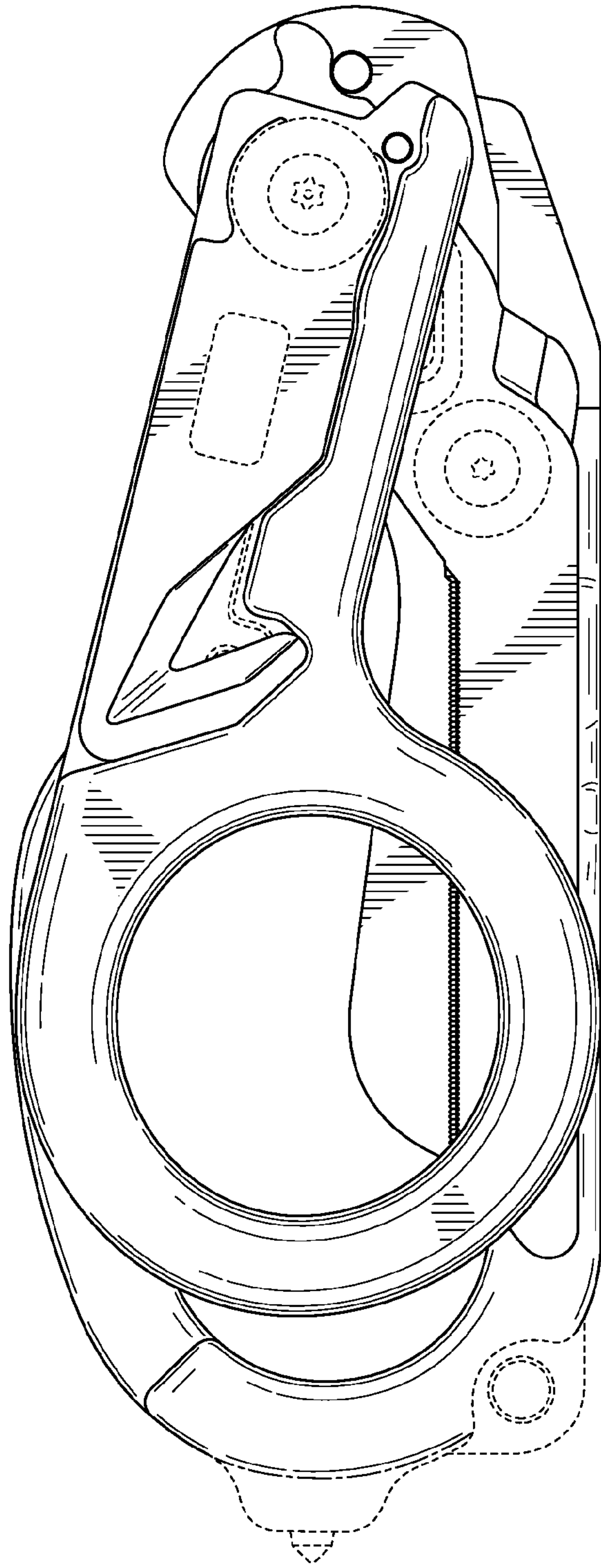


FIG. 2

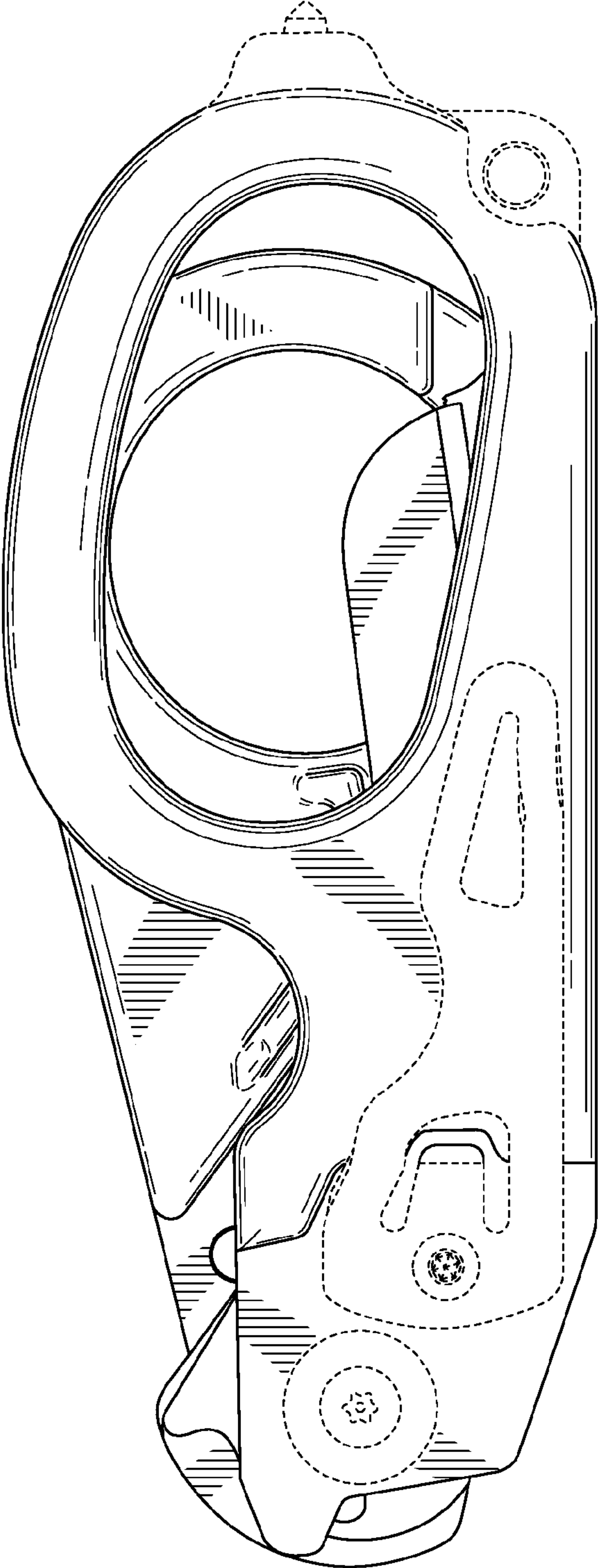


FIG. 3

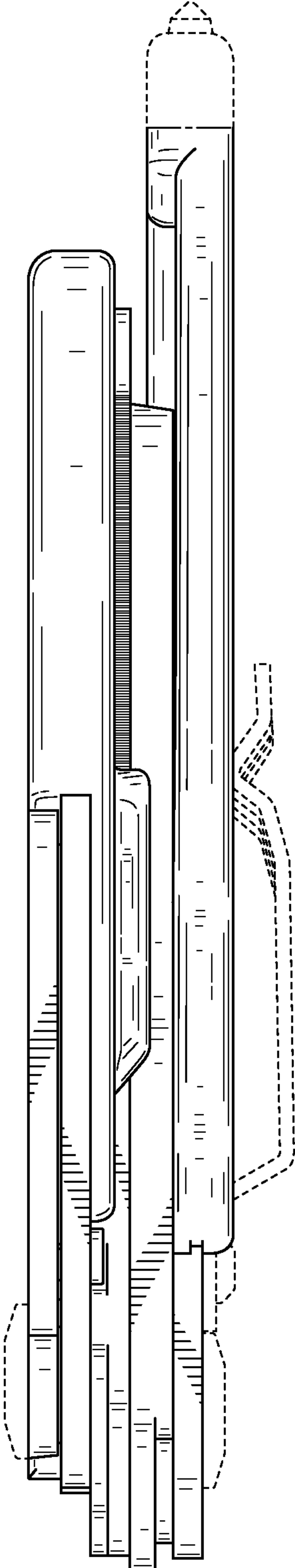


FIG. 4

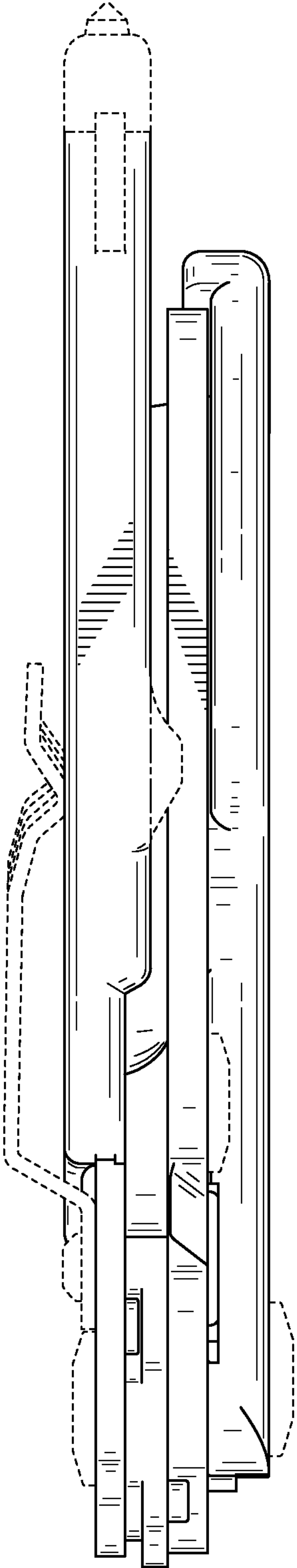


FIG. 5

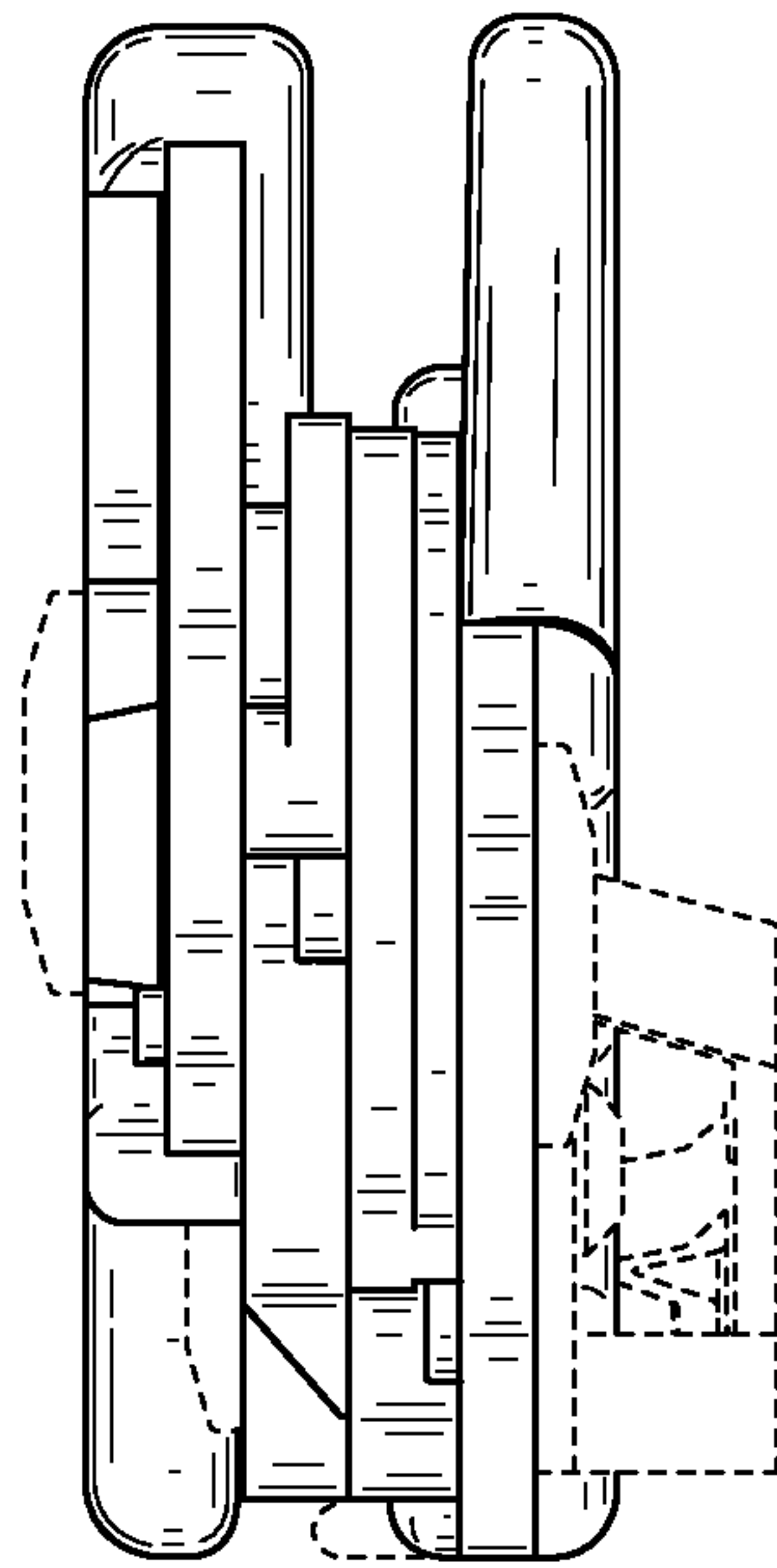


FIG. 6

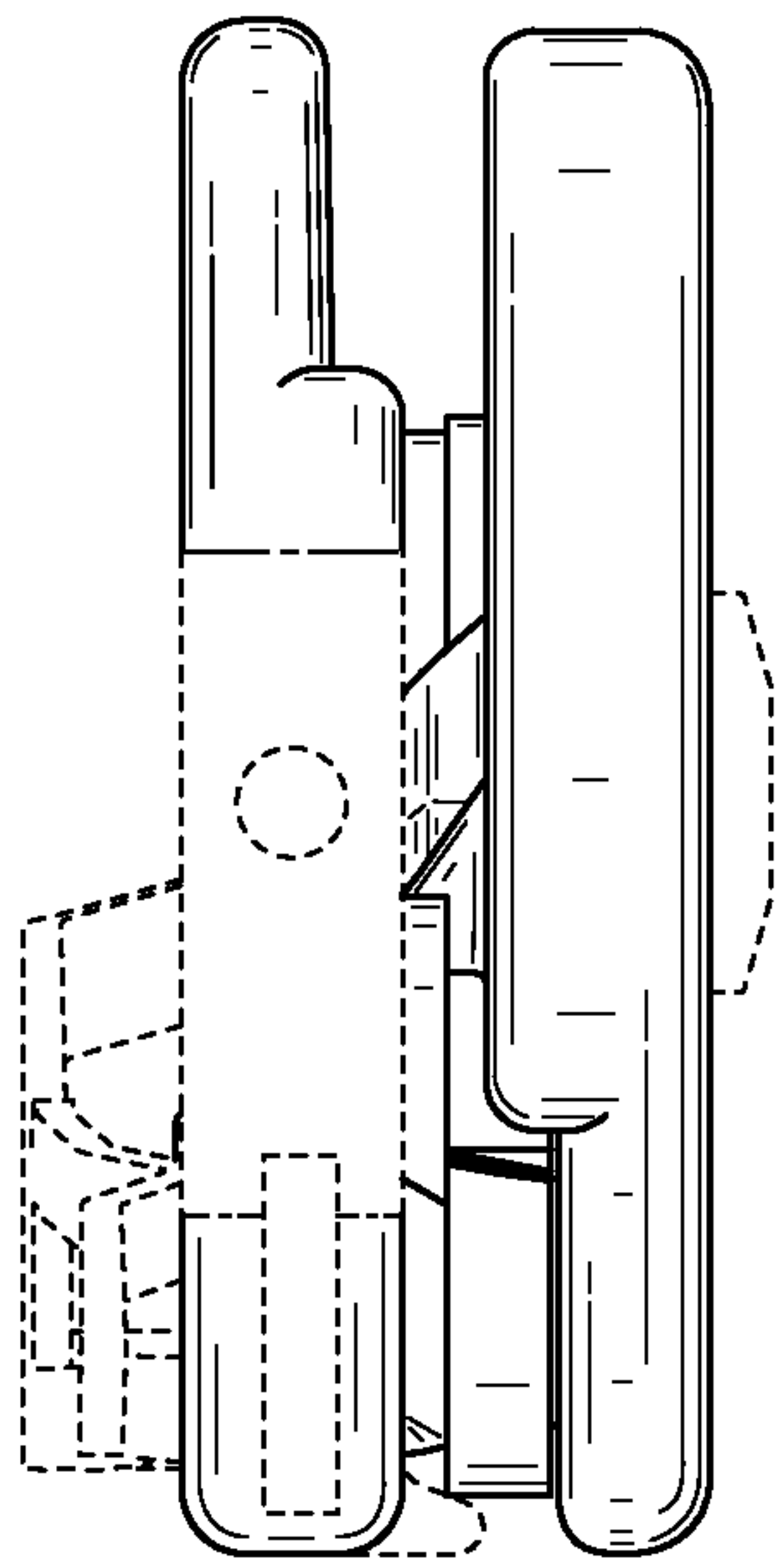


FIG. 7

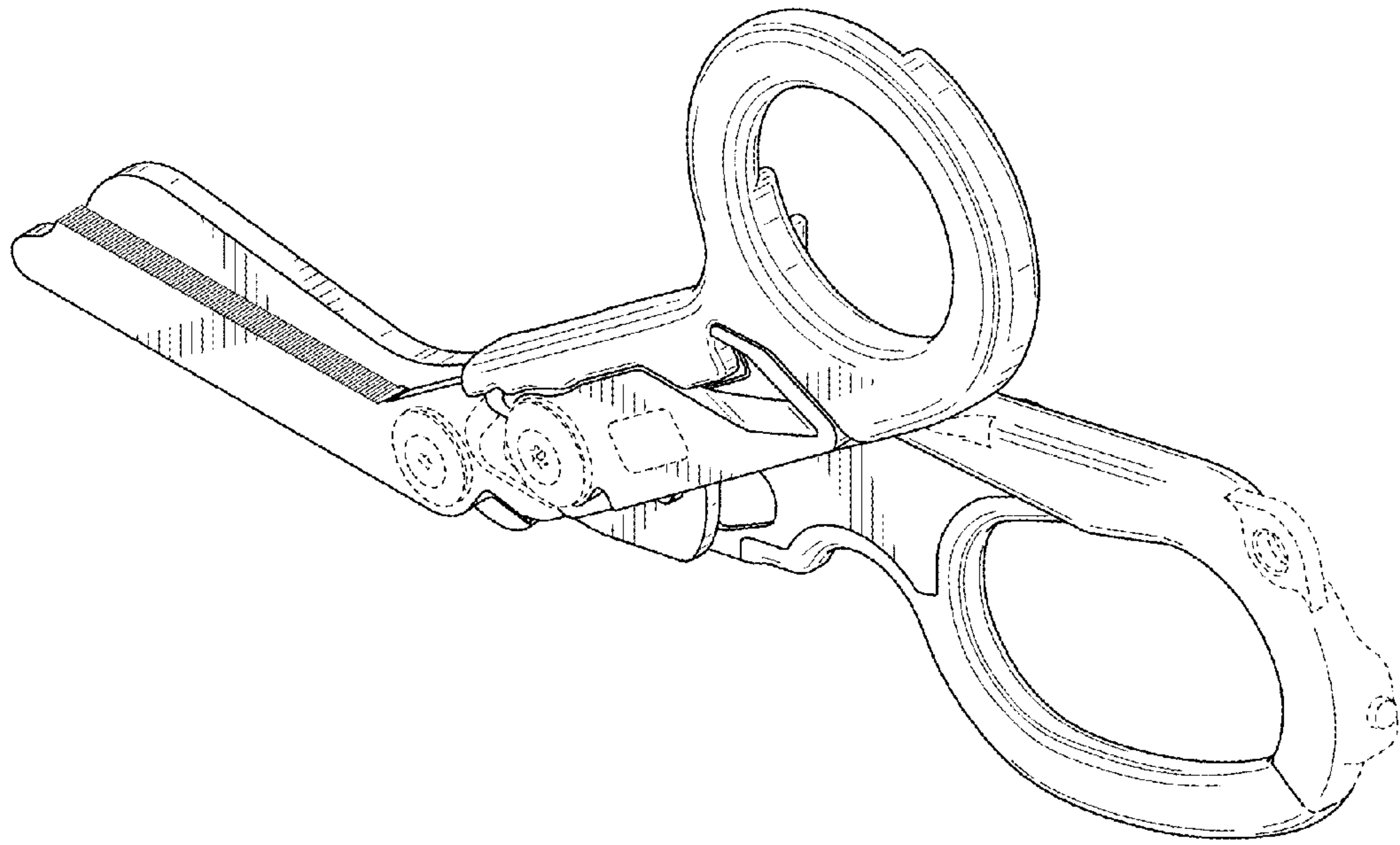


FIG. 8

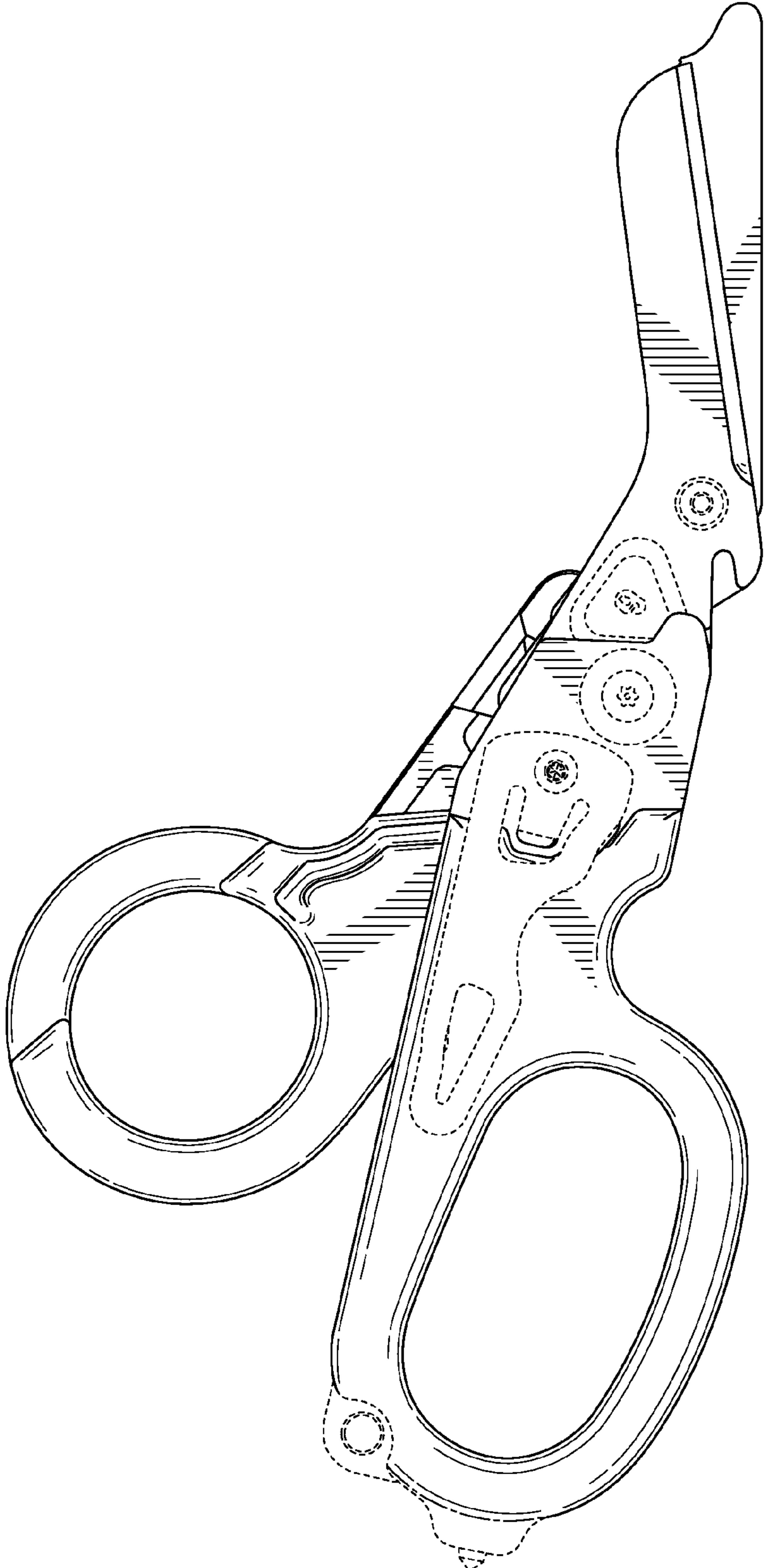


FIG. 9

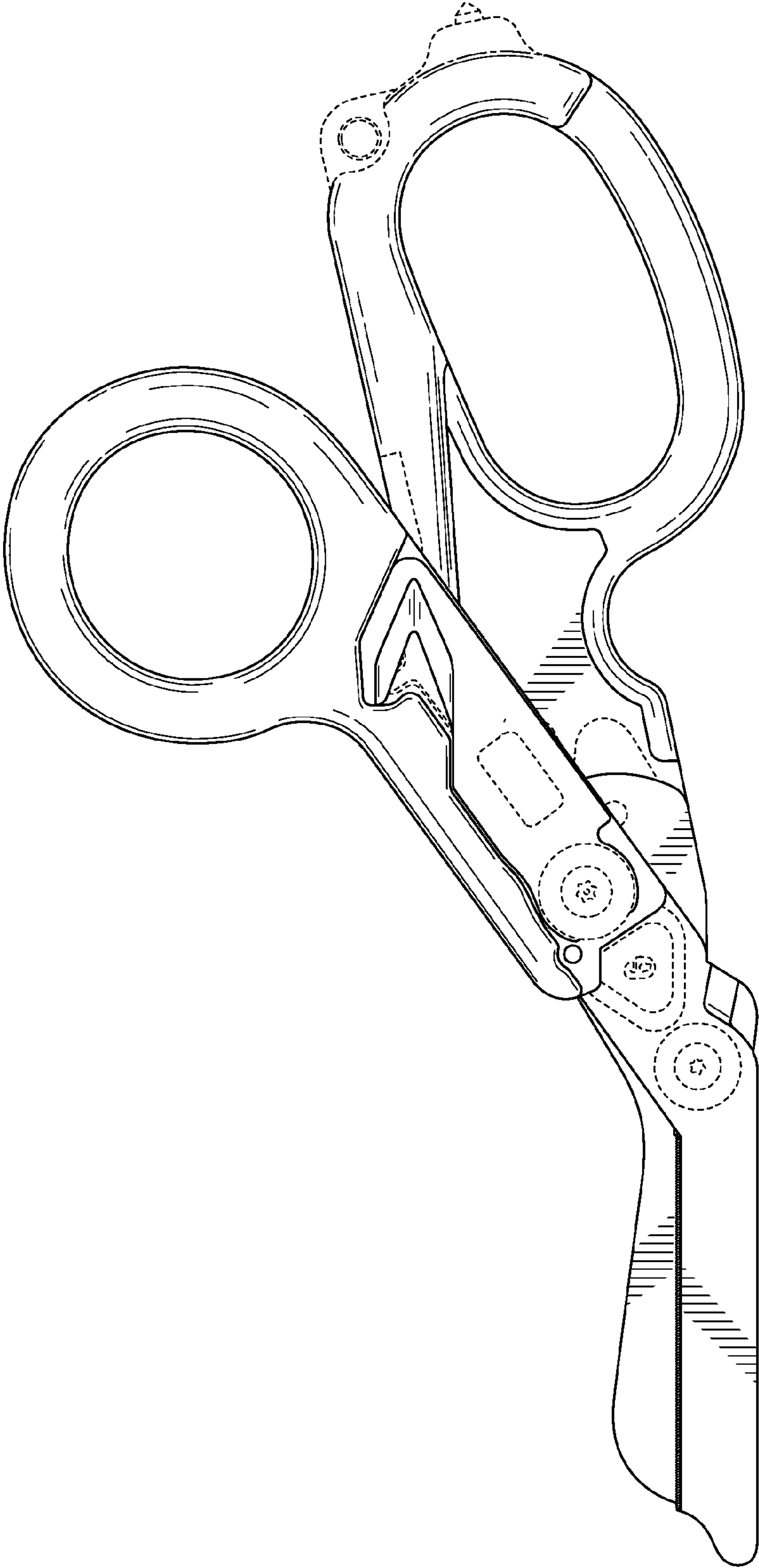


FIG. 10

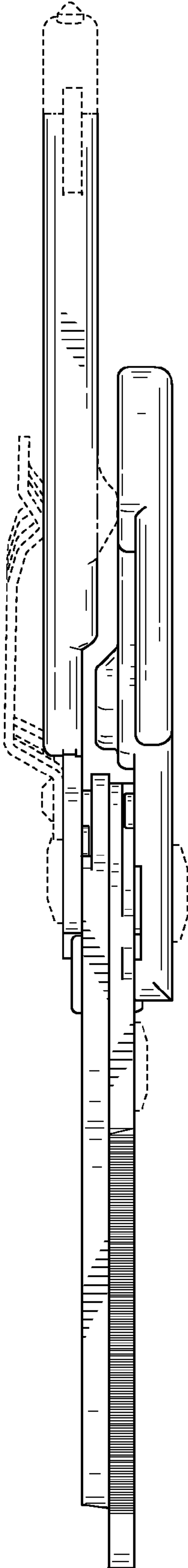


FIG. 11

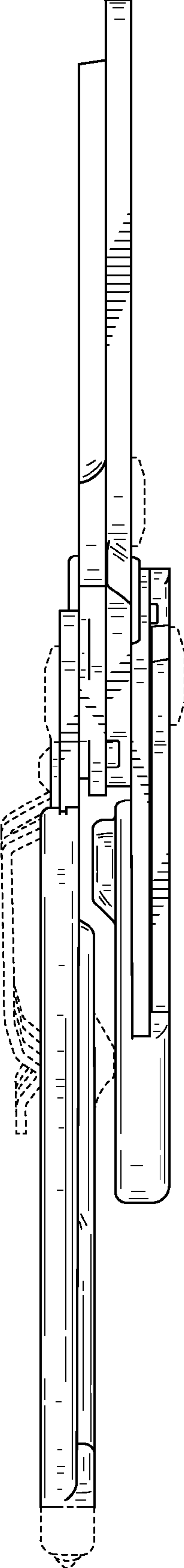


FIG. 12

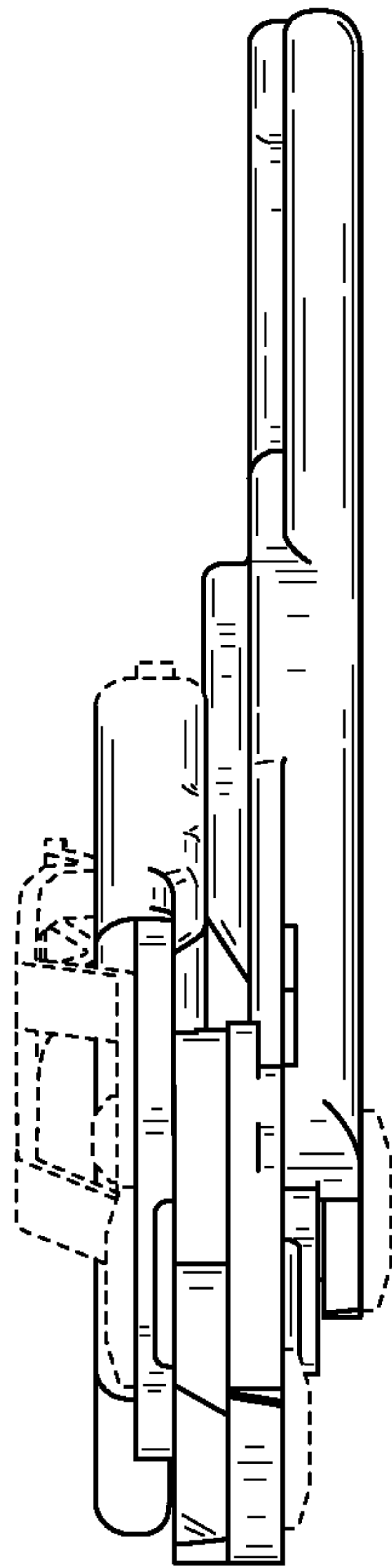


FIG. 13

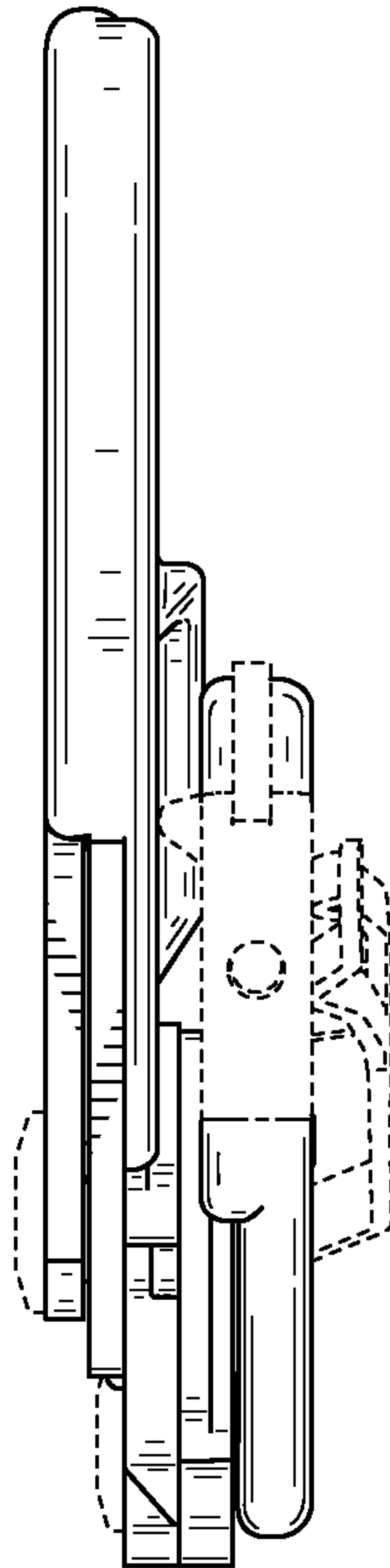
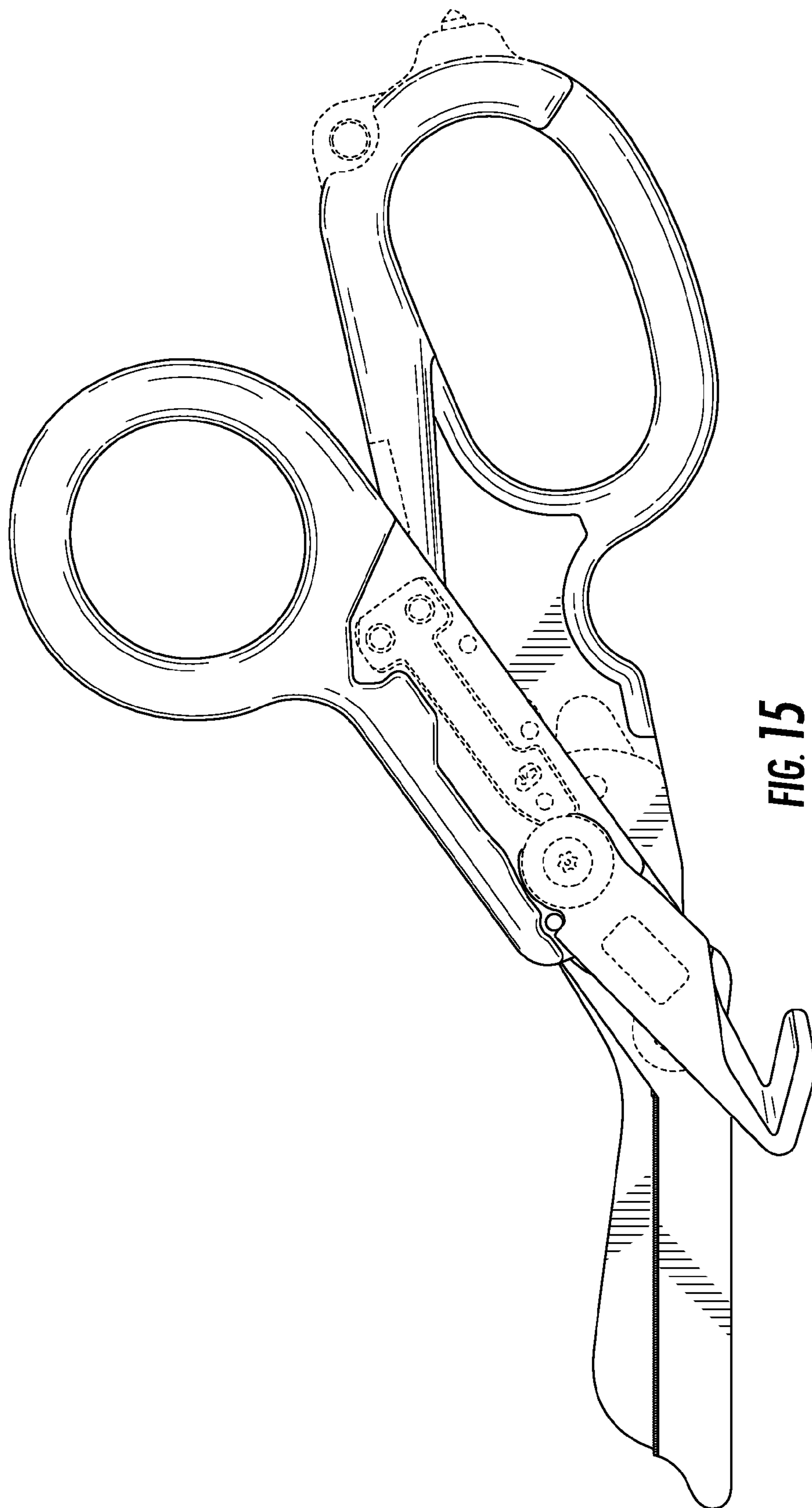


FIG. 14



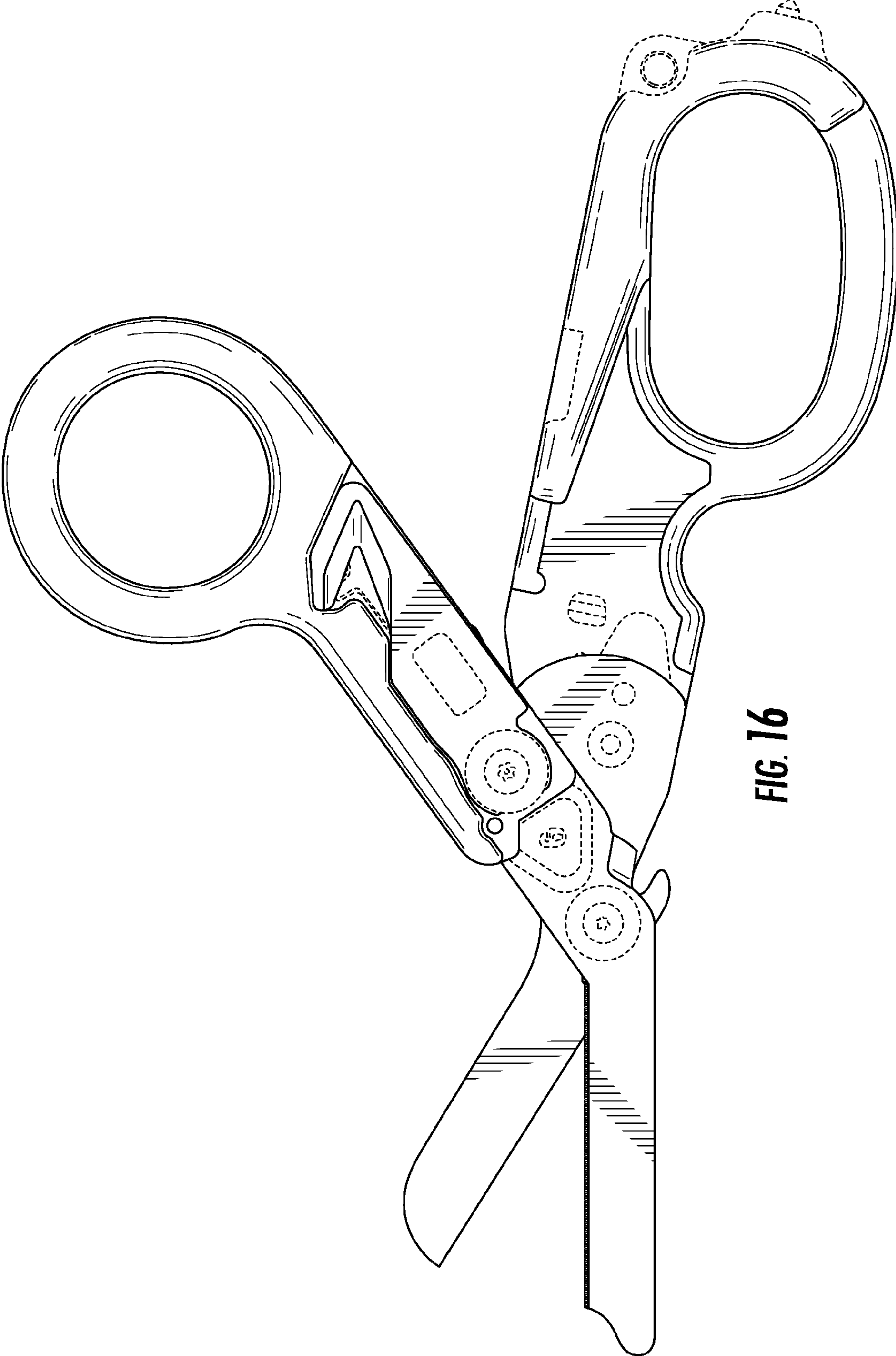


FIG. 16

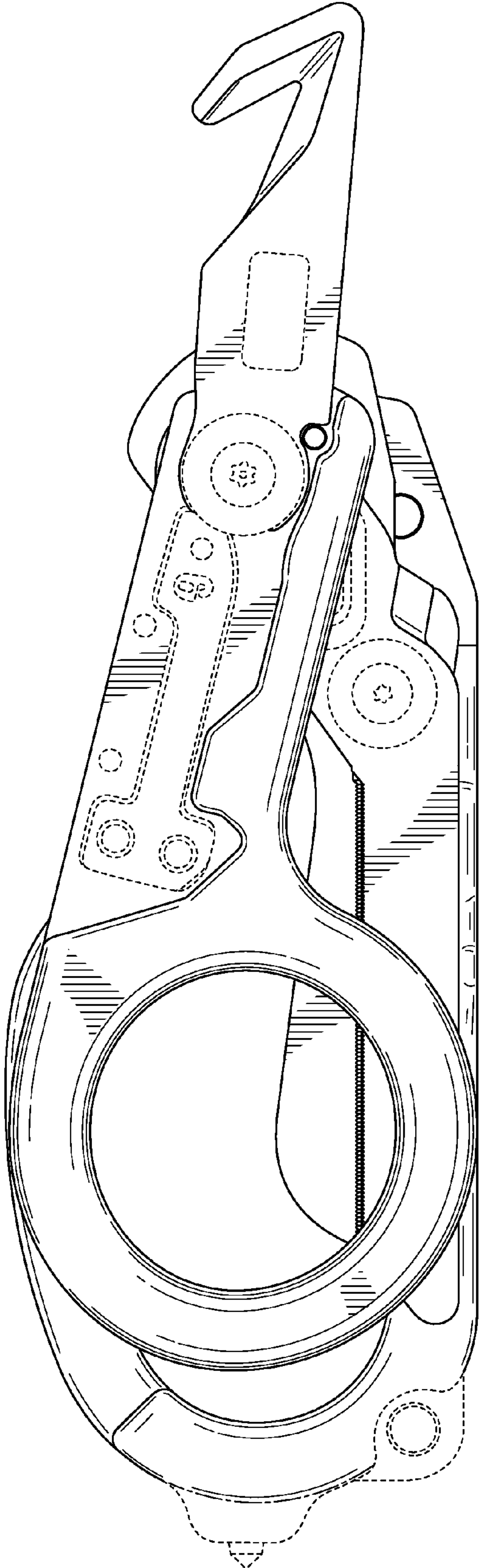


FIG. 17