



US00D758813S

(12) **United States Design Patent**  
**Christopher**

(10) **Patent No.:** **US D758,813 S**  
(45) **Date of Patent:** **\*\* Jun. 14, 2016**

- (54) **T-HANDLE**
- (71) Applicant: **Meridian International Co., Ltd.**,  
Songjiang, Shanghai (CN)
- (72) Inventor: **Brent Christopher**, Centennial, CO  
(US)
- (73) Assignee: **Meridian International Co., Ltd.** (CN)
- (\*\*) Term: **15 Years**
- (21) Appl. No.: **29/530,793**
- (22) Filed: **Jun. 19, 2015**
- (30) **Foreign Application Priority Data**  
May 20, 2015 (CN) ..... 2015 3 0151431
- (51) **LOC (10) Cl.** ..... **08-05**
- (52) **U.S. Cl.**  
USPC ..... **D8/21**
- (58) **Field of Classification Search**  
USPC ..... D8/17, 21-29; 81/60, 177.1, 177.85,  
81/121.1, 124.3, 165-170, 110.1, 176.2,  
81/124.6, 176.1, 176.15, 177.2; 16/110.1;  
D15/144.1; 219/75, 227, 229, 121.16,  
219/121.18  
CPC ..... B25B 13/00  
See application file for complete search history.

- 3,727,771 A 4/1973 Hoffman
- D227,316 S 6/1973 MacKenzie
- D229,997 S 1/1974 Hoffman
- 3,879,041 A 4/1975 Hester
- D255,771 S 7/1980 Cruz
- D259,141 S 5/1981 Oliver
- 4,305,511 A 12/1981 Denholtz
- D279,385 S 6/1985 Lieberman
- 4,682,688 A 7/1987 Budert
- 4,899,877 A 2/1990 Kiernan
- 4,924,733 A 5/1990 McKenzie
- 5,174,178 A 12/1992 Disston, Jr.
- 5,279,417 A 1/1994 Seaton
- 5,606,897 A 3/1997 Quinn
- 5,740,706 A 4/1998 Tseng
- 5,743,395 A 4/1998 Backer
- 5,816,401 A 10/1998 Vasudeva et al.
- D409,463 S \* 5/1999 McMullin ..... D8/21

(Continued)

*Primary Examiner* — Randall Gholson  
(74) *Attorney, Agent, or Firm* — Jason R. Sytsma;  
Shuttleworth & Ingersoll, PLC

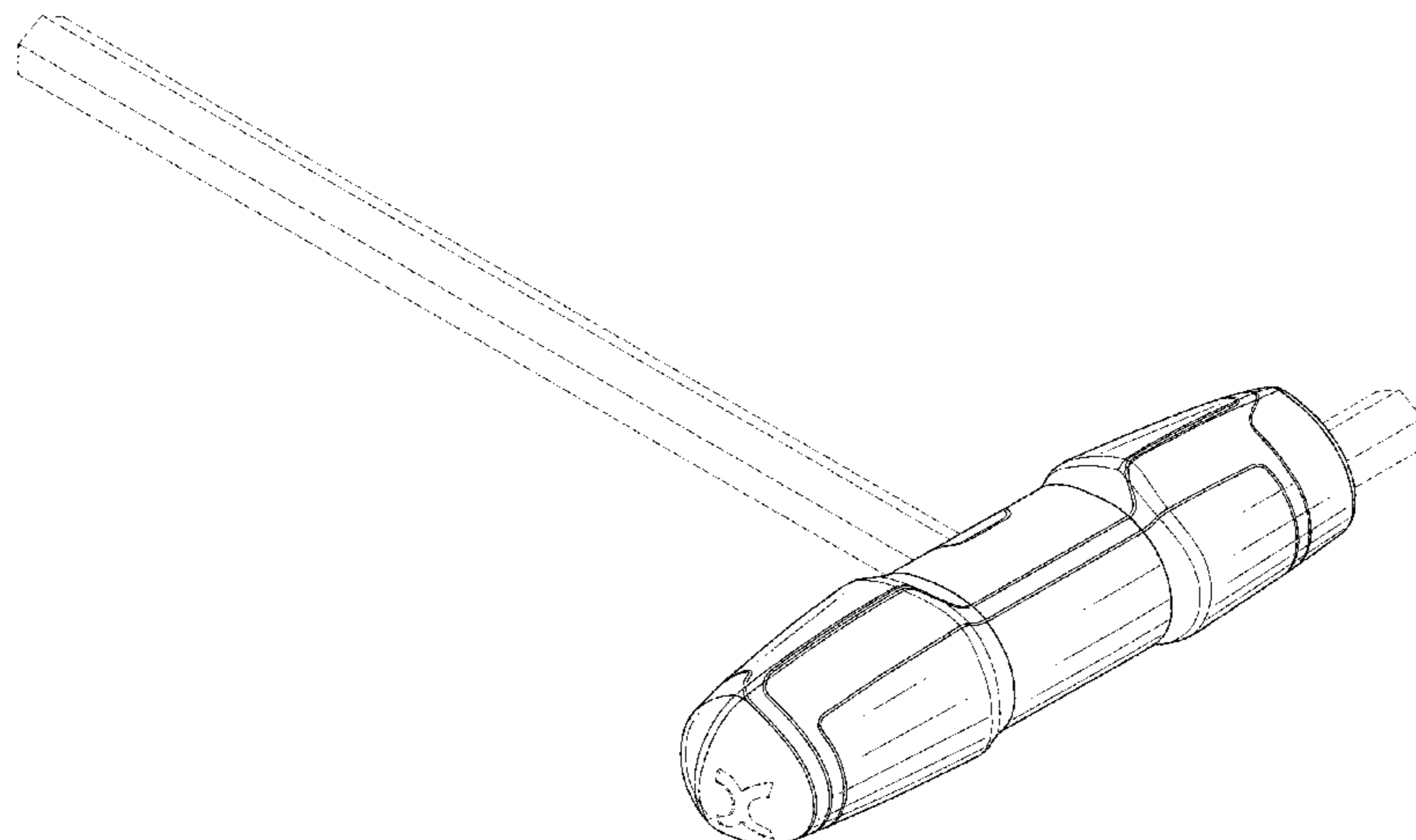
(57) **CLAIM**  
The ornamental design for a T-handle, as shown and described.

**DESCRIPTION**

FIG. 1 is a ¾ perspective view of the T-handle according to the invention.  
FIG. 2 is a front elevation view of the invention of FIG. 1.  
FIG. 3 is a rear elevation view of the invention of FIG. 1.  
FIG. 4 is a left side elevation view of the invention of FIG. 1.  
FIG. 5 is a right side elevation view of the invention of FIG. 1.  
FIG. 6 is a top plan view of the invention of FIG. 1; and,  
FIG. 7 is a bottom plan view of the invention of FIG. 1.  
The broken lines are included for the purpose of illustrating the environment in which the claimed invention is being used, which form no part of the claimed design.

**1 Claim, 7 Drawing Sheets**

- (56) **References Cited**  
U.S. PATENT DOCUMENTS
- 1,177,072 A 3/1916 Warman
- 1,997,128 A 4/1935 Voss
- 2,351,815 A 6/1944 Jensen
- 3,063,551 A 11/1962 Russell
- D212,315 S 9/1968 Taylor
- 3,489,289 A 1/1970 Scott-Fenton



(56)

References Cited

U.S. PATENT DOCUMENTS

5,899,329 A 5/1999 Hu et al.  
 5,918,741 A 7/1999 Vasudeva  
 6,079,298 A 6/2000 Gasperi et al.  
 6,237,451 B1 5/2001 Wei  
 6,457,916 B2 10/2002 Wienhold  
 6,464,840 B1 10/2002 McCann  
 6,561,523 B1 5/2003 Wienhold  
 6,685,018 B1 2/2004 Chuan  
 D517,634 S \* 3/2006 Nunez ..... D21/789  
 7,186,190 B1 \* 3/2007 Beach ..... A63B 53/0466  
 473/335  
 D555,445 S \* 11/2007 Strahorn ..... D8/21  
 D613,139 S \* 4/2010 Lai ..... D8/21  
 D644,901 S 9/2011 Christopher  
 D645,733 S 9/2011 Holtan  
 D646,948 S \* 10/2011 Robinson ..... D8/83  
 8,079,469 B2 12/2011 Gui  
 8,157,092 B2 4/2012 Christopher  
 D664,408 S \* 7/2012 Mitchell ..... D8/21

D667,710 S \* 9/2012 Fossum ..... D8/21  
 D668,921 S \* 10/2012 Fossum ..... D8/21  
 D672,957 S 12/2012 Christopher  
 D673,831 S \* 1/2013 Molina ..... D8/83  
 8,517,173 B2 8/2013 Gui  
 D708,502 S \* 7/2014 Lin ..... D8/107  
 2002/0020537 A1 2/2002 Shonfeld et al.  
 2002/0027092 A1 3/2002 Hu  
 2004/0094444 A1 5/2004 Chen  
 2004/0251153 A1 12/2004 Chen  
 2005/0189250 A1 9/2005 Hsu  
 2005/0247587 A1 11/2005 Holland-Letz  
 2006/0260964 A1 11/2006 Feldmann et al.  
 2007/0023307 A1 2/2007 Liu  
 2007/0095690 A1 5/2007 Nguy et al.  
 2007/0163906 A1 7/2007 Crain et al.  
 2007/0228240 A1 10/2007 Kao  
 2008/0110302 A1 5/2008 Liu  
 2009/0236250 A1 9/2009 Wang  
 2009/0242443 A1 10/2009 Chen  
 2010/0108552 A1 5/2010 Scrimshaw et al.

\* cited by examiner

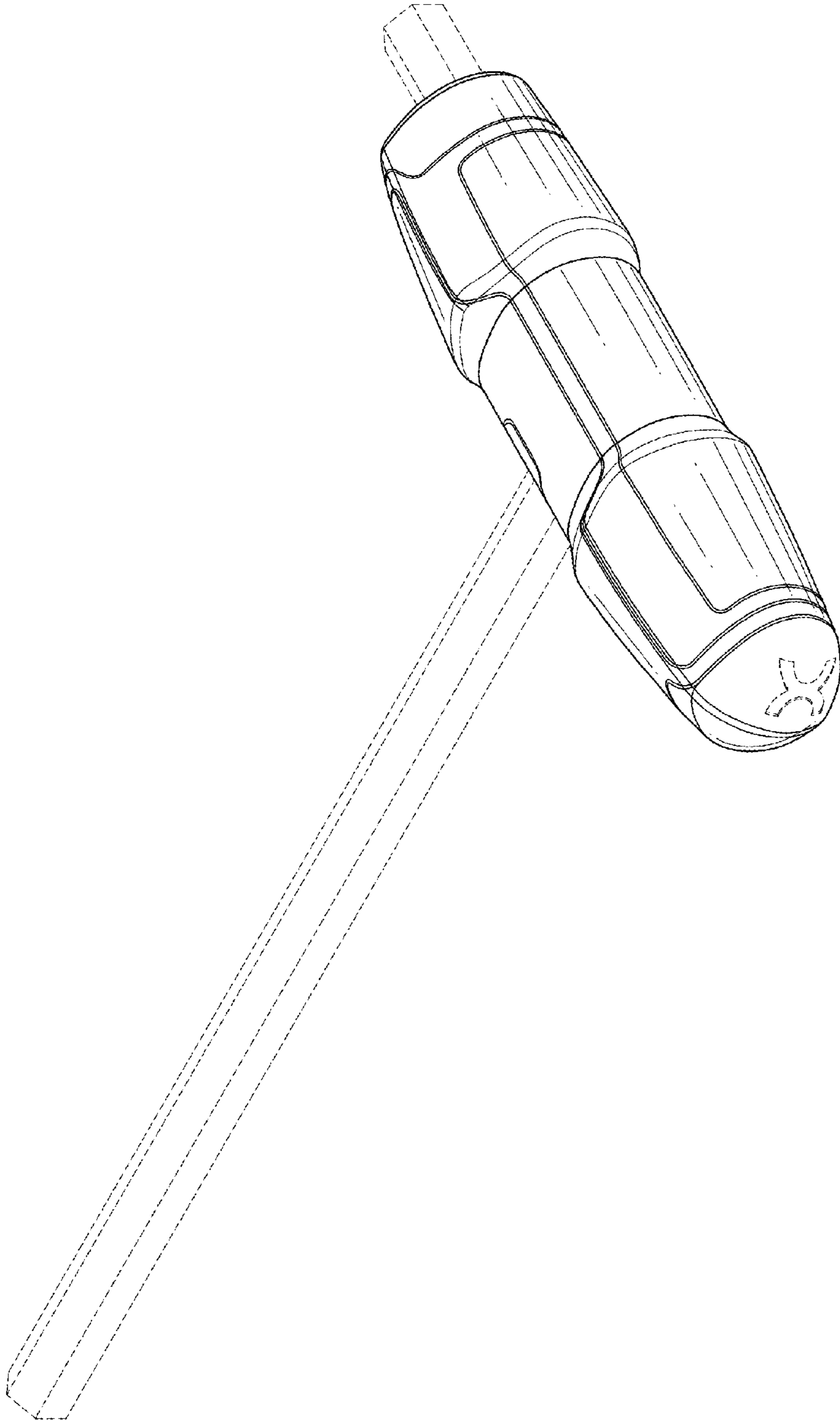


FIG. 1

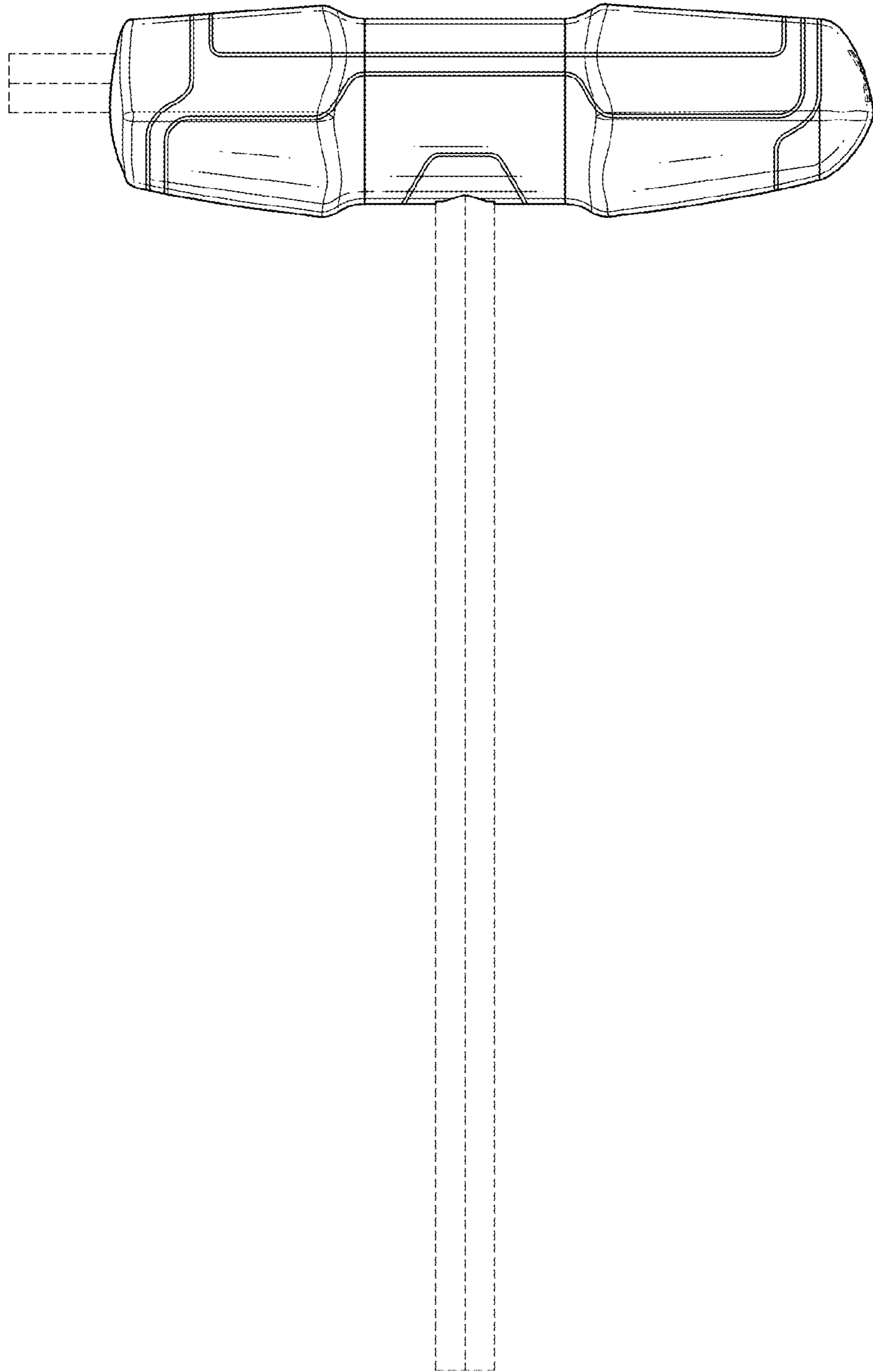


FIG. 2

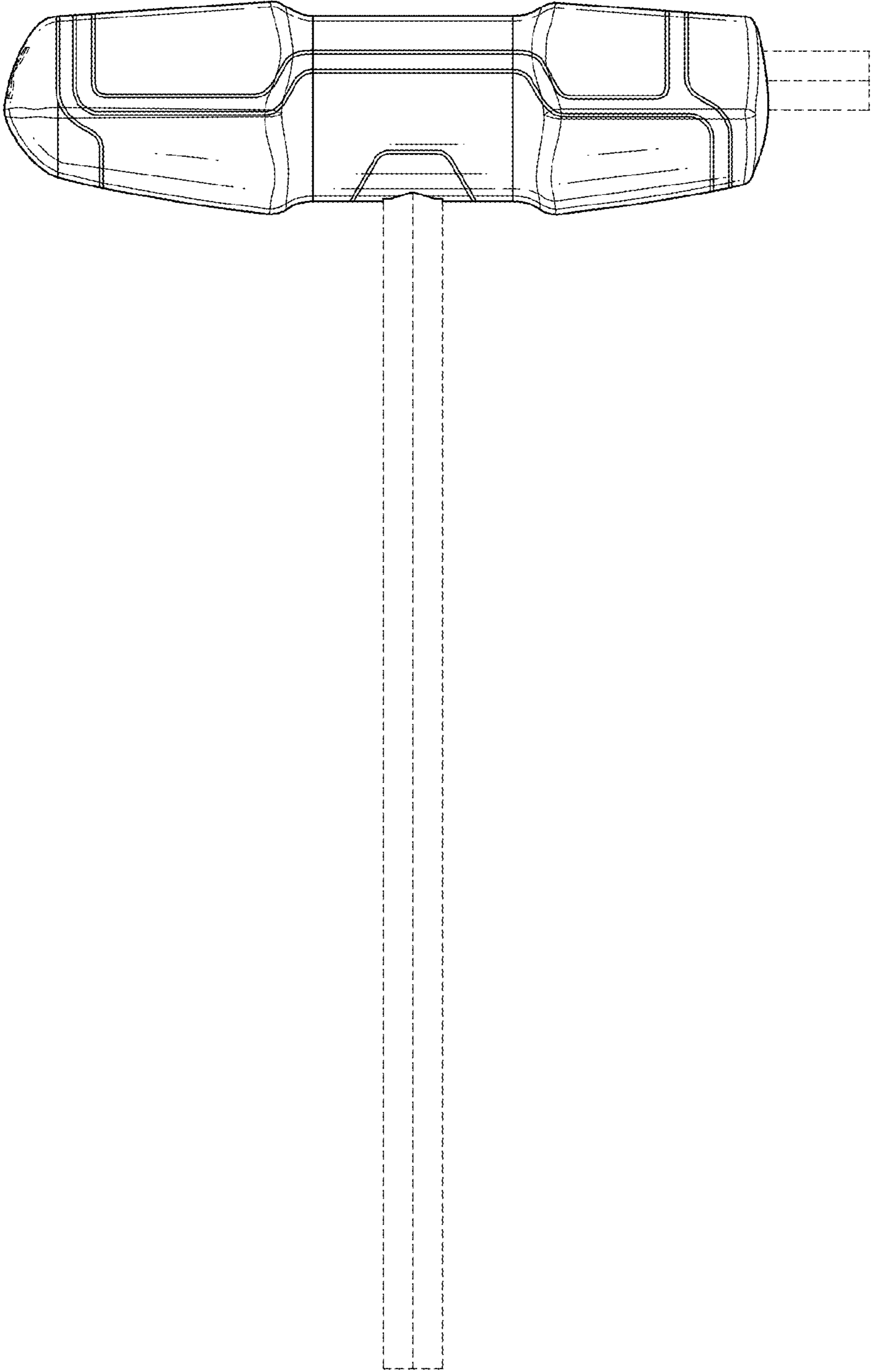


FIG. 3

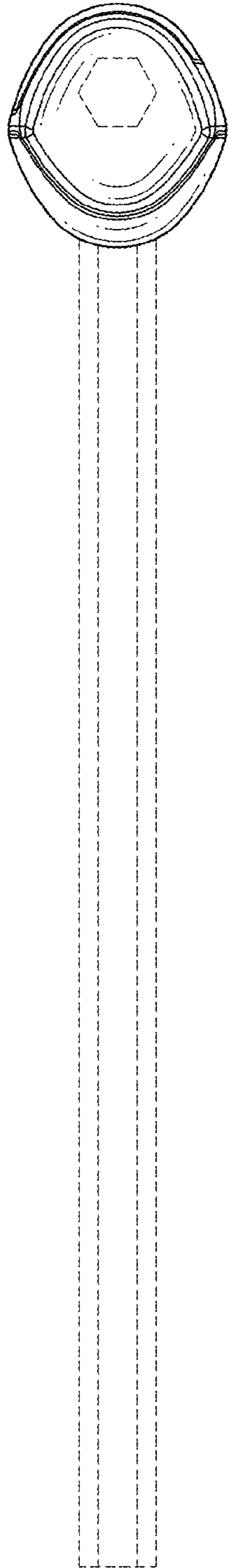


FIG. 4

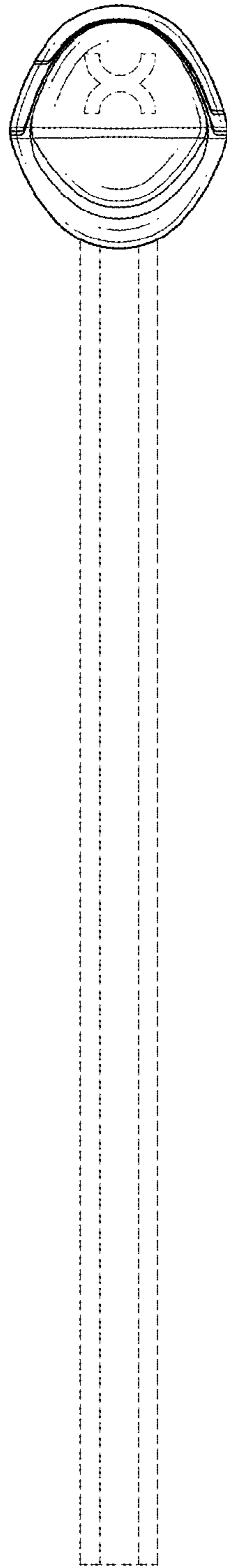


FIG. 5

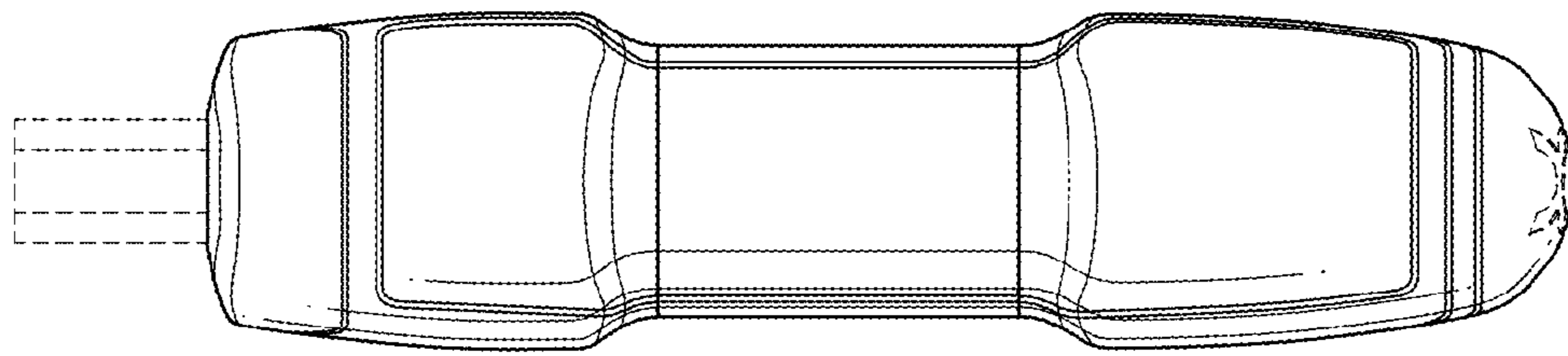


FIG. 6



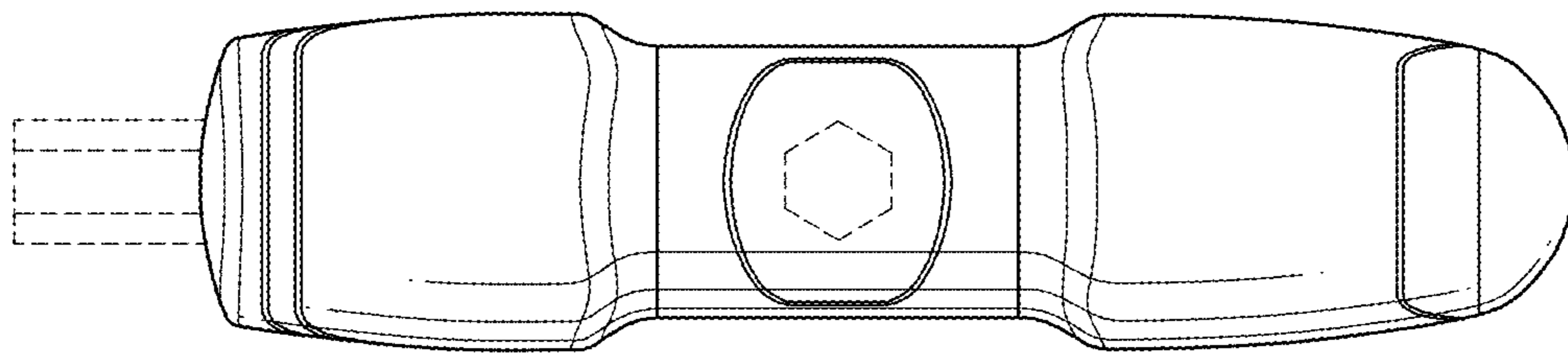


FIG. 7