



US00D758811S

(12) **United States Design Patent**
Cash

(10) **Patent No.:** **US D758,811 S**

(45) **Date of Patent:** **** Jun. 14, 2016**

(54) **WINE STORAGE APPARATUS**

(71) Applicant: **James Cash**, East Lansing, MI (US)

(72) Inventor: **James Cash**, East Lansing, MI (US)

(73) Assignee: **James Cash**, East Lansing, MI (US)

(**) Term: **14 Years**

(21) Appl. No.: **29/499,023**

(22) Filed: **Aug. 11, 2014**

(51) **LOC (10) Cl.** **07-06**

(52) **U.S. Cl.**
USPC **D7/707**

(58) **Field of Classification Search**
USPC D7/707, 708, 601, 704; 211/74, 134;
D23/261; 266/279
CPC A47B 73/008; A47B 45/00; A47B 96/02;
A47B 73/00; A47F 7/28; F23H 13/00
See application file for complete search history.

(56) **References Cited**

U.S. PATENT DOCUMENTS

6,454,108	B1	9/2002	Gerard	
6,981,597	B2	1/2006	Cash	
7,287,653	B2 *	10/2007	Rhodes	211/74
D591,569	S	5/2009	Cash	
D614,926	S *	5/2010	Cox	D7/708
D627,611	S	11/2010	Cash	
8,132,871	B1	3/2012	Caruso	
8,276,769	B2 *	10/2012	Hogeback	211/74
D735,540	S *	8/2015	Carpenter	D7/704
D739,189	S *	9/2015	Carpenter	D7/701
D739,190	S *	9/2015	Kasza et al.	D7/701
2015/0034577	A1 *	2/2015	Cash	211/75

* cited by examiner

Primary Examiner — Thomas Johannes

Assistant Examiner — Bryan Reinholdt, Jr.

(74) *Attorney, Agent, or Firm* — Fitch, Even, Tabin & Flannery, LLP

(57) **CLAIM**

The ornamental design for a wine storage apparatus, as shown and described.

DESCRIPTION

FIG. 1 is a perspective view of a first embodiment of a wine storage apparatus showing my new design;

FIG. 2 is a top plan view thereof, the bottom plan view being identical thereto;

FIG. 3 is a right side elevation view thereof, the left side elevation view being identical thereto;

FIG. 4 is a front elevation view thereof, the rear elevation view being identical thereto;

FIG. 5 is a perspective view of a second embodiment of a wine storage apparatus showing my new design;

FIG. 6 is a top plan view thereof, the bottom plan view being identical thereto;

FIG. 7 is a right side elevation view thereof, the left side elevation view being identical thereto;

FIG. 8 is a front elevation view thereof, the rear elevation view being identical thereto;

FIG. 9 is a perspective view of a third embodiment of a wine storage apparatus showing my new design;

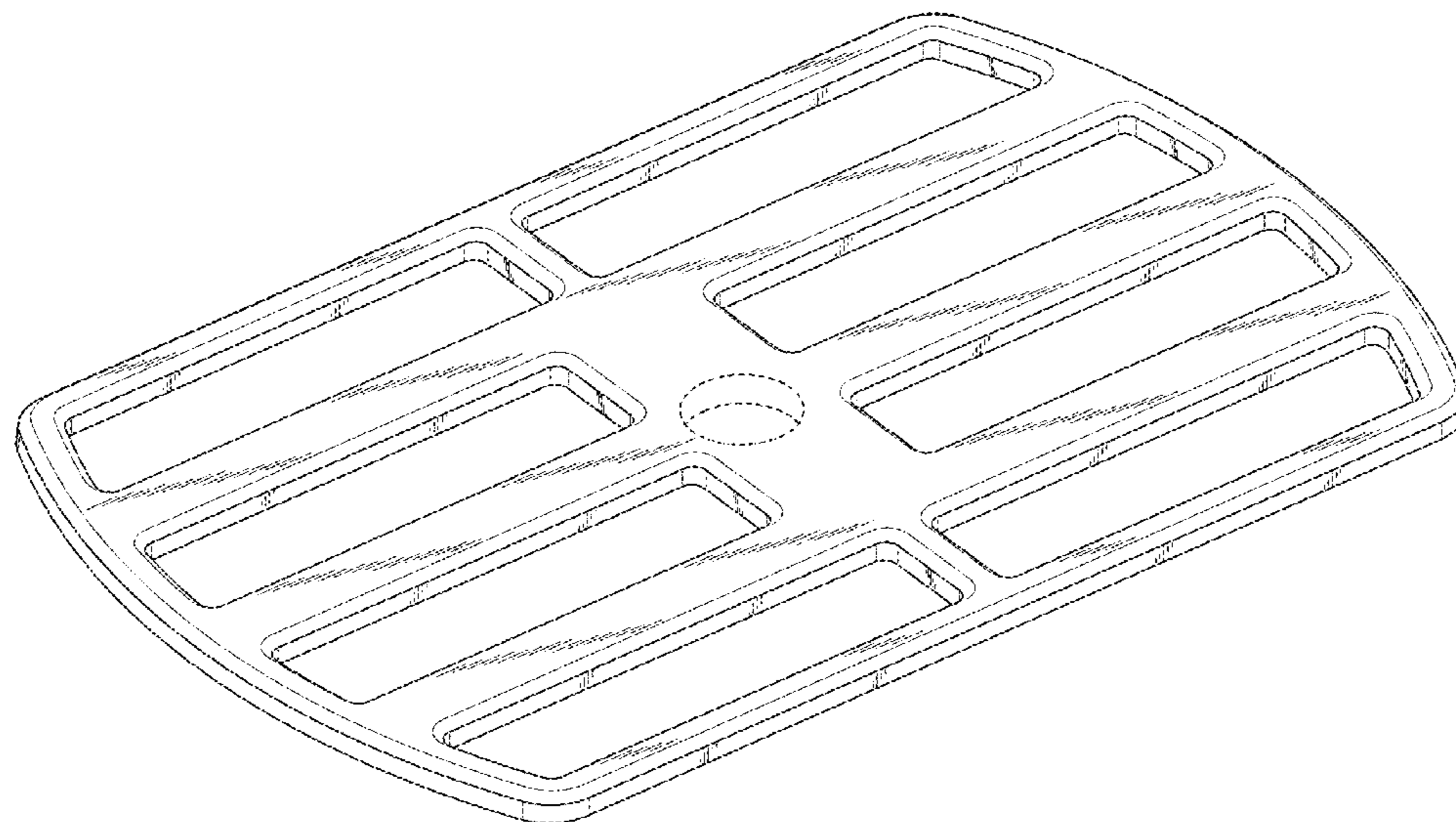
FIG. 10 is a top plan view thereof, the bottom plan view being identical thereto;

FIG. 11 is a right side elevation view thereof, the left side elevation view being identical thereto; and,

FIG. 12 is a front elevation view thereof, the rear elevation view being identical thereto.

The broken lines depict unclaimed environmental subject matter and form no part of the claimed design.

1 Claim, 9 Drawing Sheets



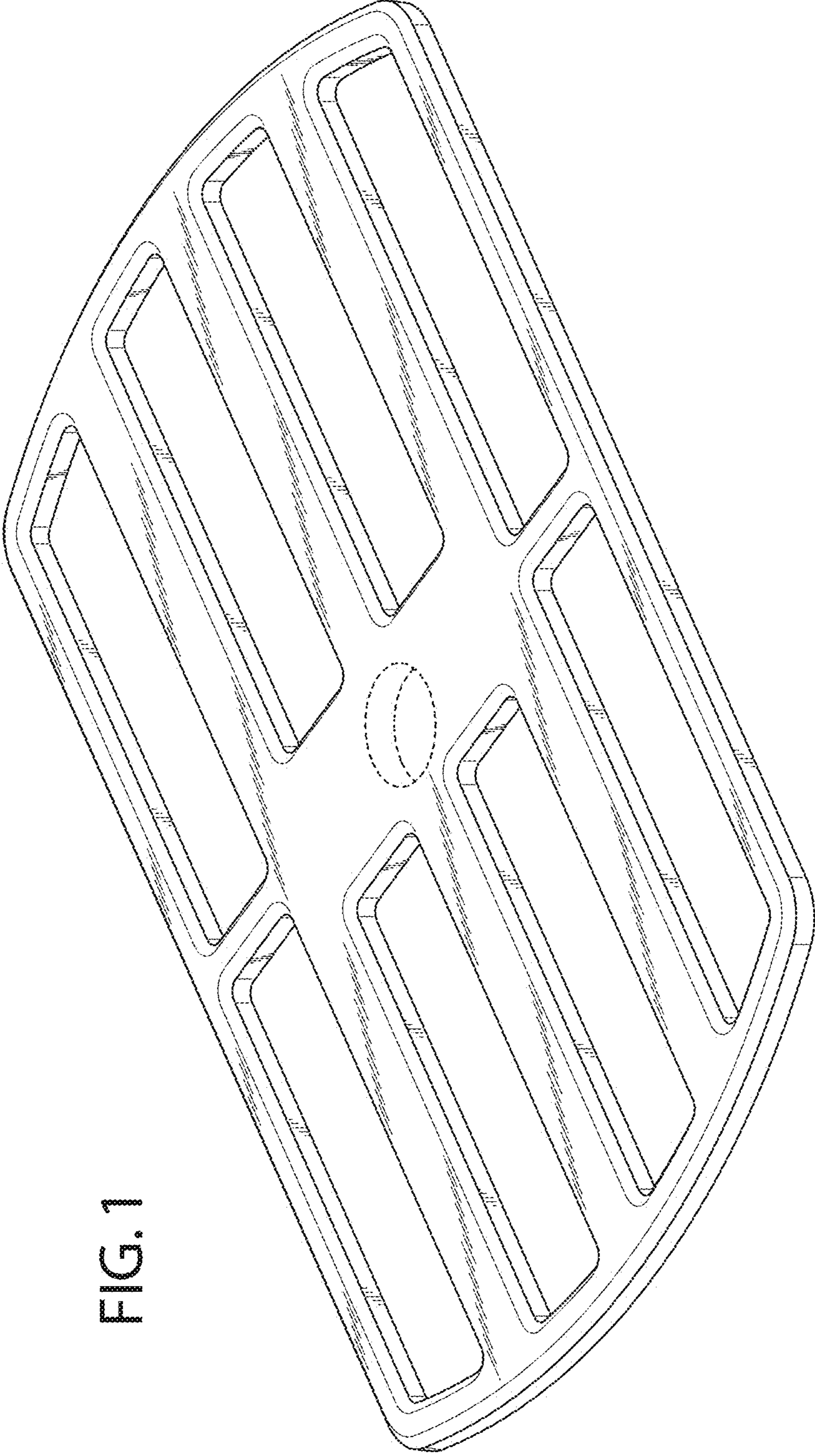


FIG. 1

FIG. 2

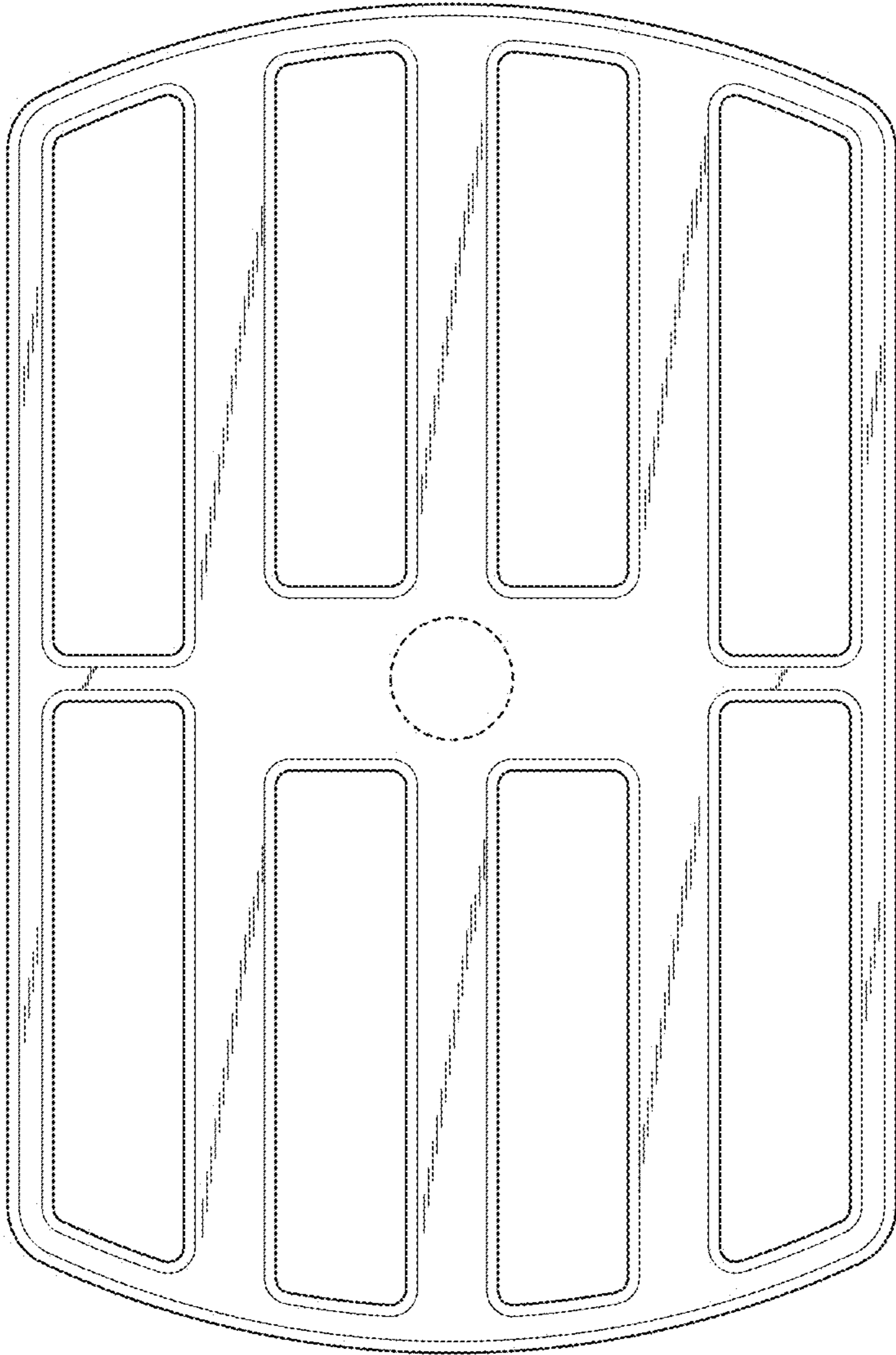


FIG. 3

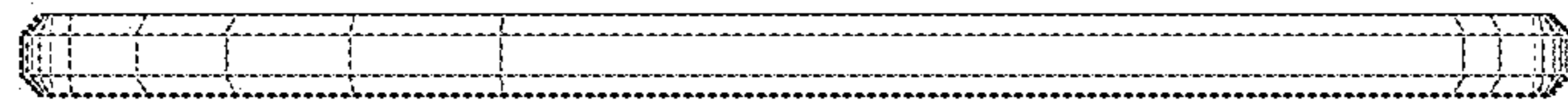
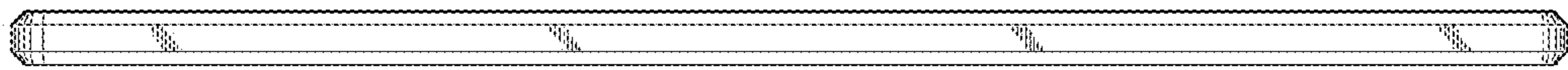


FIG. 4



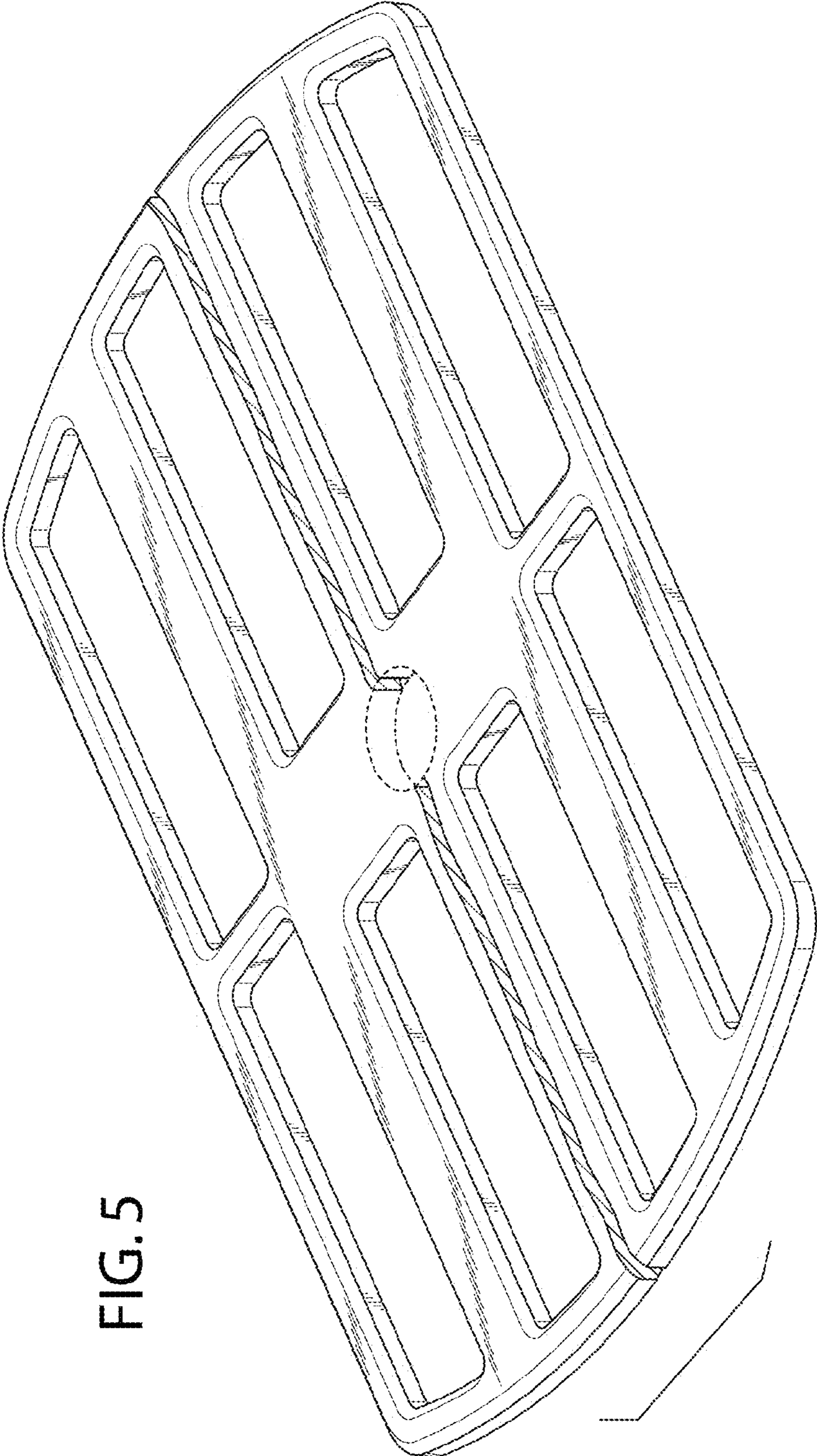


FIG. 5

FIG. 6

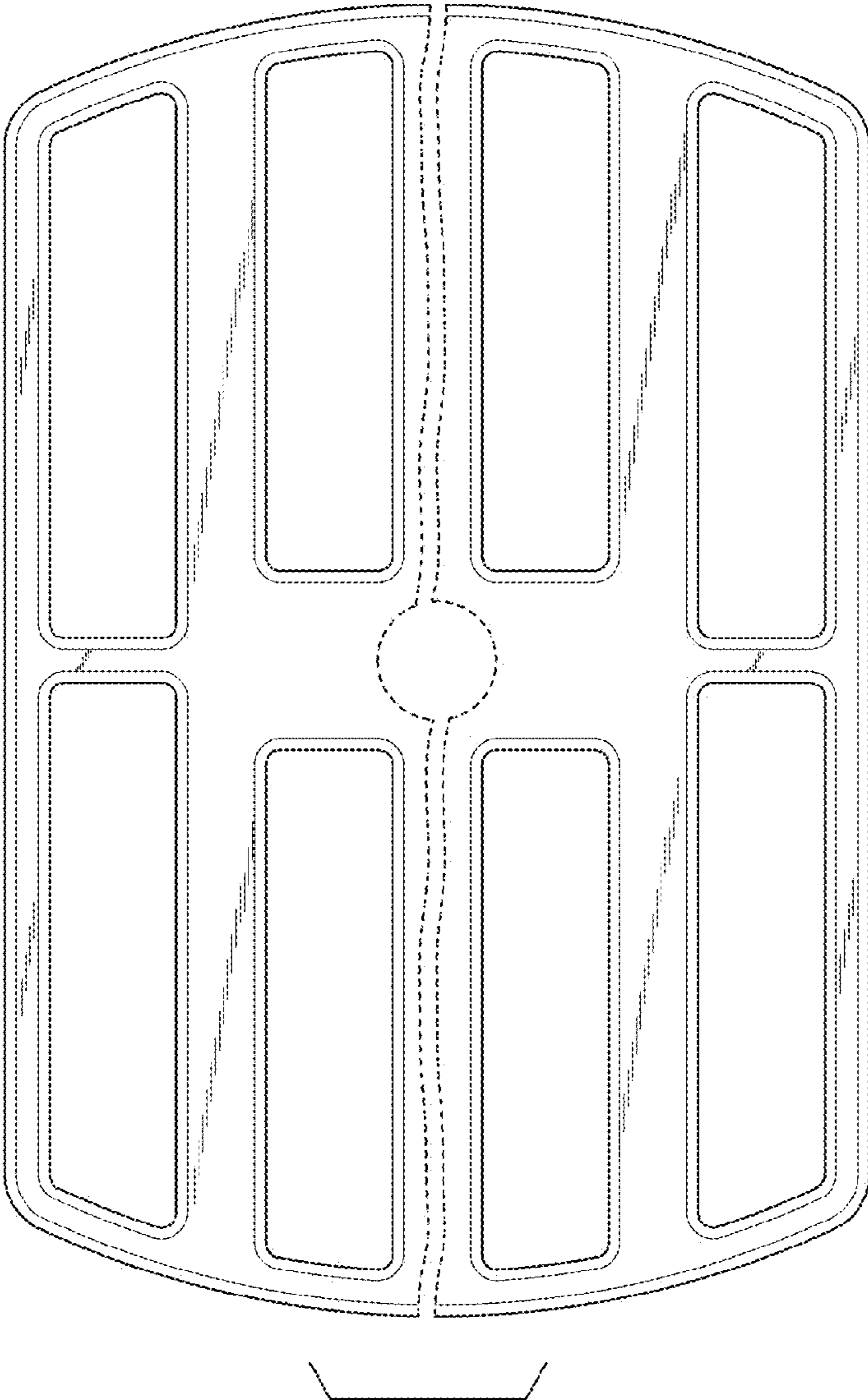


FIG. 7

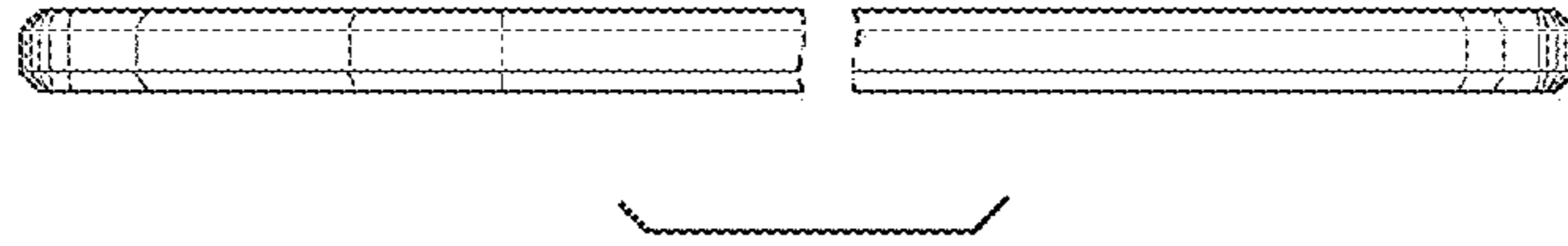
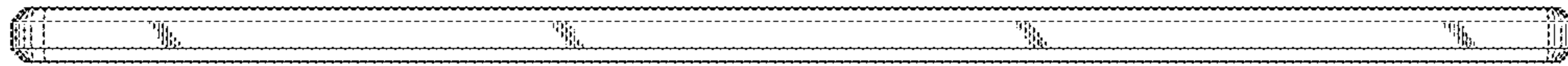


FIG. 8



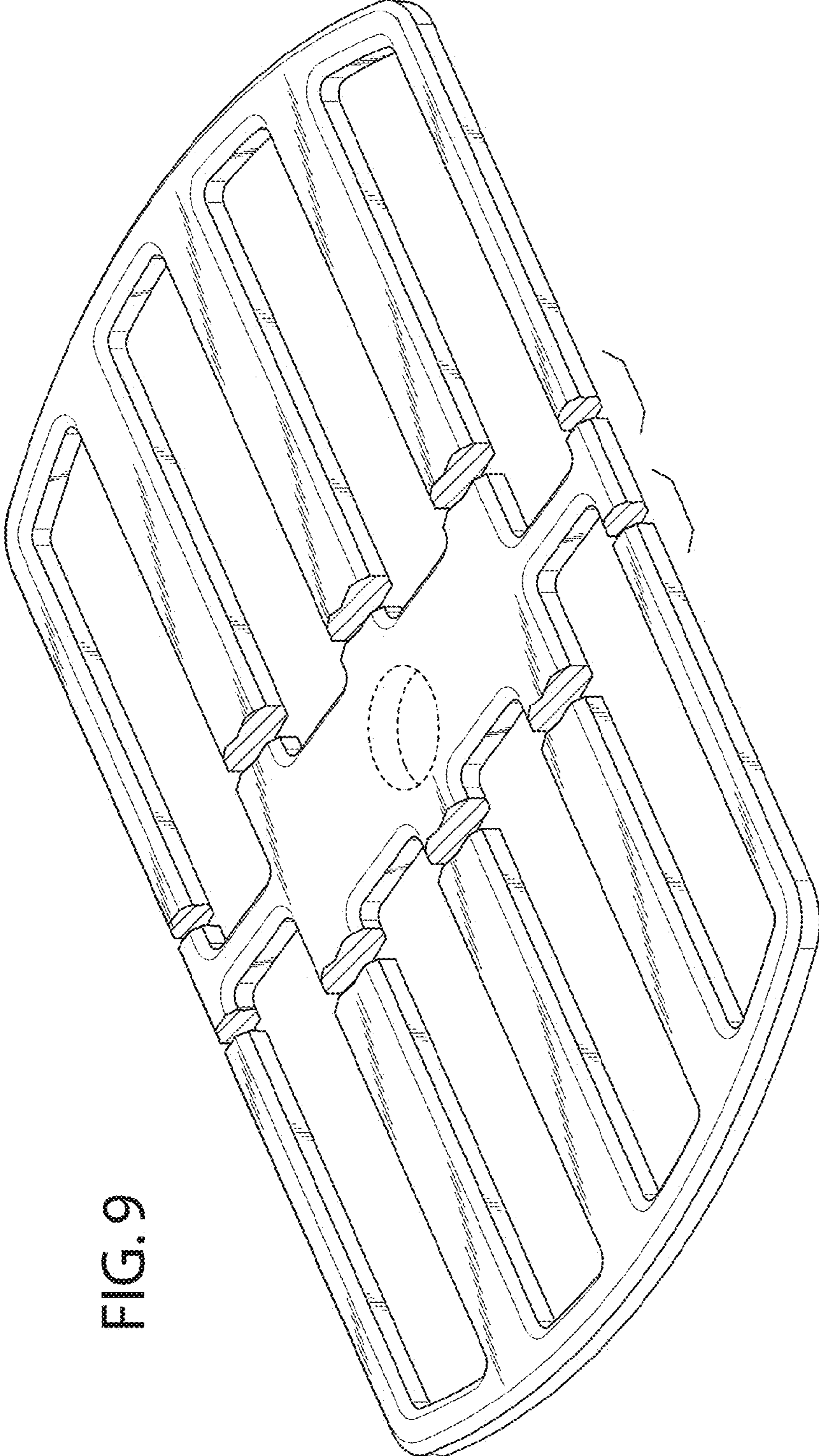


FIG. 9

FIG. 10

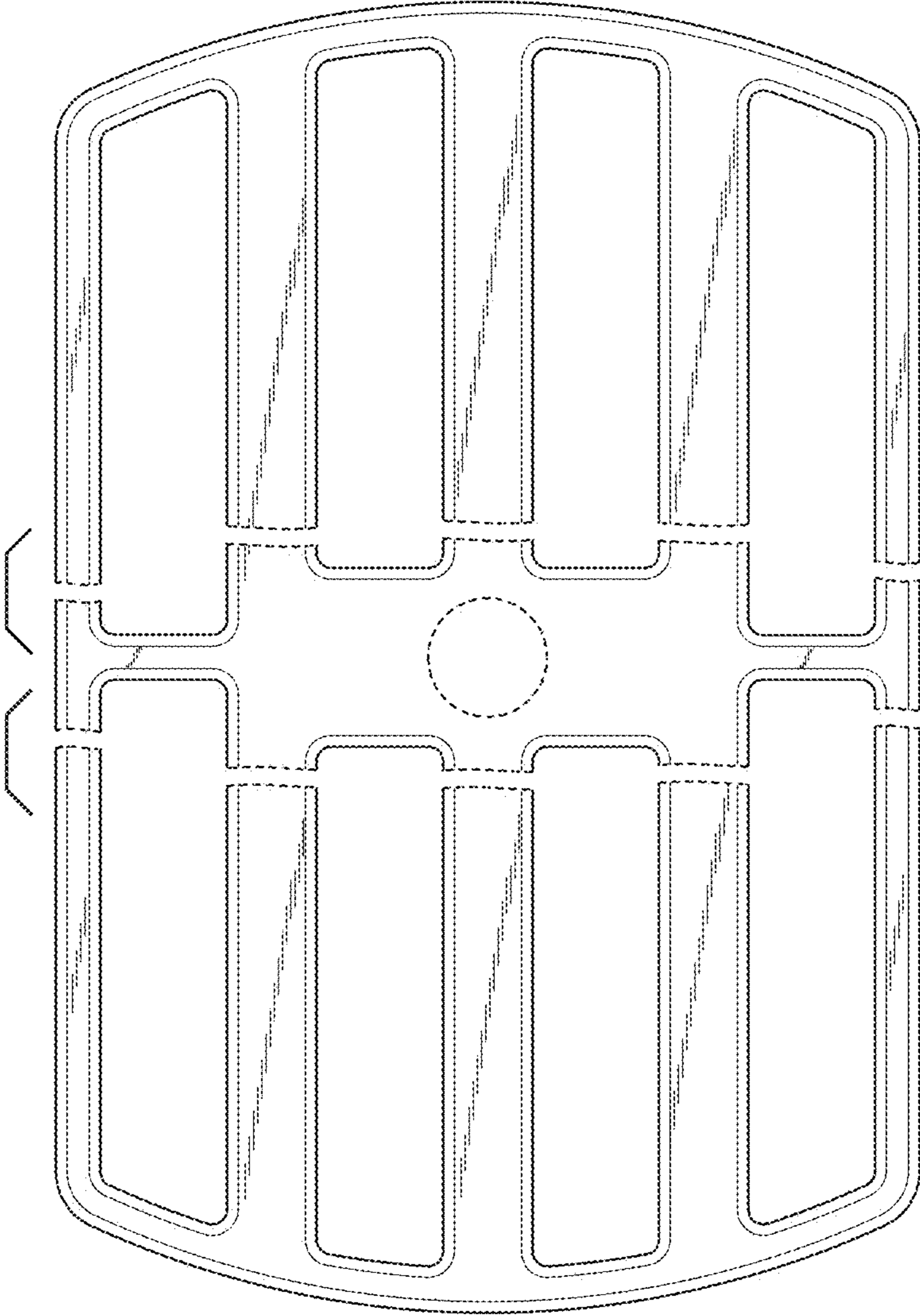


FIG. 11

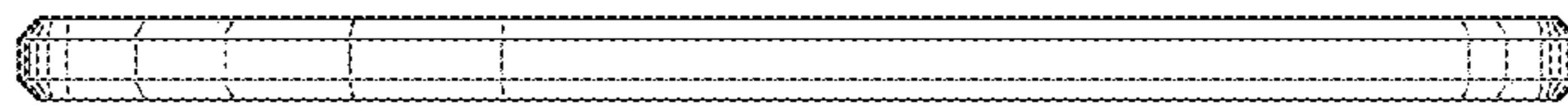


FIG. 12

