



US00D758810S

(12) **United States Design Patent**
Peterson et al.

(10) **Patent No.:** **US D758,810 S**
(45) **Date of Patent:** **** Jun. 14, 2016**

(54) **CUTTING TOOL**

(71) Applicant: **Plasticolor Molded Products, Inc.,**
Fullerton, CA (US)

(72) Inventors: **Eric Peterson, Fullerton, CA (US);**
Shawn Diamond, Fullerton, CA (US)

(73) Assignee: **Plasticolor Molded Products, Inc.,**
Fullerton, CA (US)

(**) Term: **14 Years**

(21) Appl. No.: **29/499,416**

(22) Filed: **Aug. 14, 2014**

(51) **LOC (10) Cl.** **07-06**

(52) **U.S. Cl.**
USPC **D7/693**

(58) **Field of Classification Search**
USPC D7/376, 378, 412, 649, 653, 667, 669,
D7/693; D15/139; 30/113.3, 114, 279.3,
30/287; 83/13; 99/537; 241/169.1
CPC B23D 57/00
See application file for complete search history.

(56) **References Cited**

U.S. PATENT DOCUMENTS

1,744,422 A * 1/1930 Taylor A47J 25/00
30/302
D298,633 S * 11/1988 Kenemore D15/139
4,884,638 A 12/1989 Hoffman
5,056,223 A 10/1991 Buck et al.

D335,609 S * 5/1993 Cesaroni D7/693
5,481,803 A * 1/1996 Guthrie A47J 17/02
30/113.1
D397,277 S * 8/1998 Gibbs, Jr. D7/672
D401,813 S * 12/1998 Johnson D7/673
D461,691 S 8/2002 Huang et al.
6,637,684 B1 * 10/2003 Ross A47J 42/14
241/169.1
D508,383 S * 8/2005 Endres D7/673
D568,120 S 5/2008 Peterson
D585,709 S * 2/2009 Peterson D7/693
8,752,482 B2 * 6/2014 Esterman A47J 19/04
241/169.2
D739,689 S * 9/2015 Metaxatos D7/677

* cited by examiner

Primary Examiner — Thomas Johannes

Assistant Examiner — Bryan Reinholdt, Jr.

(74) *Attorney, Agent, or Firm* — Fish & Tsang LLP

(57) **CLAIM**

We claim the ornamental design for a cutting tool, as shown and described.

DESCRIPTION

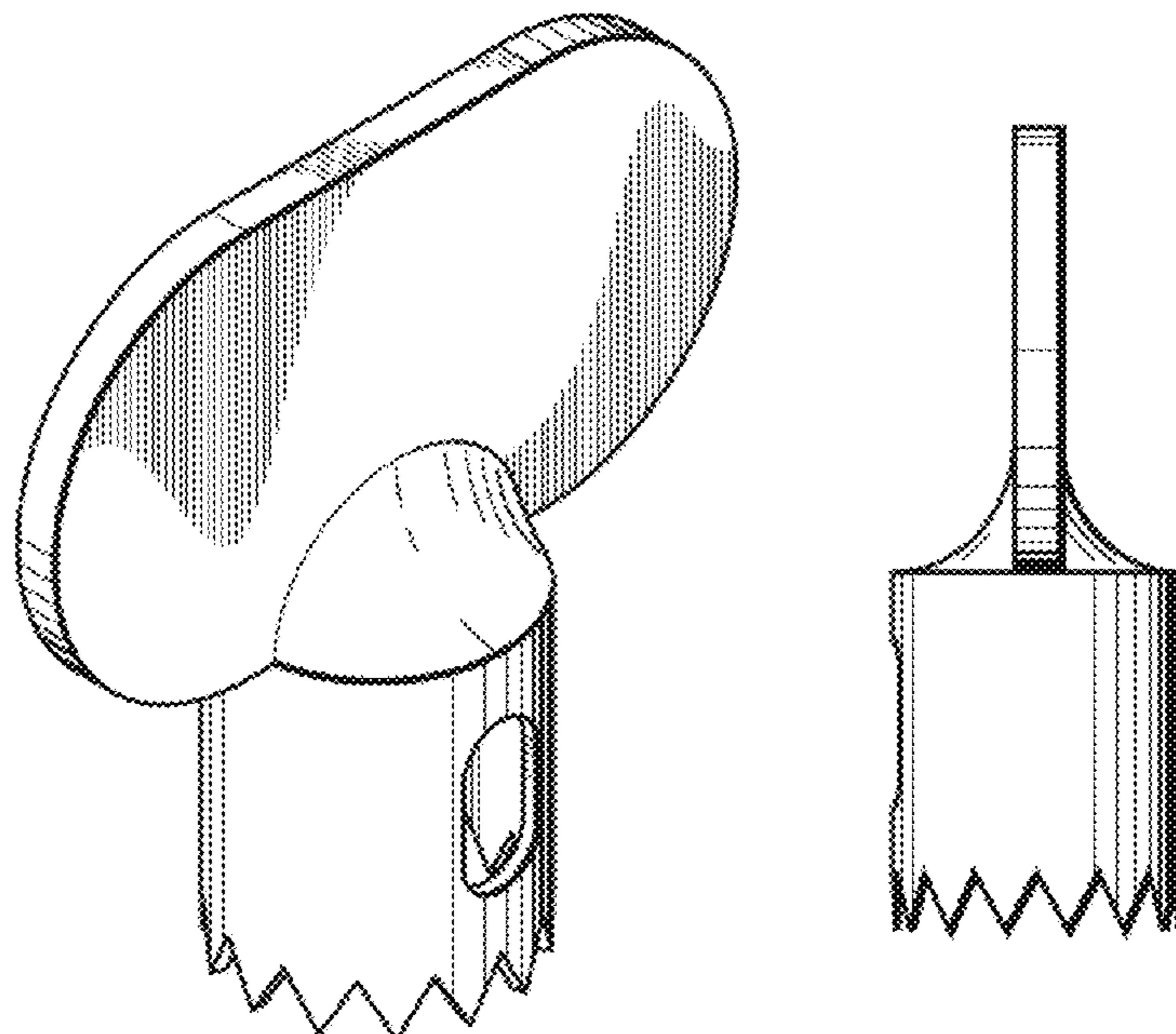
FIG. 1 is a top, front, left side perspective view of a cutting tool.

FIG. 2 is a front elevation view of the cutting tool of FIG. 1, the rear elevation view being identical.

FIG. 3 is a right side elevation view of the cutting tool of FIG. 1, the left side elevation view being identical.

FIG. 4 is a top plan view of the cutting tool of FIG. 1; and, FIG. 5 is a bottom plan view of the cutting tool of FIG. 1.

1 Claim, 1 Drawing Sheet



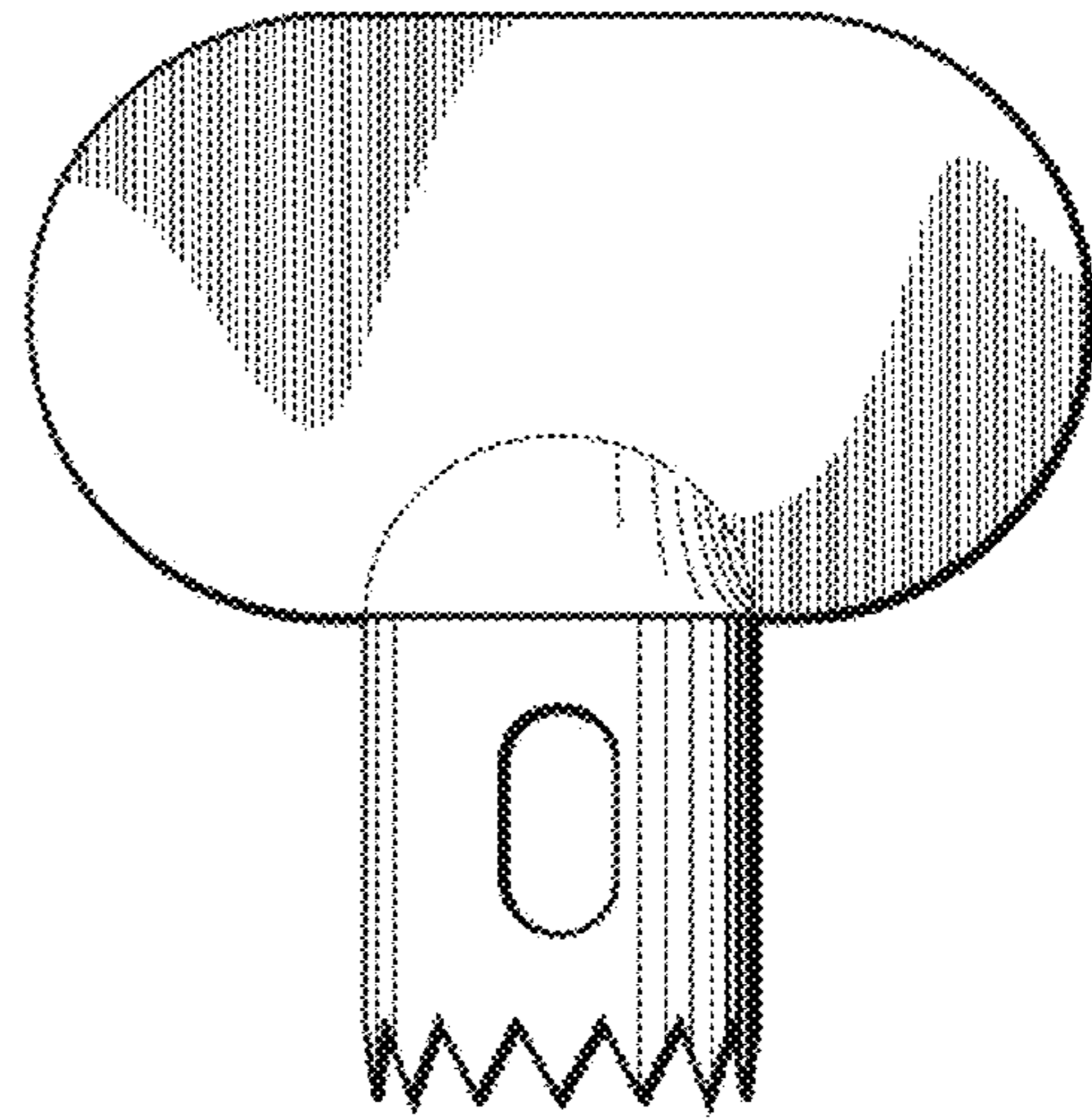
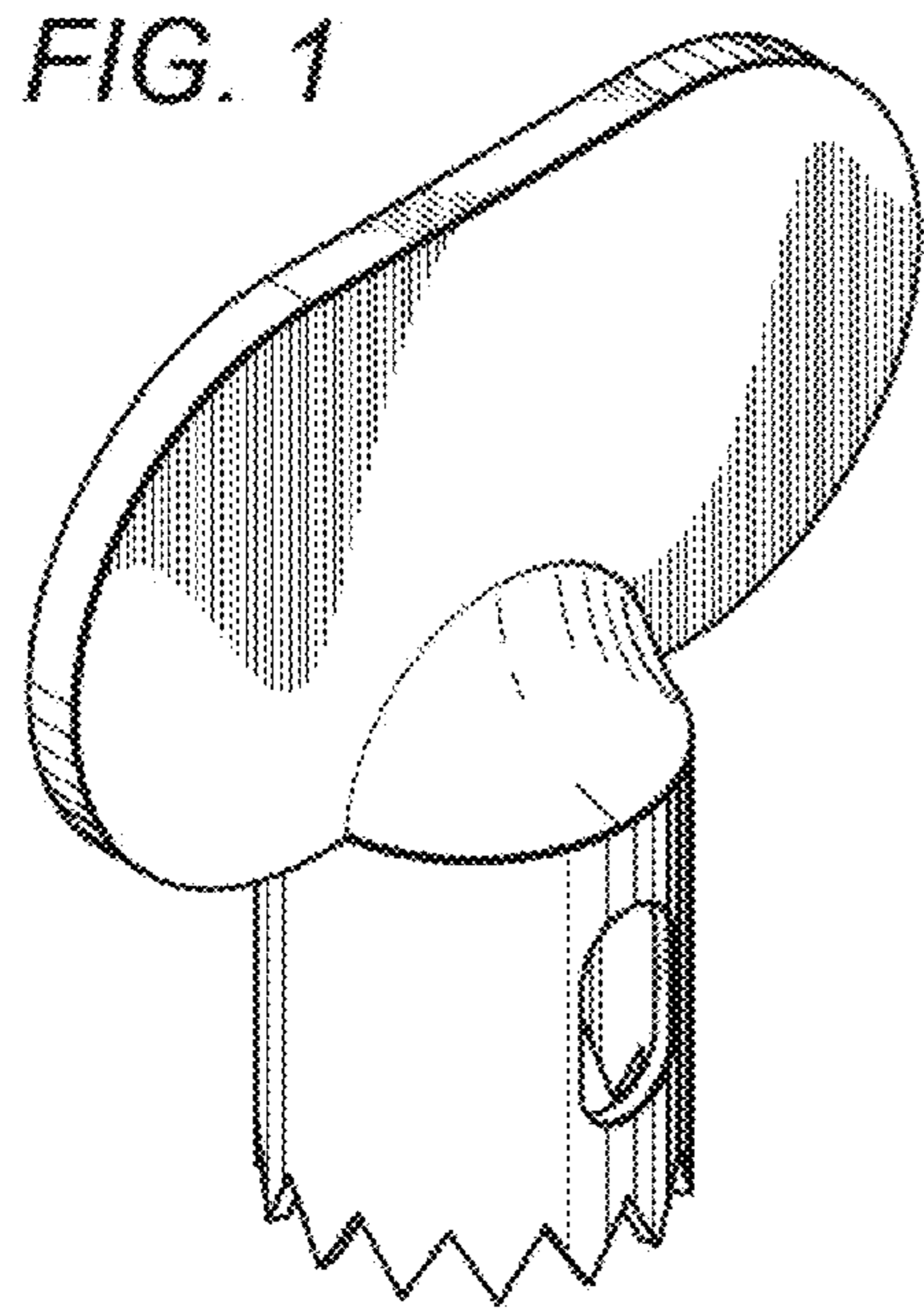


FIG. 2

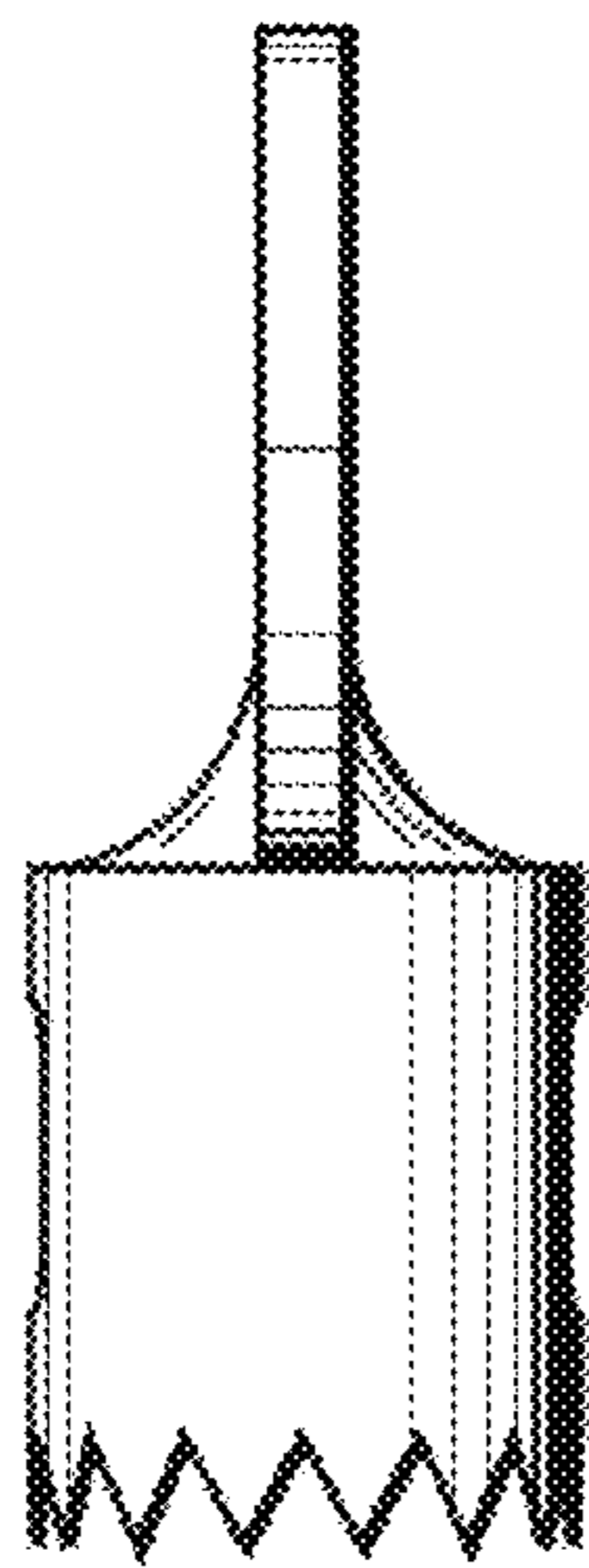


FIG. 3

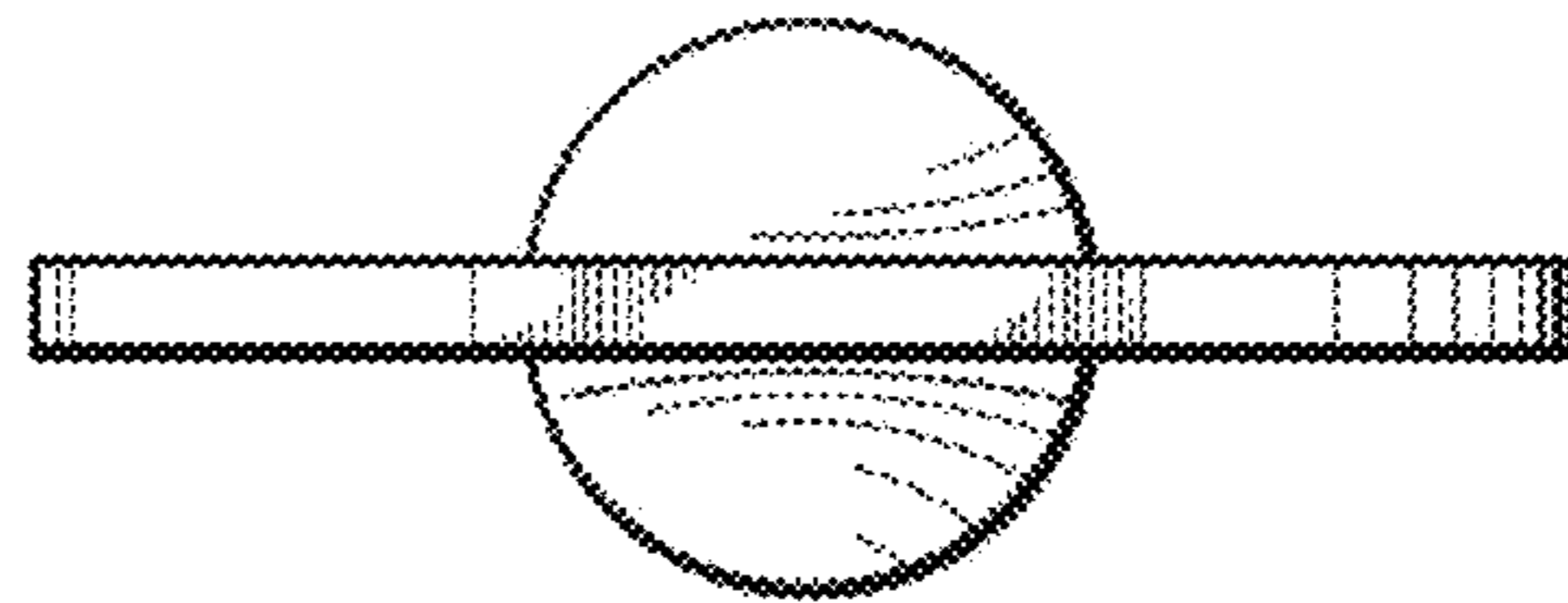


FIG. 4

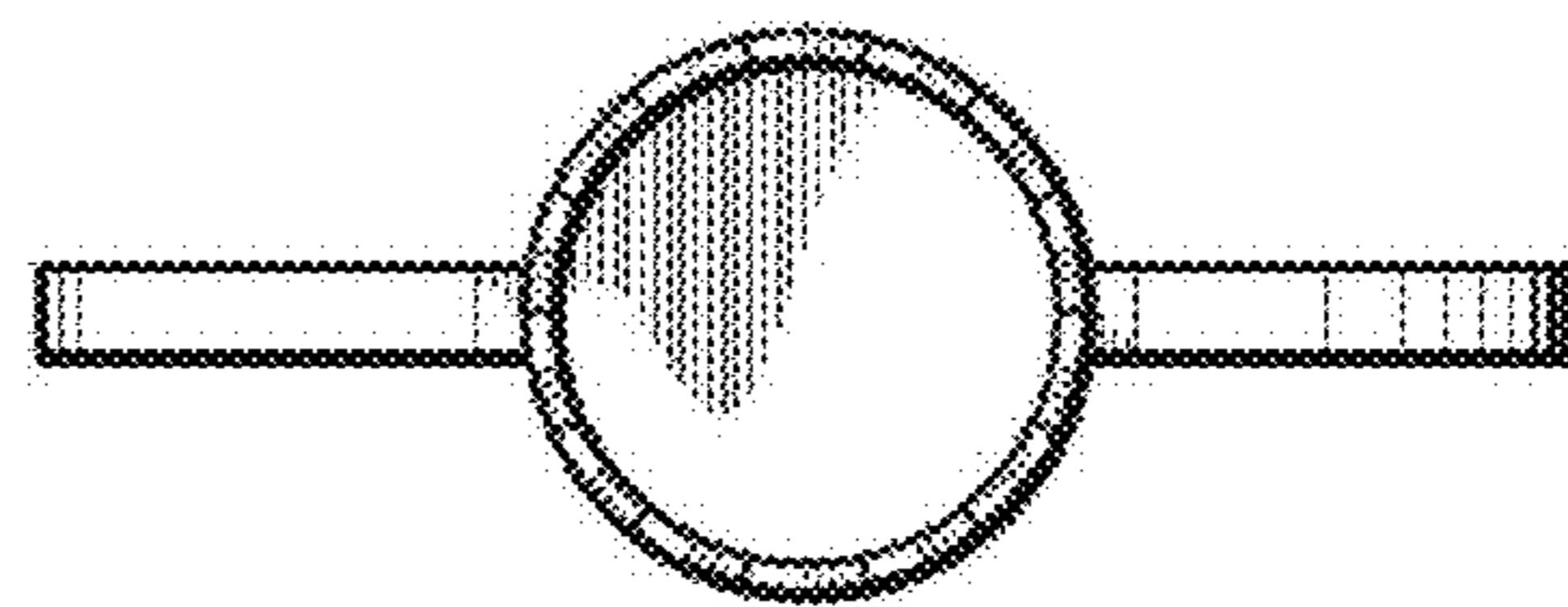


FIG. 5